



US00D689901S

(12) **United States Design Patent**
Edwards et al.

(10) **Patent No.:** **US D689,901 S**

(45) **Date of Patent:** **** Sep. 17, 2013**

(54) **DISPLAY SCREEN WITH AN ANIMATED GRAPHICAL USER INTERFACE**

Primary Examiner — Melanie H Tung

(74) *Attorney, Agent, or Firm* — Banner & Witcoff, Ltd.

(75) Inventors: **Christopher D. Edwards**, Seattle, WA (US); **Teresa Thomas**, Bellevue, WA (US)

(57) **CLAIM**

The ornamental design for a display screen with an animated graphical user interface, as shown and described.

(73) Assignee: **Microsoft Corporation**, Redmond, WA (US)

(**) Term: **14 Years**

DESCRIPTION

(21) Appl. No.: **29/412,708**

FIG. 1 is the first image in a sequence for a display screen with an animated graphical user interface showing our new design;

(22) Filed: **Feb. 7, 2012**

FIG. 2 is the second image thereof;

(51) **LOC (9) Cl.** **14-04**

FIG. 3 is the third image thereof;

(52) **U.S. Cl.**

FIG. 4 is the fourth image thereof;

USPC **D14/488**

FIG. 5 is the fifth image thereof;

(58) **Field of Classification Search**

FIG. 6 is the sixth image thereof;

USPC D14/485–95; D18/24–33; D19/6, D19/52; D20/11; D21/324–33; 715/700–867, 715/973–77

FIG. 7 is the seventh image thereof;

See application file for complete search history.

FIG. 8 is the eighth image thereof;

FIG. 9 is the ninth image thereof;

FIG. 10 is the tenth image thereof;

FIG. 11 is the eleventh image thereof;

FIG. 12 is the twelfth image thereof;

FIG. 13 is the thirteenth image thereof;

FIG. 14 is the fourteenth image thereof;

FIG. 15 is the fifteenth image thereof;

FIG. 16 is the sixteenth image thereof;

FIG. 17 is the seventeenth image thereof;

FIG. 18 is the eighteenth image thereof;

FIG. 19 is the nineteenth image thereof;

FIG. 20 is the twentieth image thereof;

FIG. 21 is the twenty first image thereof; and,

FIG. 22 is the twenty second image thereof.

The appearance of an animated graphical user interface sequentially transitions between the images shown in FIGS.

1-22. The process or period in which one image transitions to another forms no part of the claimed design. The broken line showing of the display screen is for environmental purposes only and forms no part of the claimed design.

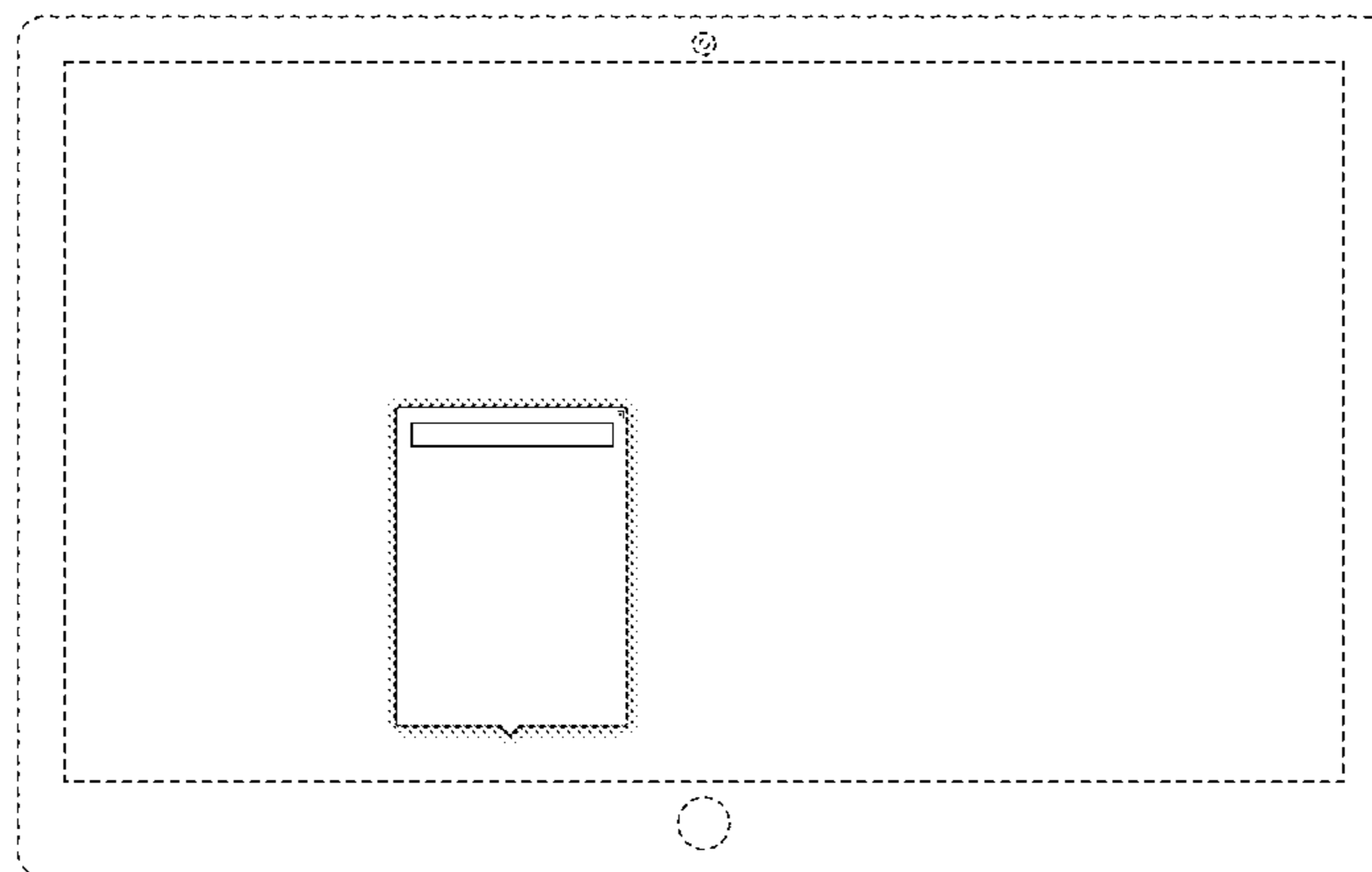
(56) **References Cited**

U.S. PATENT DOCUMENTS

D298,144	S	*	10/1988	Wells-Papanek et al.	...	D14/489
5,428,733	A	*	6/1995	Carr	715/809
D450,059	S	*	11/2001	Itou	D14/489
D555,661	S	*	11/2007	Kim	D14/486
D607,001	S	*	12/2009	Ording	D14/486
D613,299	S	*	4/2010	Owen et al.	D14/486
D614,196	S	*	4/2010	Guntaur et al.	D14/486
D619,613	S	*	7/2010	Dunn	D14/488
D621,413	S	*	8/2010	Rasmussen	D14/489
D626,133	S	*	10/2010	Murphy et al.	D14/485
D638,025	S	*	5/2011	Saft et al.	D14/486
D643,044	S	*	8/2011	Ording	D14/486
D664,977	S	*	8/2012	Everingham	D14/487
D665,397	S	*	8/2012	Naranjo et al.	D14/486
D670,722	S	*	11/2012	Yang et al.	D14/486
D672,362	S	*	12/2012	Zurawski et al.	D14/485
D677,677	S	*	3/2013	Edwards	D14/485

(Continued)

1 Claim, 22 Drawing Sheets



(56)

References Cited

D683,354 S * 5/2013 Perry et al. D14/486
D683,355 S * 5/2013 Ridl et al. D14/486

U.S. PATENT DOCUMENTS

D680,125 S * 4/2013 Chaudhri et al. D14/486
D682,309 S * 5/2013 Steele et al. D14/489 * cited by examiner

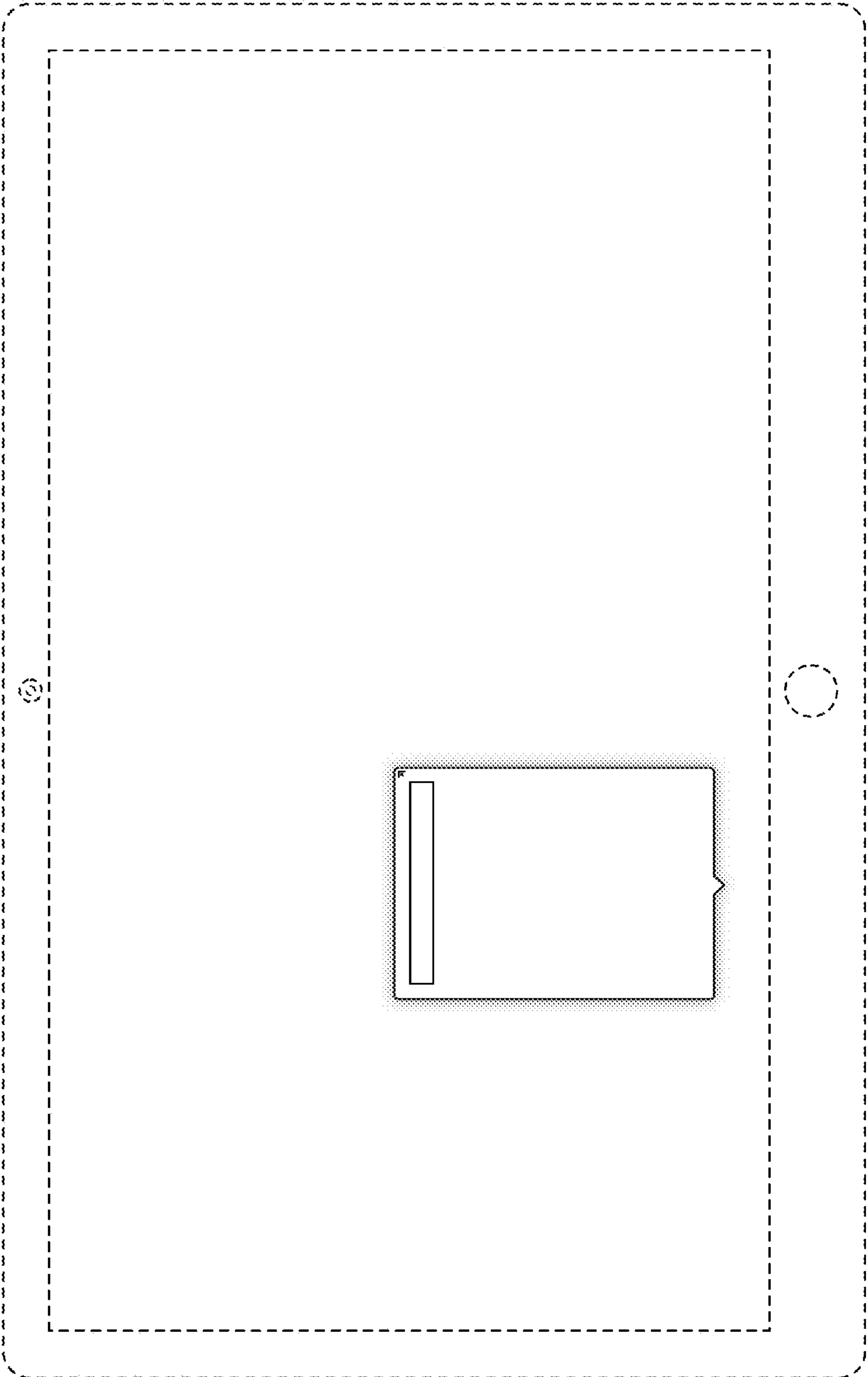


FIG. 1

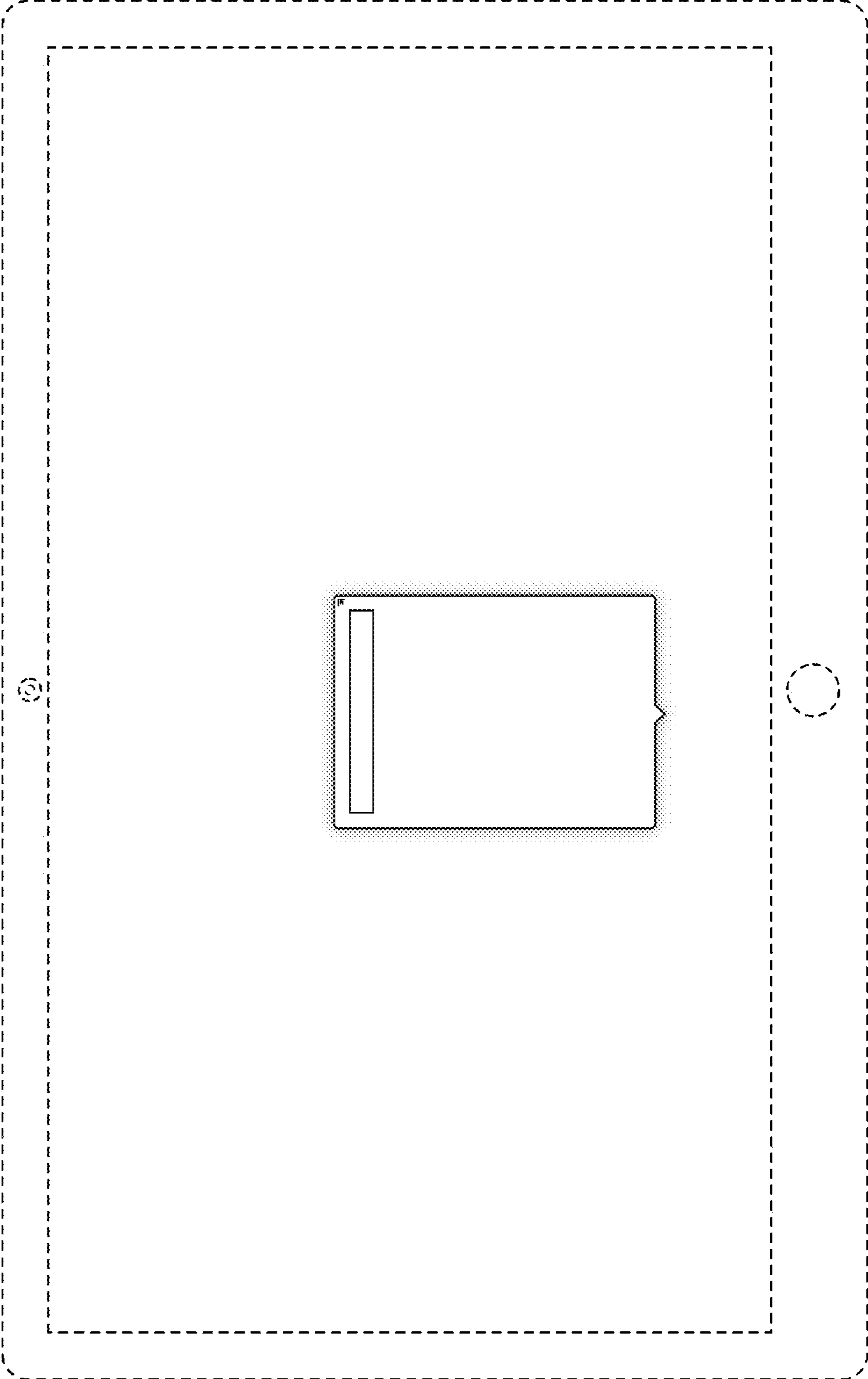


FIG. 2

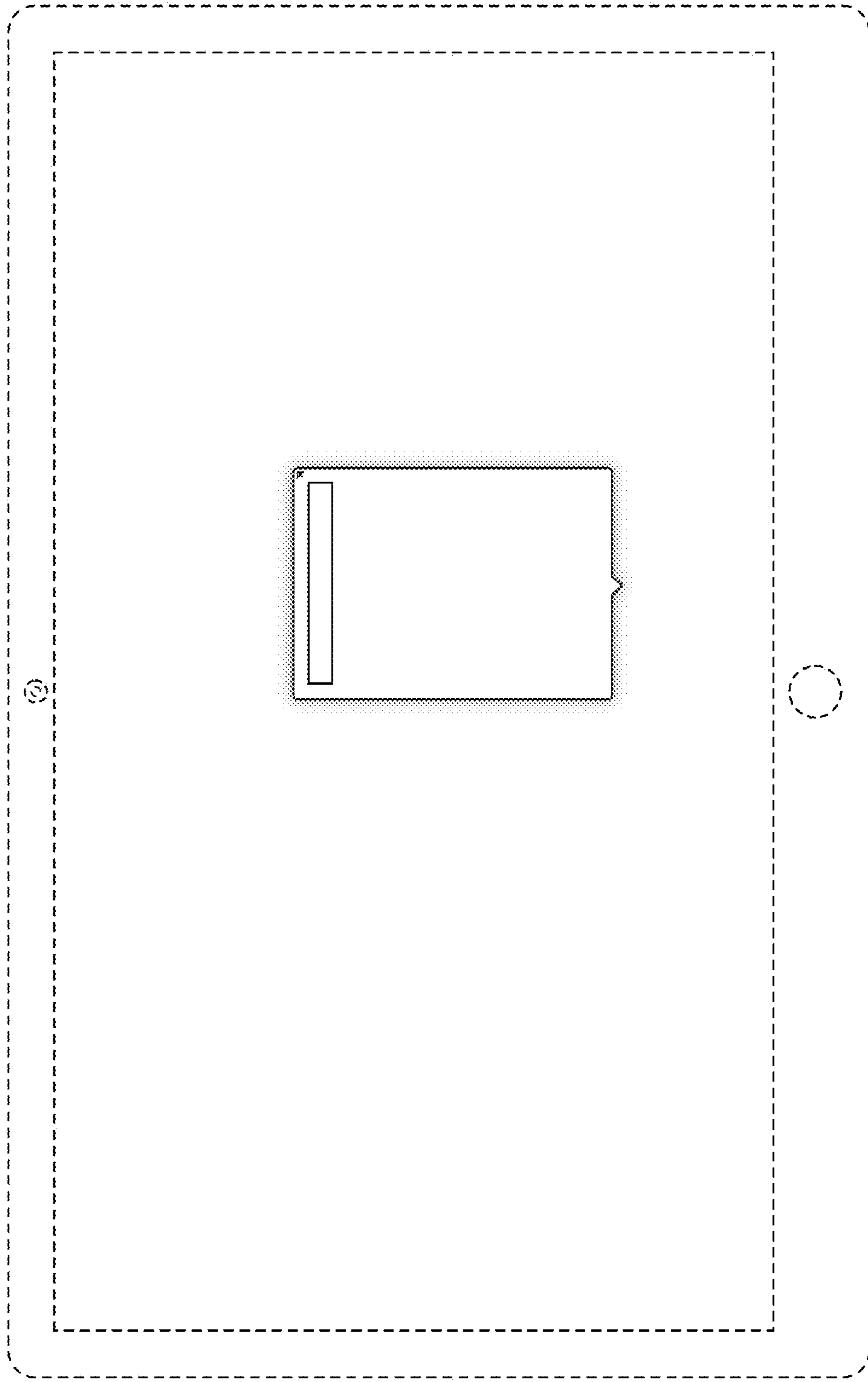


FIG. 3

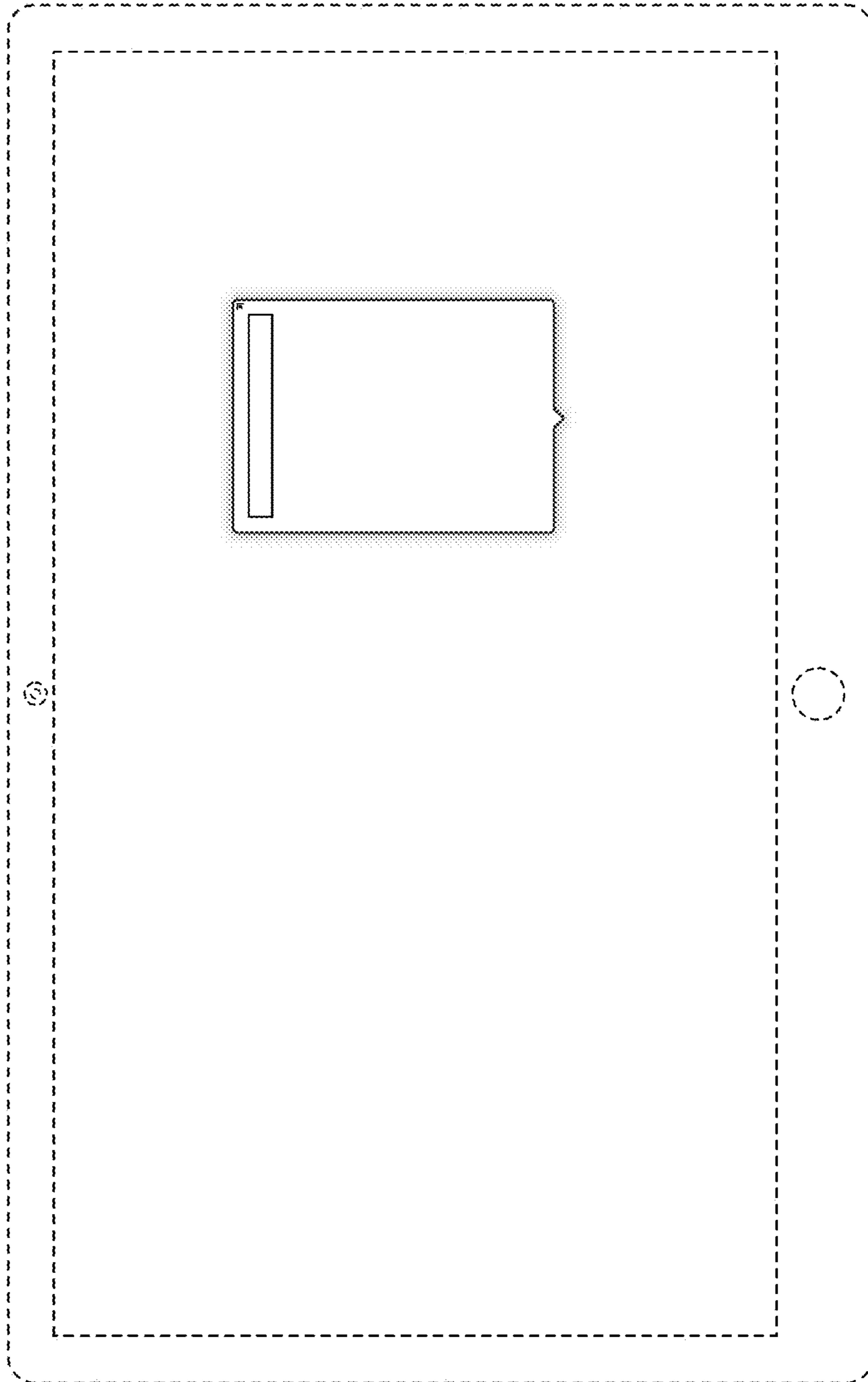


FIG. 4

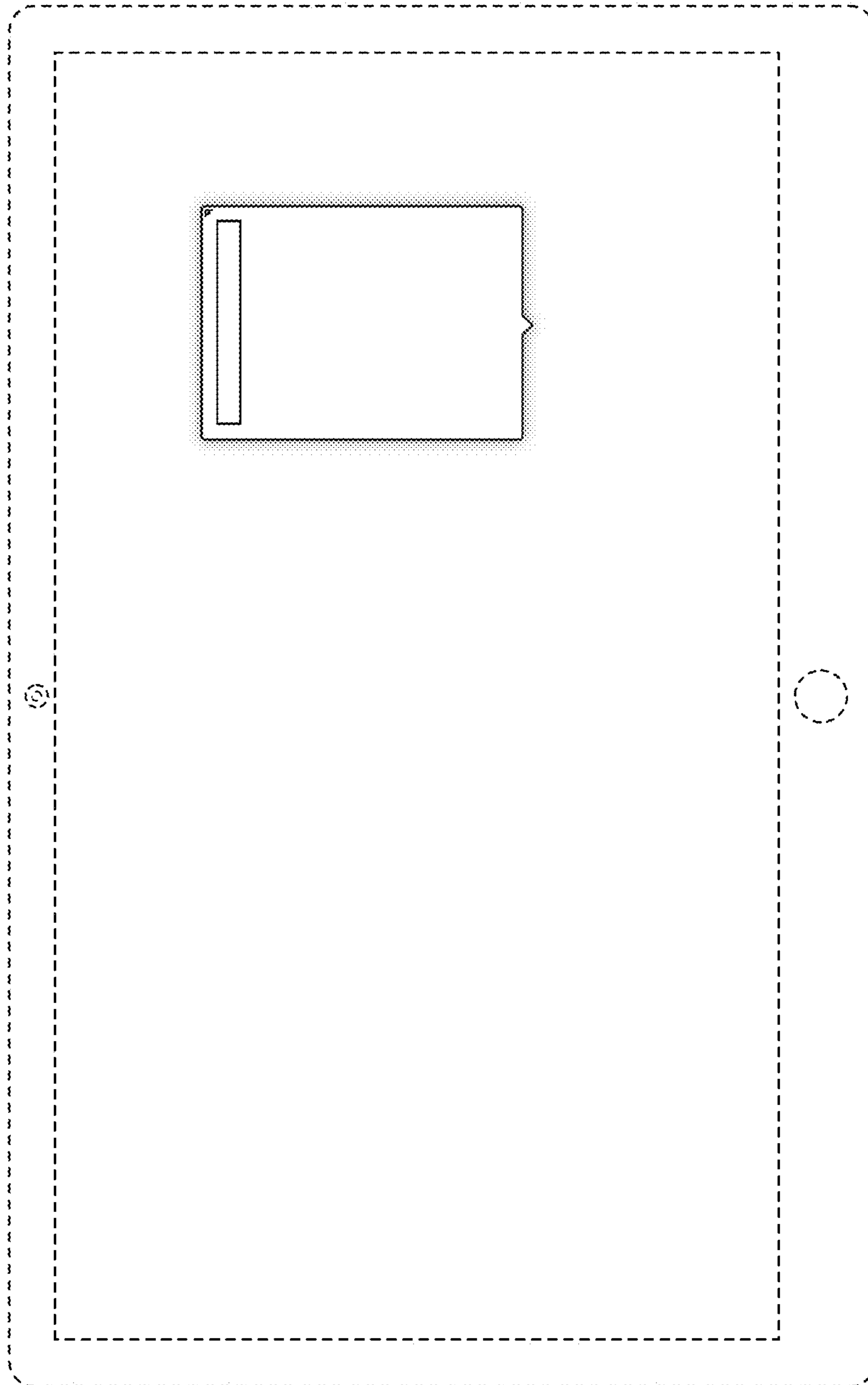


FIG. 5

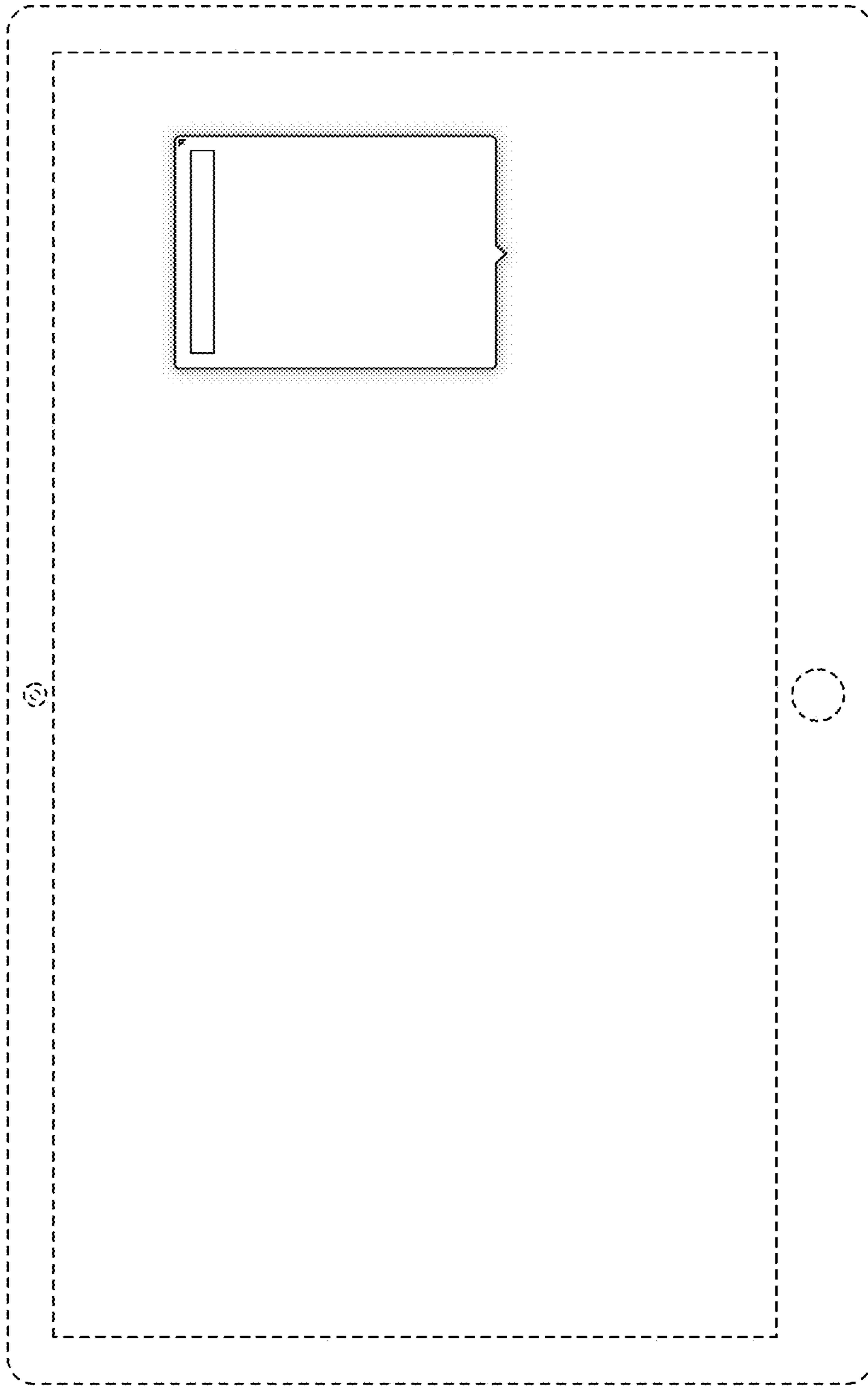
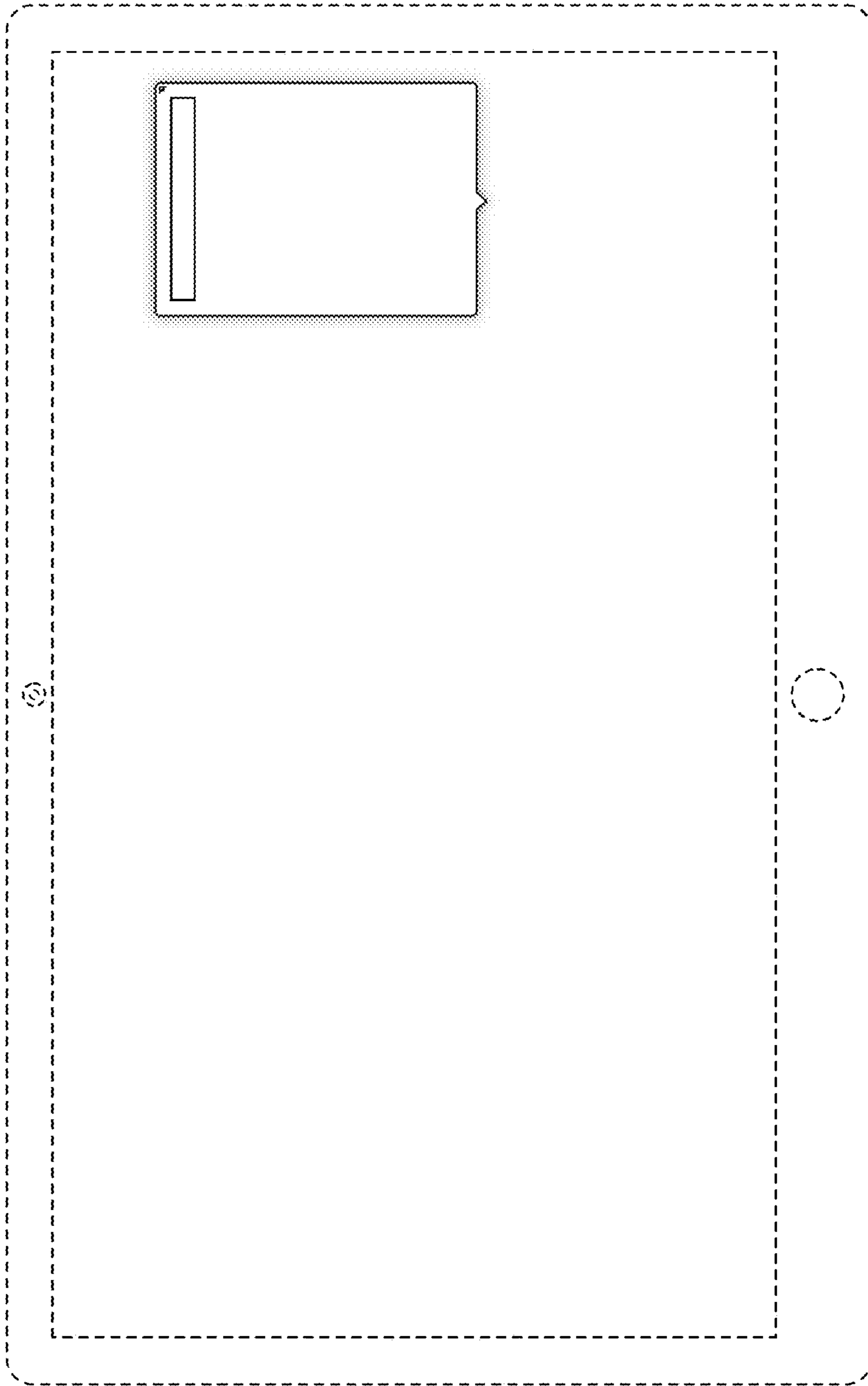


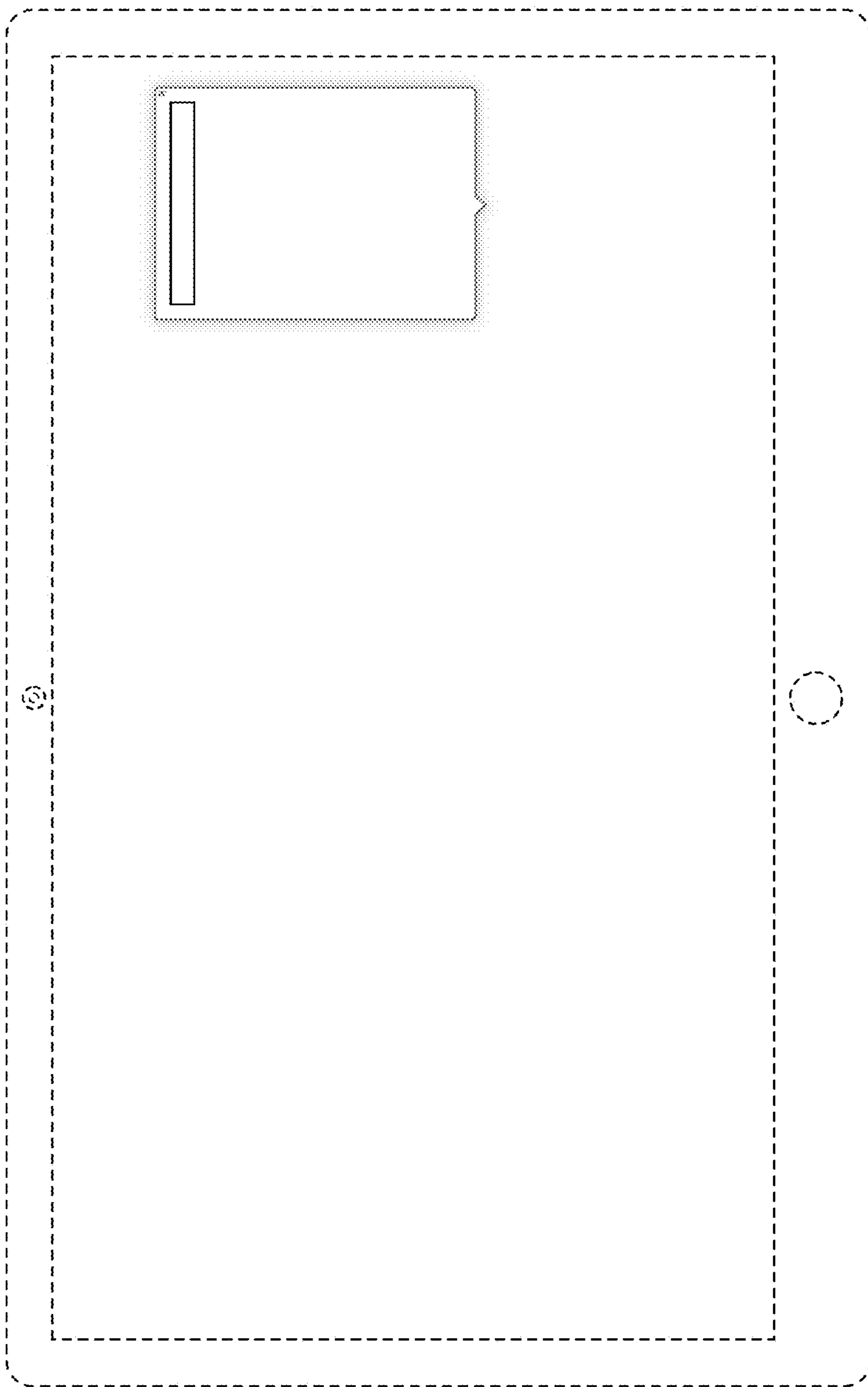
FIG. 6



②

○

FIG. 7



②



FIG. 8

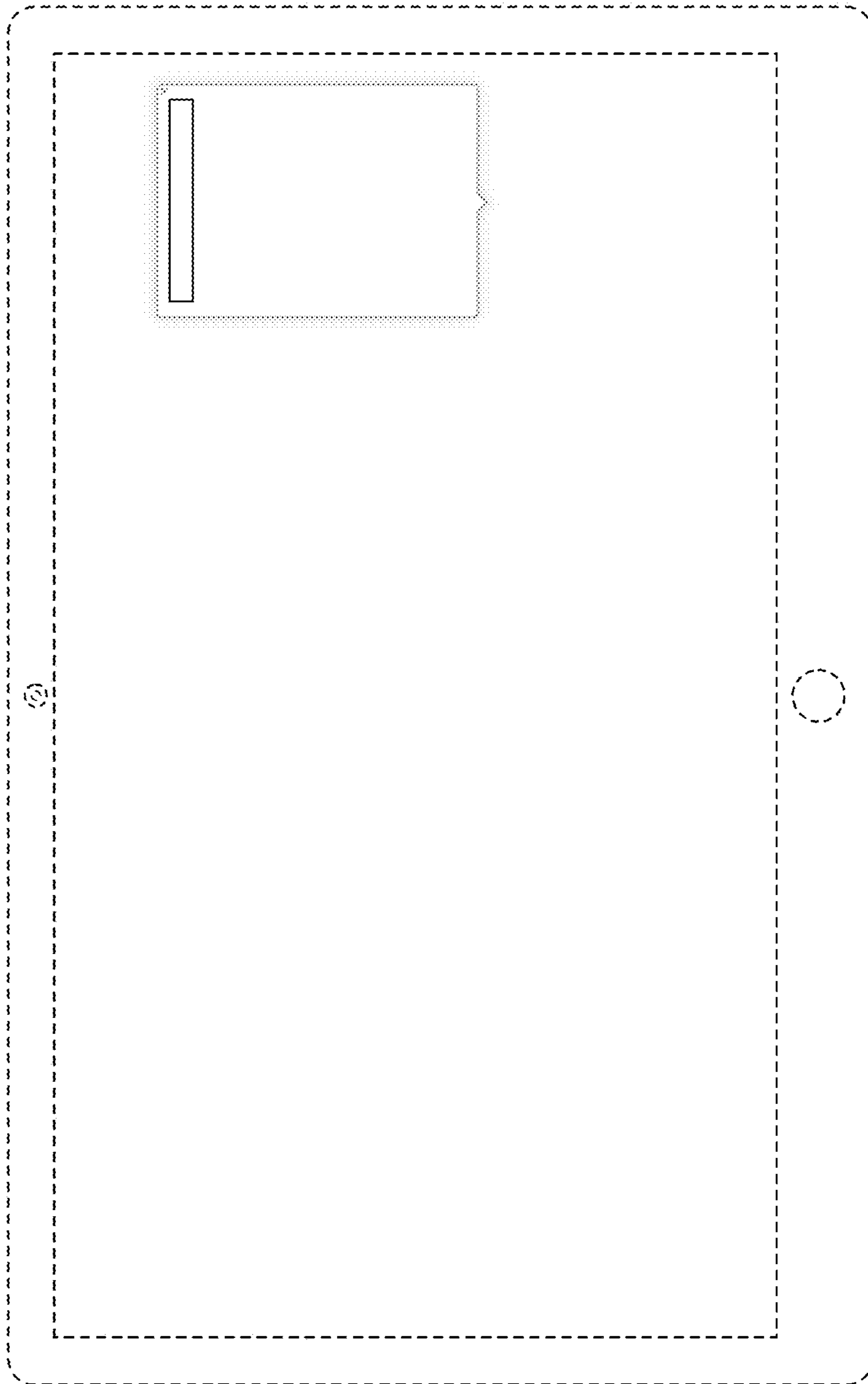


FIG. 9

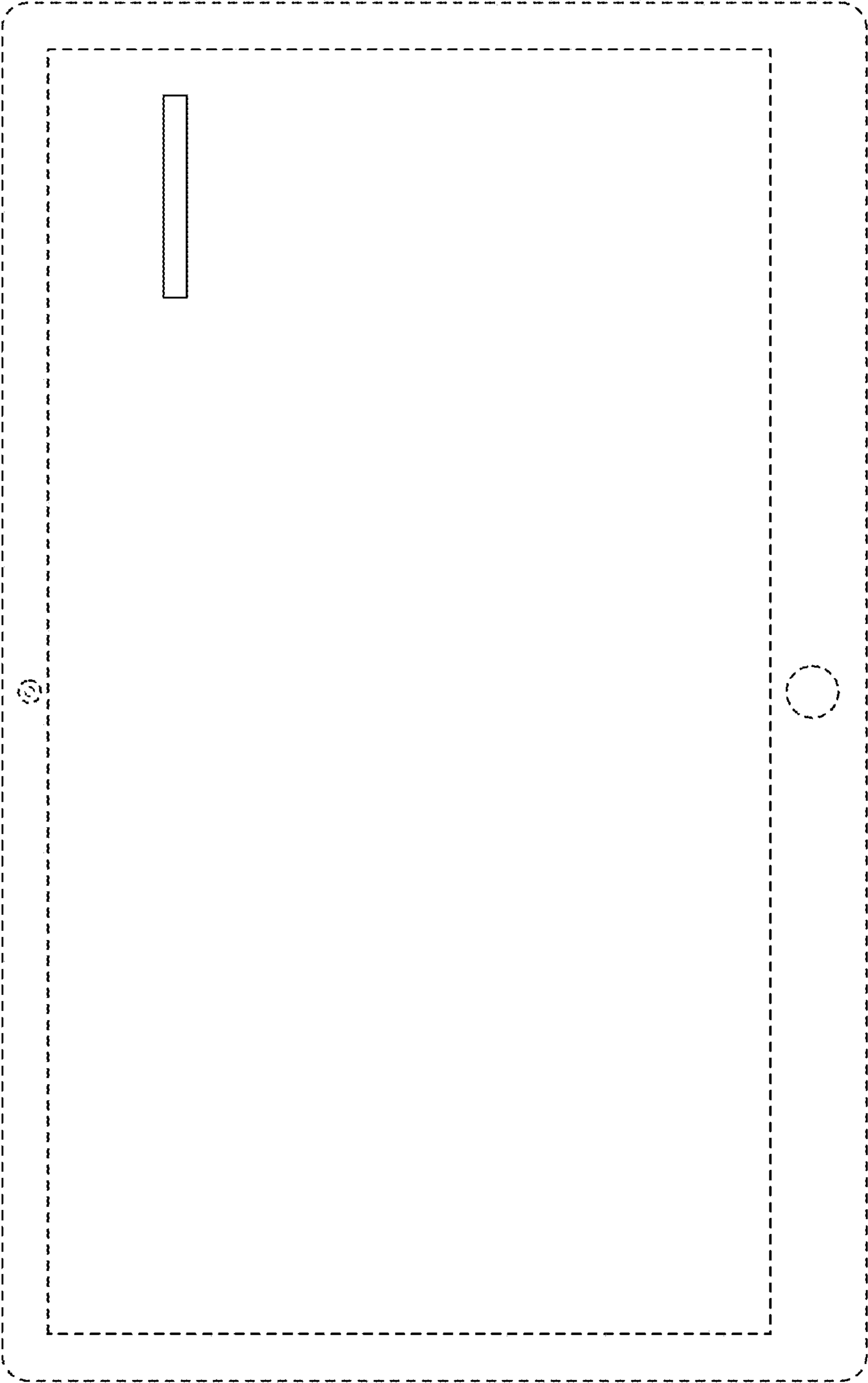


FIG. 10

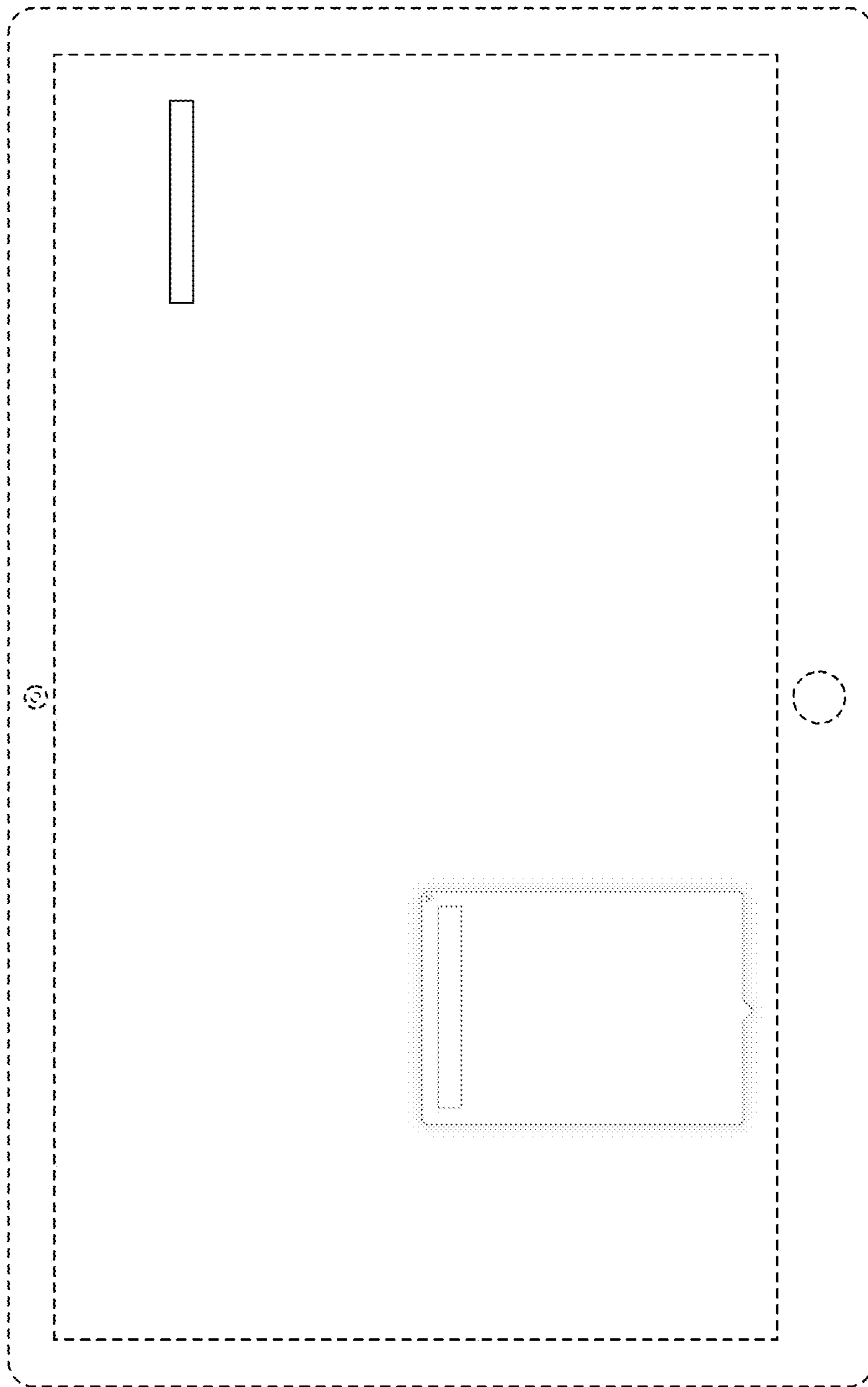
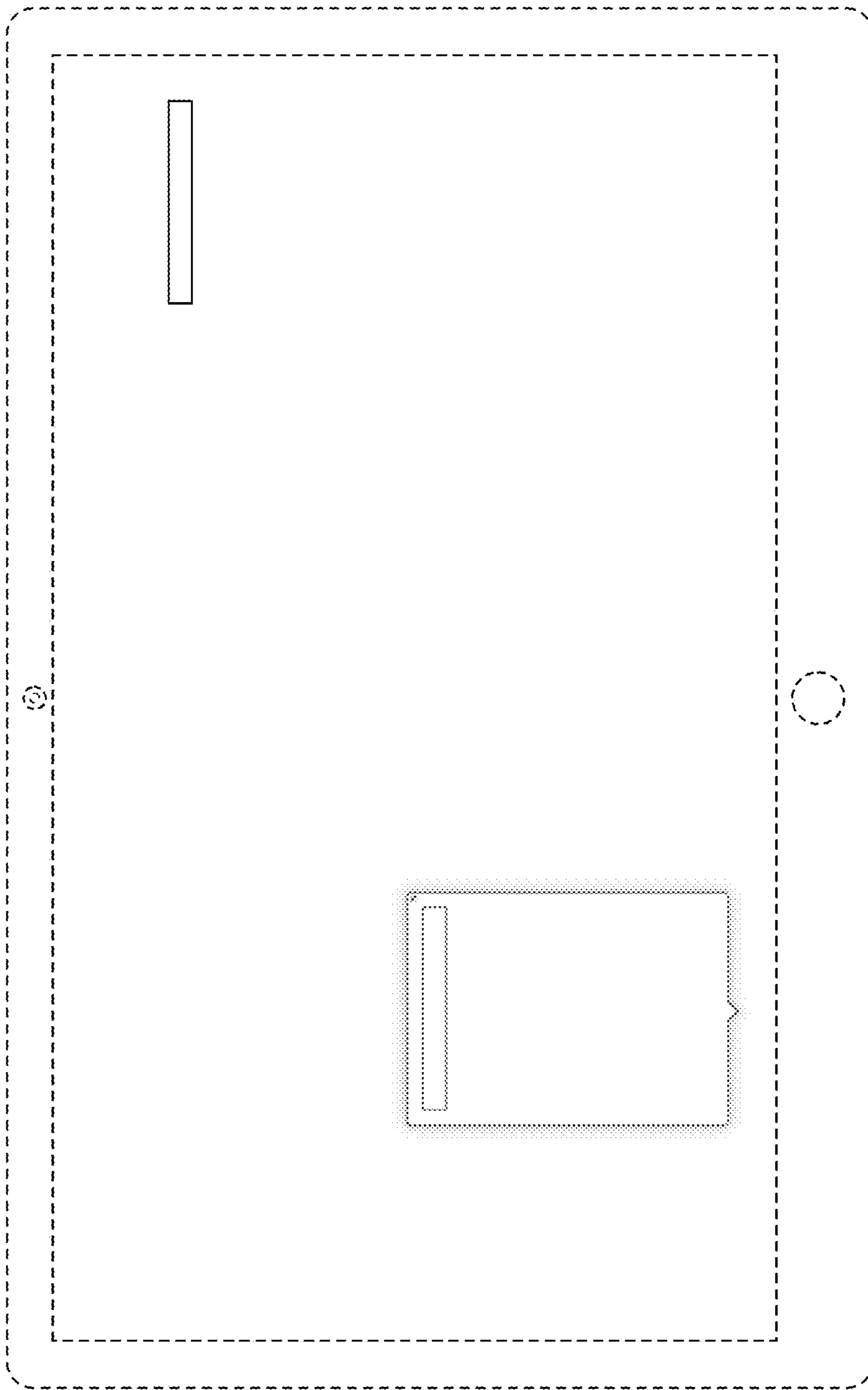


FIG. 11



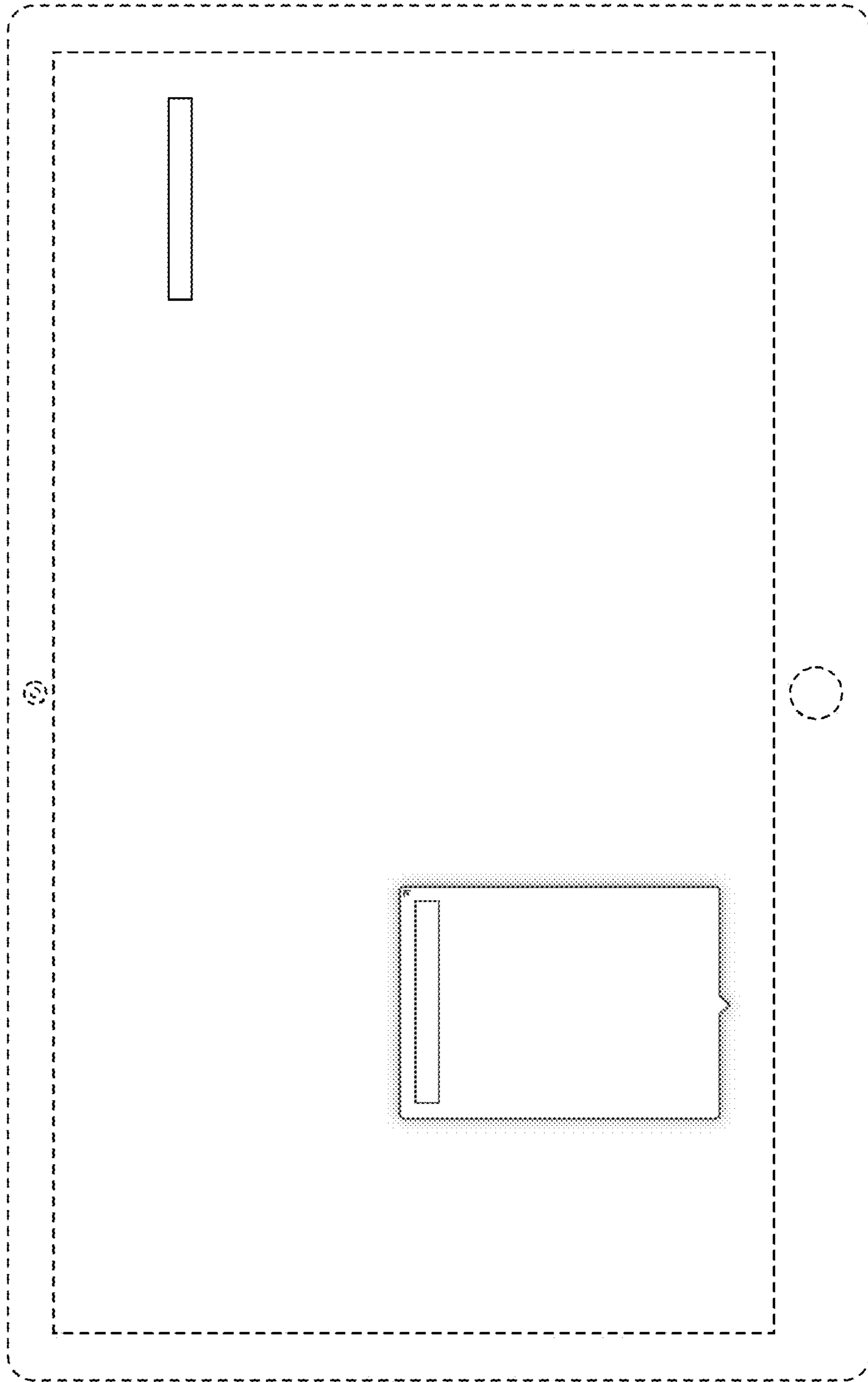


FIG. 13

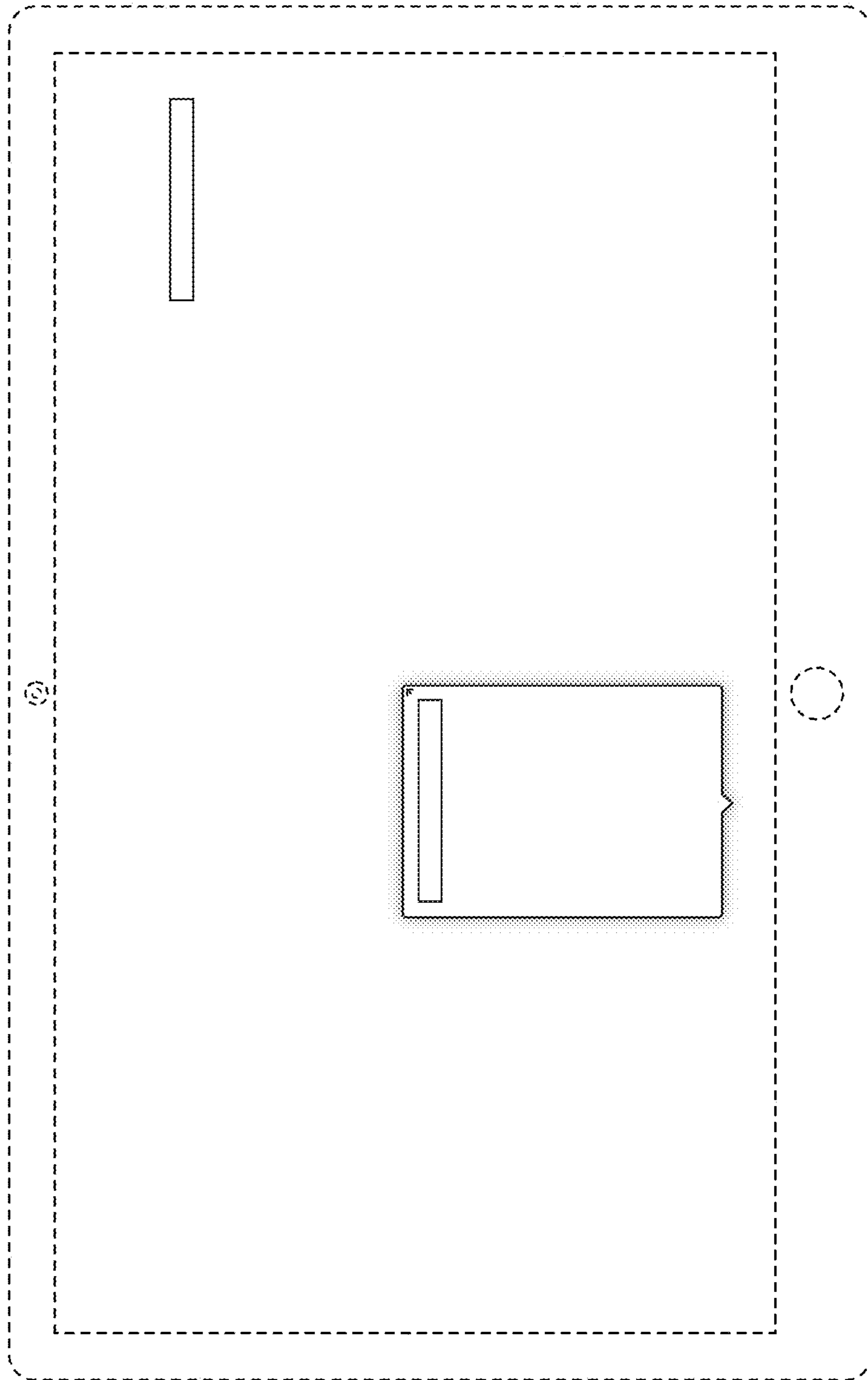


FIG. 14

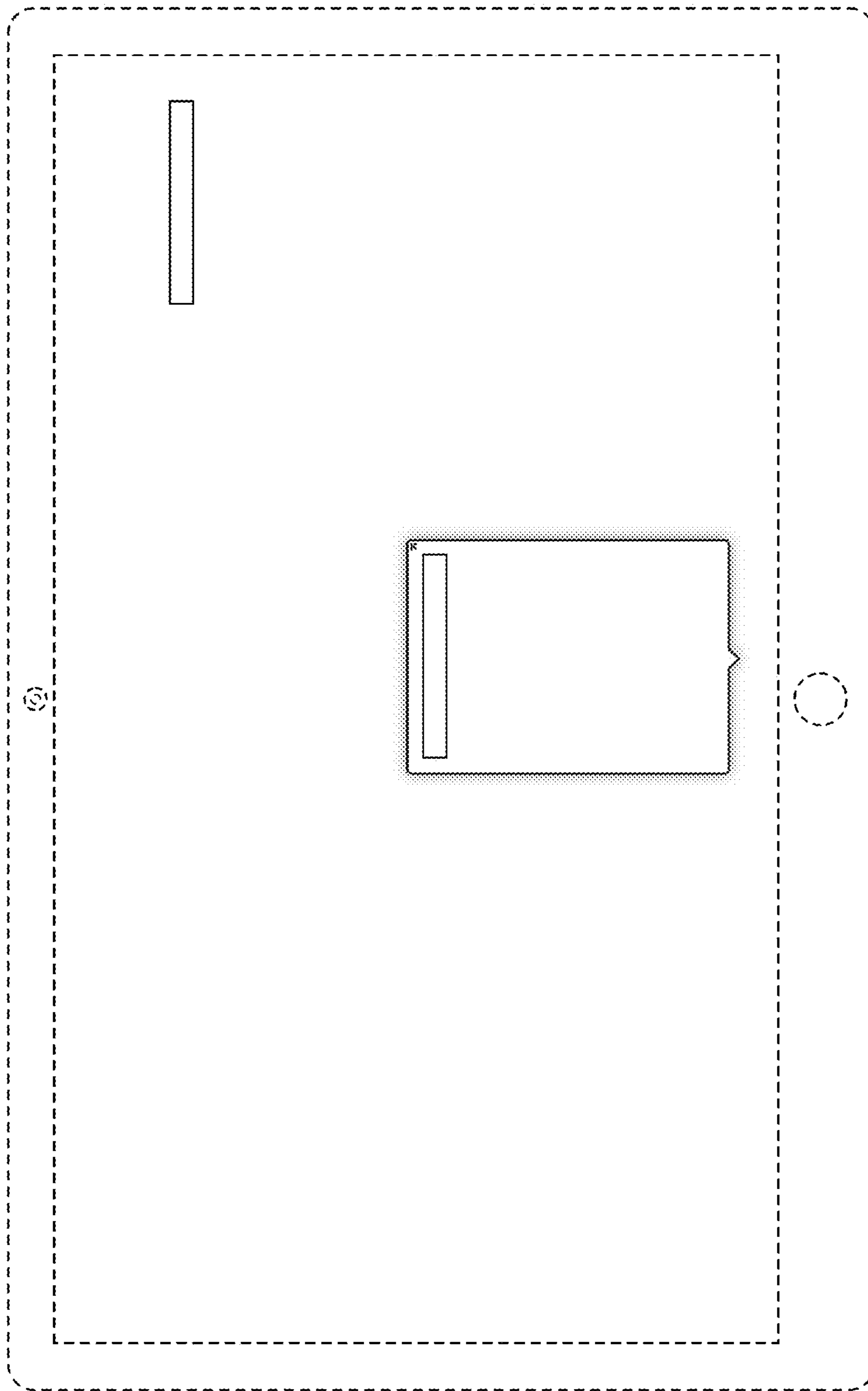


FIG. 15

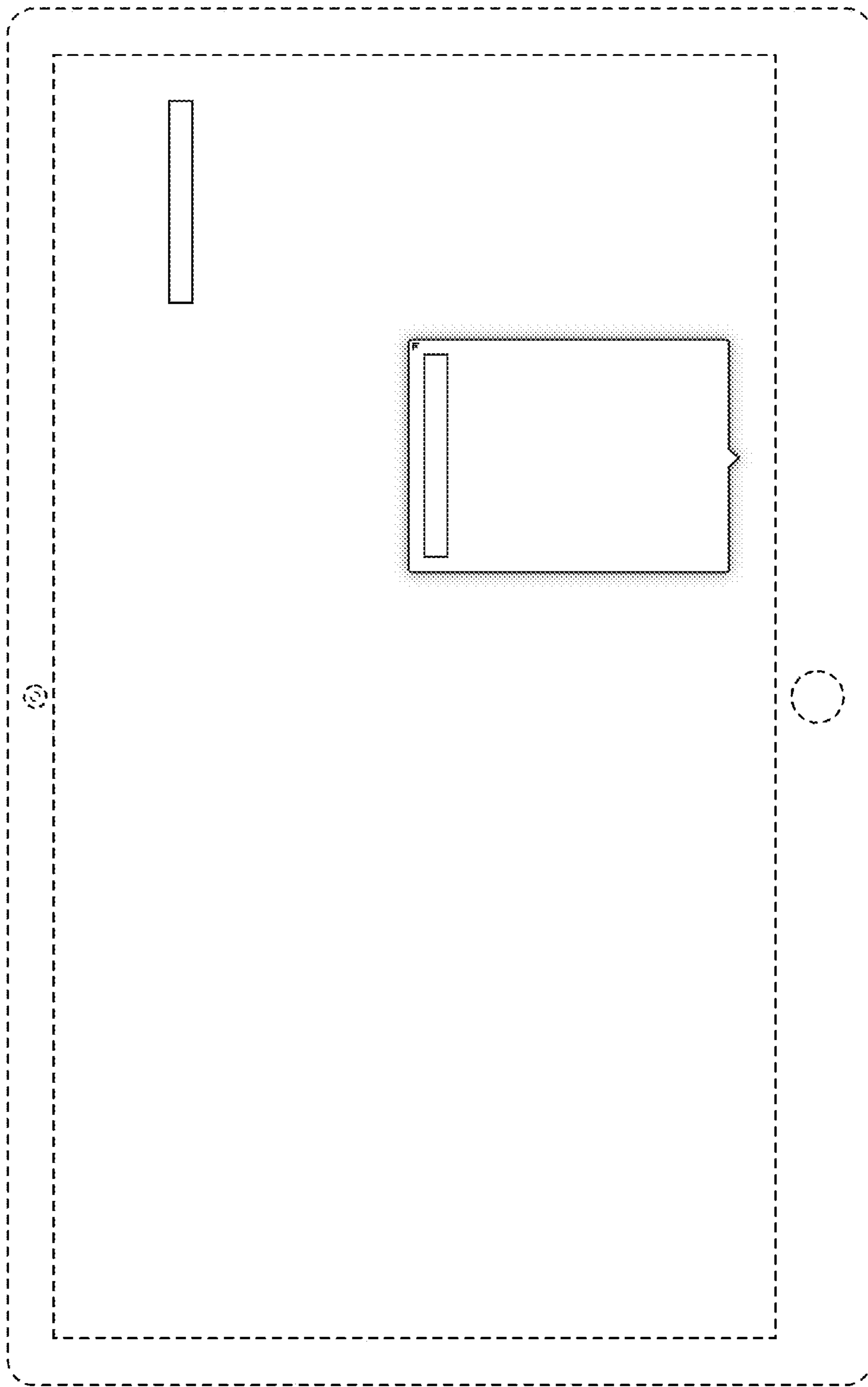


FIG. 16

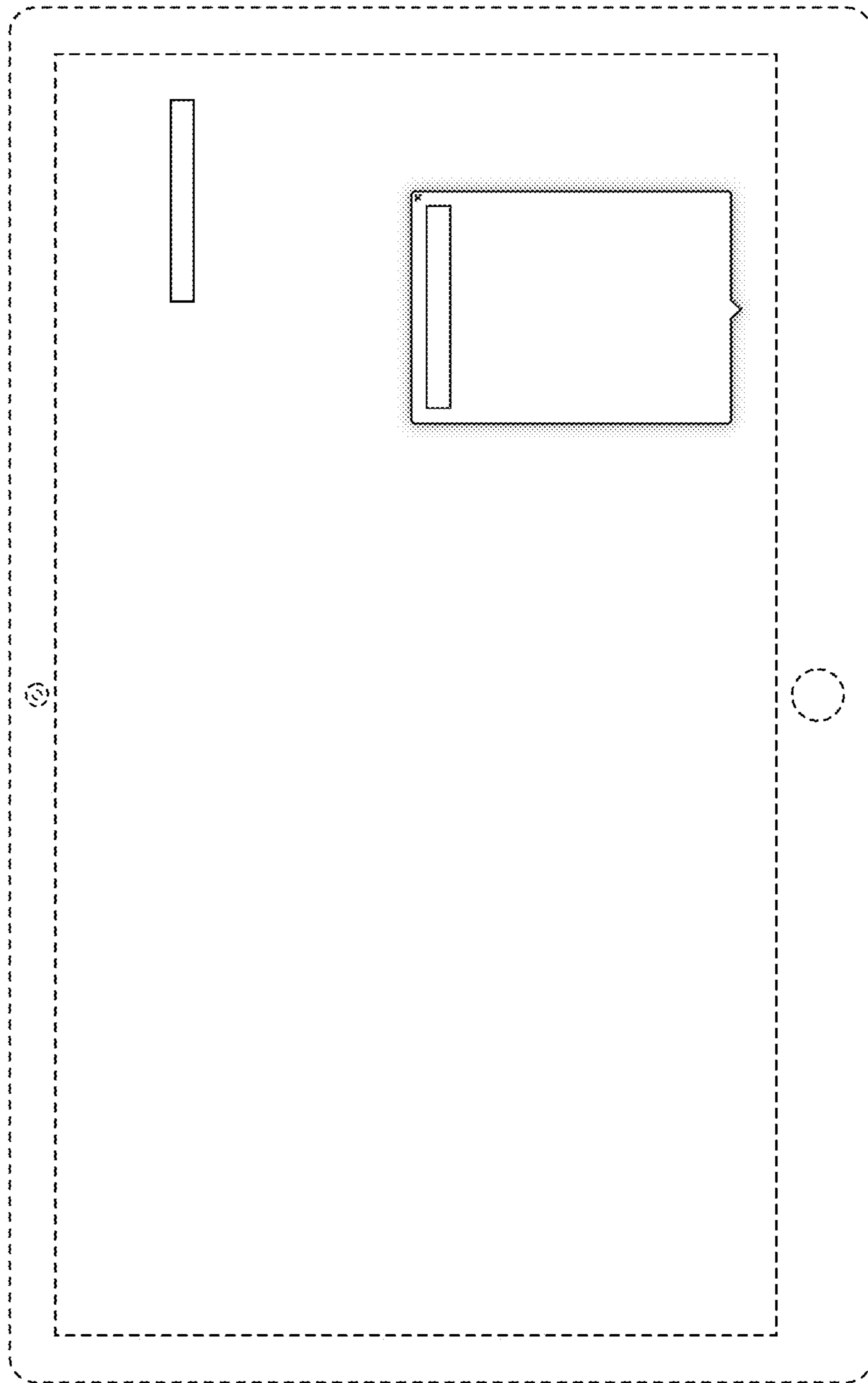


FIG. 17

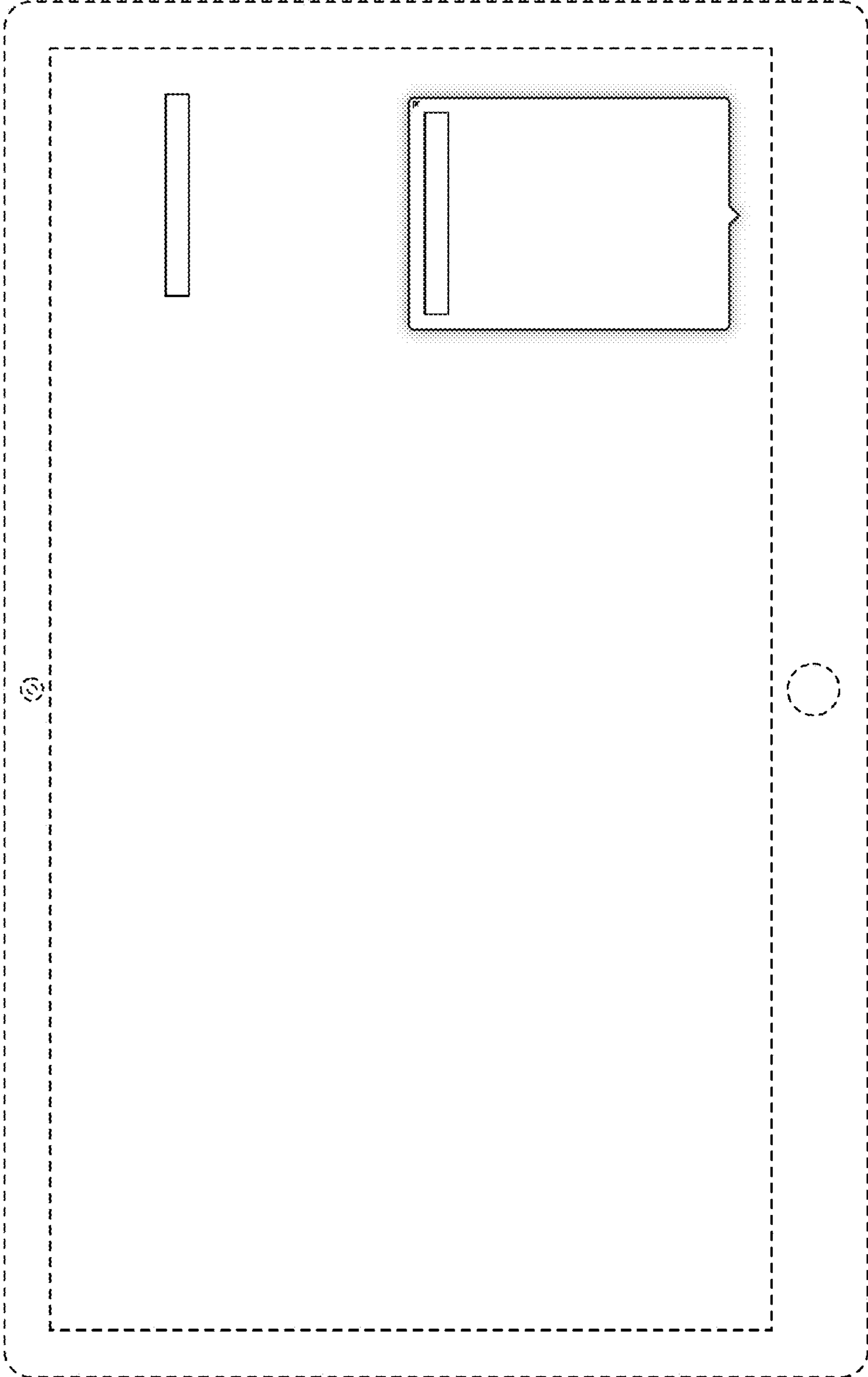


FIG. 18

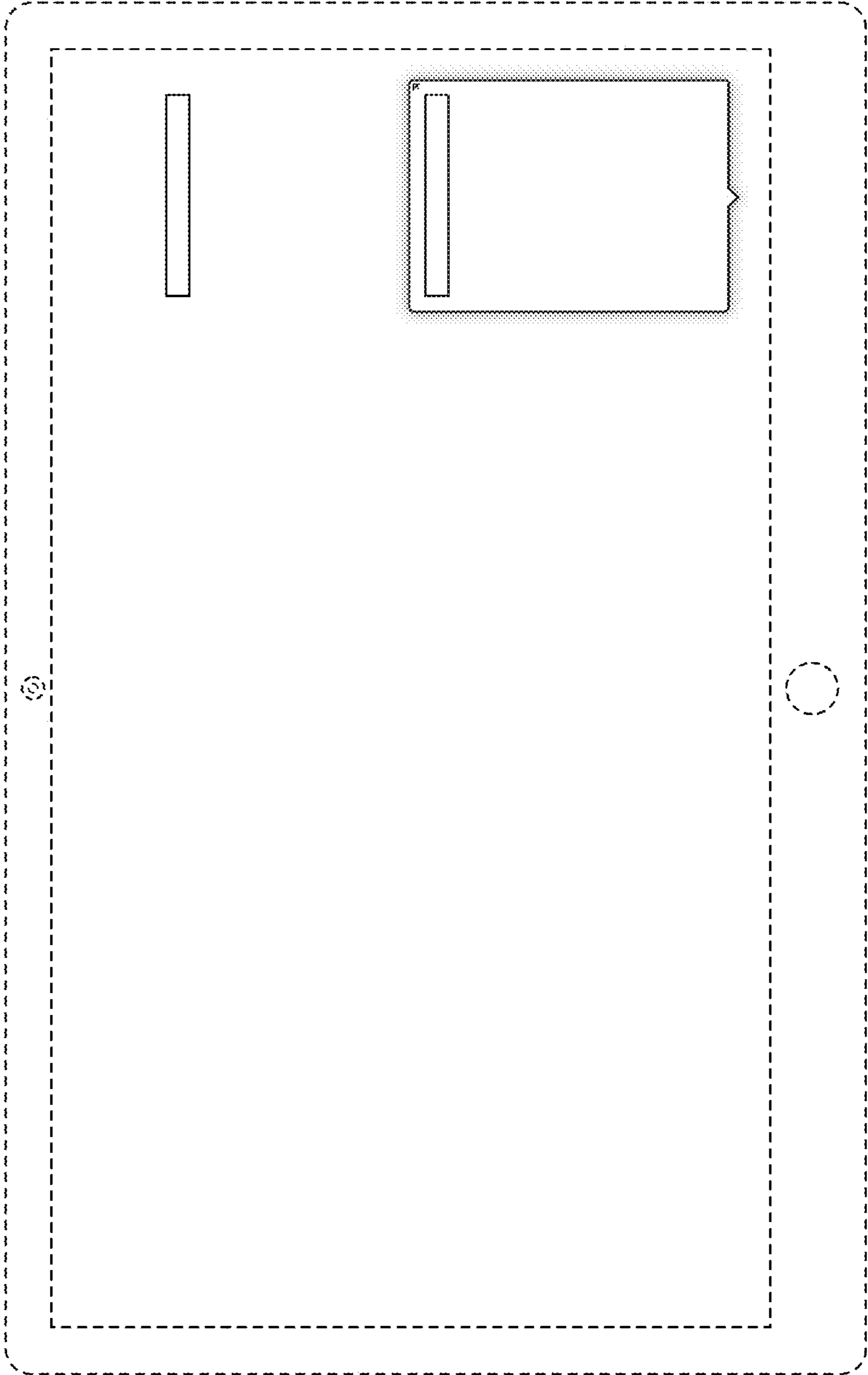


FIG. 19

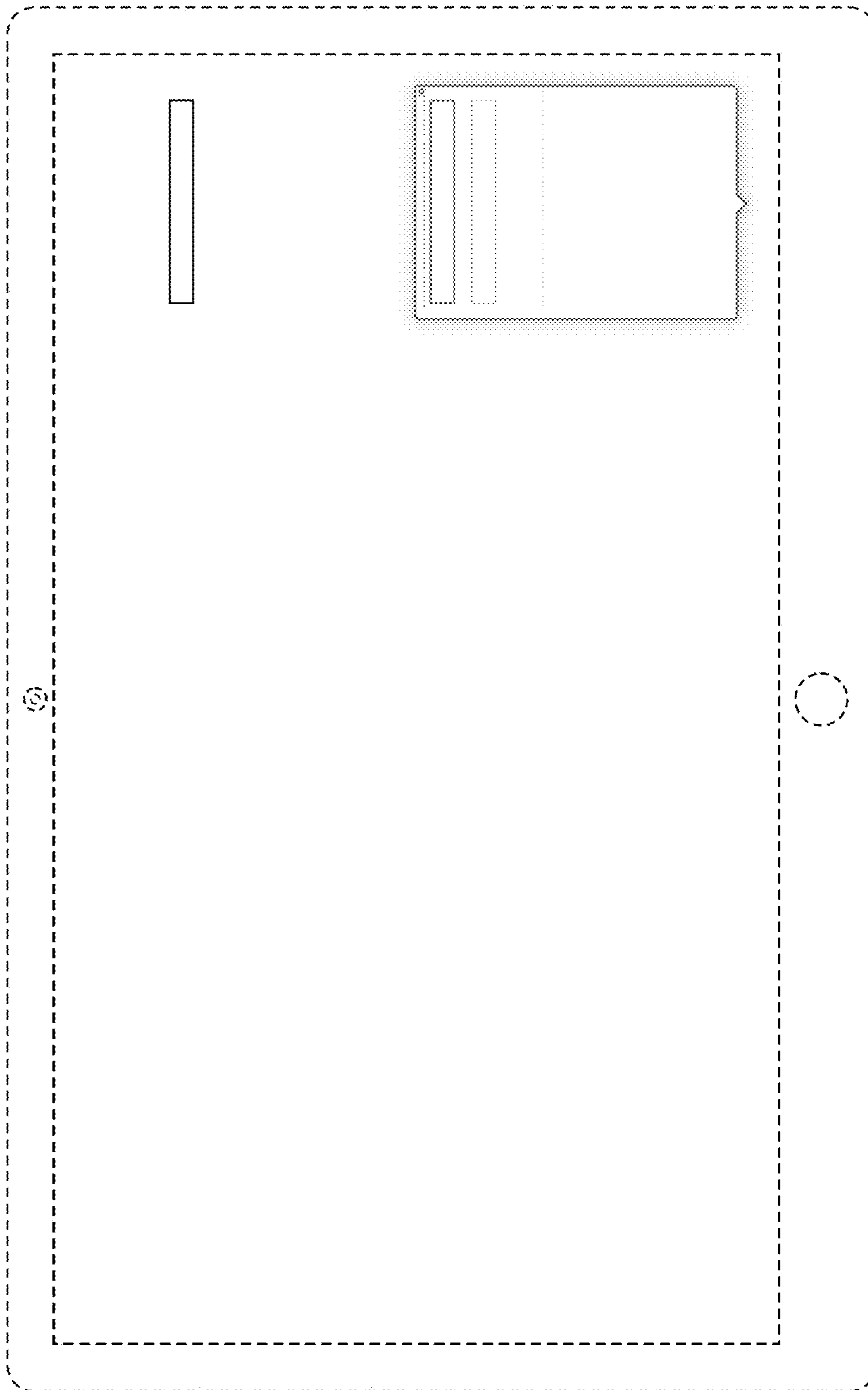


FIG. 20

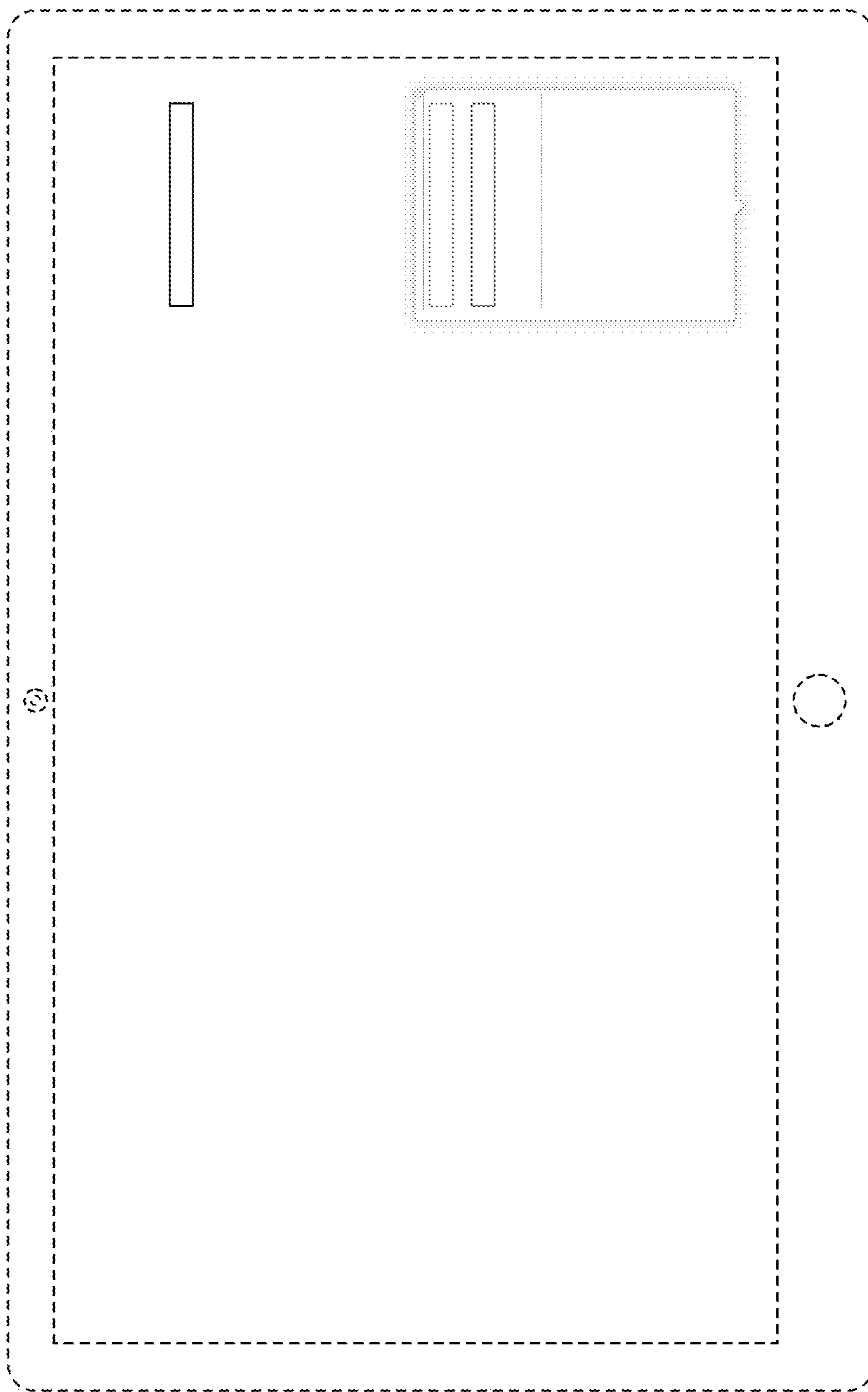


FIG. 21

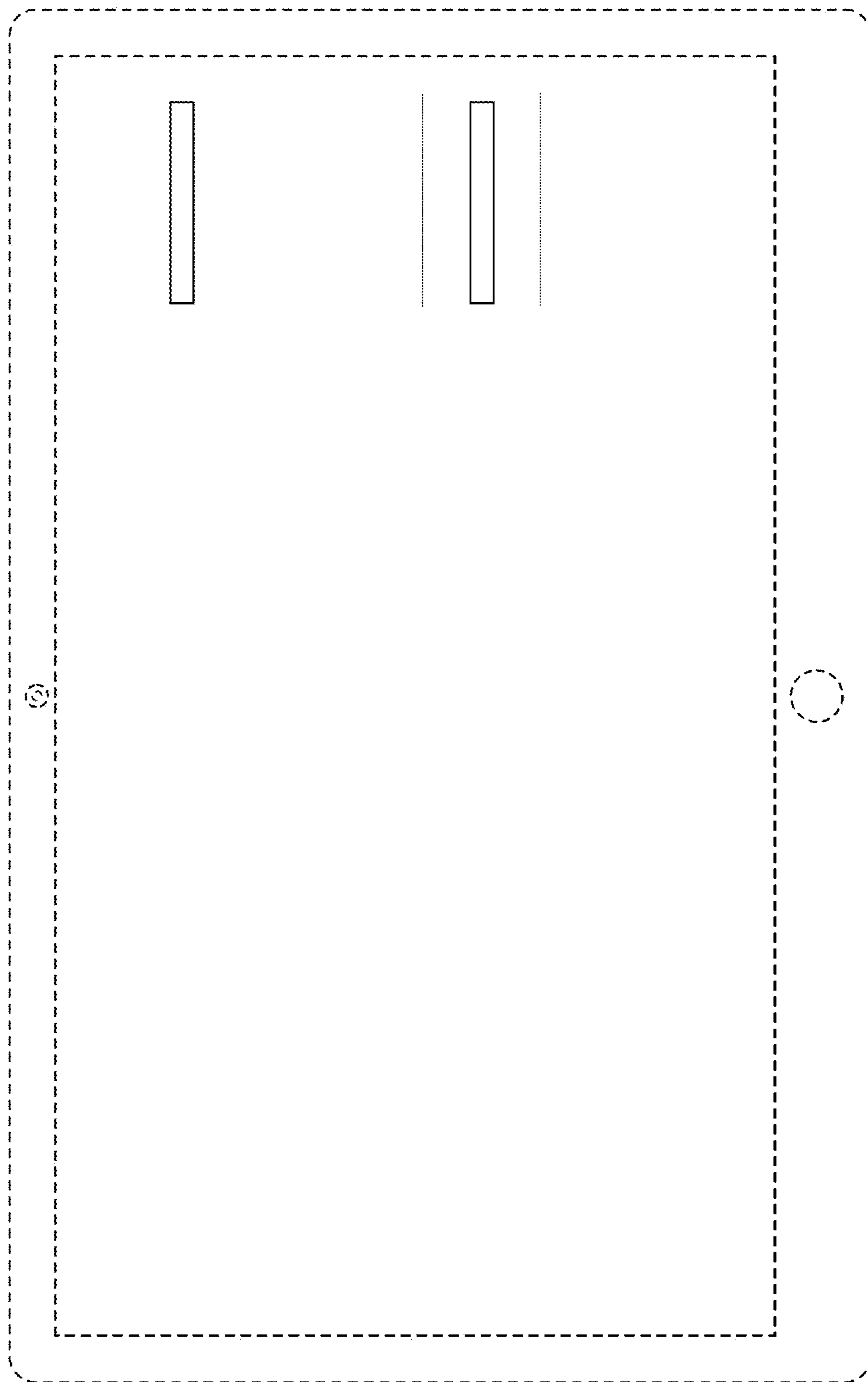


FIG. 22