

US00D689882S

(12) **United States Design Patent**
Holz

(10) **Patent No.:** **US D689,882 S**

(45) **Date of Patent:** **** Sep. 17, 2013**

(54) **DISPLAY SCREEN WITH GRAPHICAL USER INTERFACE**

(75) Inventor: **Elizabeth Ann Holz**, Seattle, WA (US)

(73) Assignee: **Microsoft Corporation**, Redmond, WA (US)

(**) Term: **14 Years**

(21) Appl. No.: **29/423,229**

(22) Filed: **May 30, 2012**

(51) **LOC (9) Cl.** **14-04**

(52) **U.S. Cl.**
USPC **D14/485**

(58) **Field of Classification Search**
USPC D14/485-495; 715/700, 703, 715, 715/730, 742, 752, 758, 759, 764, 768, 771, 715/773, 776, 777, 779, 780, 781, 808, 809, 715/841, 842, 843, 848, 864, 867, 962, 963, 715/970, 975, 977

See application file for complete search history.

(56) **References Cited**

U.S. PATENT DOCUMENTS

| | | | |
|--------------|---------|-----------------|---------|
| D550,234 S | 9/2007 | Miller et al. | |
| D558,211 S | 12/2007 | Dongen | |
| D558,212 S | 12/2007 | Dongen | |
| D559,857 S | 1/2008 | Van Dongen | |
| D565,585 S | 4/2008 | Gunn et al. | |
| D593,109 S * | 5/2009 | Danton | D14/485 |
| D593,580 S * | 6/2009 | Truelove et al. | D14/491 |

| | | | |
|-------------------|---------|------------------|---------|
| D607,001 S * | 12/2009 | Ording | D14/486 |
| D626,133 S * | 10/2010 | Murphy et al. | D14/485 |
| D630,224 S * | 1/2011 | Allen | D14/485 |
| D665,407 S | 8/2012 | Bitran et al. | |
| D677,677 S * | 3/2013 | Edwards | D14/485 |
| D680,125 S * | 4/2013 | Chaudhri et al. | D14/486 |
| 2013/0093793 A1 * | 4/2013 | Edwards et al. | 345/660 |
| 2013/0125041 A1 * | 5/2013 | Doan et al. | 715/781 |
| 2013/0151963 A1 * | 6/2013 | Costenaro et al. | 715/711 |
| 2013/0151993 A1 * | 6/2013 | Mayya et al. | 715/758 |
| 2013/0152007 A1 * | 6/2013 | Costenaro et al. | 715/779 |
| 2013/0152015 A1 * | 6/2013 | Costenaro et al. | 715/808 |

* cited by examiner

Primary Examiner — Angela J Lee

(74) *Attorney, Agent, or Firm* — Banner & Witcoff, Ltd.

(57) **CLAIM**

The ornamental design for a display screen with graphical user interface, as shown and described.

DESCRIPTION

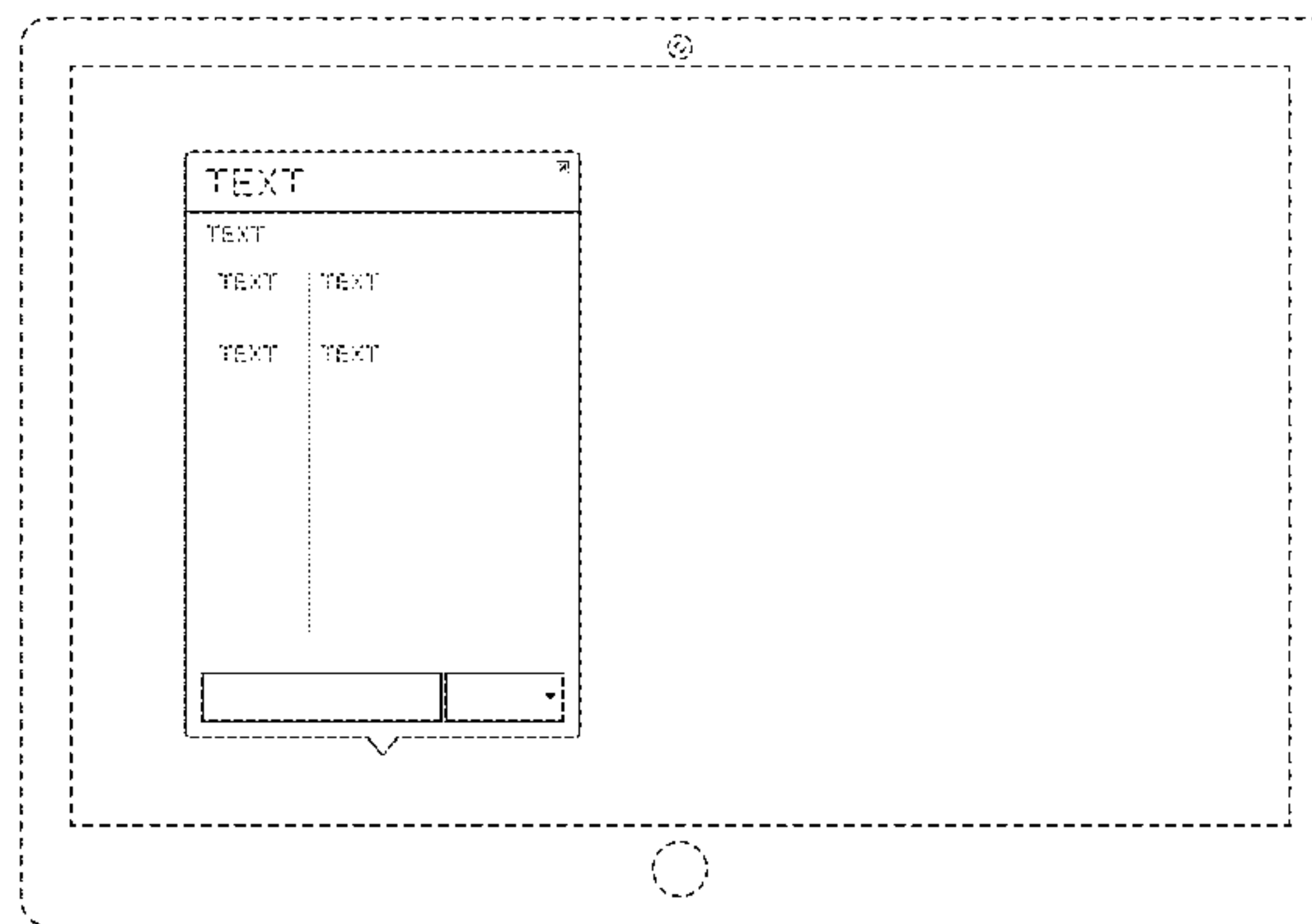
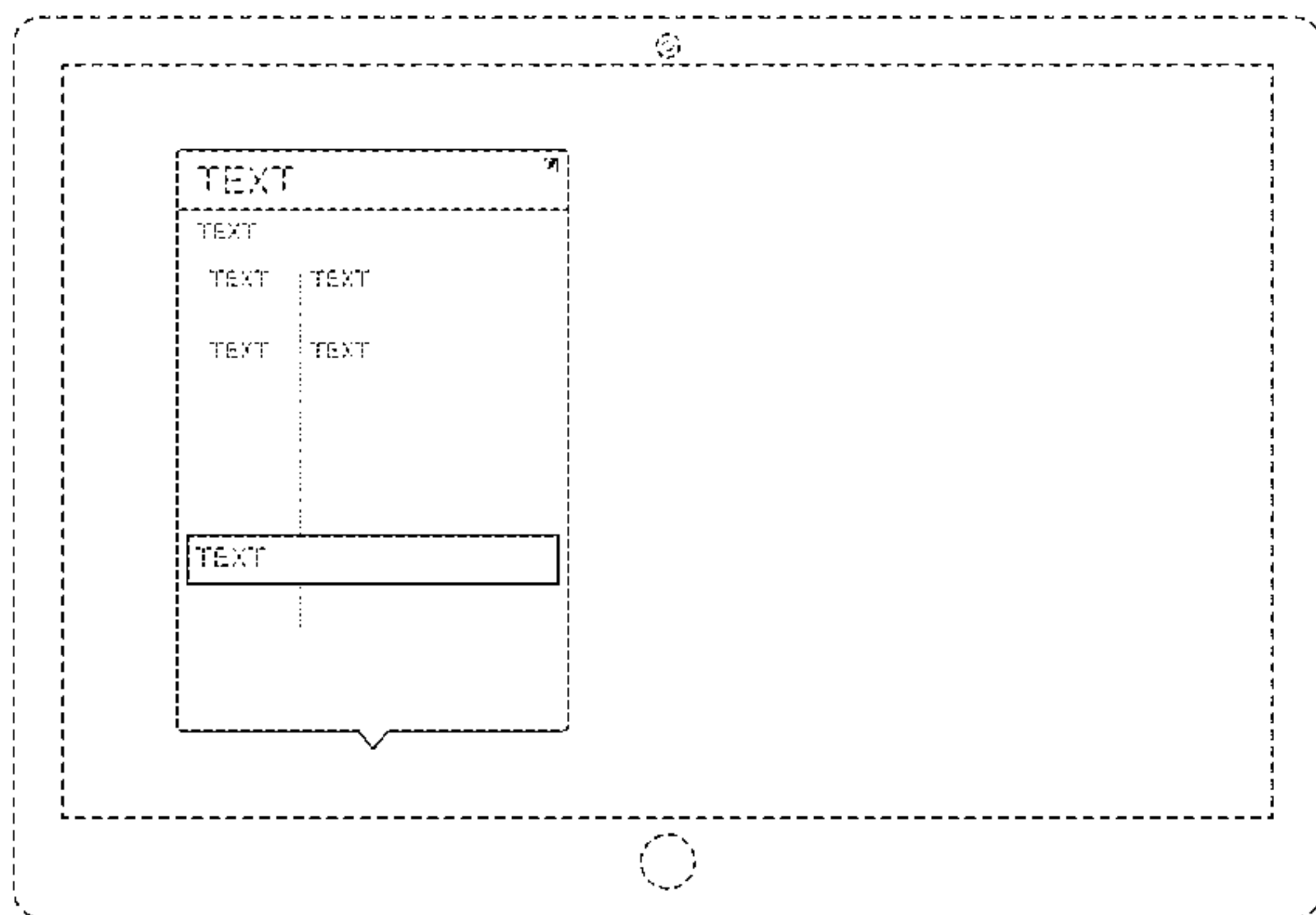
FIG. 1 is a front view of a display screen with graphical user interface showing my new design;

FIG. 2 is a front view of a display screen with graphical user interface showing an alternative embodiment of my new design; and,

FIG. 3 is a front view of a display screen with graphical user interface showing an alternative embodiment of my new design.

The dashed broken line showing of the text, remainder of the graphical user interface and display screen is for environmental purposes only and forms no part of the claimed design.

1 Claim, 3 Drawing Sheets



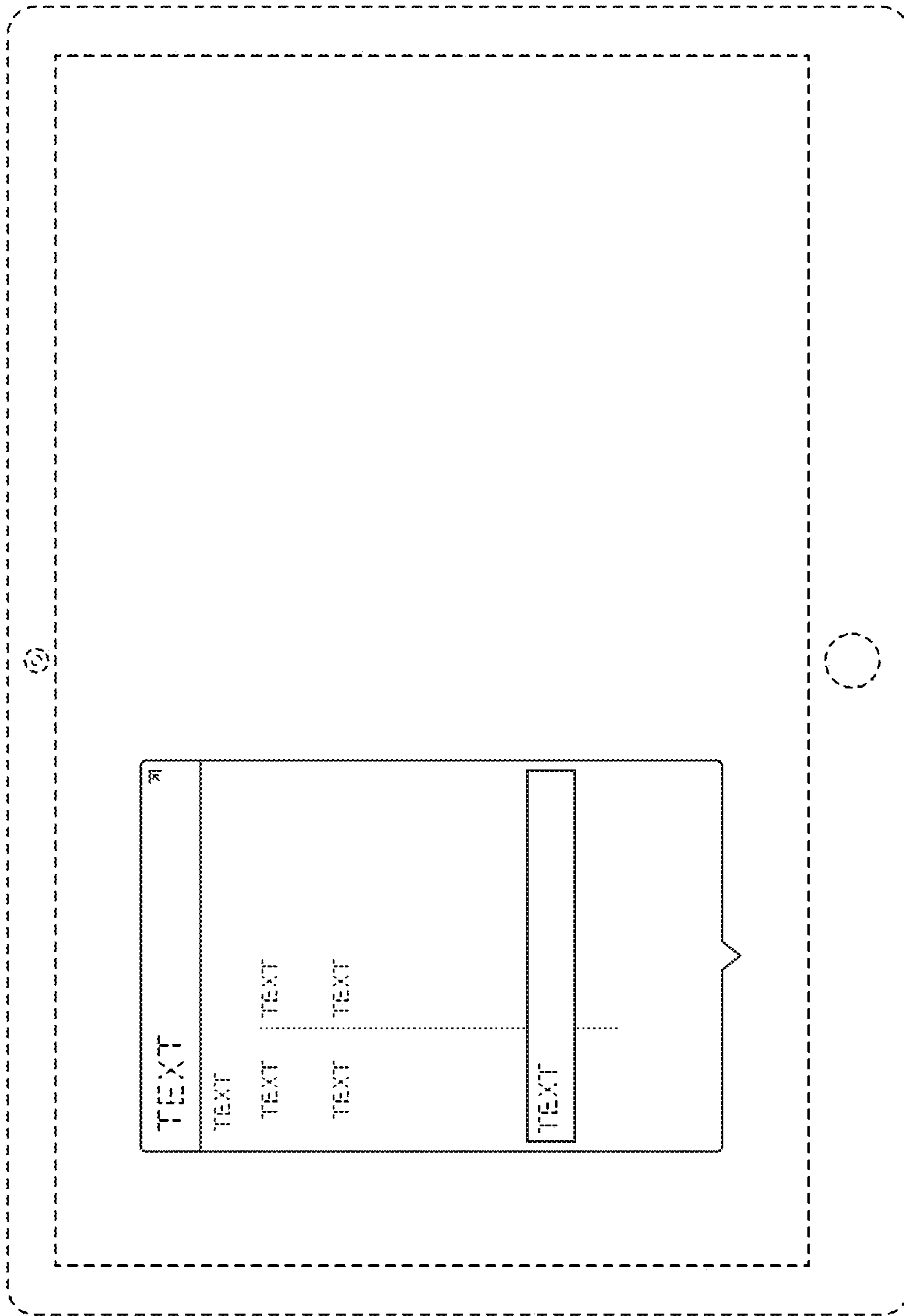


FIG. 1

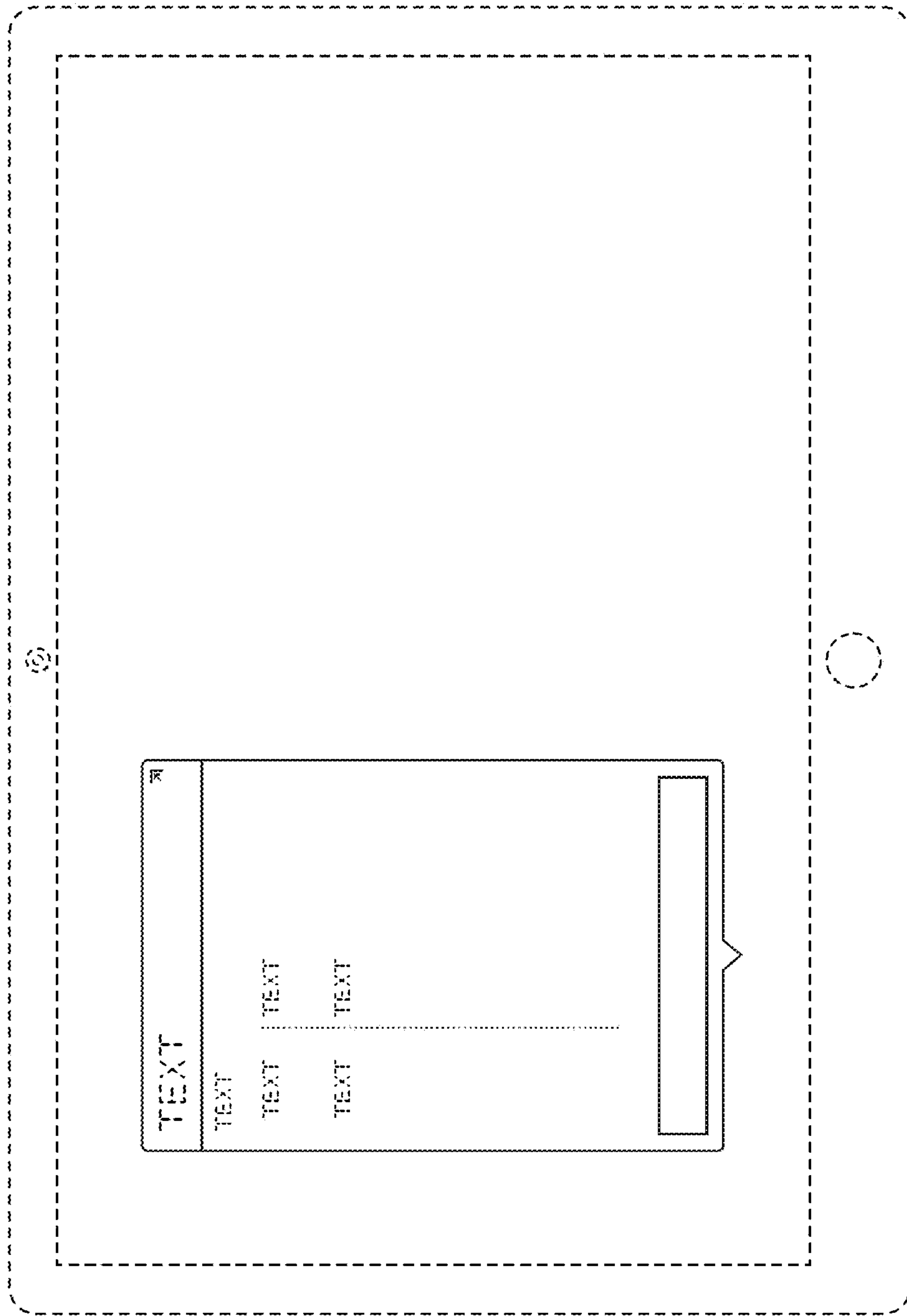


FIG. 2

