



US00D689874S

(12) **United States Design Patent**
Brinda et al.

(10) **Patent No.:** **US D689,874 S**
(45) **Date of Patent:** **** Sep. 17, 2013**

(54) **DISPLAY SCREEN WITH GRAPHICAL USER INTERFACE**

DESCRIPTION

(75) Inventors: **David Brinda**, Bellevue, WA (US);
Micah Shotel, Bellevue, WA (US);
Sheng-Hsin Huang, Taoyuan County (TW);
Hsu-Jung Chen, Taoyuan County (TW);
Jye Rong, Taoyuan County (TW);
Peter Chin, Bellevue, WA (US);
Meng-Hsun Wu, Taoyuan County (TW)

FIG. 1 is a front view of the first image of a display screen with graphical user interface showing a first embodiment of our new design;

FIG. 2 is a front view of a second image of the first embodiment;

FIG. 3 is a front view of a third image of the first embodiment;

FIG. 4 is a front view of a fourth image of the first embodiment;

FIG. 5 is a front view of a fifth image of the first embodiment;

FIG. 6 is a front view of the first image of a display screen with graphical user interface showing a second embodiment of our new design;

FIG. 7 is a front view of a second image of the second embodiment;

FIG. 8 is a front view of a third image of the second embodiment;

FIG. 9 is a front view of a fourth image of the second embodiment; and,

FIG. 10 is a front view of a fifth image of the second embodiment.

The broken line drawing of a display screen in all views illustrates unclaimed environment and forms no part of the claimed design. The broken line showing the remainder of the image in all views illustrates unclaimed portions of the design and forms no part thereof.

In FIGS. 1-5 of the first embodiment, the circle-ring-shaped stripe, continuous-line-shaped stripes and discontinuous-line-shaped stripes convey the impression of a translucent surface, and the round spots do not convey the impression of a translucent surface. In FIGS. 6-10 of the second embodiment, the circle-ring-shaped stripe, continuous-line-shaped stripes, discontinuous-line-shaped stripes, and the round spots do not convey the impression of a translucent surface. The appearance of the transitional image sequentially transitions between the images shown in FIGS. 1-5 of the first embodiment and FIGS. 6-10 of the second embodiment. The process or period in which one image transitions to another image forms no part of the claimed design.

(73) Assignee: **HTC Corporation**, Taoyuan County (TW)

(**) Term: **14 Years**

(21) Appl. No.: **29/411,001**

(22) Filed: **Jan. 13, 2012**

(51) **LOC (9) Cl.** **14-04**

(52) **U.S. Cl.**
USPC **D14/485**

(58) **Field of Classification Search**
USPC D14/485-495; 715/202, 212, 246,
715/715, 716, 718, 719, 723, 726, 730, 731,
715/732, 764, 768, 779, 780, 782, 792, 793,
715/808, 809, 810, 811, 812, 813, 821, 822,
715/823, 825, 828, 830, 833, 835, 838, 840,
715/841, 845, 848, 859, 860, 861, 864, 963,
715/974, 977

See application file for complete search history.

(56) **References Cited**

U.S. PATENT DOCUMENTS

D435,561 S * 12/2000 Pettigrew et al. D14/487
D454,138 S * 3/2002 Imamura et al. D14/486

(Continued)

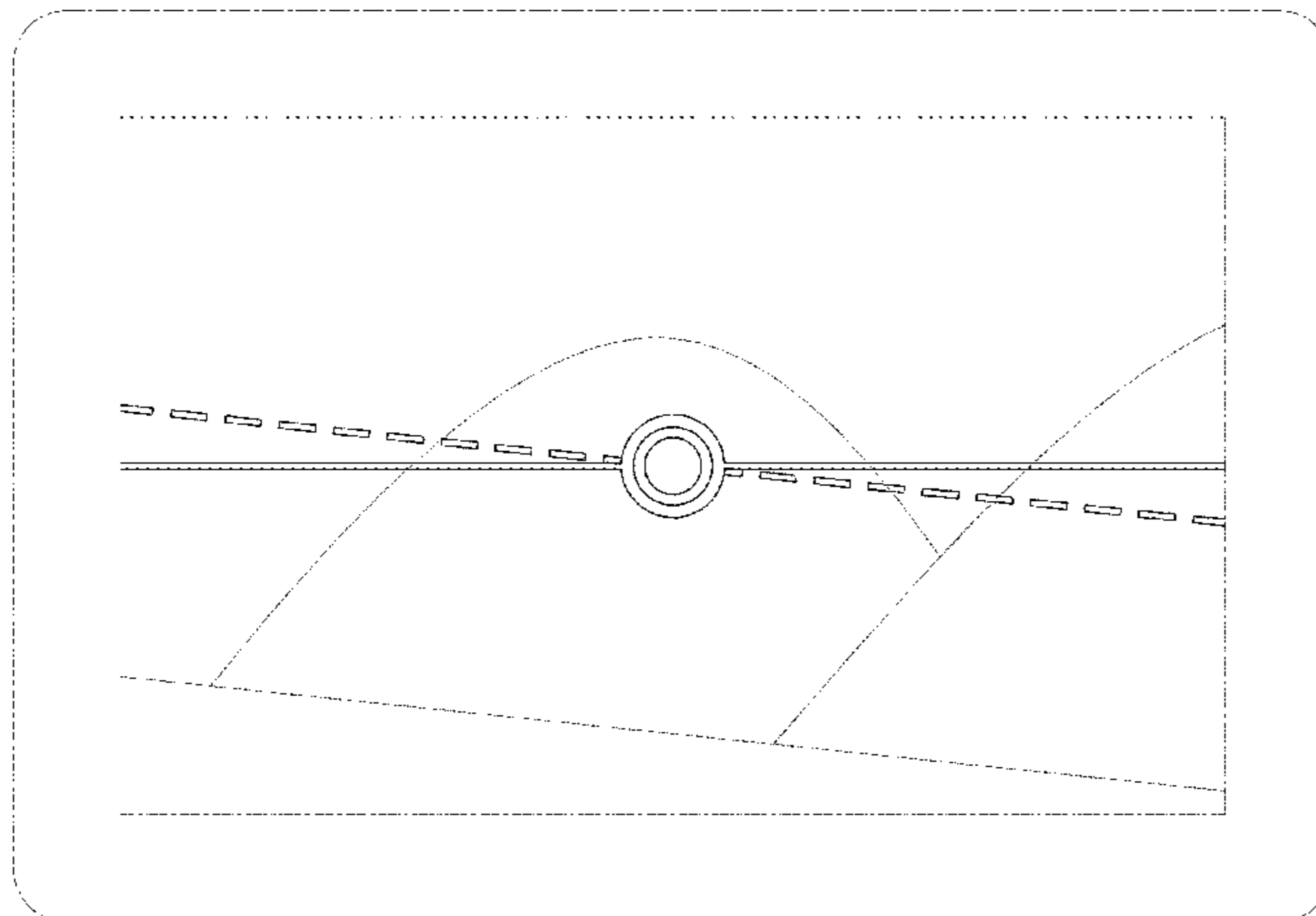
Primary Examiner — Angela J Lee

(74) *Attorney, Agent, or Firm* — Jianq Chyun IP Office

(57) **CLAIM**

The ornamental design for a display screen with graphical user interface, as shown and described.

1 Claim, 10 Drawing Sheets



(56)

References Cited

U.S. PATENT DOCUMENTS

D524,321 S * 7/2006 Hally et al. D14/487
D528,554 S * 9/2006 Lam et al. D14/486
D558,220 S * 12/2007 Maitlen et al. D14/487
D559,258 S * 1/2008 Kita et al. D14/485
D579,021 S * 10/2008 Ahn et al. D14/486

D602,942 S * 10/2009 Bennett et al. D14/485
D641,375 S * 7/2011 Vadlamani et al. D14/489
D644,242 S * 8/2011 Matas D14/489
D644,656 S * 9/2011 Maitlen et al. D14/489
2010/0118037 A1 * 5/2010 Sheikh et al. 345/473
2012/0185773 A1 * 7/2012 Wang et al. 715/719

* cited by examiner

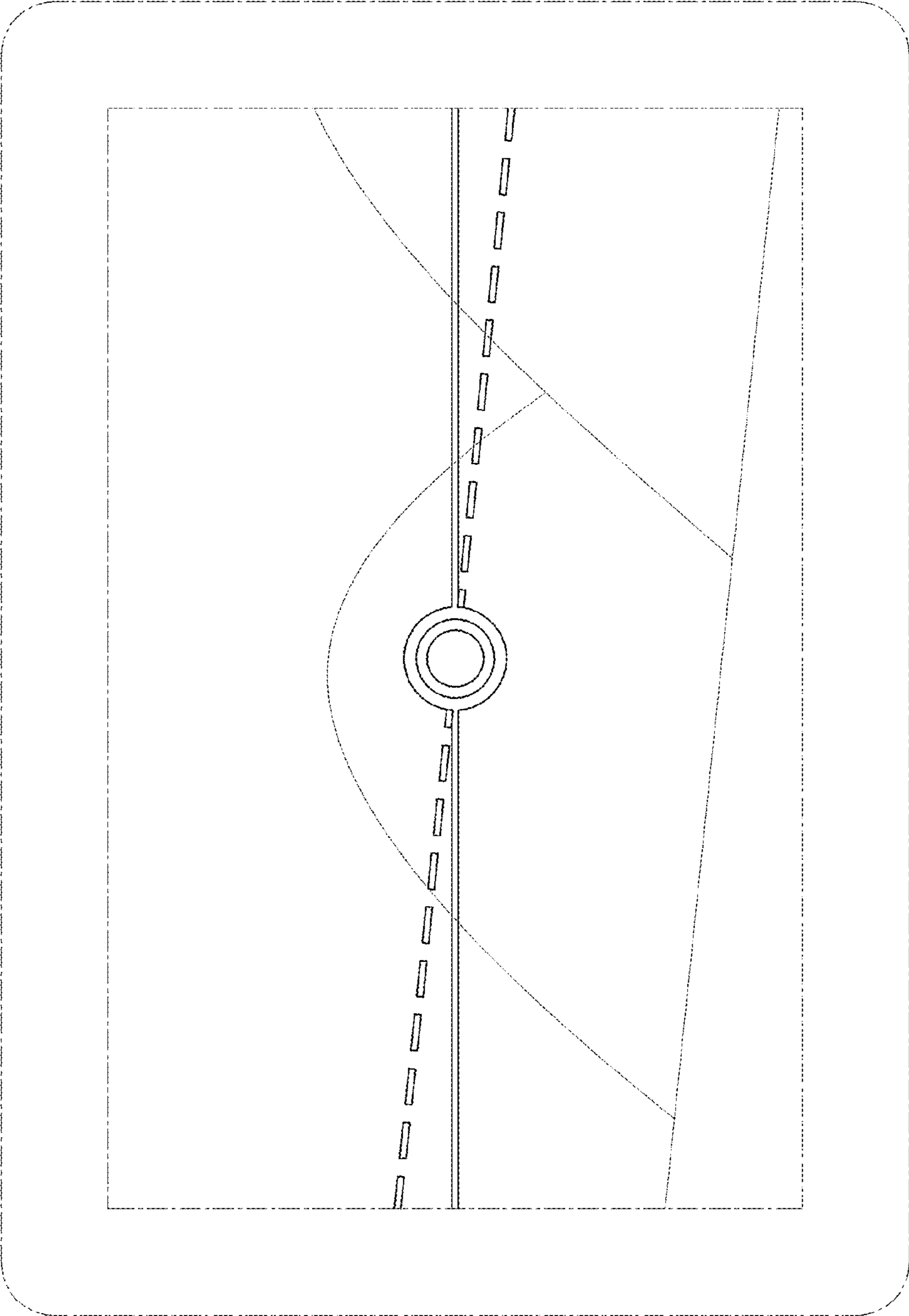


FIG. 1

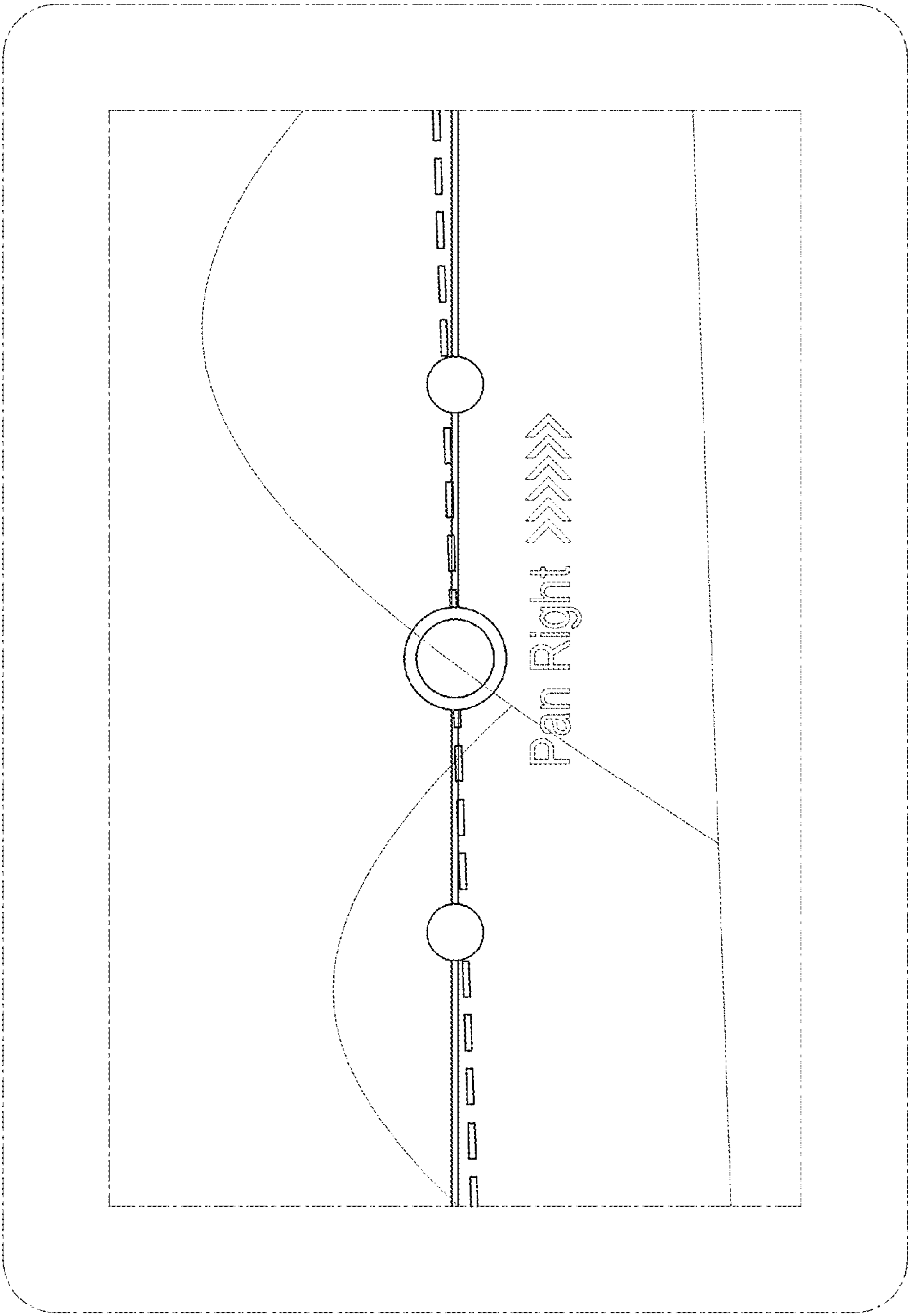


FIG. 2

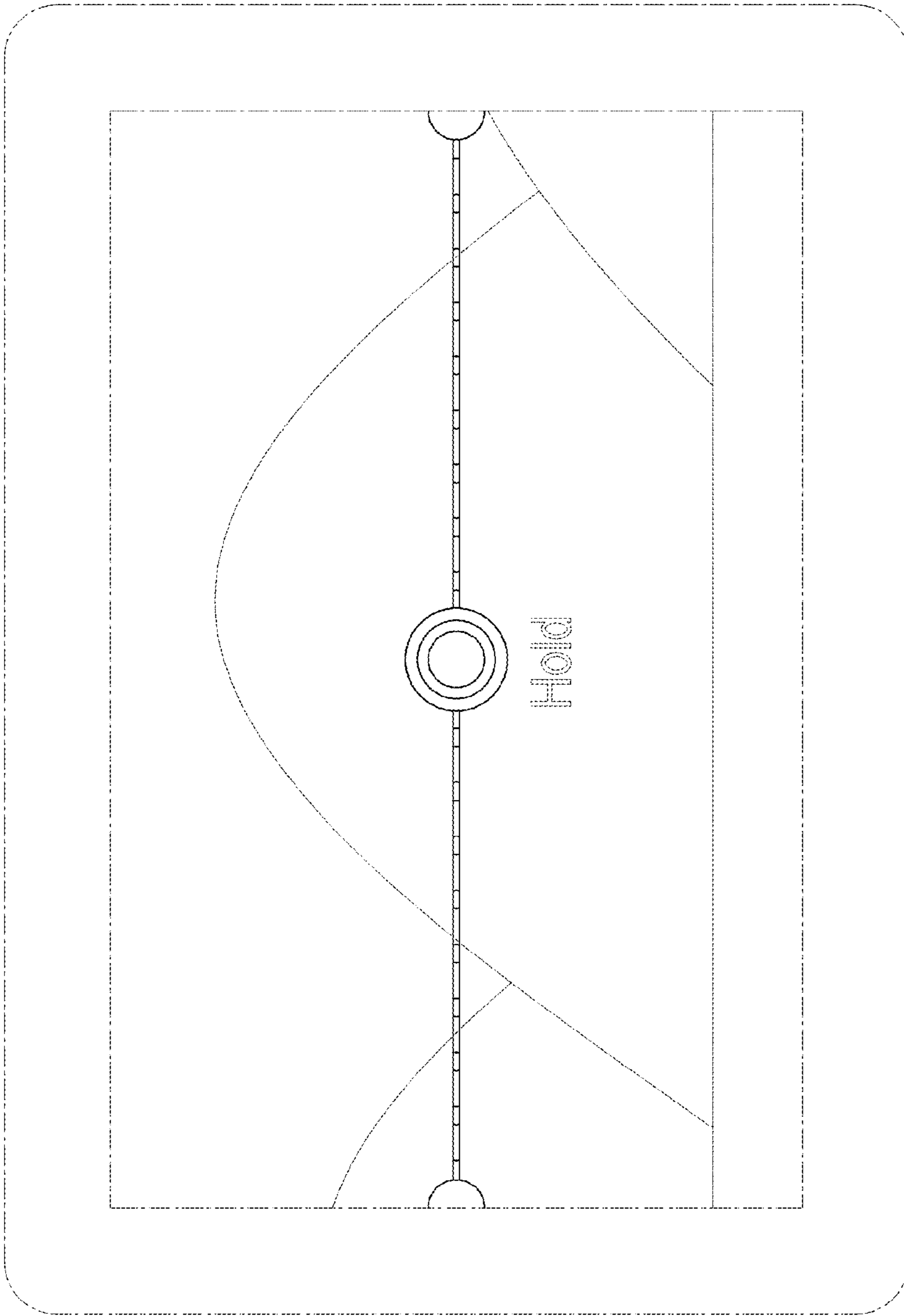


FIG. 3

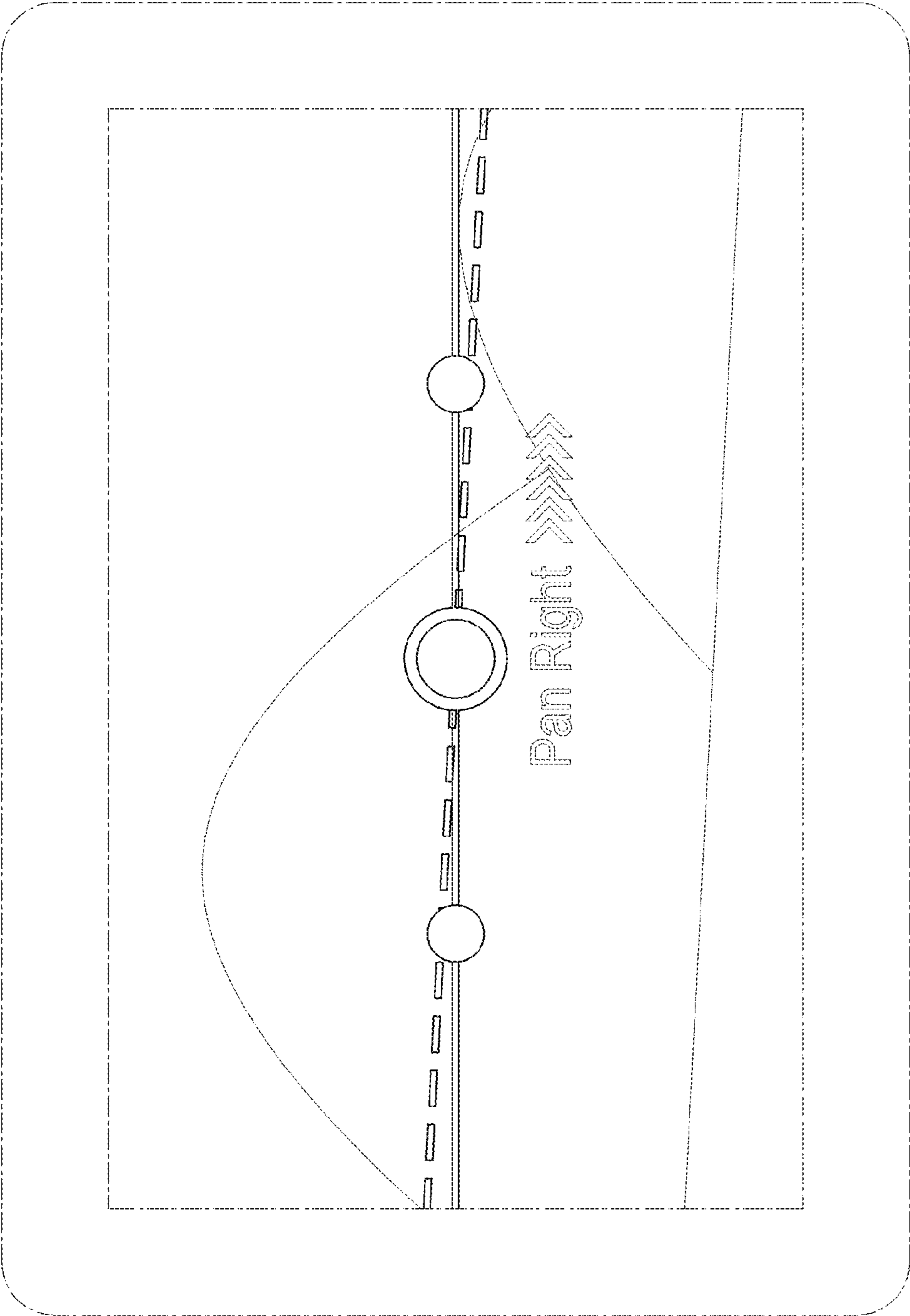


FIG. 4

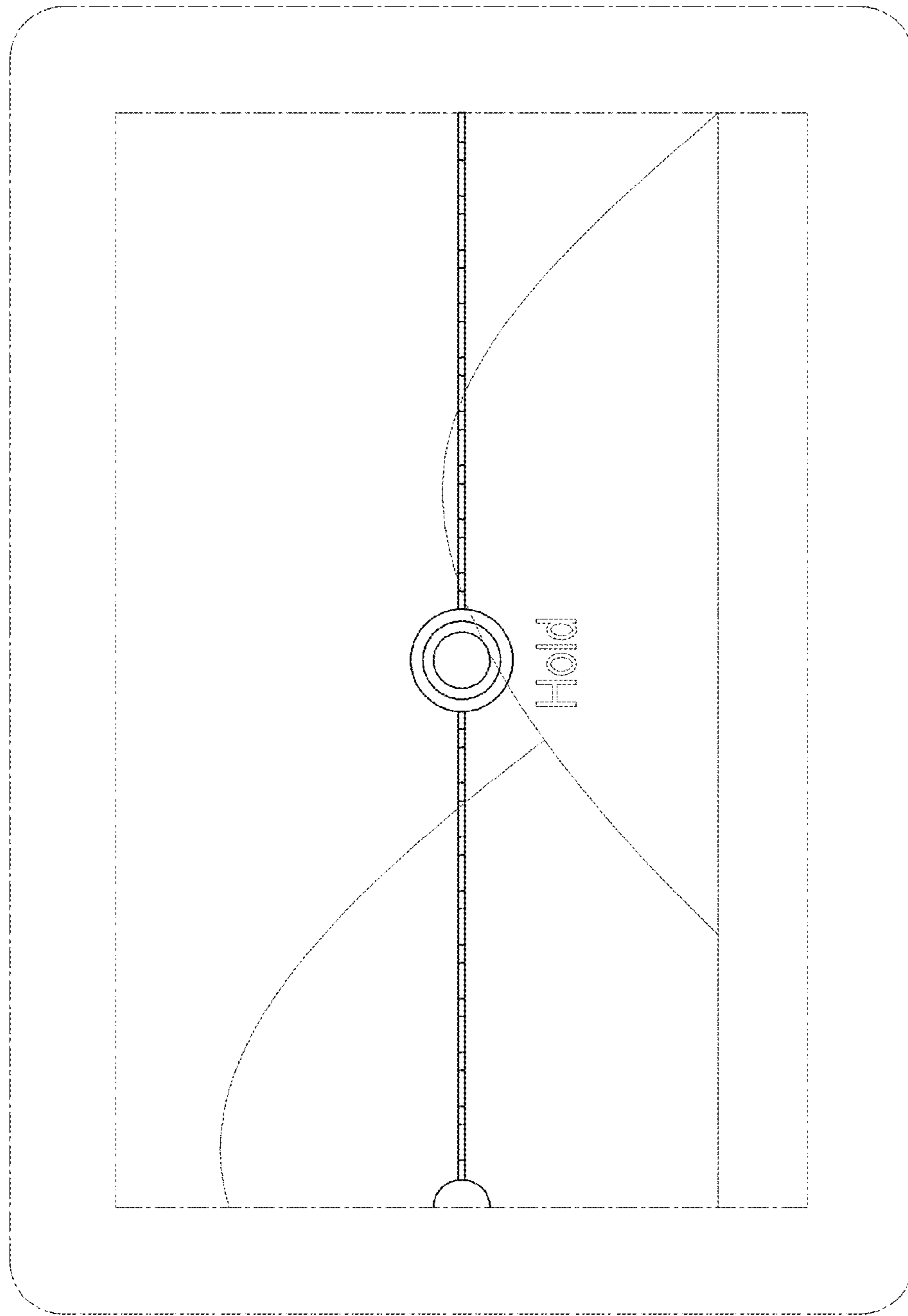


FIG. 5

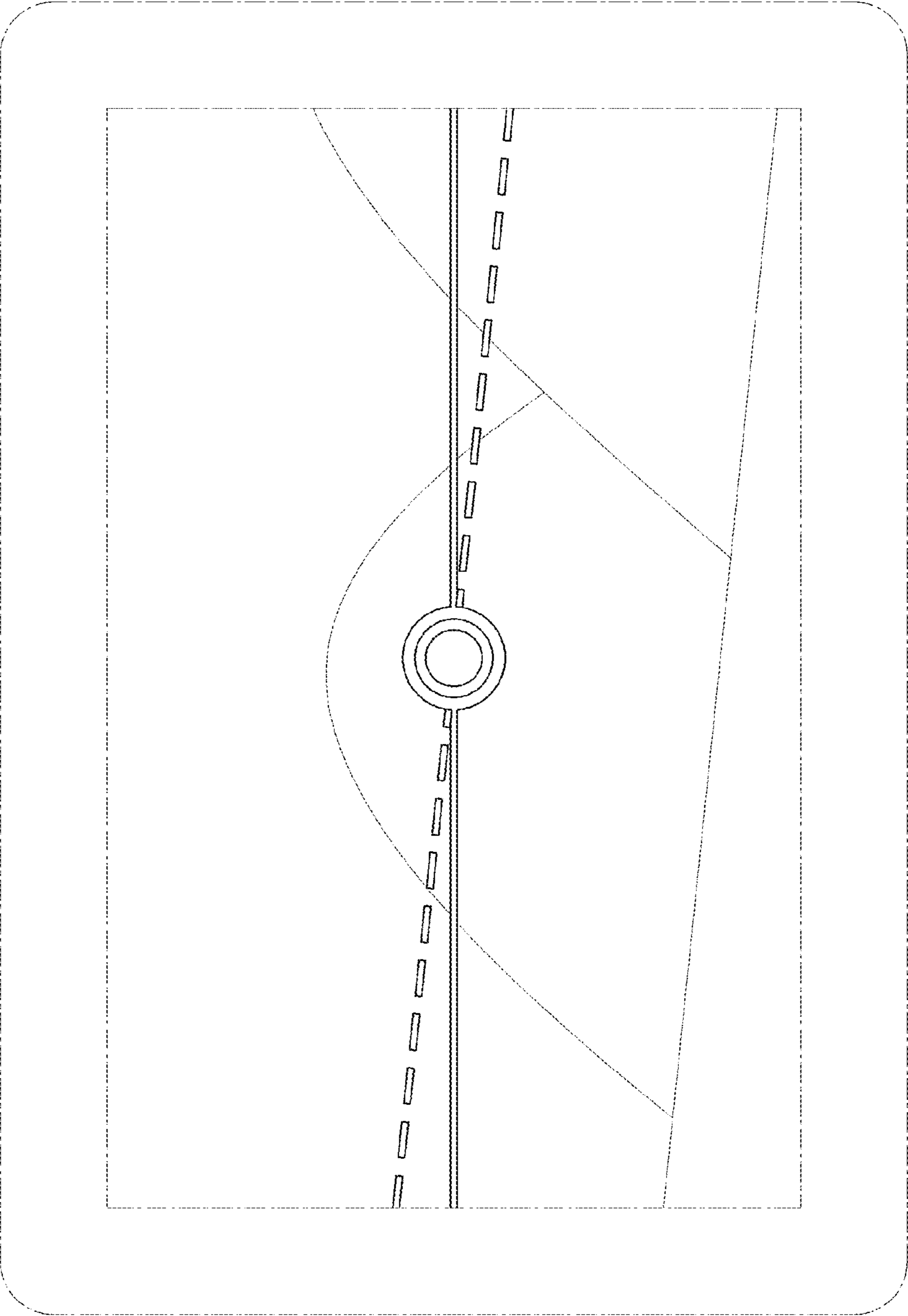


FIG. 6

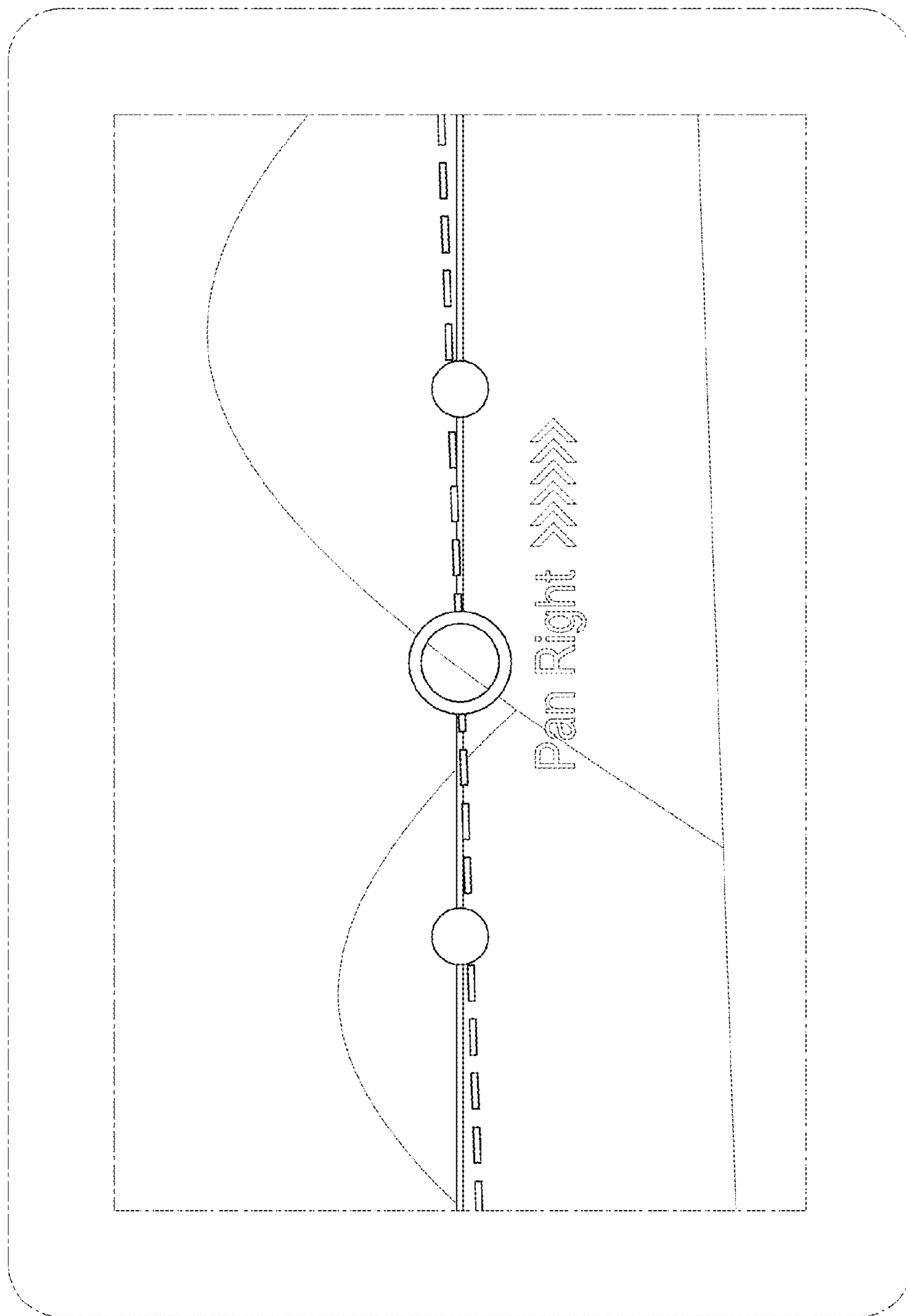


FIG. 7

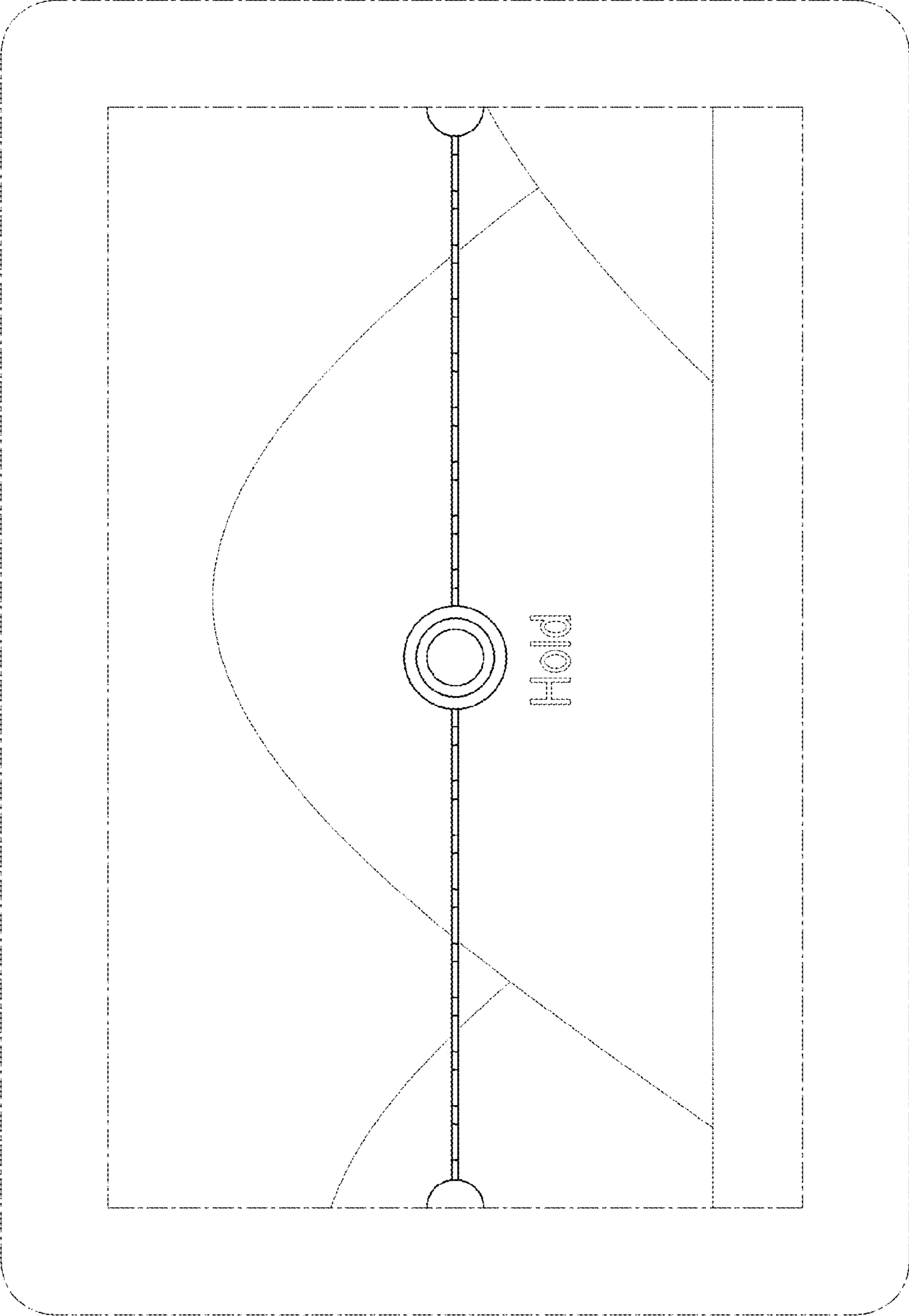


FIG. 8

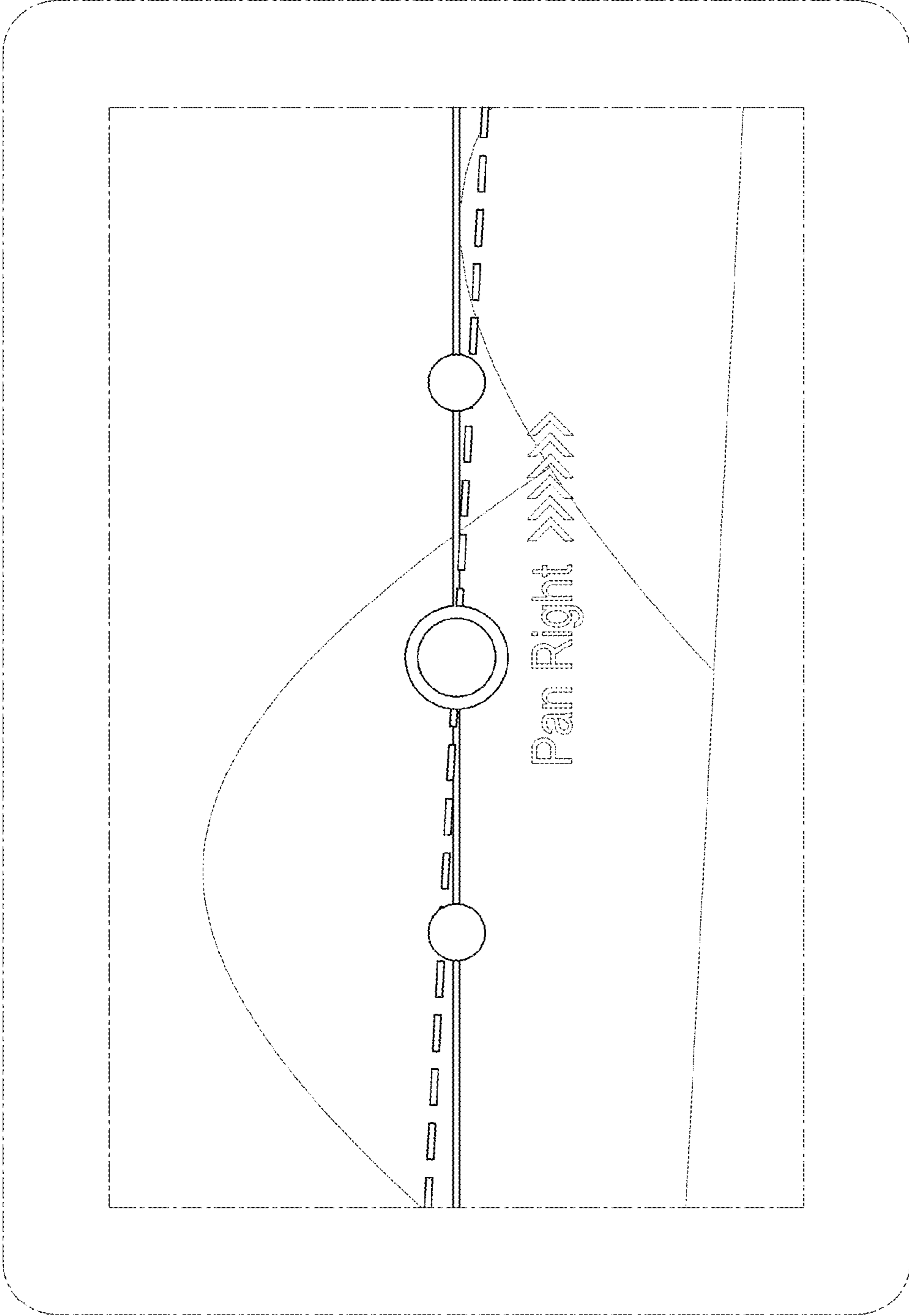


FIG. 9

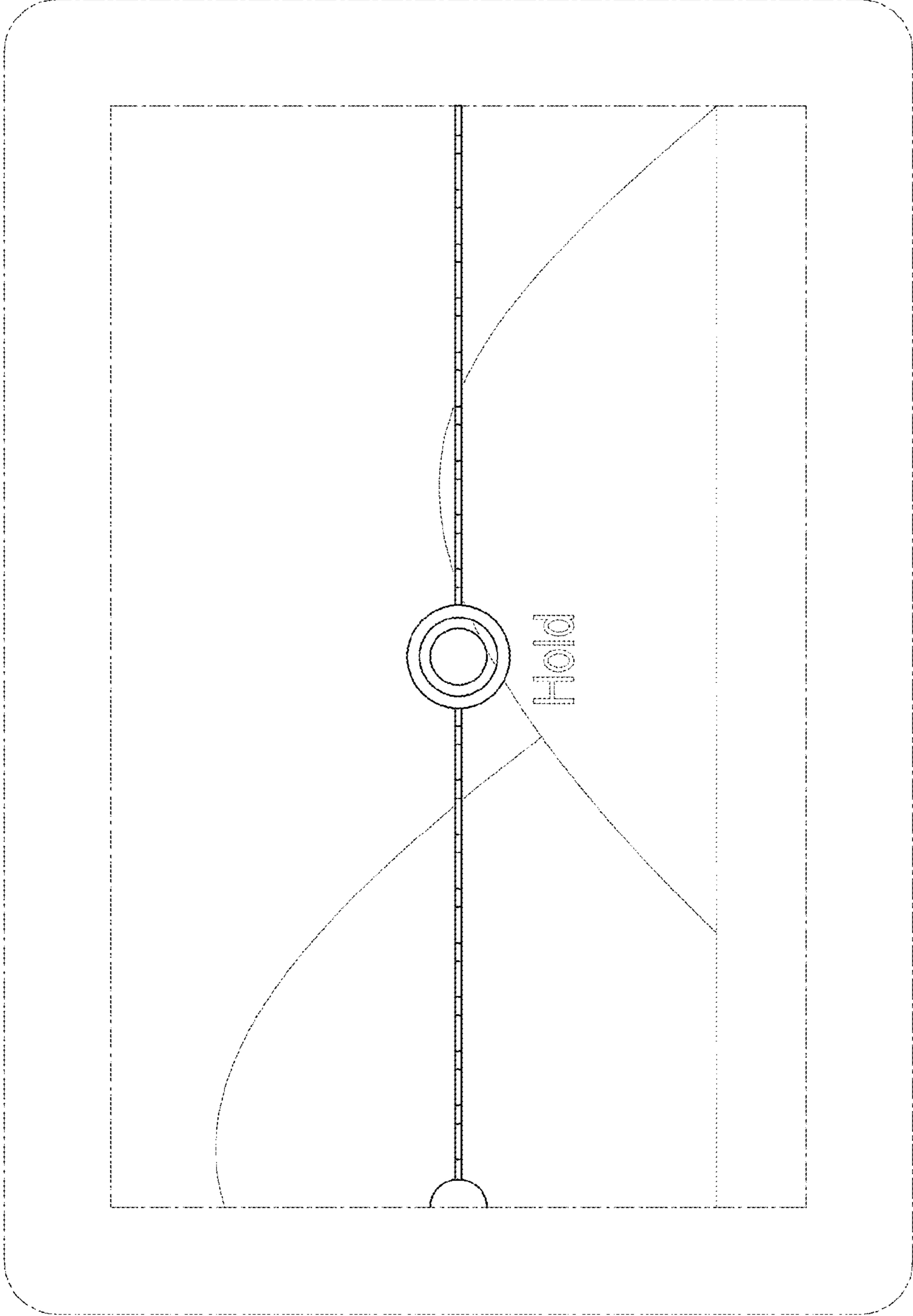


FIG. 10