



US00D689872S

(12) **United States Design Patent**
André

(10) **Patent No.:** **US D689,872 S**

(45) **Date of Patent:** **** Sep. 17, 2013**

(54) **COMBINED USB AND SUCTION DEVICE**

(75) Inventor: **Olivier André**, Pok Fu Lam (HK)

(73) Assignee: **Intermed Asia Limited**, Hung Hom, Kowloon (HK)

(**) Term: **14 Years**

(21) Appl. No.: **29/418,500**

(22) Filed: **Apr. 17, 2012**

(51) **LOC (9) Cl.** **14-02**

(52) **U.S. Cl.**
USPC **D14/480.5; D14/480.3**

(58) **Field of Classification Search**
USPC D14/411, 433, 435.1, 436, 480.1–480.7,
D14/484.1, 137, 155, 203.1–203.8, 240;
D13/133, 154; D8/349, 354, 373; 710/300,
710/301; 439/131, 135–147; 361/679.31,
361/679.33, 679.4, 752; 711/752
See application file for complete search history.

(56) **References Cited**

U.S. PATENT DOCUMENTS

3,283,383	A	*	11/1966	Heath	24/457
D371,735	S	*	7/1996	Motta	D8/373
D437,205	S	*	2/2001	Mochizuki	D8/354
D471,516	S	*	3/2003	Tsay et al.	D14/435.1
7,416,424	B1	*	8/2008	Deckman	439/135
D615,985	S	*	5/2010	Landry et al.	D14/480.5
D628,579	S	*	12/2010	Landry et al.	D14/480.5
D636,383	S	*	4/2011	Hao	D14/242
D647,533	S	*	10/2011	Busch	D14/480.3
D648,730	S	*	11/2011	Huang	D14/480.5
D675,631	S	*	2/2013	Bedol et al.	D14/480.2
D681,420	S	*	5/2013	Ileuov et al.	D8/354

OTHER PUBLICATIONS

Floppy Disk—Flash Drive, Web Archive [online] captured Jan. 30, 2013 [retrieved on Jun. 12, 2013]. Retrieved from the Internet <URL: <http://web.archive.org/web/20130130232544/http://www.customusb.com/products-flashdrive-floppydisk.html>>.*

* cited by examiner

Primary Examiner — Karen E Kearney

(74) *Attorney, Agent, or Firm* — Merchant & Gould P.C.

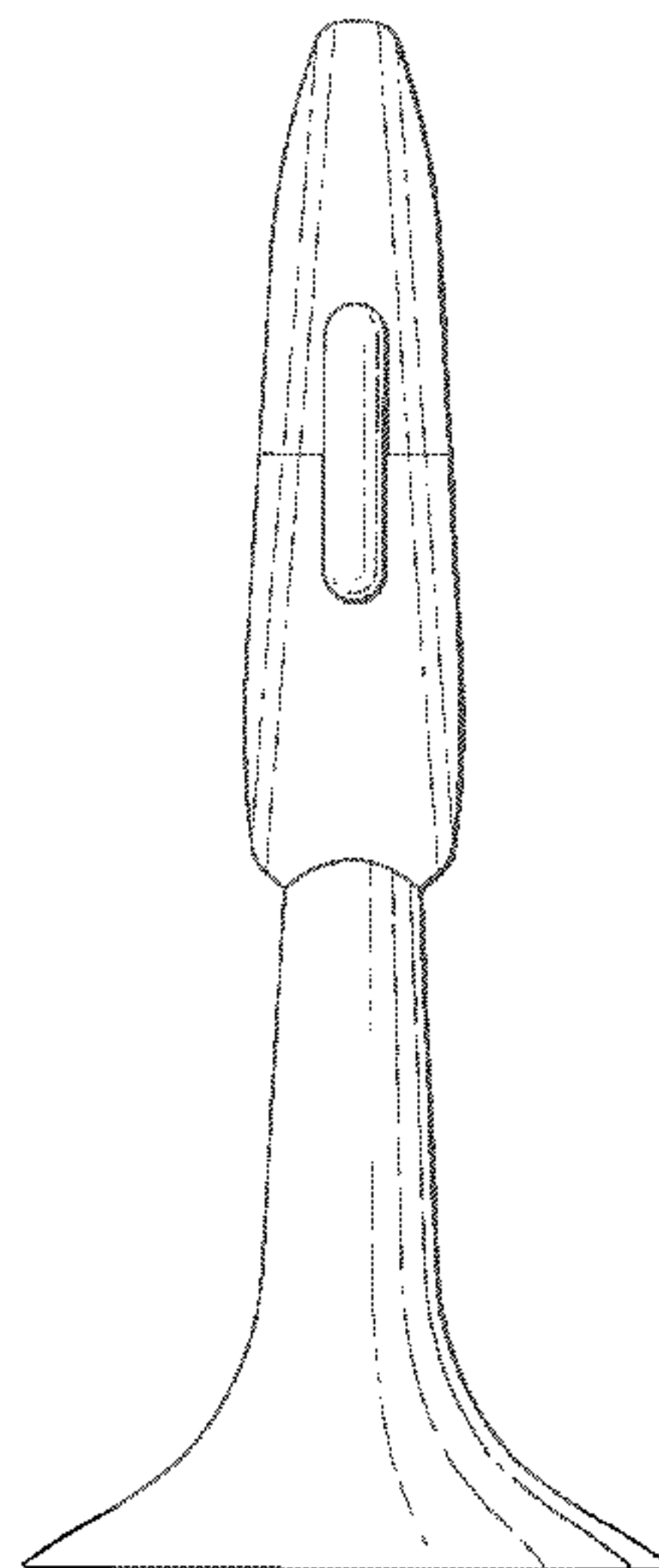
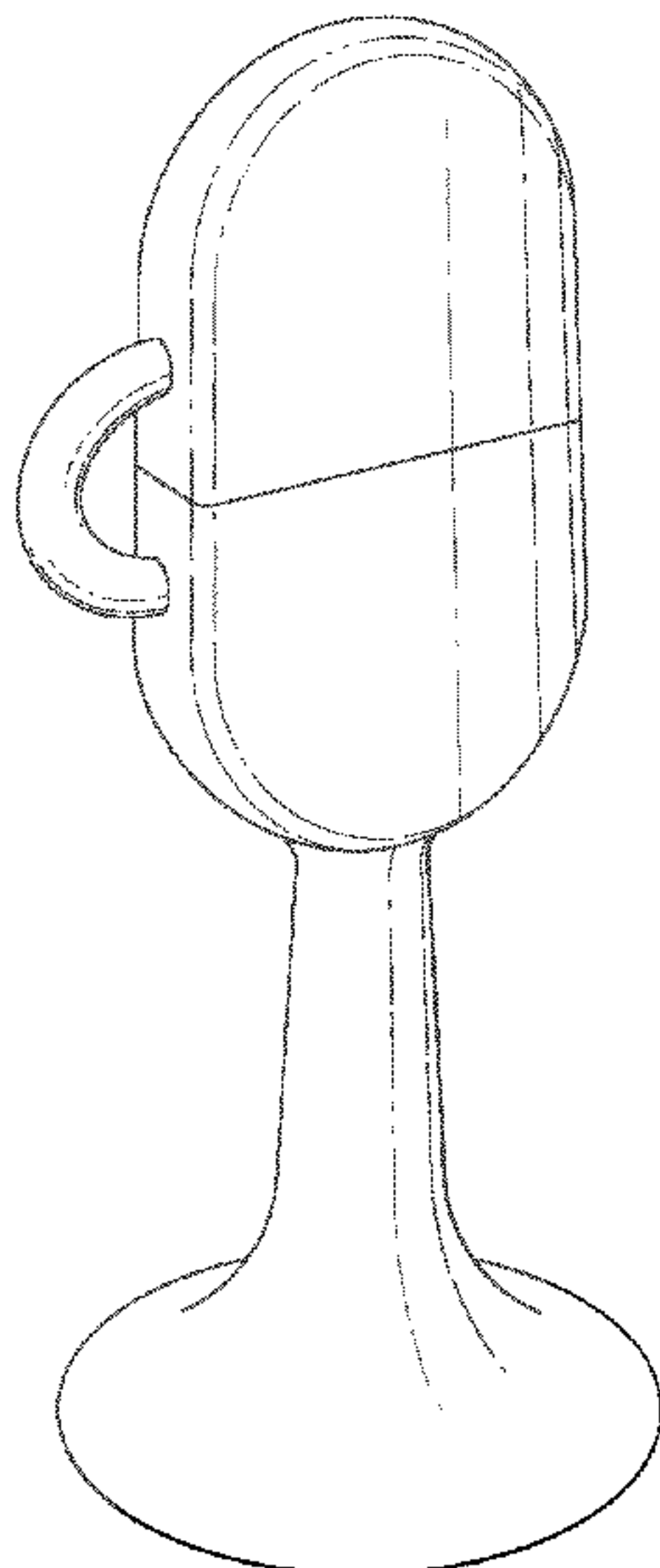
(57) **CLAIM**

The ornamental design for combined USB and suction device, as shown and described.

DESCRIPTION

FIG. 1 is a perspective view showing my new design; FIG. 2 is a front view thereof; FIG. 3 is a back view thereof; FIG. 4 is a side view thereof; FIG. 5 is a side view thereof; FIG. 6 is an top view thereof; FIG. 7 is an bottom view thereof; FIG. 8 is a perspective view thereof with the cap removed and the USB connector exposed; FIG. 9 is a front view thereof with the cap removed and the USB connector exposed; FIG. 10 is a back view thereof the cap removed and with the USB connector exposed; FIG. 11 is a side view thereof with the cap removed and the USB connector exposed; FIG. 12 is a side view thereof with the cap removed and the USB connector exposed; FIG. 13 is a top view thereof with the cap removed and the USB connector exposed; and, FIG. 14 is and bottom view thereof with the cap removed.

1 Claim, 14 Drawing Sheets



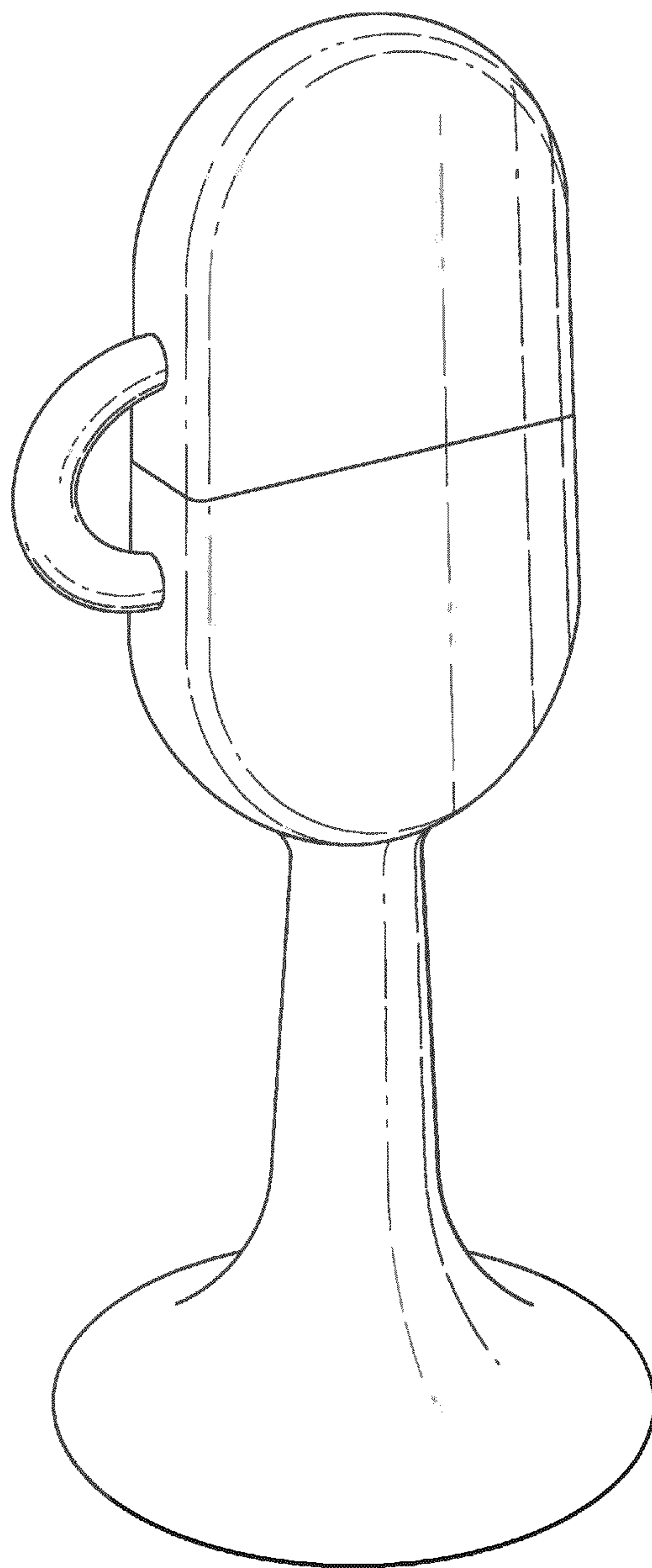


FIG. 1

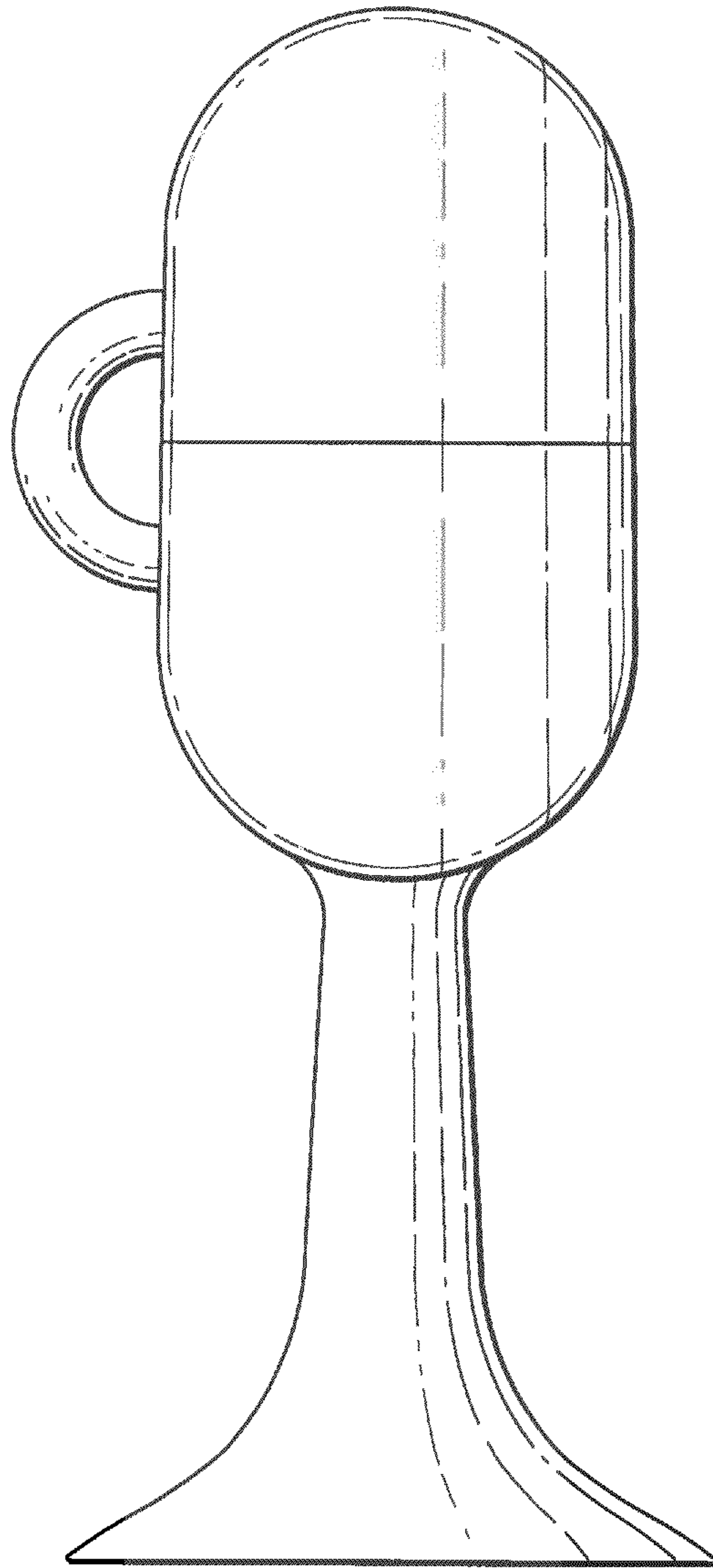


FIG. 2

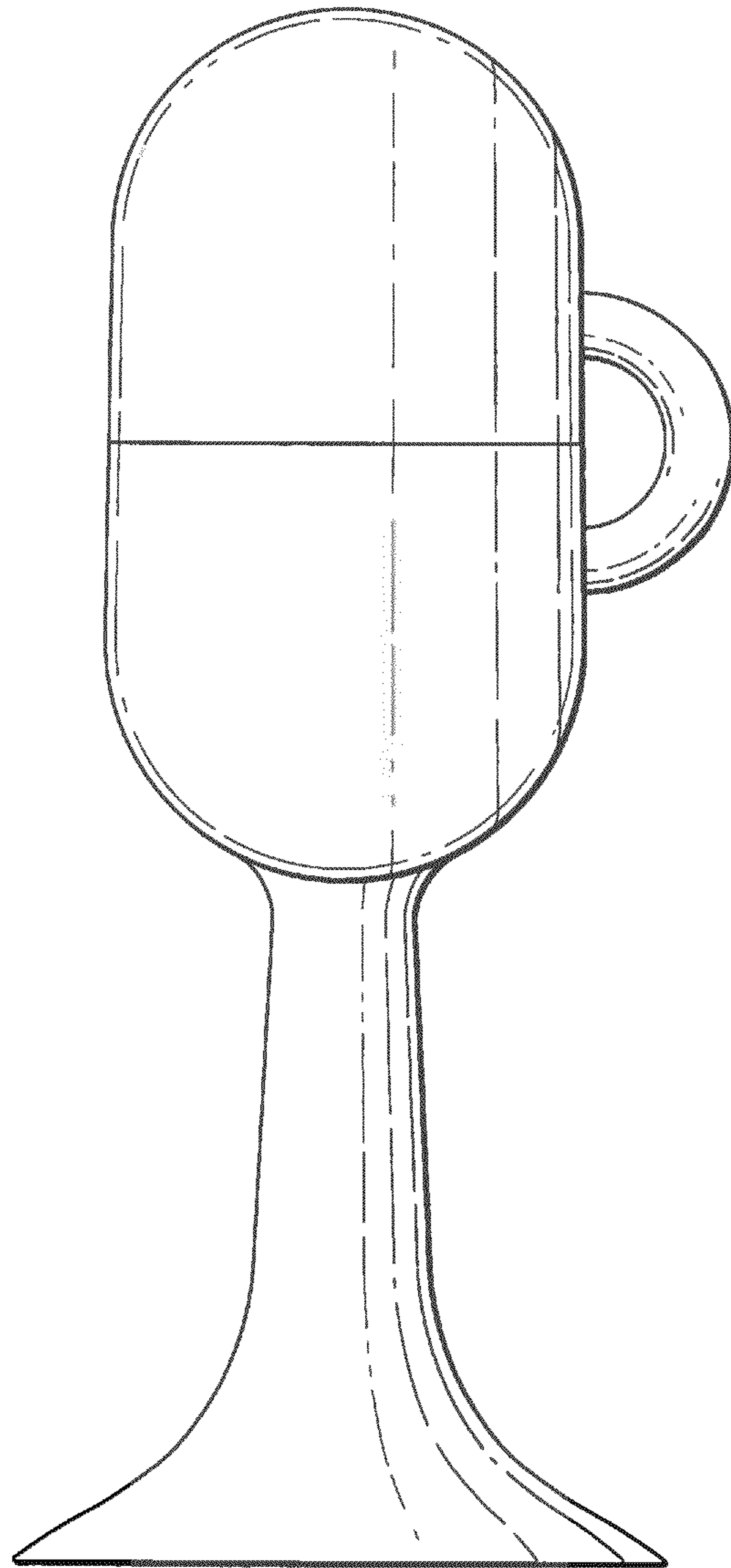


FIG. 3

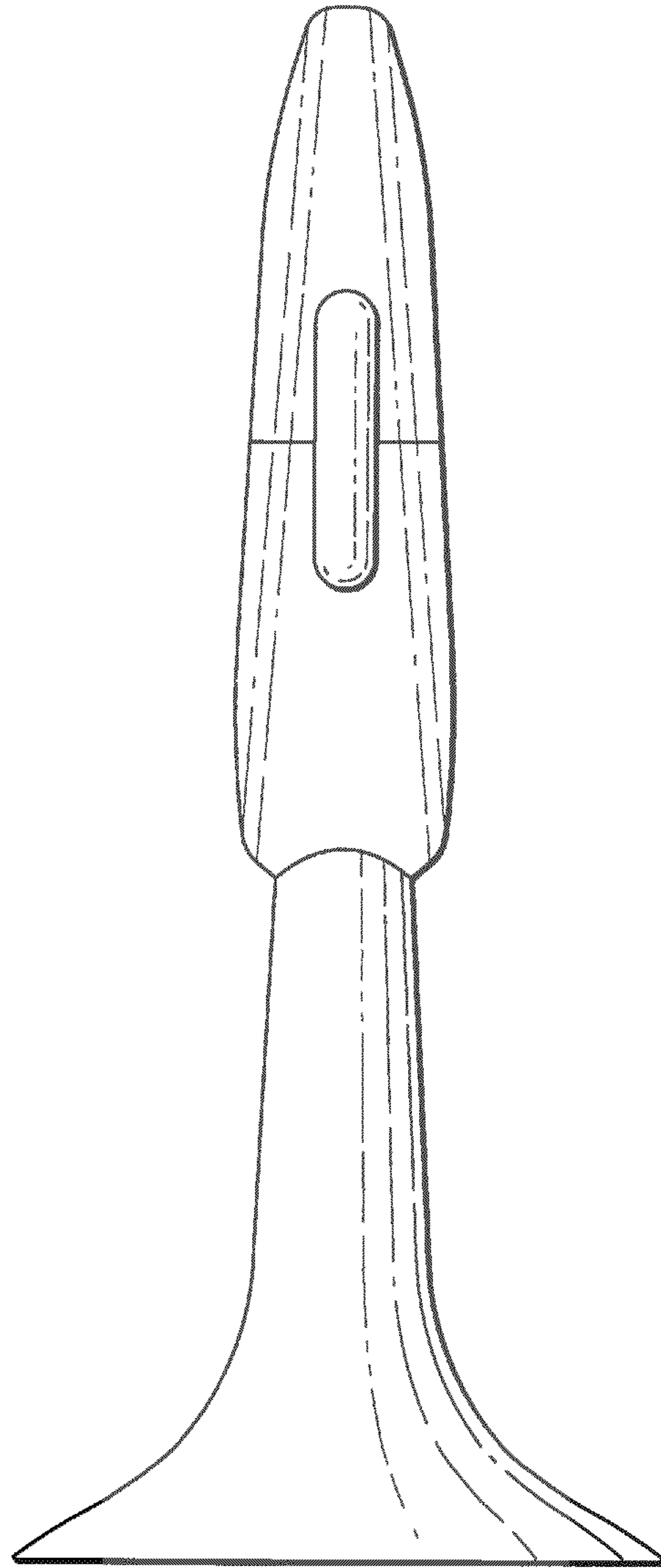


FIG. 4

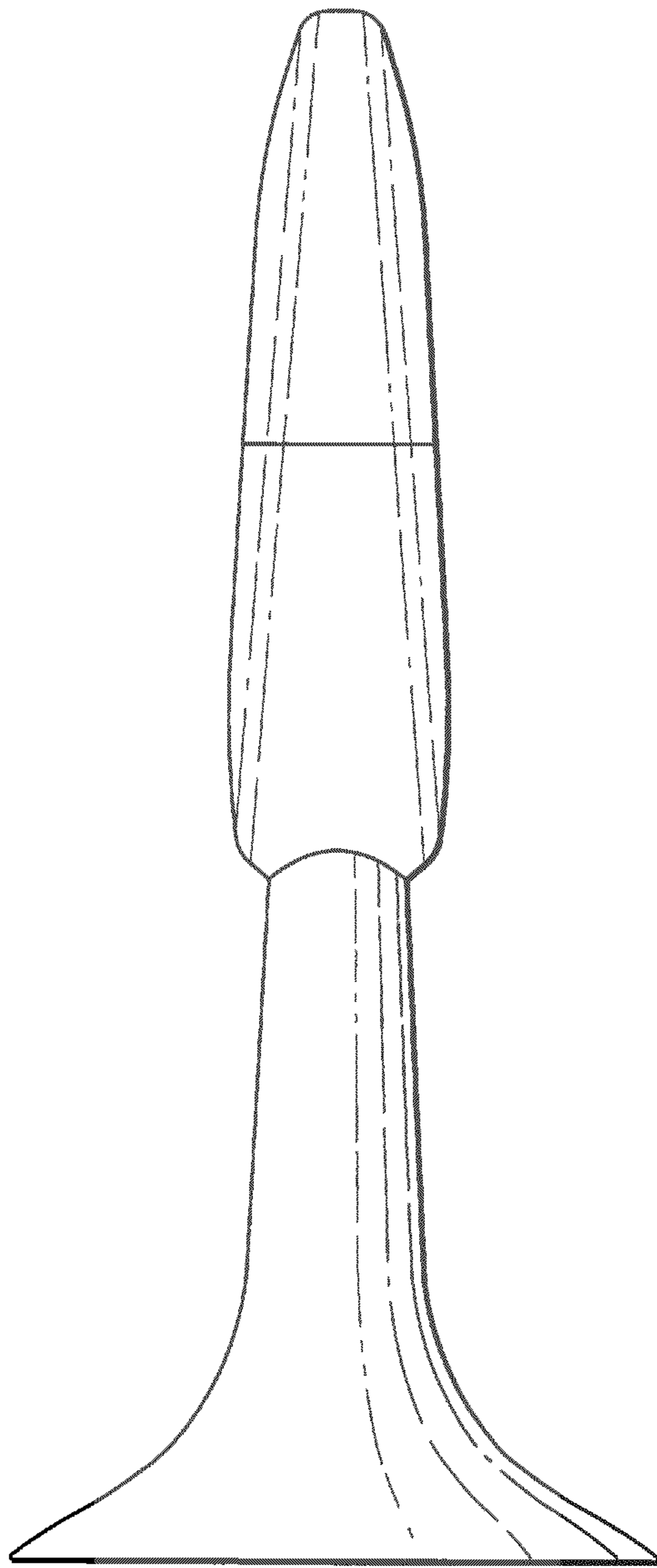


FIG. 5

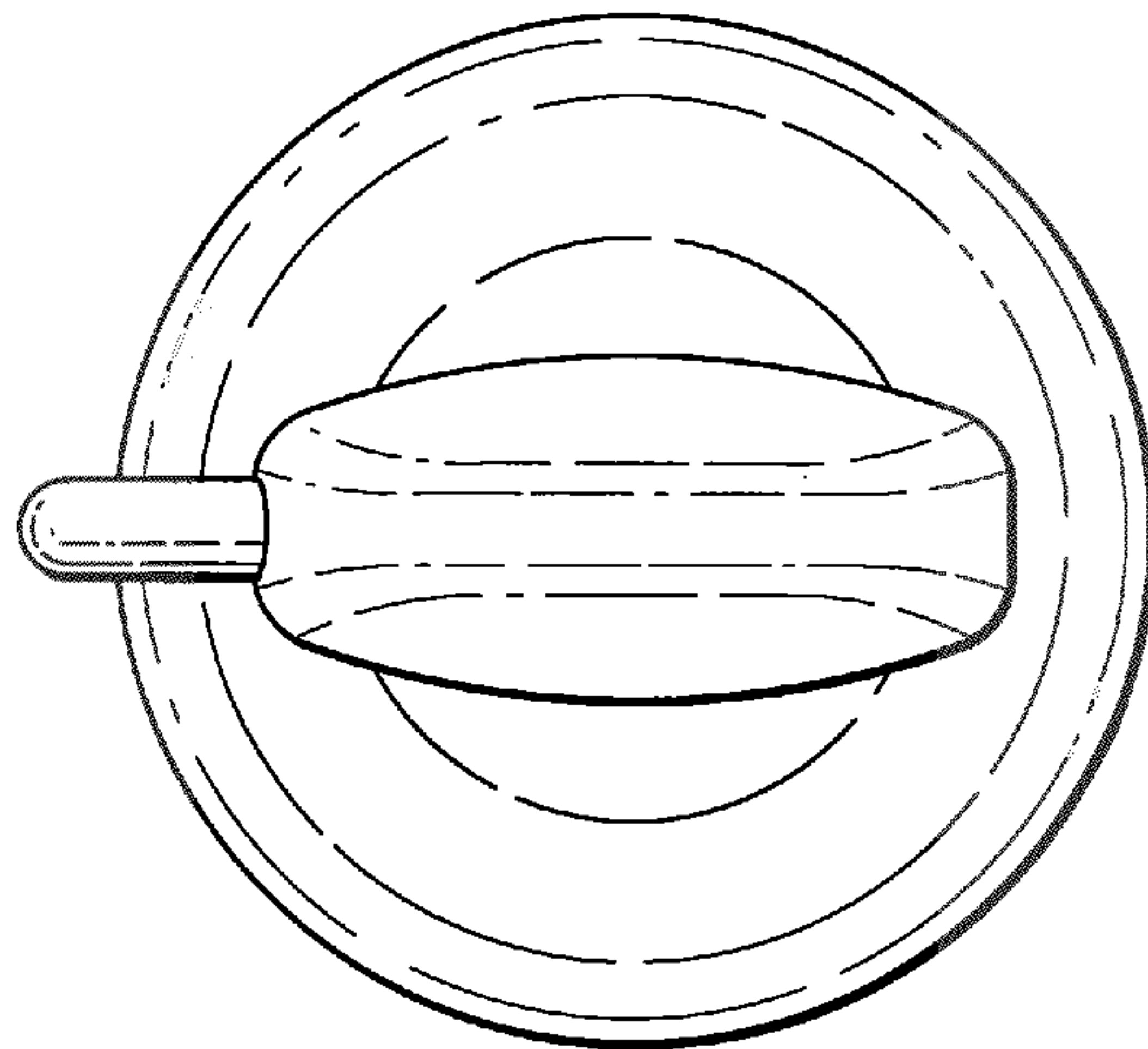


FIG. 6

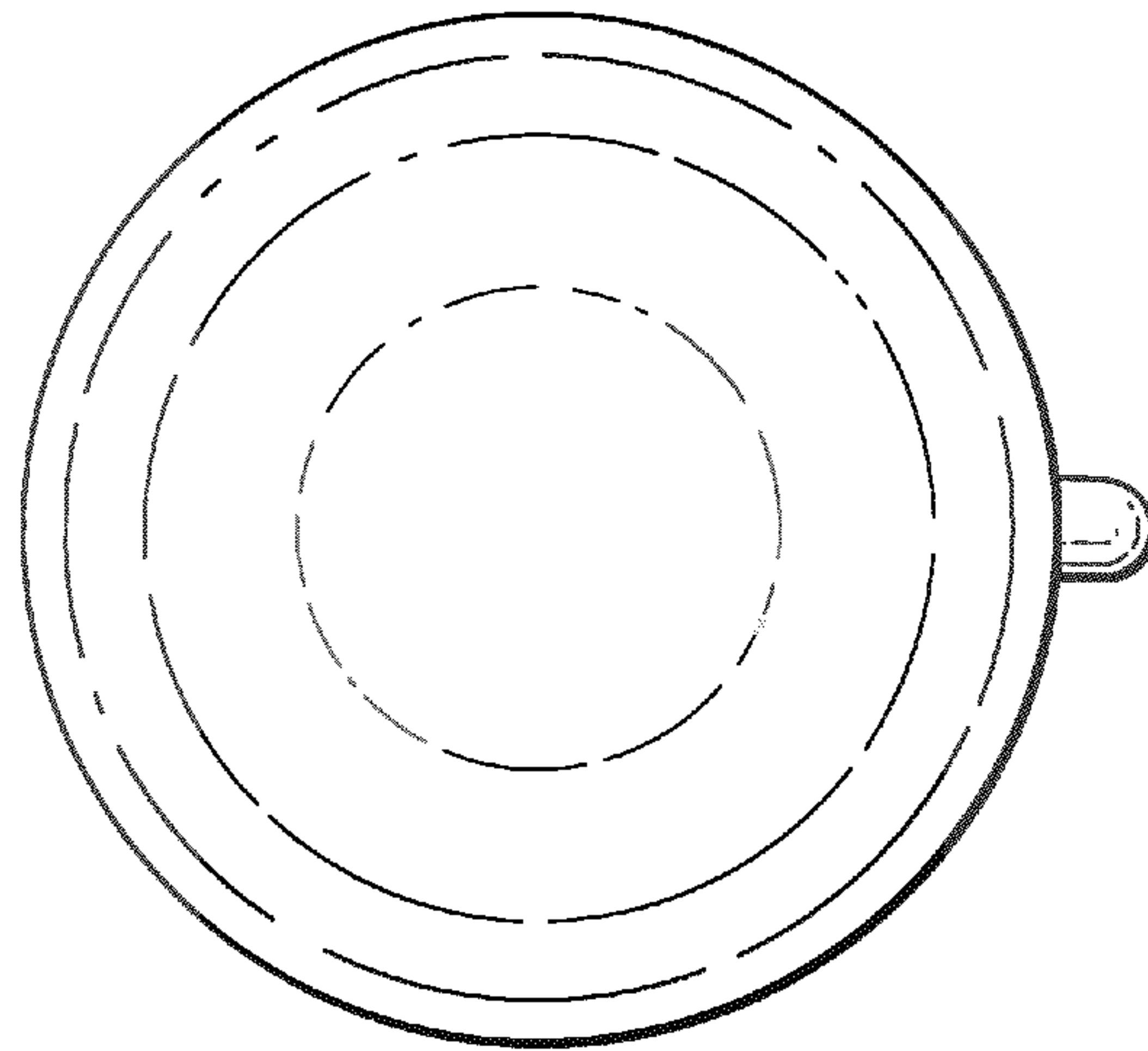


FIG. 7

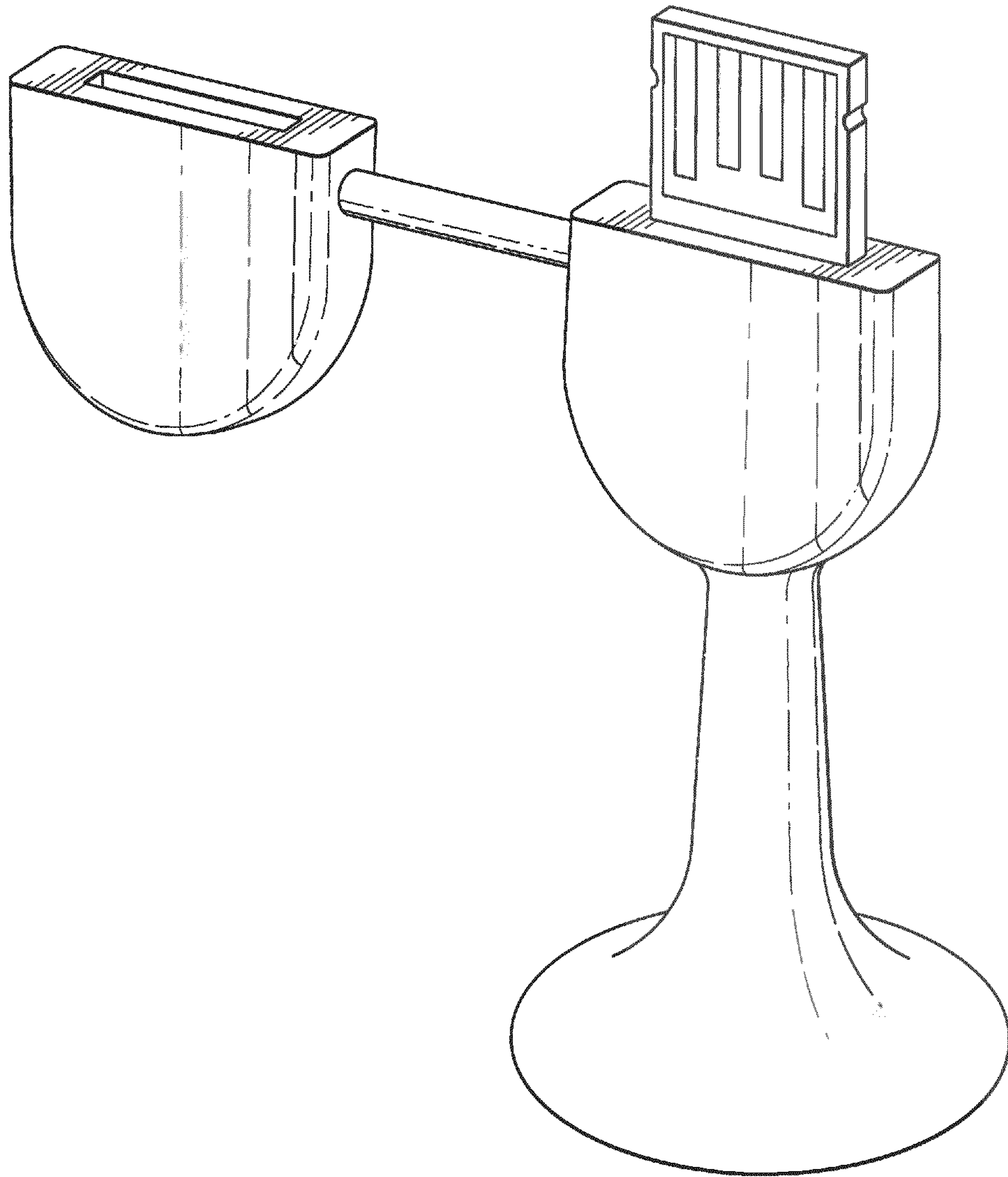


FIG. 8

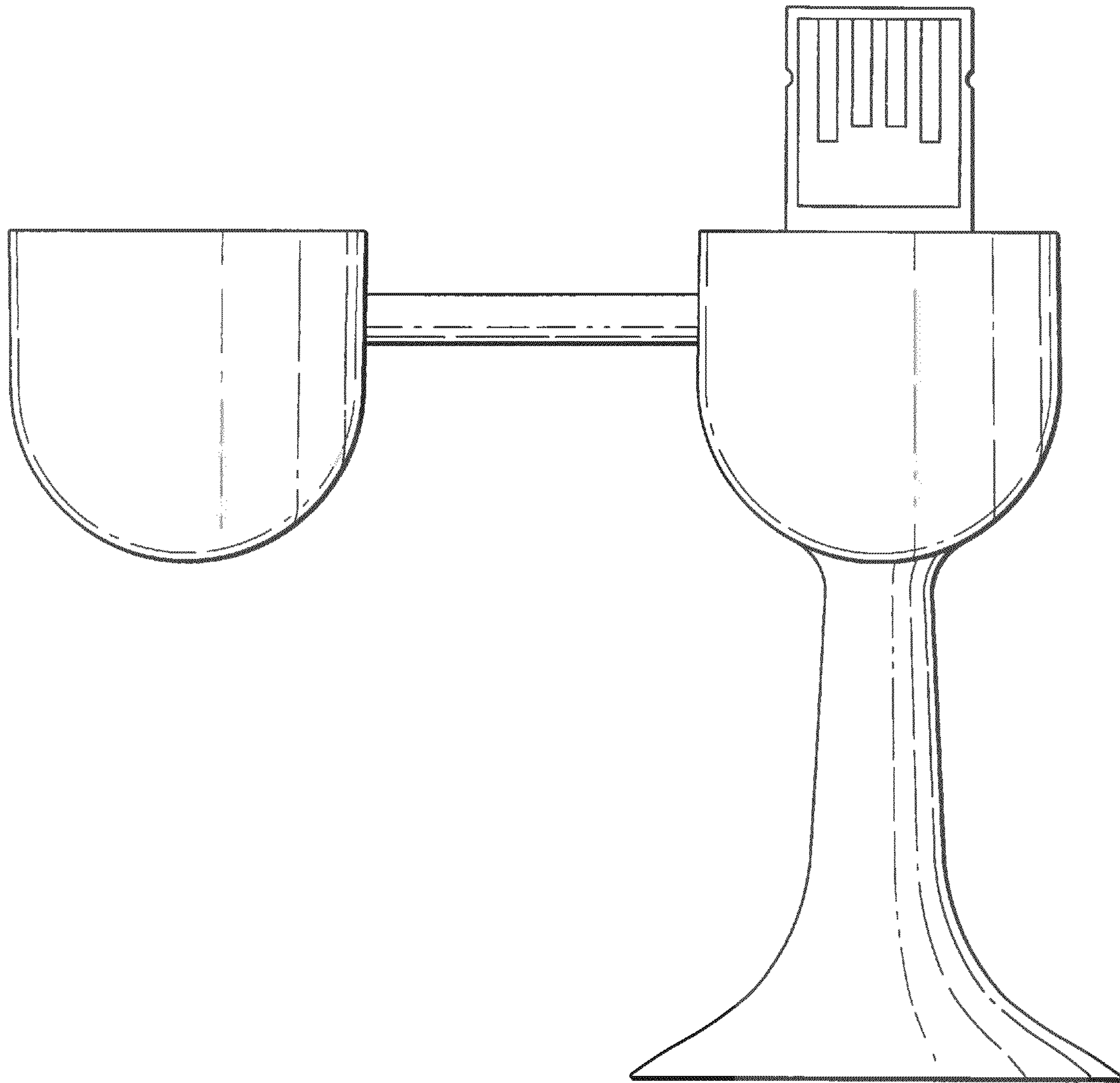


FIG. 9

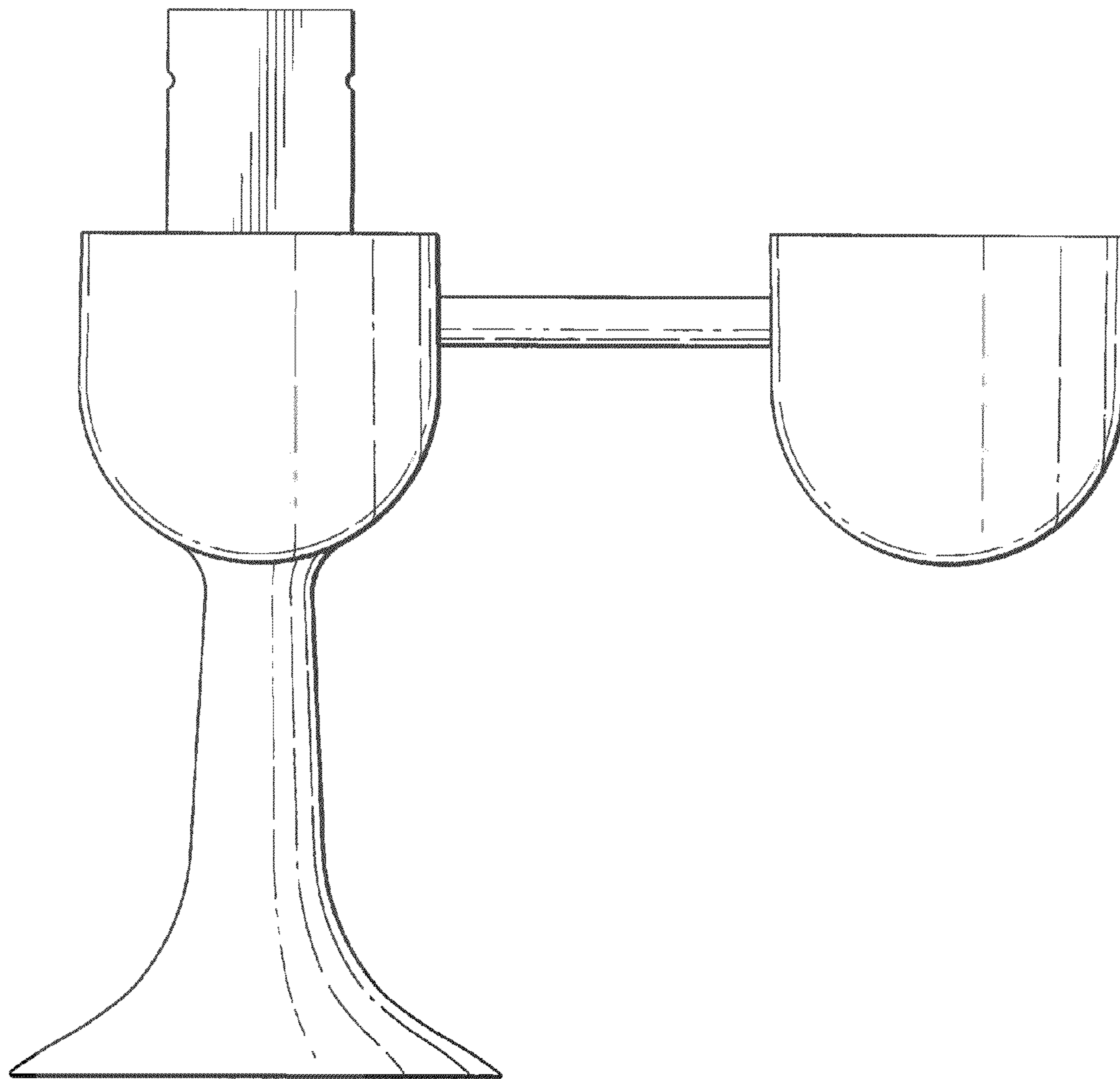


FIG. 10

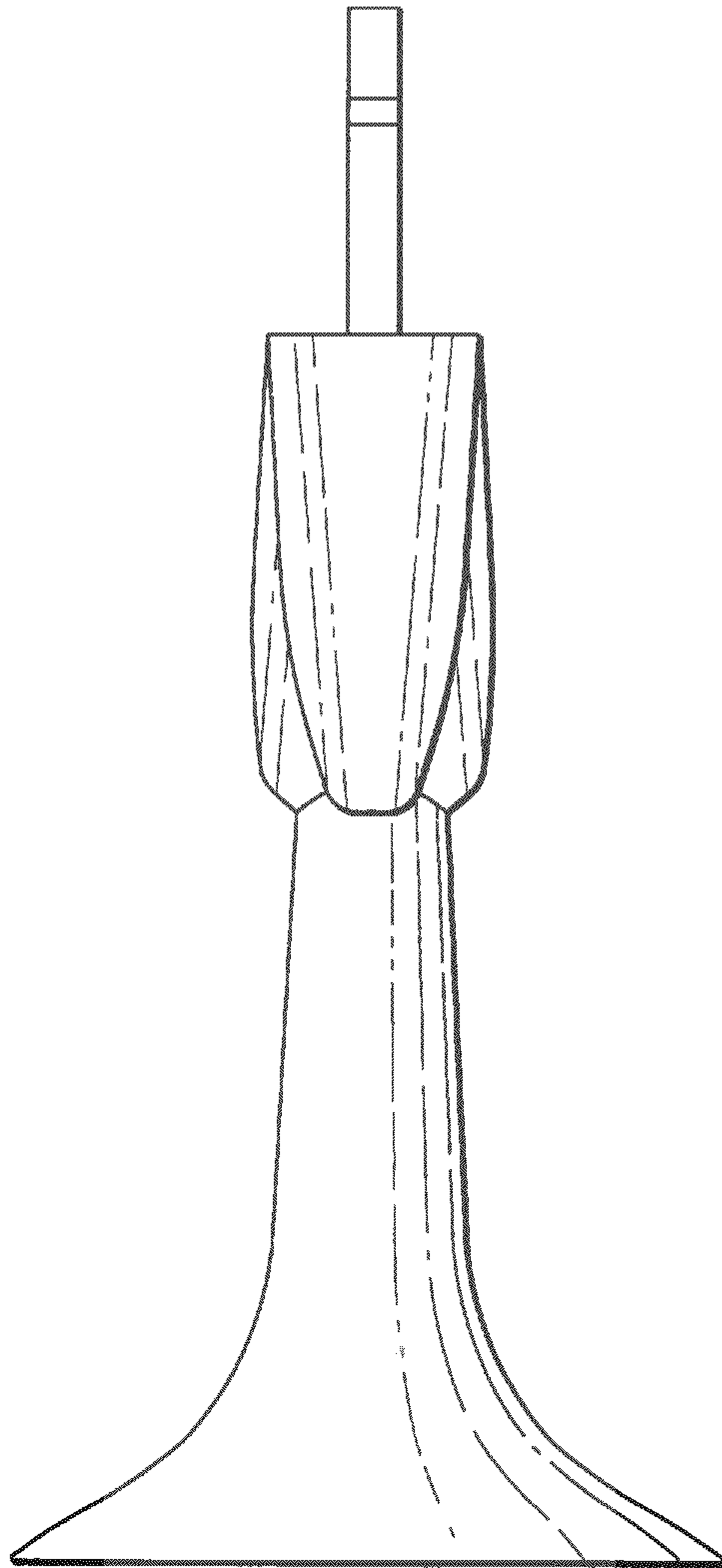


FIG. II

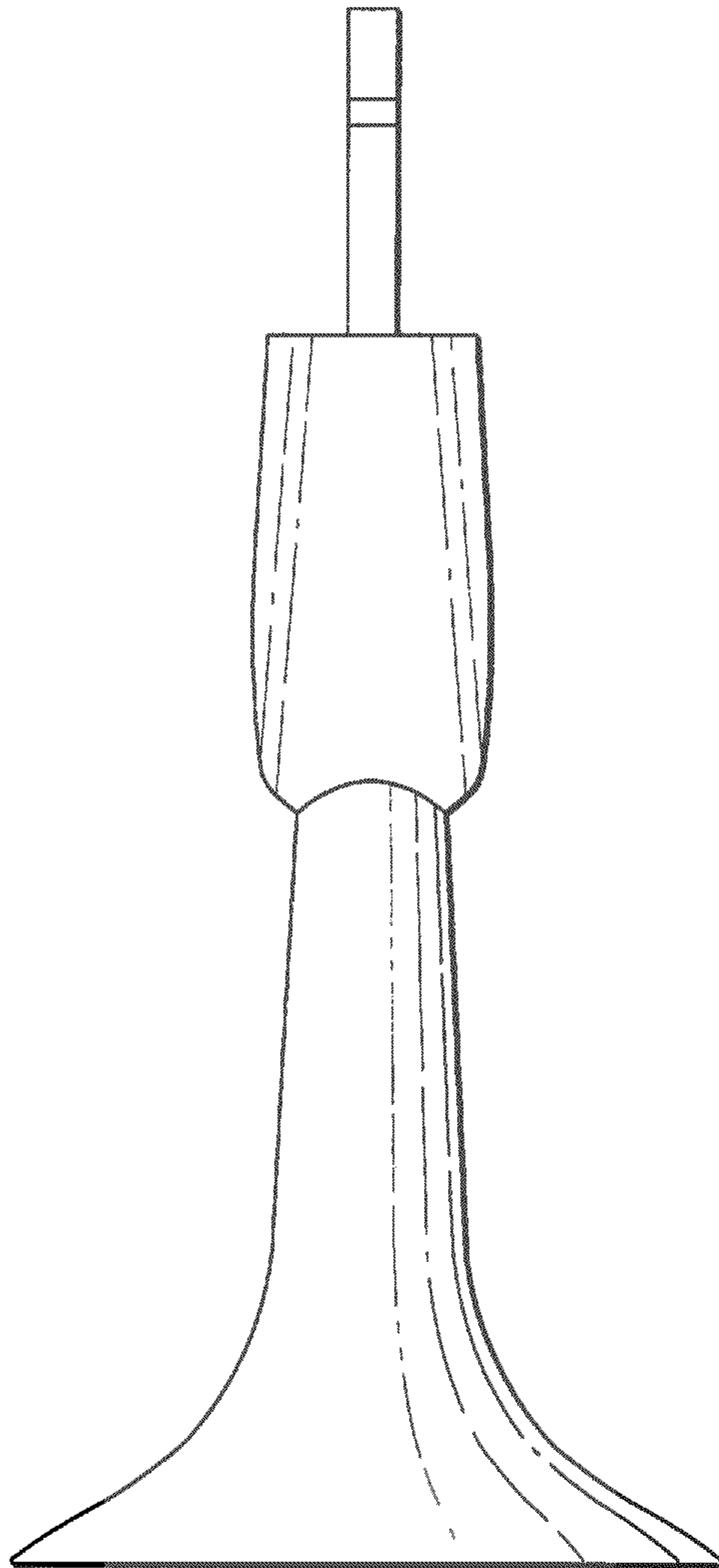


FIG. 12

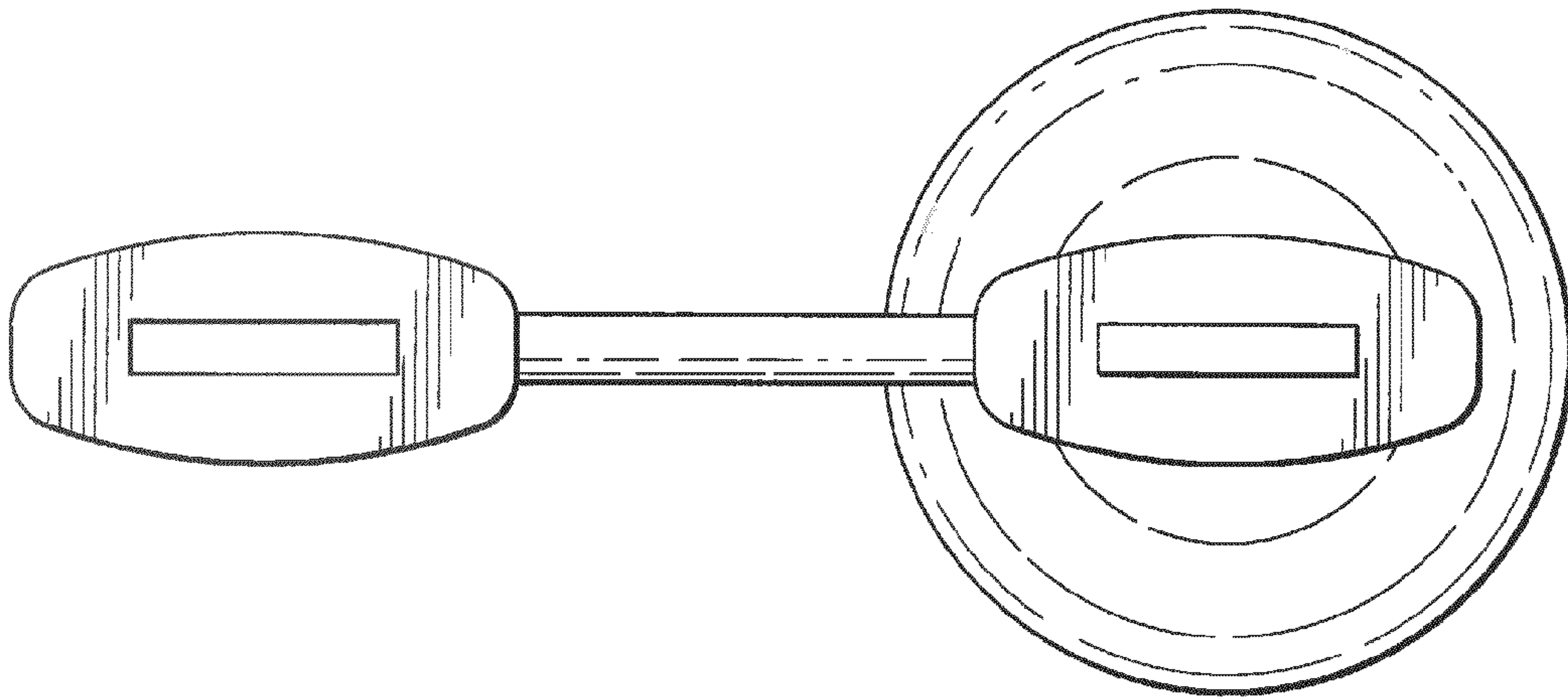


FIG. 13

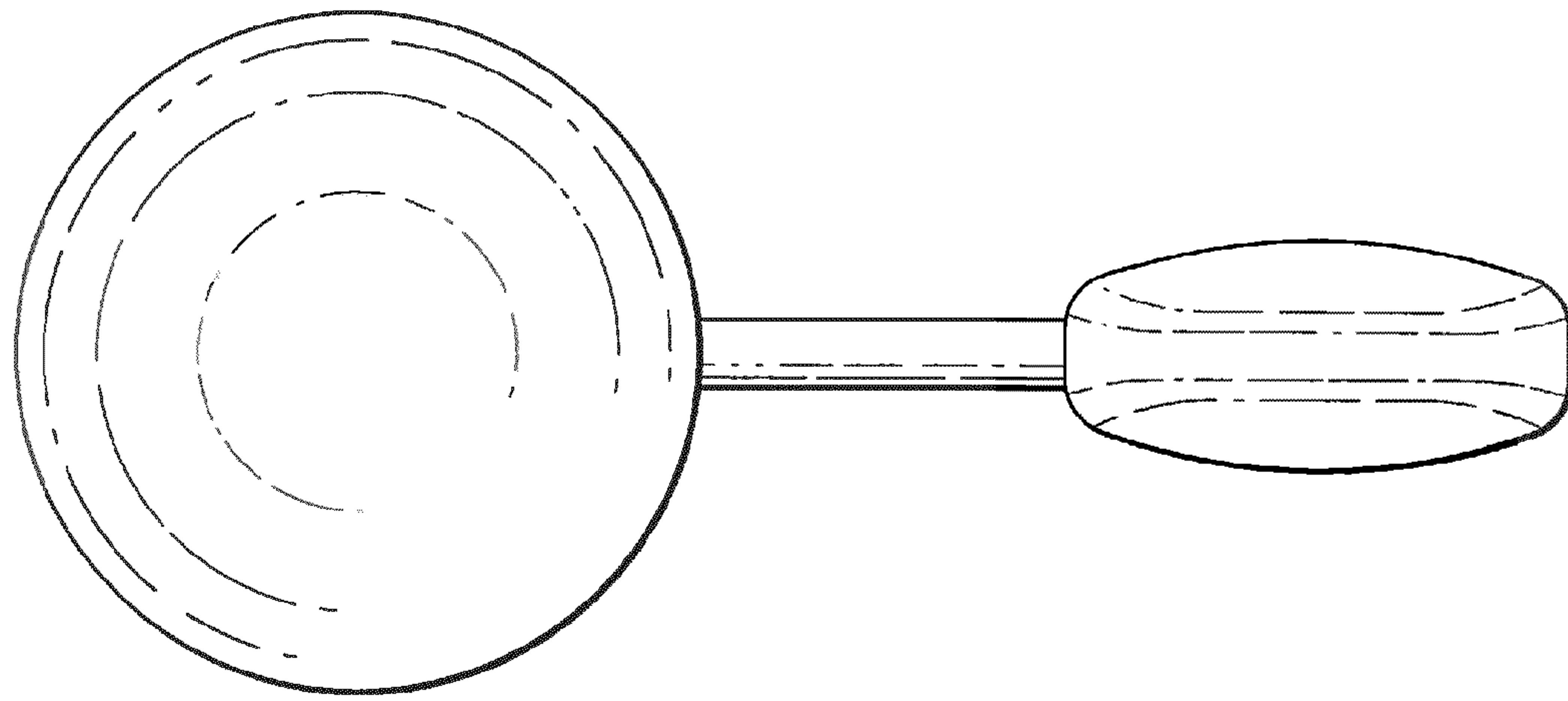


FIG. 14