



US00D689871S

(12) **United States Design Patent**
Anderson et al.

(10) **Patent No.:** **US D689,871 S**

(45) **Date of Patent:** **** Sep. 17, 2013**

- (54) **USB DRIVE**
- (71) Applicant: **Leef, Ltd.**, Alamo, CA (US)
- (72) Inventors: **Jon Lee Anderson**, Salt Lake City, UT (US); **David F. Smurthwaite**, Alamo, CA (US)
- (73) Assignee: **Leef, Ltd.**, Alamo, CA (US)
- (**) Term: **14 Years**
- (21) Appl. No.: **29/435,718**
- (22) Filed: **Oct. 26, 2012**
- (51) **LOC (9) Cl.** **14-02**
- (52) **U.S. Cl.**
USPC **D14/480.1**
- (58) **Field of Classification Search**
USPC D14/411, 433, 435.1, 436, 480.1–480.7,
D14/484.1, 137, 155, 203.1–203.8, 240;
D13/133, 154; 361/679.31, 679.33, 679.4,
361/752; 439/131, 135–147; 710/300, 301;
711/100, 115
See application file for complete search history.

D489,053	S	*	4/2004	Nakamura	D14/480.5
D512,434	S	*	12/2005	Hioki	D14/484.1
D536,700	S	*	2/2007	Landau	D14/480.5
D539,285	S	*	3/2007	Landau	D14/480.2
D546,768	S	*	7/2007	Sengupta et al.	D13/151
D585,893	S	*	2/2009	Wang	D14/480.2
7,551,450	B2	*	6/2009	Sugawara et al.	361/752
D670,711	S	*	11/2012	Ma	D14/480.1
2005/0157462	A1	*	7/2005	Sugawara et al.	361/684
2012/0322281	A1	*	12/2012	Chou et al.	439/131

OTHER PUBLICATIONS

A-Data Technology: Classic Series PD0 Flash Drive, [online], [retrieved on Jul. 3, 2007]. Retrieved from the Internet <URL: http://www.adata.com.tw/adata_en/product_show.php?ProductNo=AP00ZZZBU>.*

Our Products—usbcell.com, [online], [retrieved on Sep. 23, 2006]. Retrieved from the Internet <URL: <http://www.usbcell.com/products>>.*

(Continued)

Primary Examiner — Karen E Kearney
(74) *Attorney, Agent, or Firm* — Perkins Coie LLP

(57) **CLAIM**
The ornamental design for a USB drive, as shown and described.

(56) **References Cited**

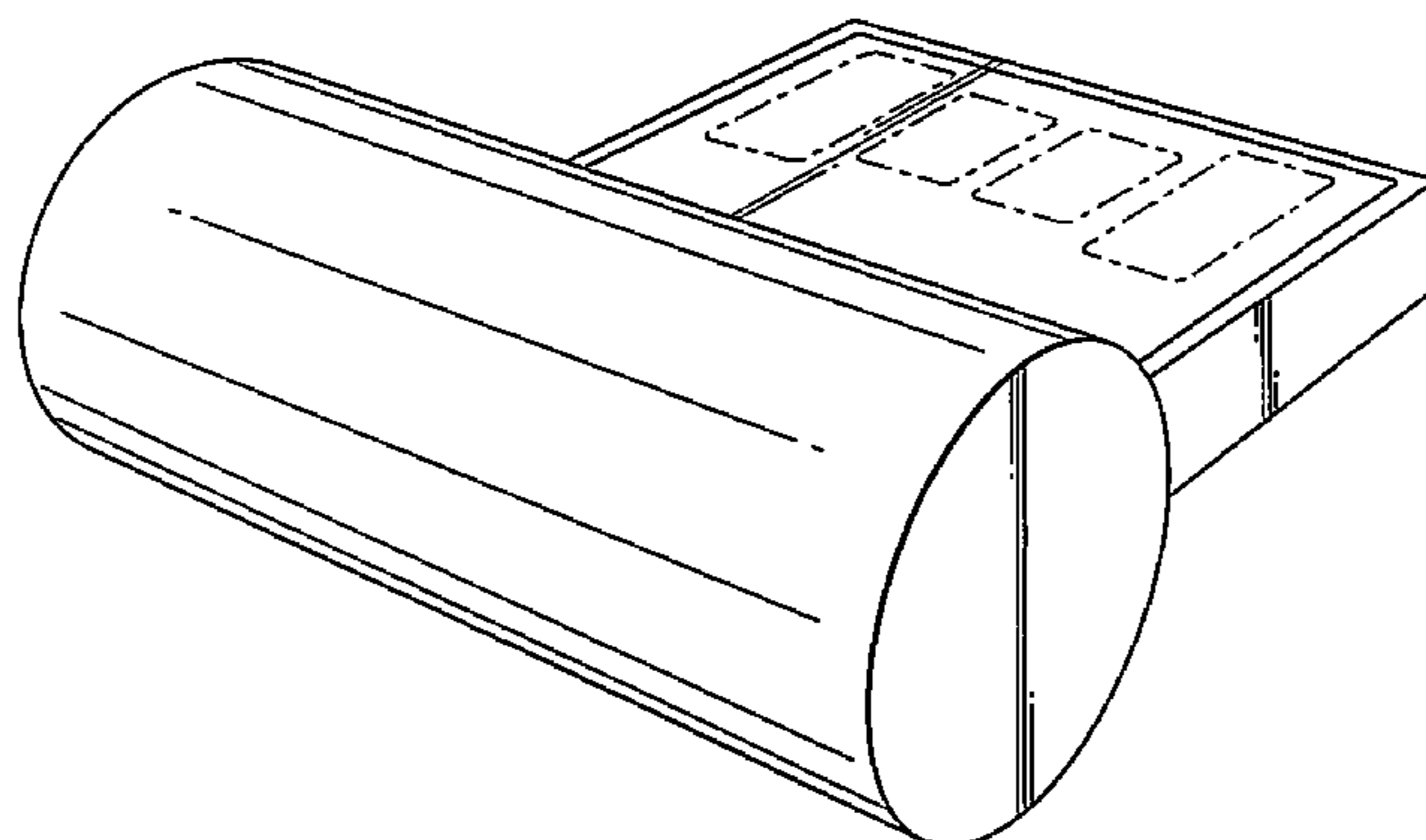
U.S. PATENT DOCUMENTS

810,210	A	*	1/1906	Laws	426/5
1,122,548	A	*	12/1914	Starrett	426/132
1,638,963	A	*	8/1927	Schreiber	426/102
1,638,964	A	*	8/1927	Schreiber	426/289
2,685,517	A	*	8/1954	Dunmire	426/72
3,579,859	A	*	5/1971	Malenge	434/96
4,185,125	A	*	1/1980	Sakakibara et al.	426/439
4,185,126	A	*	1/1980	Spors	426/512
D272,440	S	*	1/1984	Morrow	D14/240
4,587,450	A	*	5/1986	Ozaki	310/156.11
5,447,584	A	*	9/1995	Shakespeare et al.	156/63
D466,492	S	*	12/2002	Matsuoka	D14/162
D471,155	S	*	3/2003	Cheng	D13/133
D480,689	S	*	10/2003	Ishibashi et al.	D13/154

DESCRIPTION

FIG. 1 is a perspective view of the ornamental design for a USB drive, as seen from the front, top side;
FIG. 2 is a front elevational view thereof;
FIG. 3 is a rear elevational view thereof;
FIG. 4 is a right side elevational view thereof;
FIG. 5 is a left side elevational view thereof;
FIG. 6 is a top plan view thereof; and,
FIG. 7 is a bottom plan view thereof.
The broken line showings of the portions of the connector are for the purpose of illustrating portions of the USB drive and form no part of the claimed design.

1 Claim, 4 Drawing Sheets



(56)

References Cited

OTHER PUBLICATIONS

[Online], [retrieved on Jan. 30, 2007]. Retrieved from the Internet
<URL: http://images.ahabaranews.com/news_pics/11760/1.jpg>.*

Web Archive, [online] archived Jan. 7, 2006 [retrieved on Jul. 6, 2007]. Retrieved from the Internet <URL: http://web.archive.org/web/20060107092152/http://www.tvsnob.com/images/tv_walker-thumb.jpg>.*

* cited by examiner

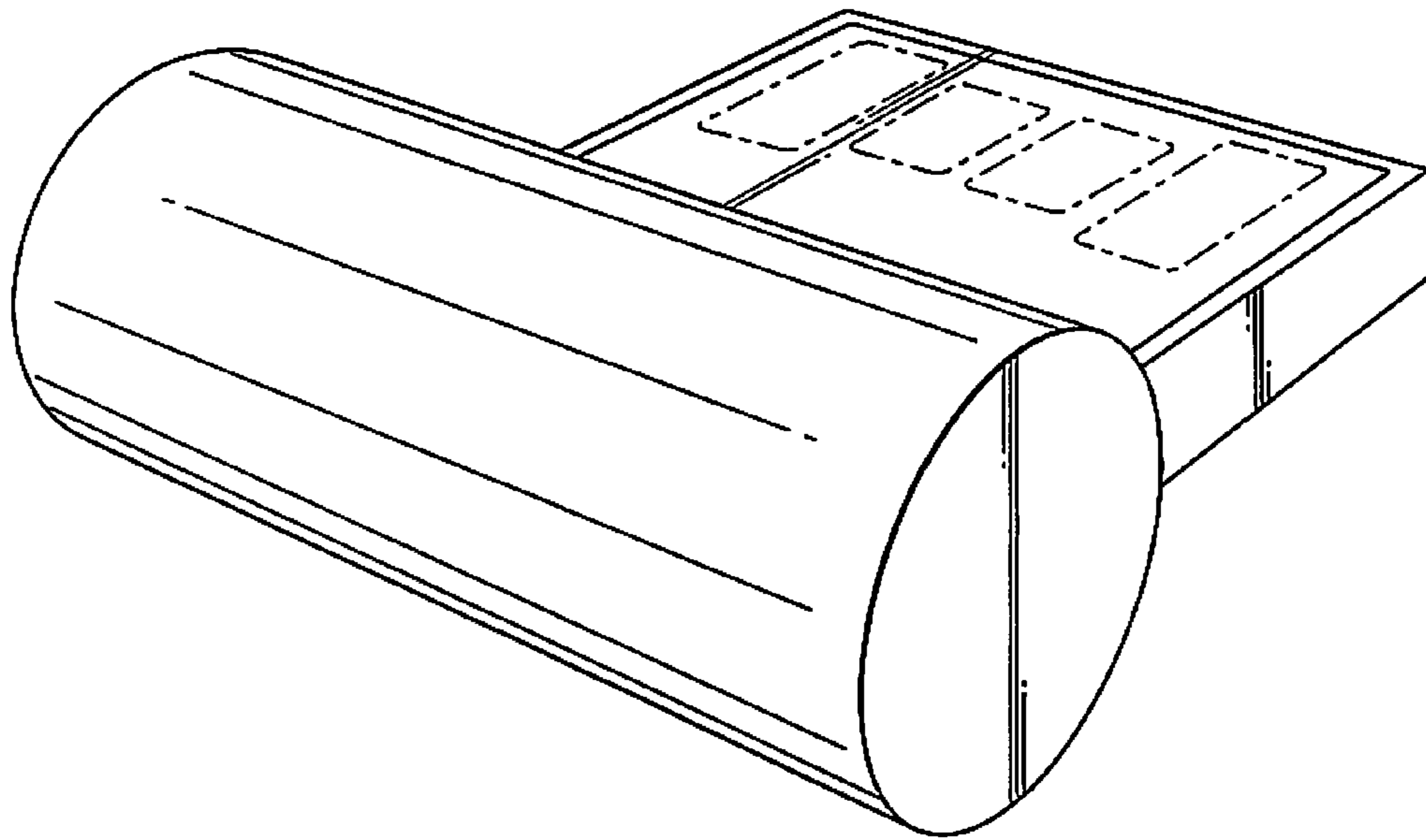


FIG. 1

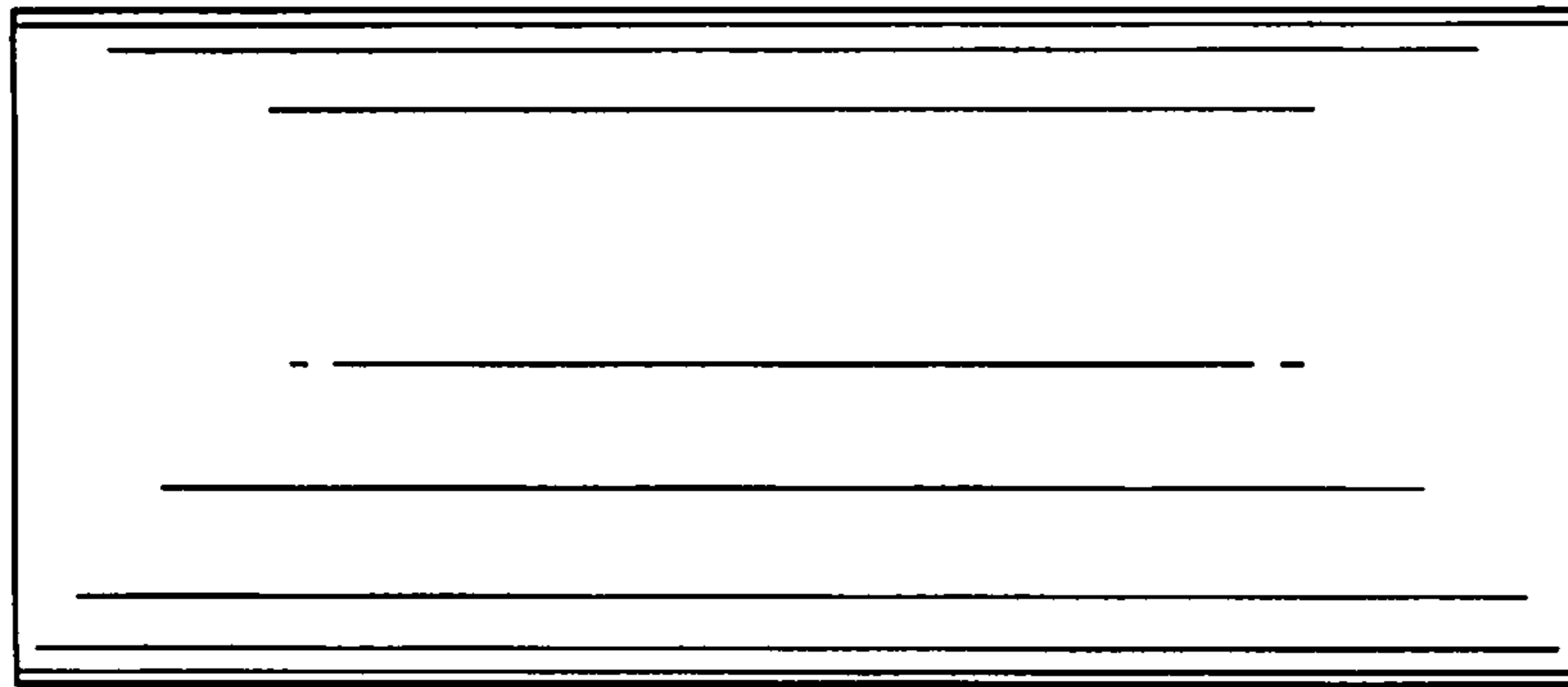


FIG. 2

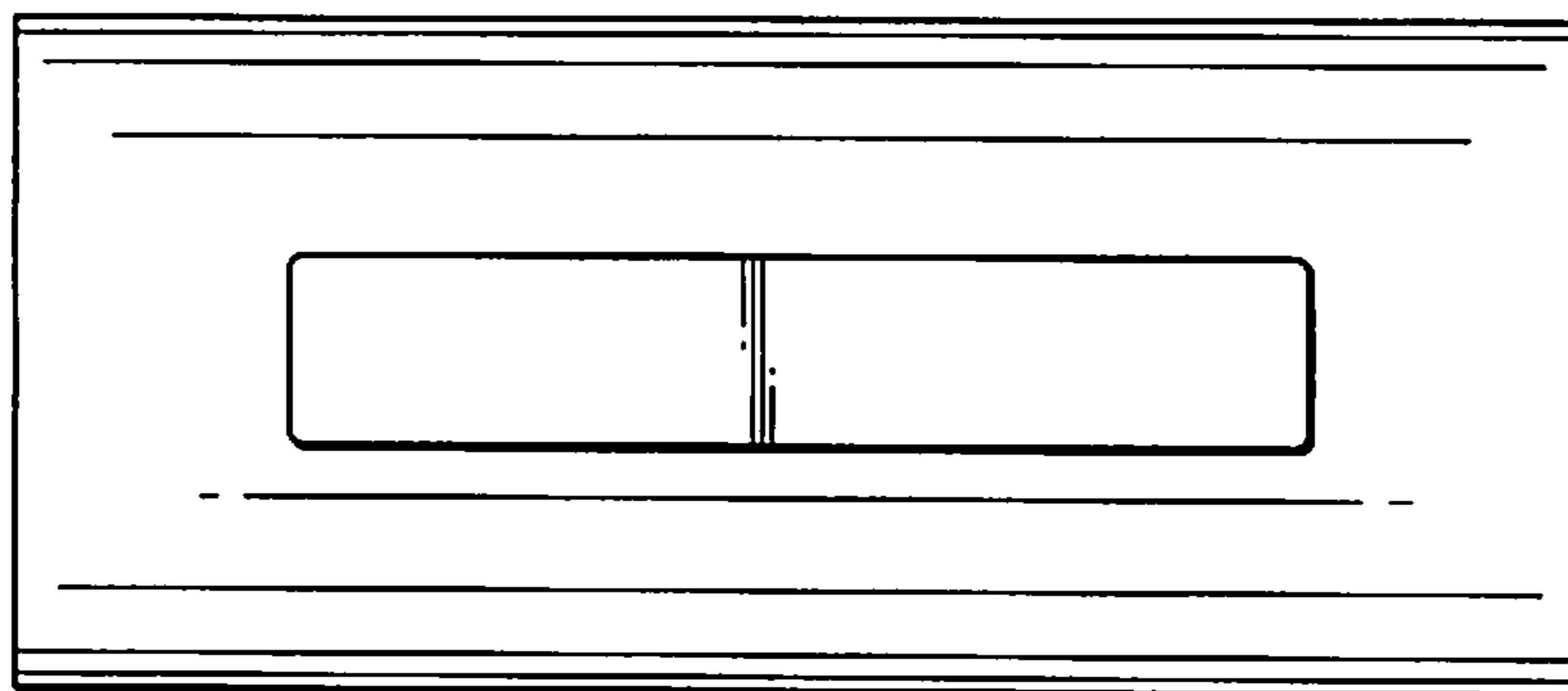


FIG. 3

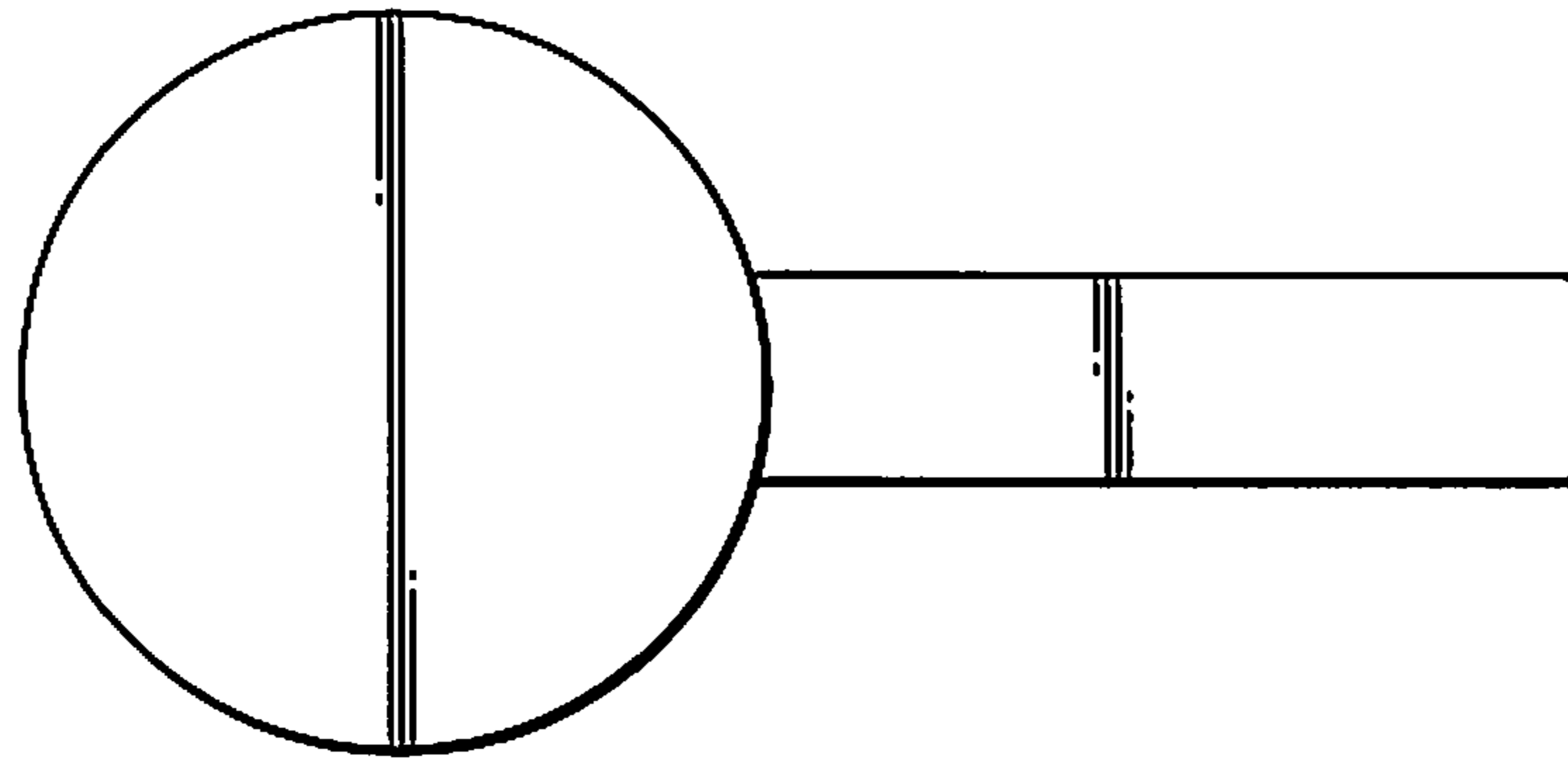


FIG. 4

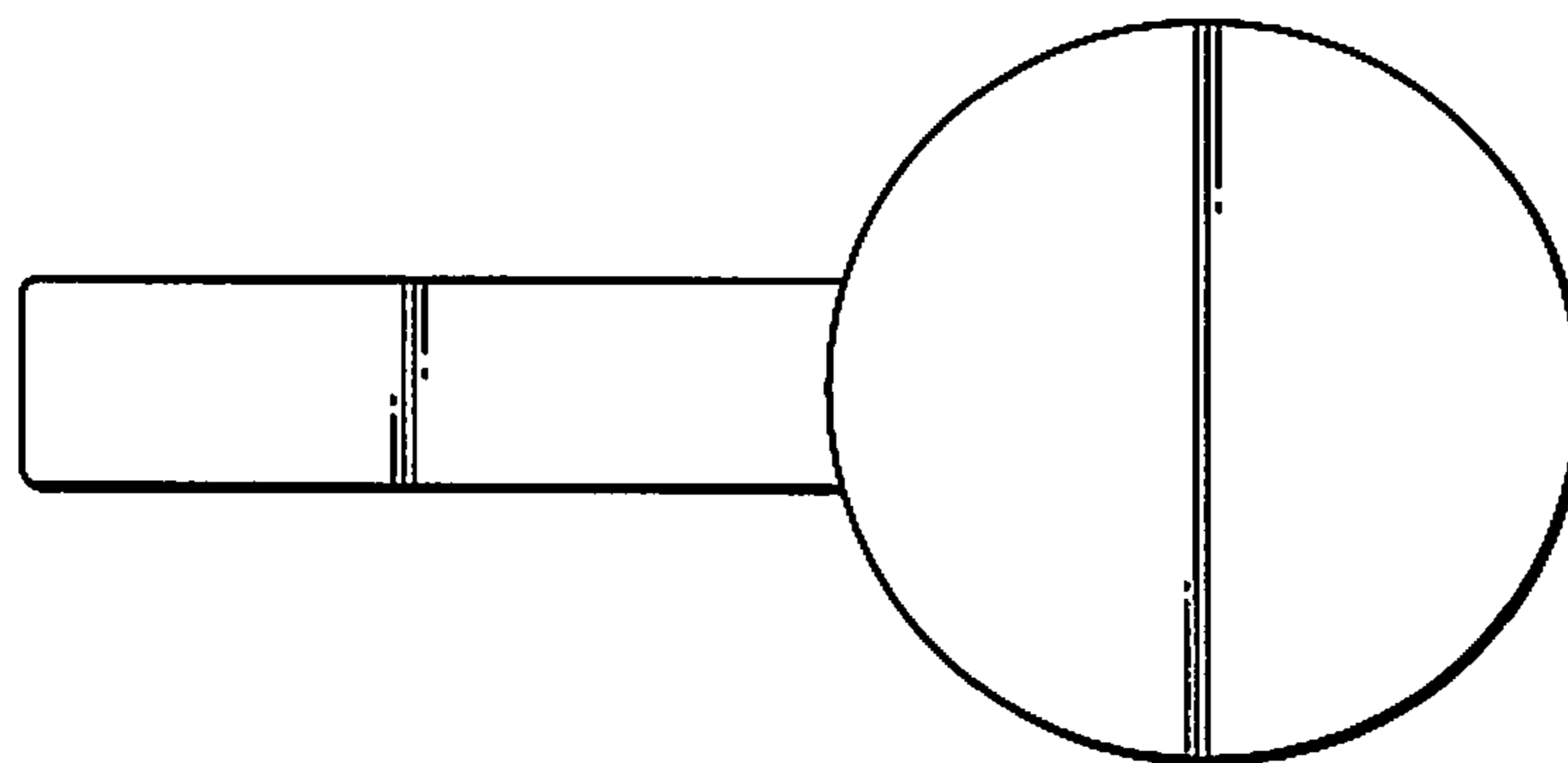


FIG. 5

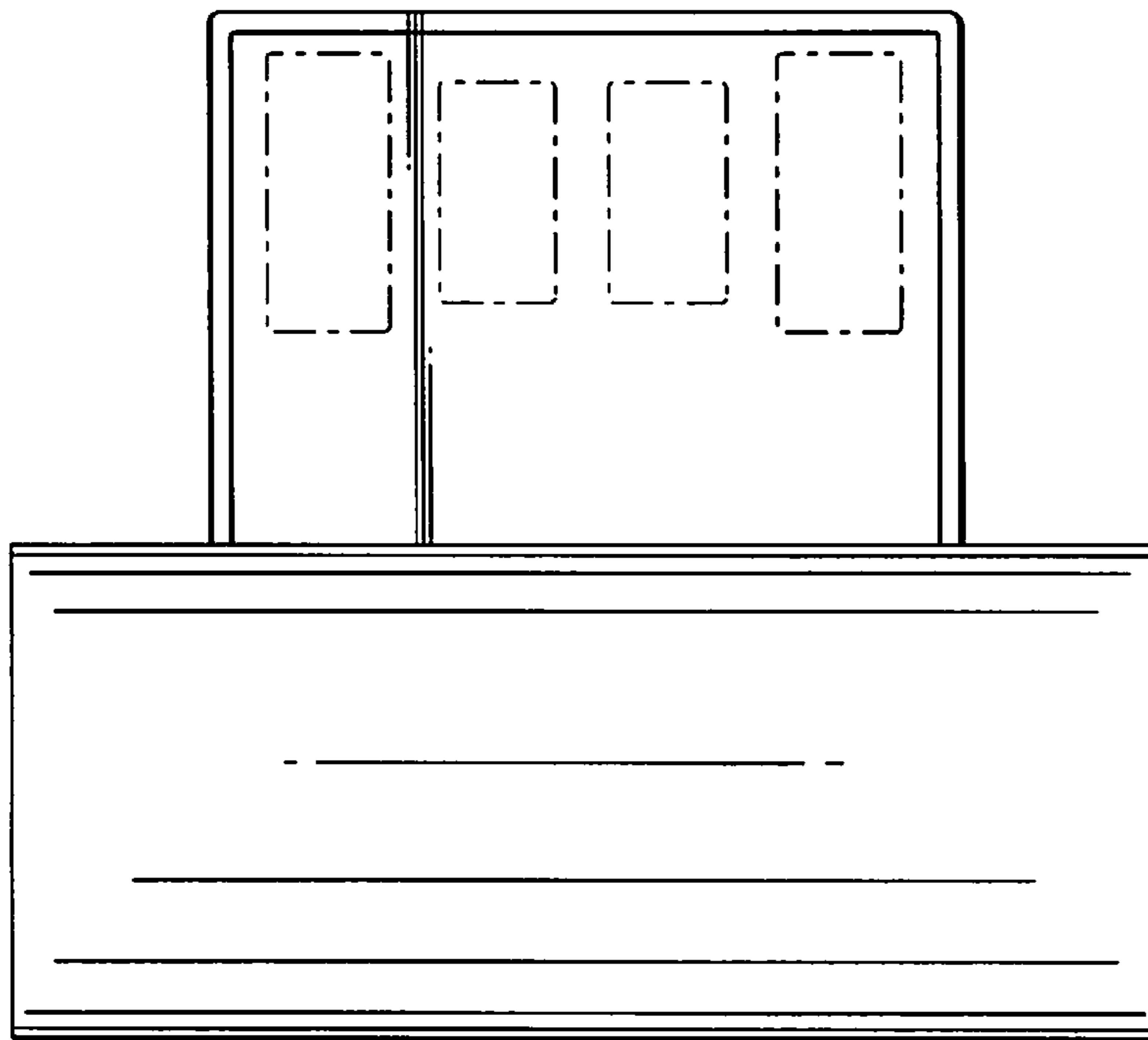


FIG. 6

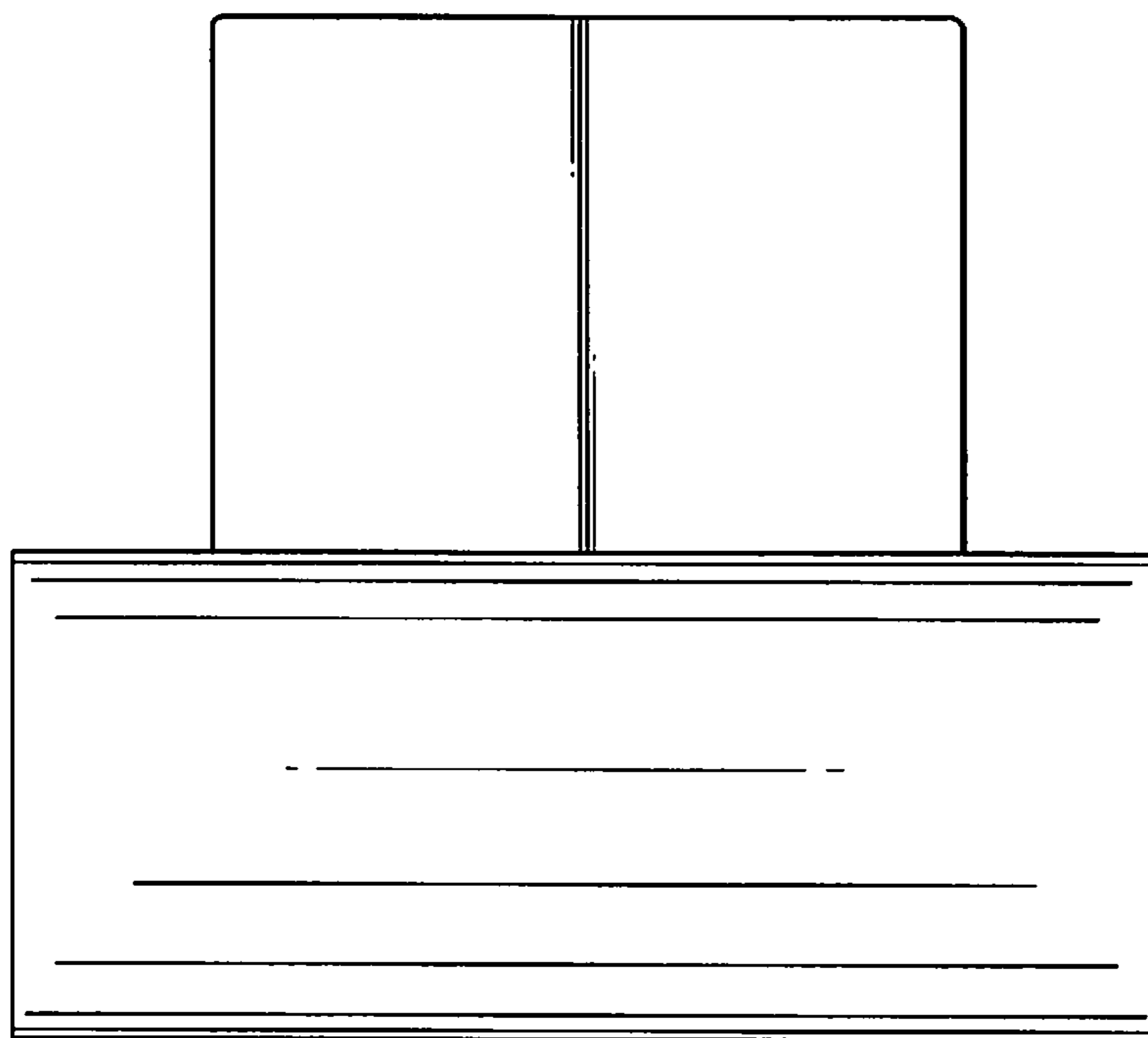


FIG. 7