



US00D689870S

(12) **United States Design Patent**
Fong et al.

(10) **Patent No.:** **US D689,870 S**

(45) **Date of Patent:** **** Sep. 17, 2013**

(54) **ACCESSORY STAND**

(71) Applicant: **Compal Electronics, Inc.**, Taipei (TW)

(72) Inventors: **Ya-San Fong**, Taipei (TW); **Pei-Yu Lu**, Taipei (TW); **I-Kai Liu**, Taipei (TW); **Sheng-Siang Huang**, Taipei (TW); **Chun-Yi Ho**, Taipei (TW); **I-Lung Chen**, Taipei (TW); **Tung-Ying Wu**, Taipei (TW); **Chun-I Wu**, Taipei (TW); **Wei-Ting Chen**, Taipei (TW); **Shih-Ying Chang**, Taipei (TW); **Li-Wei Chen**, Taipei (TW)

(73) Assignee: **Compal Electronics, Inc.**, Taipei (TW)

(**) Term: **14 Years**

(21) Appl. No.: **29/441,363**

(22) Filed: **Jan. 4, 2013**

(51) **LOC (9) Cl.** **08-07**

(52) **U.S. Cl.**
USPC **D14/447**

(58) **Field of Classification Search**
USPC D14/432, 433, 434, 439, 440, 451, D14/452, 239, 217, 224.1, 251, 252, 253, D14/457, 458, 459, 460, 461; D6/406.1, D6/406.2, 406.3, 406.4, 406.5, 406.6; 361/679.06, 679.21, 679.22, 679.24, 679.26, 361/679.27, 679.28, 679.3, 679.55, 679.56, 361/709; 248/917-924, 133, 136, 139, 150, 248/176.1, 188.6

See application file for complete search history.

(56) **References Cited**

U.S. PATENT DOCUMENTS

D413,872 S * 9/1999 Jessen D14/447
D437,709 S * 2/2001 Edstrom D6/406.4

7,545,634 B2 * 6/2009 Simonian et al. 361/679.55
D620,942 S * 8/2010 Huang D14/447
D639,814 S * 6/2011 Farris-Gilbert et al. D14/447
D669,085 S * 10/2012 Coberly D14/447
D672,781 S * 12/2012 Lu D14/440
D673,157 S * 12/2012 Lu et al. D14/440
D673,158 S * 12/2012 Yang et al. D14/440
D674,396 S * 1/2013 Yang et al. D14/447
D679,279 S * 4/2013 Yang et al. D14/440
D682,839 S * 5/2013 Sampson et al. D14/447
2009/0159763 A1 * 6/2009 Kim 248/174

* cited by examiner

Primary Examiner — Angela J Lee

(74) *Attorney, Agent, or Firm* — Bacon & Thomas, PLLC

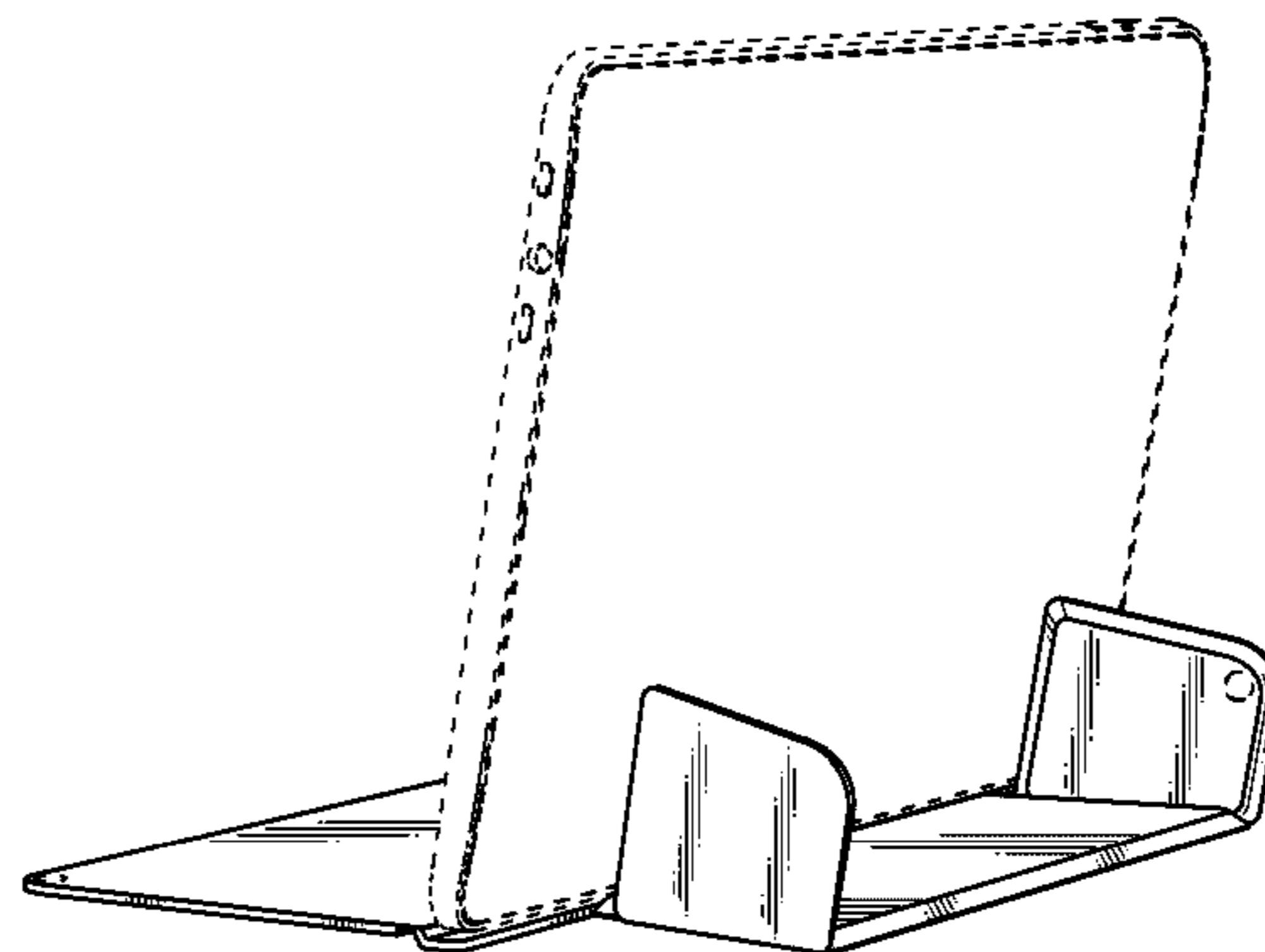
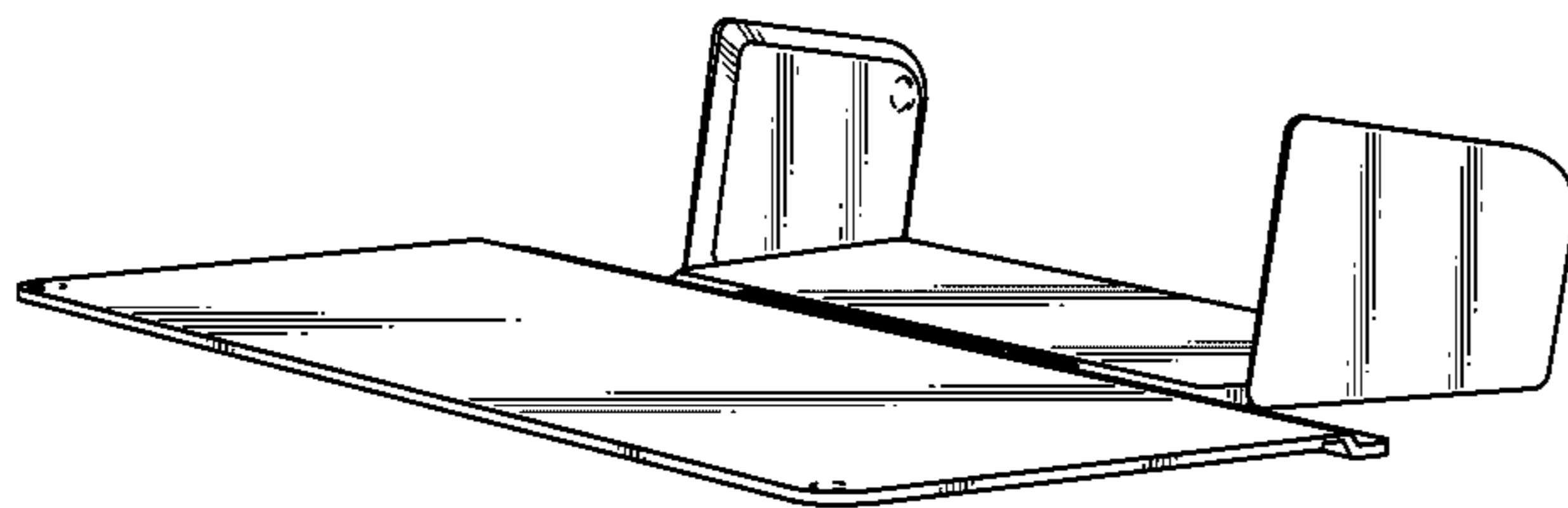
(57) **CLAIM**

The new design for the accessory stand, as shown and described.

DESCRIPTION

FIG. 1 is a top, front and left perspective view of an accessory stand in open state showing our new design;
FIG. 2 is a front view thereof;
FIG. 3 is a rear view thereof;
FIG. 4 is a right side view thereof;
FIG. 5 is a left side view thereof;
FIG. 6 is a top side plan view thereof;
FIG. 7 is a bottom side plan view thereof;
FIG. 8 is a top, front, and left perspective view of the accessory stand of FIG. 1 in close state;
FIG. 9 is a top, rear, and left perspective view of the accessory stand of FIG. 1 in open state;
FIG. 10 is a perspective view of FIG. 8 with a pad shown in broken lines for convenience of illustration and forming no part of the claimed design; and,
FIG. 11 is a perspective view of FIG. 9 with a pad shown in broken lines for convenience of illustration and forming no part of the claimed design.

1 Claim, 7 Drawing Sheets



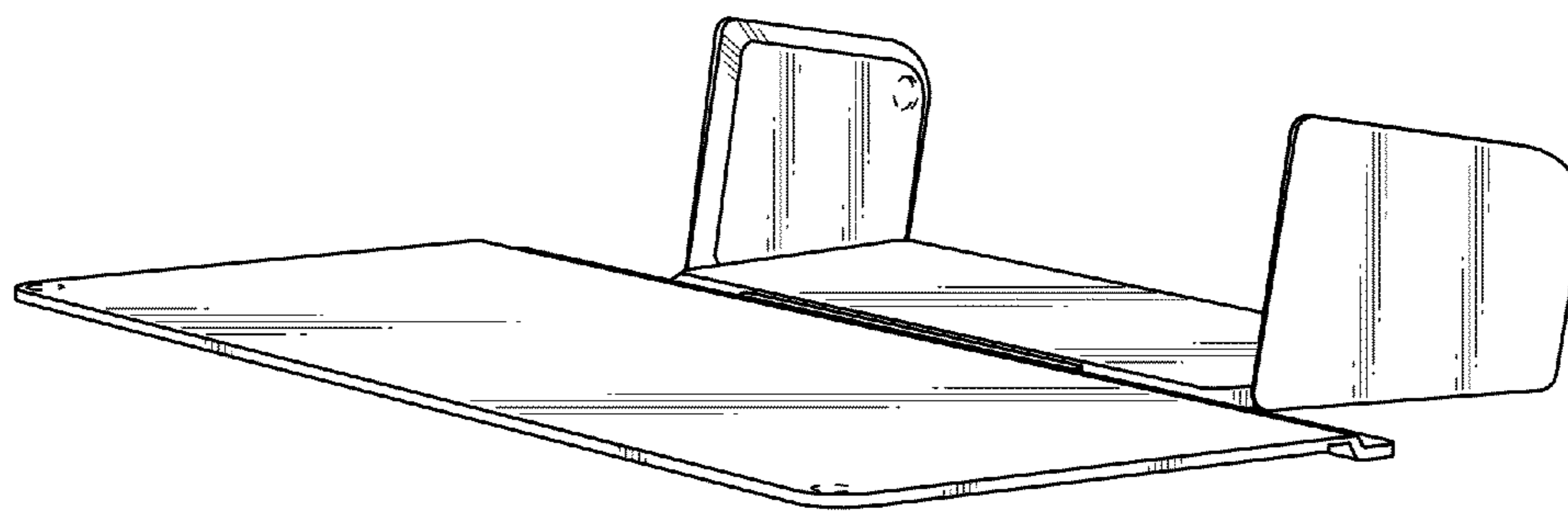


FIG. 1



FIG. 2



FIG. 3

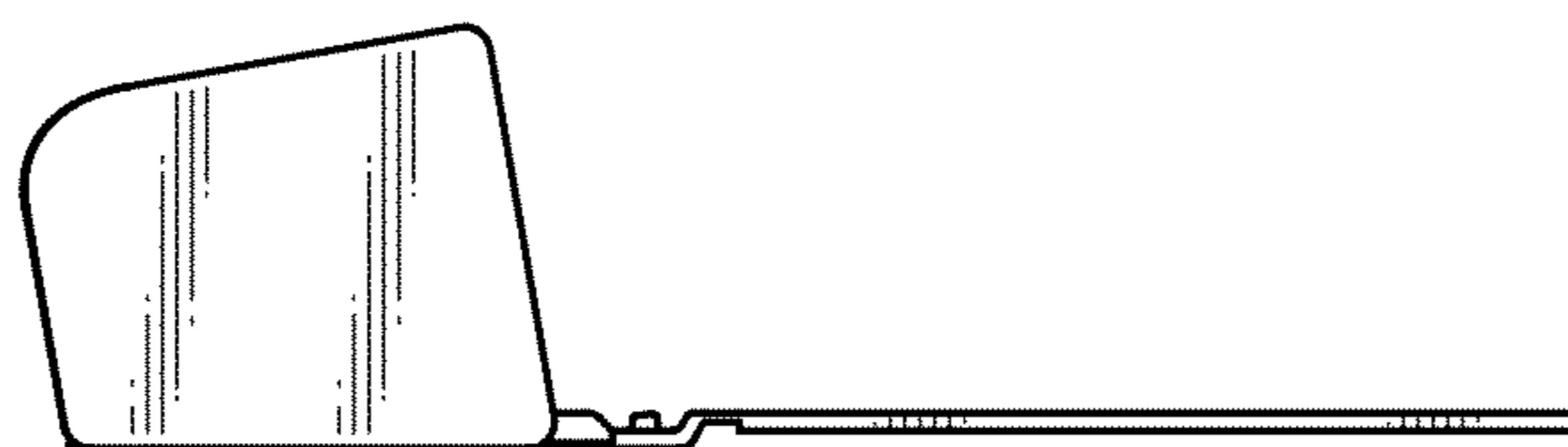


FIG. 4

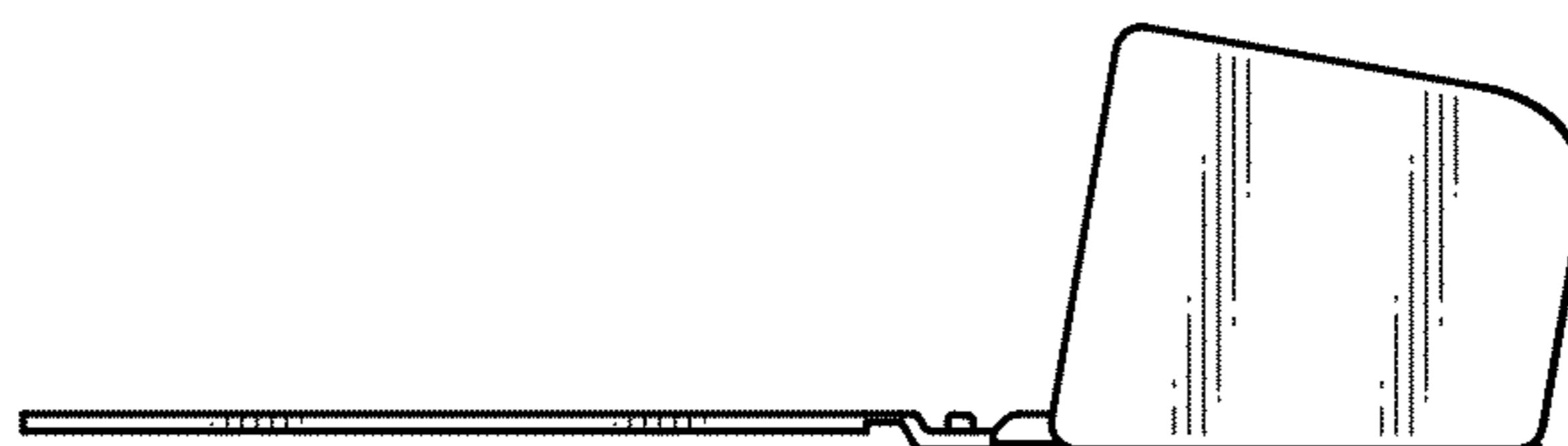


FIG. 5

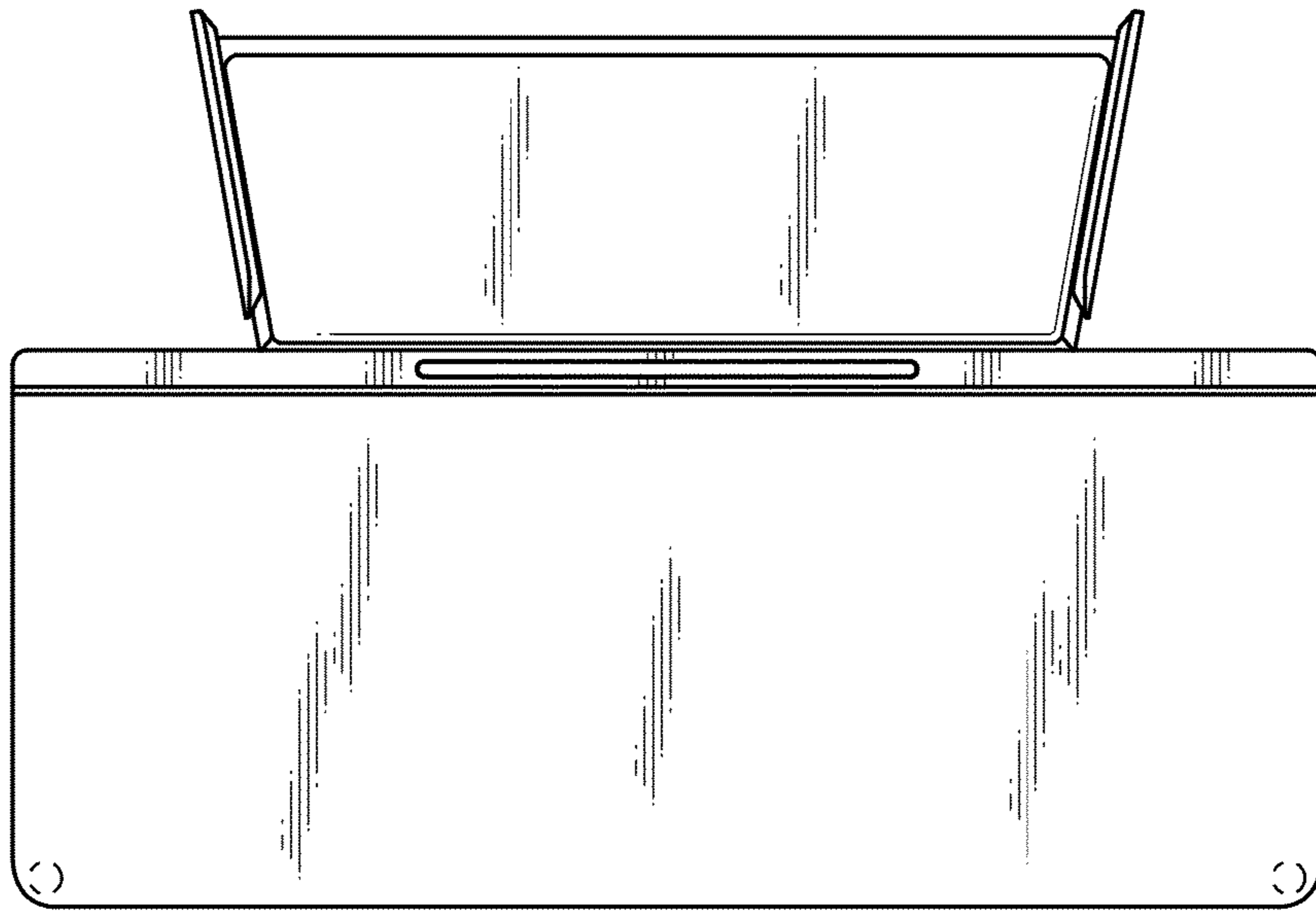


FIG. 6

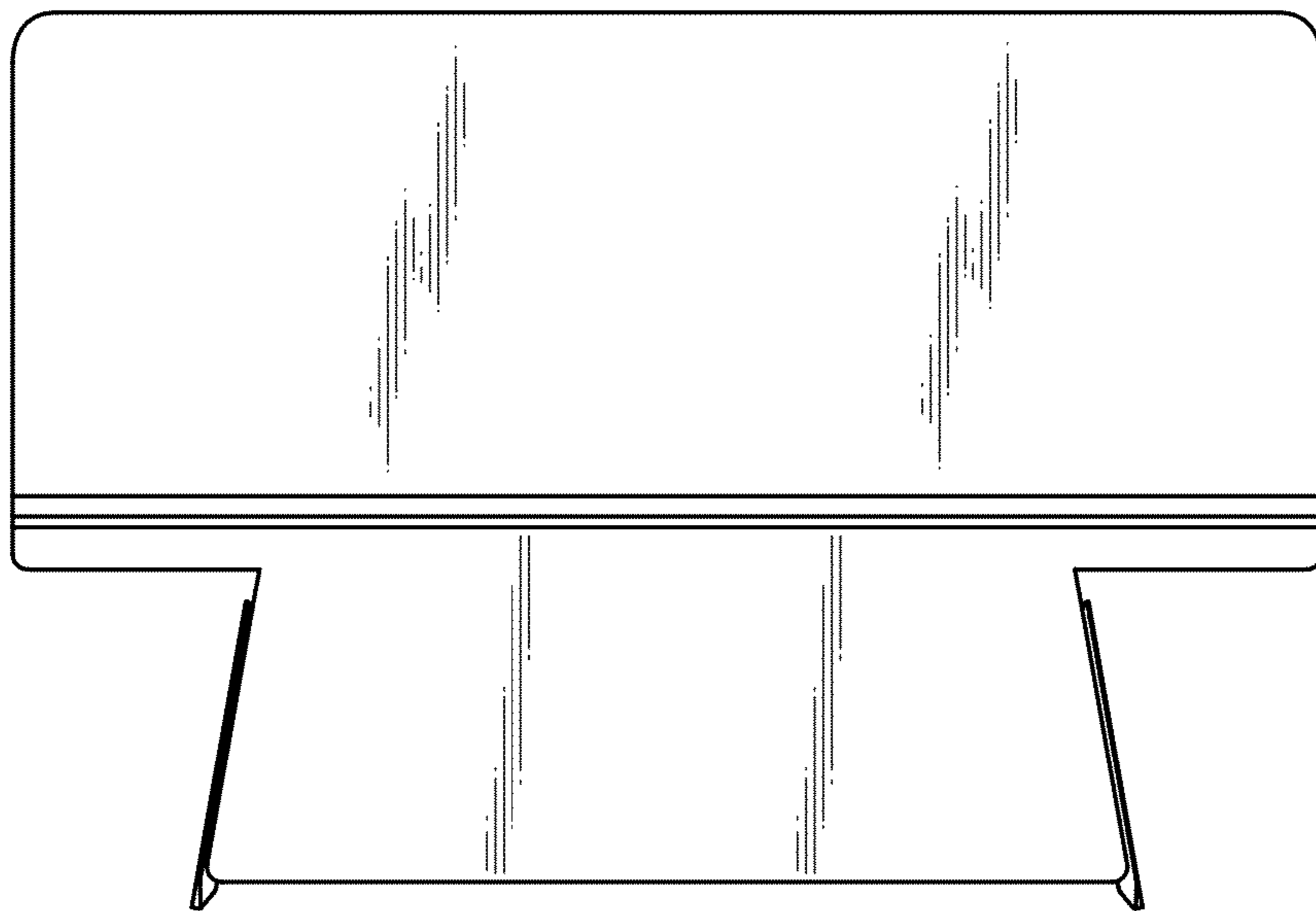


FIG. 7

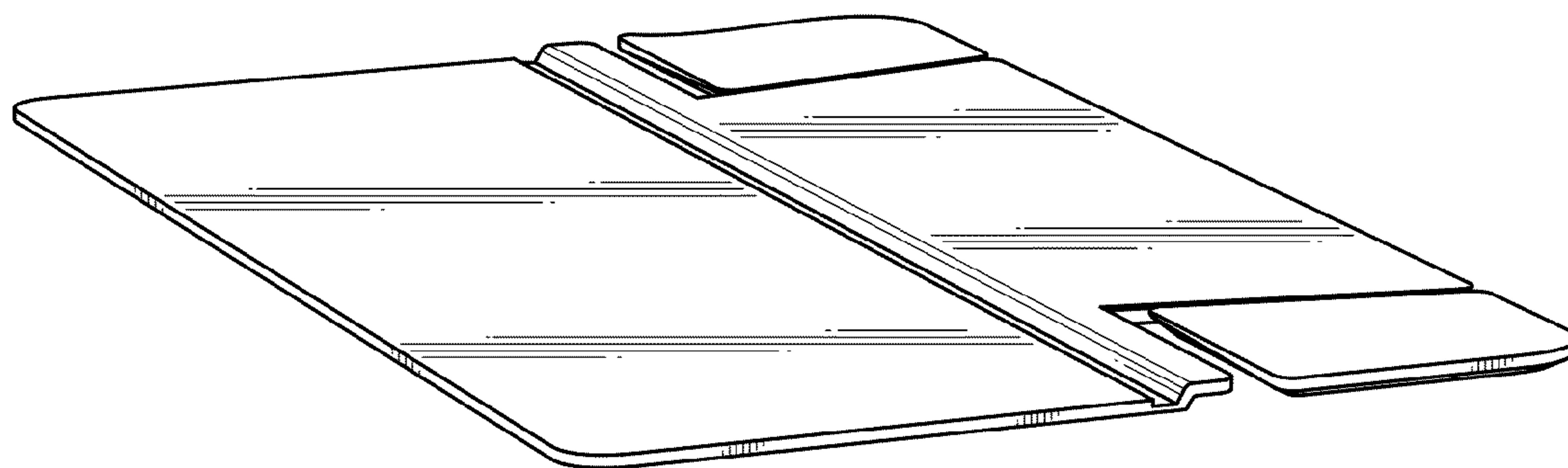


FIG. 8

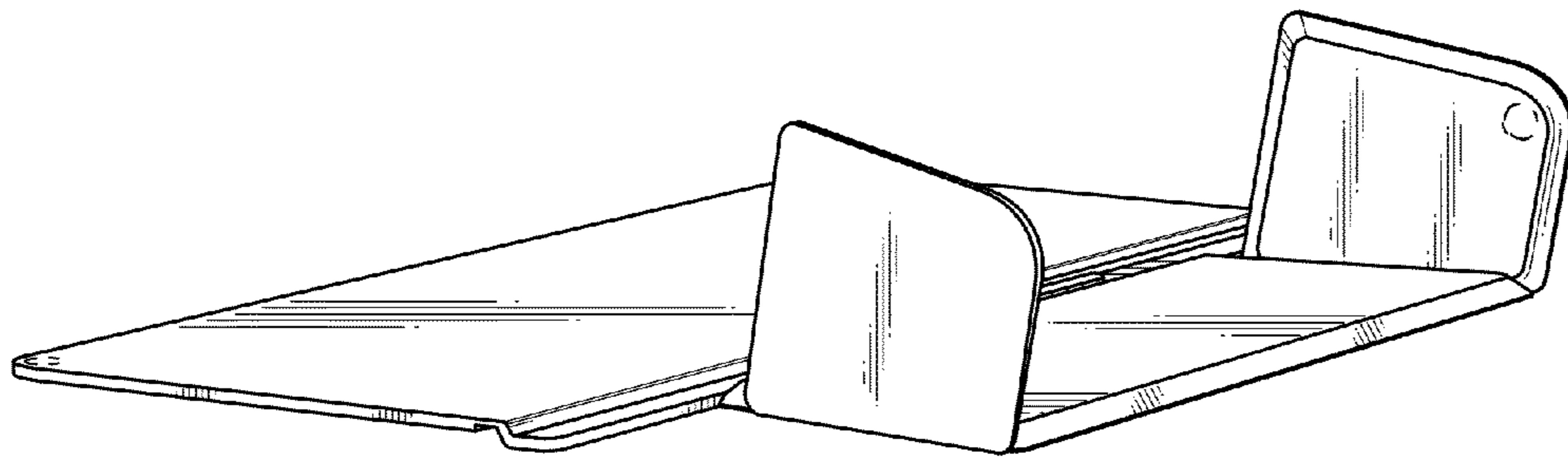


FIG. 9

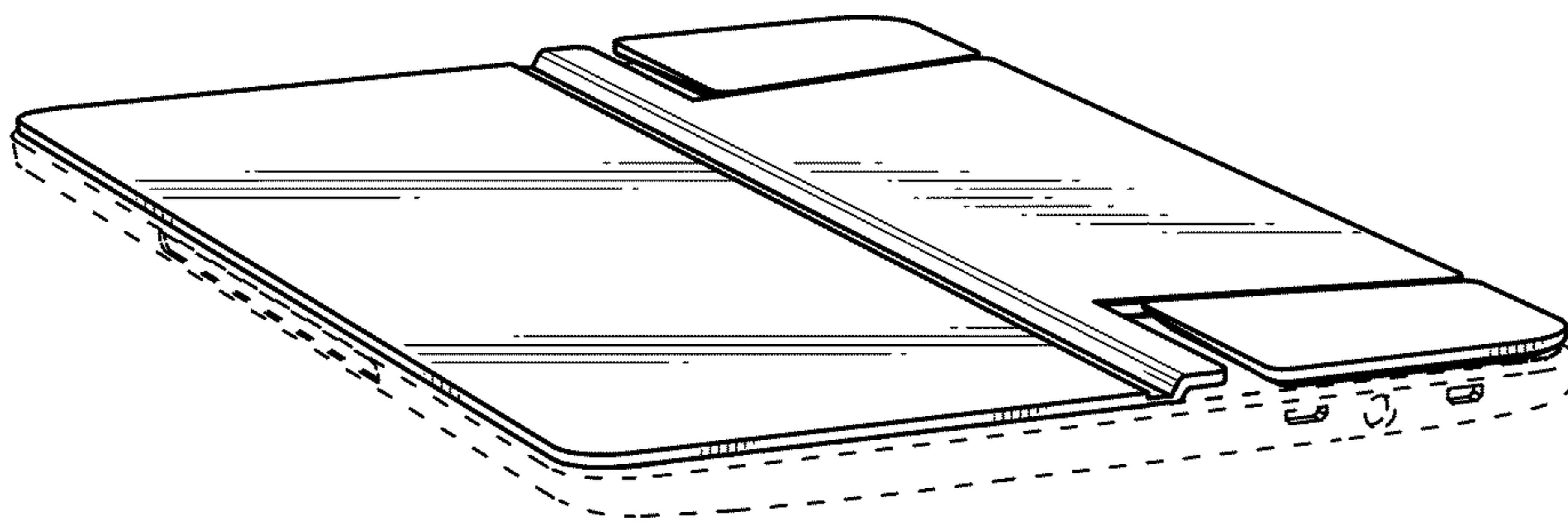


FIG. 10

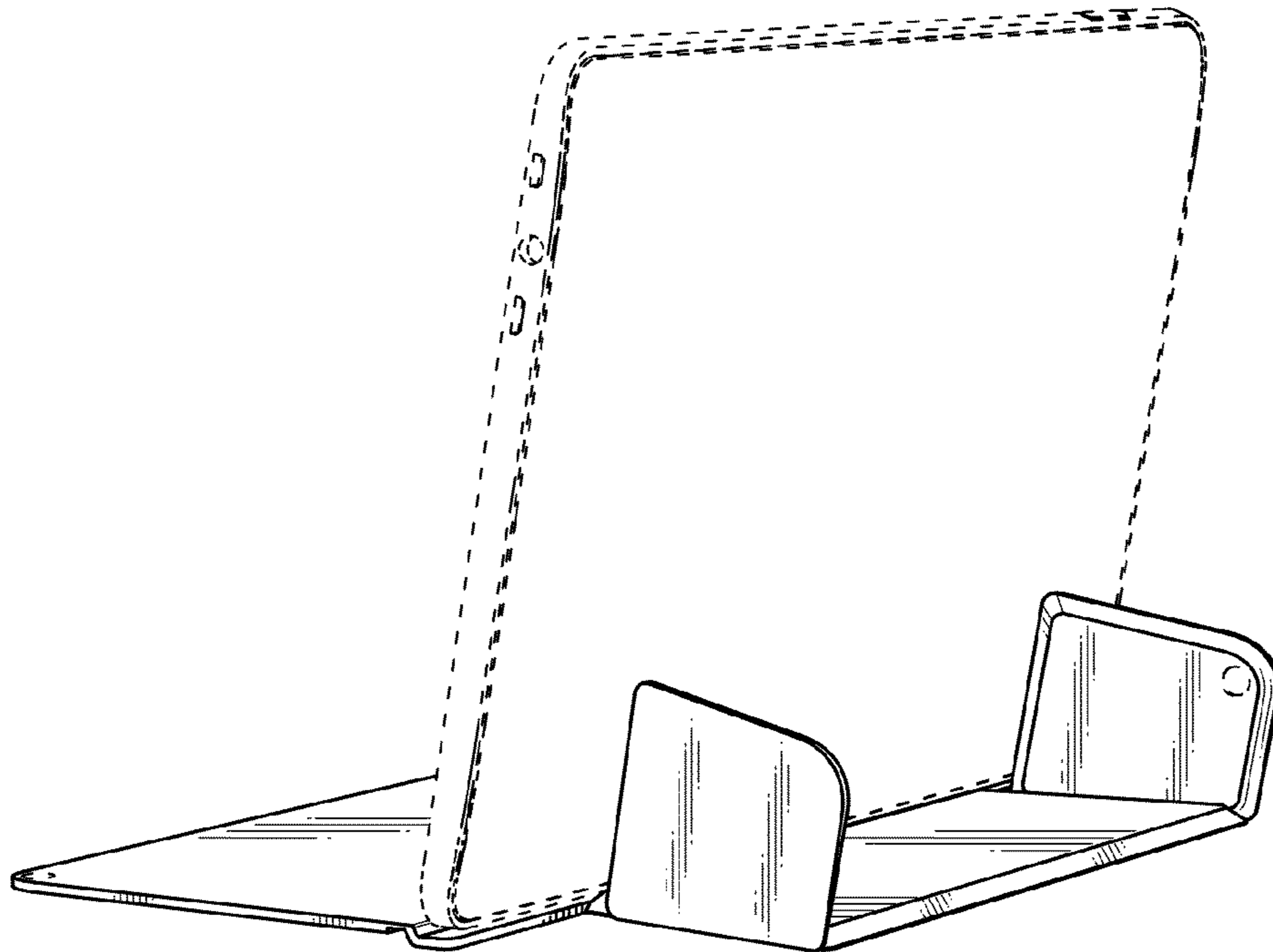


FIG. 11