



US00D689869S

(12) **United States Design Patent**
Bae

(10) **Patent No.:** **US D689,869 S**

(45) **Date of Patent:** **** Sep. 17, 2013**

(54) **DOCKING STATION FOR LAPTOP
COMPUTER**

(71) Applicant: **Seok Hee Bae**, Seoul (KR)

(72) Inventor: **Seok Hee Bae**, Seoul (KR)

(**) Term: **14 Years**

(21) Appl. No.: **29/432,813**

(22) Filed: **Sep. 20, 2012**

(30) **Foreign Application Priority Data**

Mar. 23, 2012 (KR) 30-2012-0013684

(51) **LOC (9) Cl.** **14-02**

(52) **U.S. Cl.**
USPC **D14/434**

(58) **Field of Classification Search**

USPC D14/217, 432, 434; D8/373; D13/107,
D13/108, 146; 248/176.1; 320/109, 112-115;
361/679.4, 679.31-679.33, 679.41, 679.43,
361/679.55; 455/557; 710/15, 303

See application file for complete search history.

(56) **References Cited**

U.S. PATENT DOCUMENTS

D362,241	S *	9/1995	Youens et al.	D14/434
D416,547	S *	11/1999	Lee et al.	D14/434
7,505,265	B2 *	3/2009	Nishiyama	361/679.41
7,924,559	B2 *	4/2011	Kuo	361/679.41
D643,842	S *	8/2011	Marshall et al.	D14/434
D662,938	S *	7/2012	Marshall et al.	D14/434
2005/0128687	A1 *	6/2005	Liang et al.	361/679
2007/0177347	A1 *	8/2007	Nishiyama	361/686

* cited by examiner

Primary Examiner — Freda S Nunn

(74) *Attorney, Agent, or Firm* — Novick, Kim & Lee, PLLC;
Jae Youn Kim

(57) **CLAIM**

I claim, the ornamental design for a docking station for laptop computer, as shown and described.

DESCRIPTION

FIG. 1 is a perspective view of a docking station for laptop computer, showing my new design;
FIG. 2 is a front elevational view thereof;
FIG. 3 is a rear elevational view thereof;
FIG. 4 is a left side elevational view thereof;
FIG. 5 is a right side elevational view thereof;
FIG. 6 is a top plan view thereof; and,
FIG. 7 is a bottom plan view thereof.

1 Claim, 3 Drawing Sheets

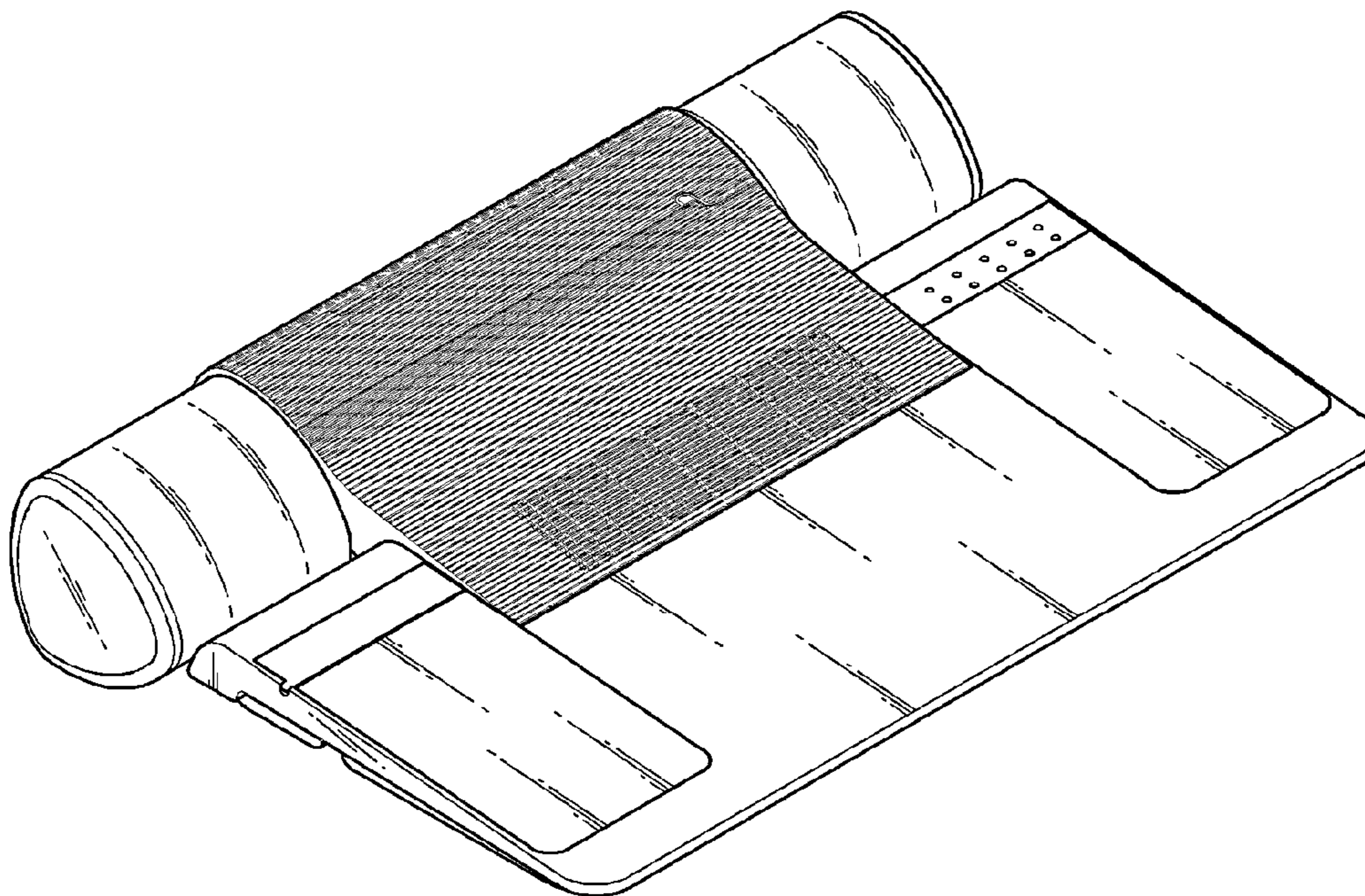


FIG.1

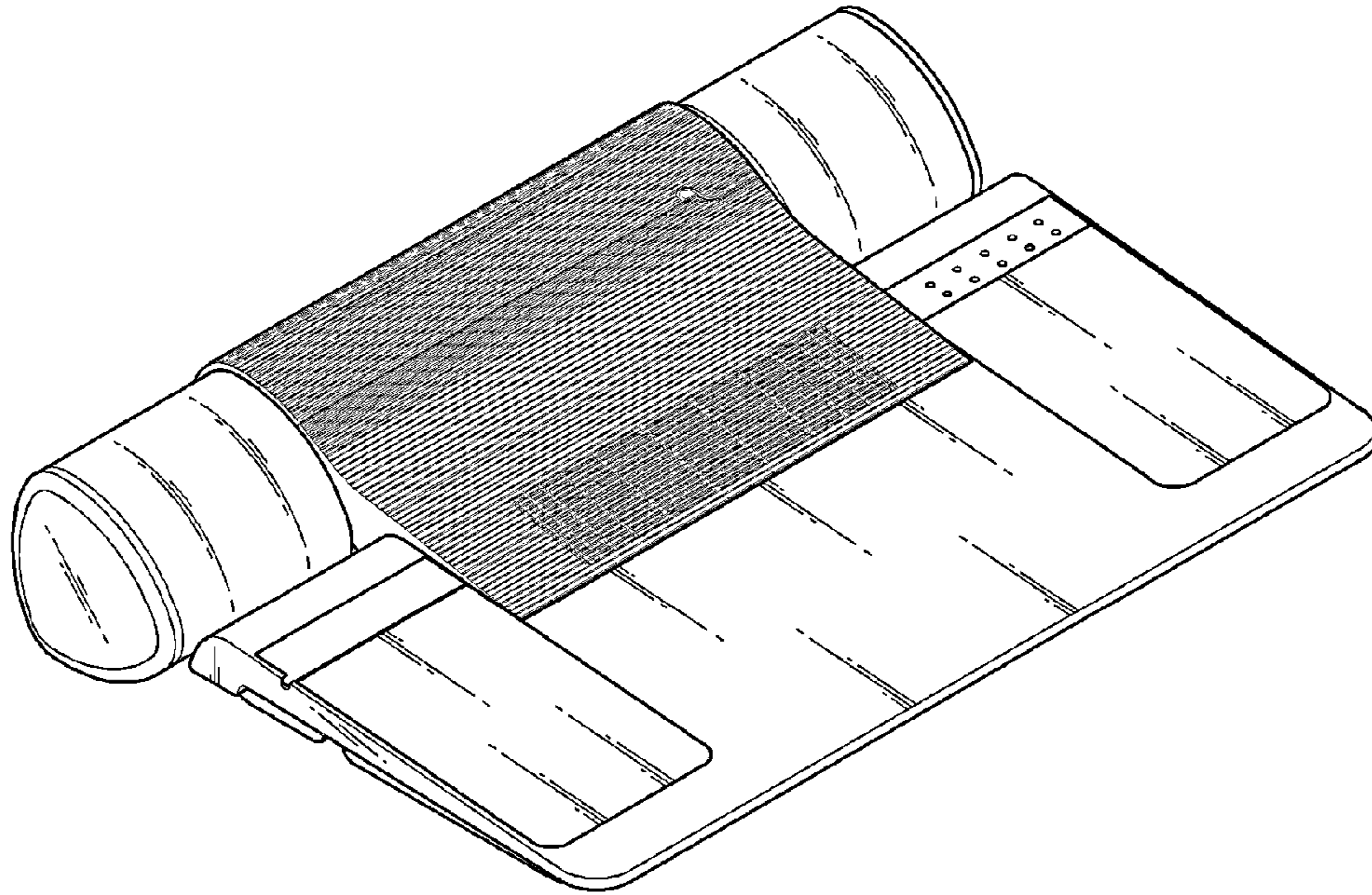


FIG.2

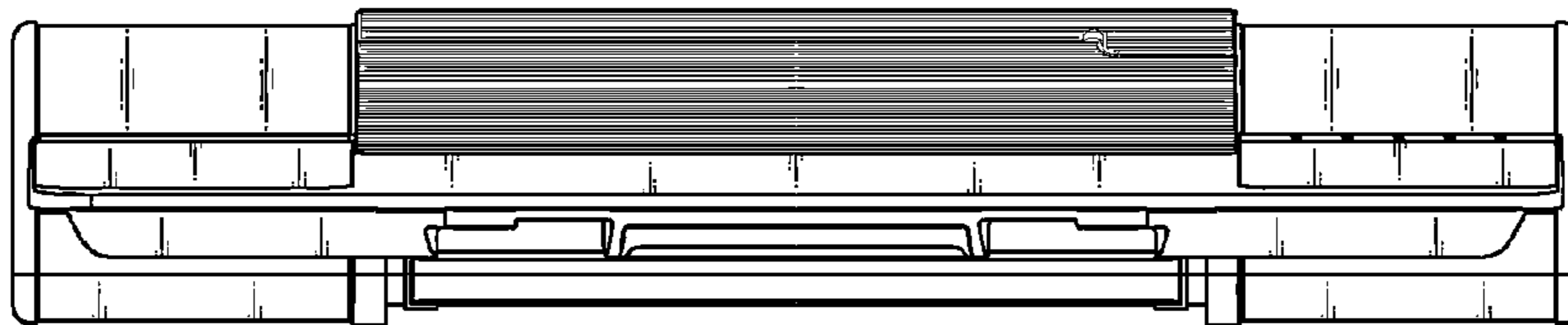


FIG.3

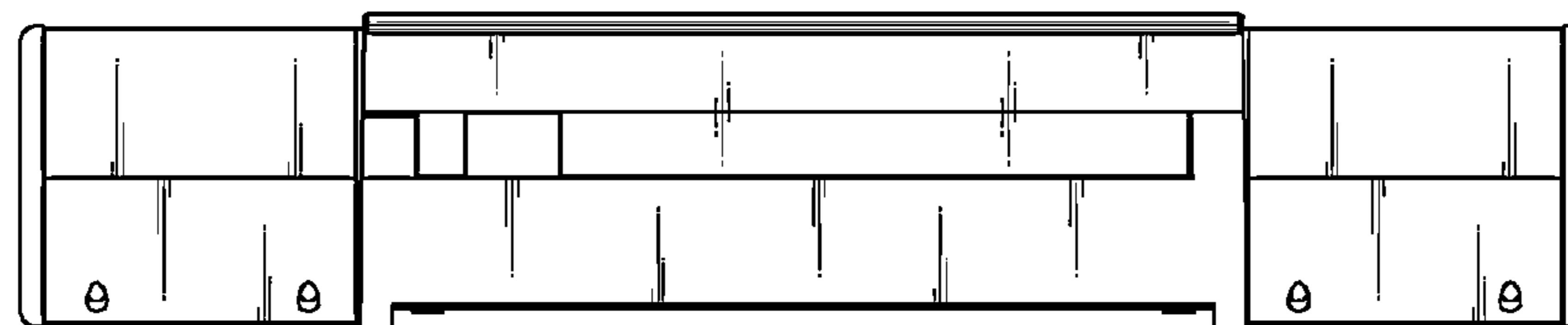


FIG.4

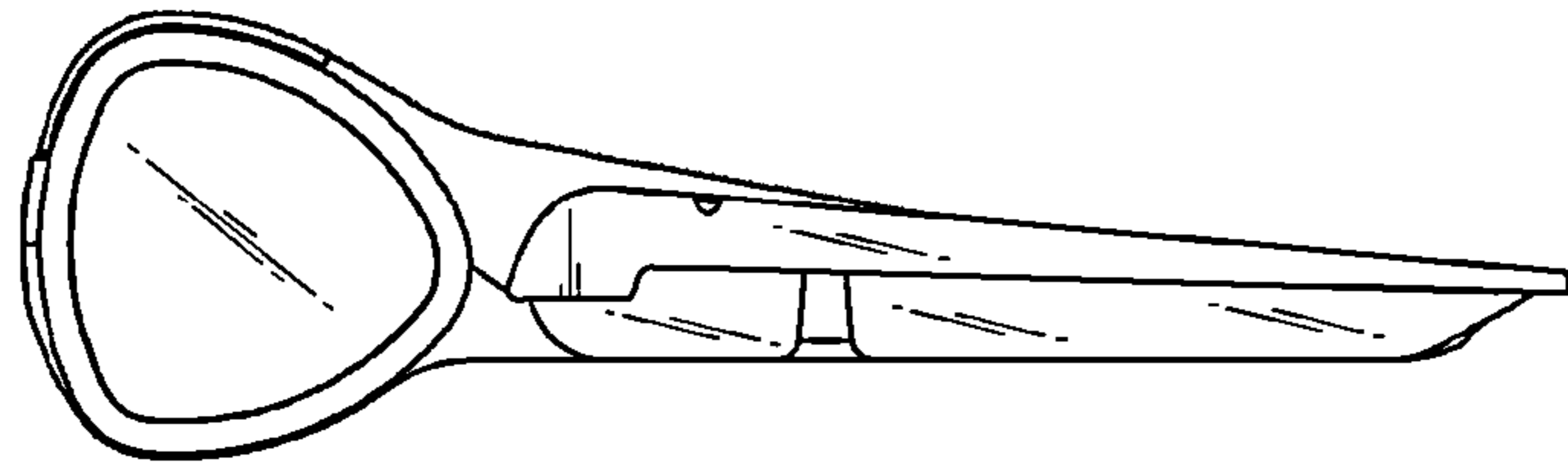


FIG. 5

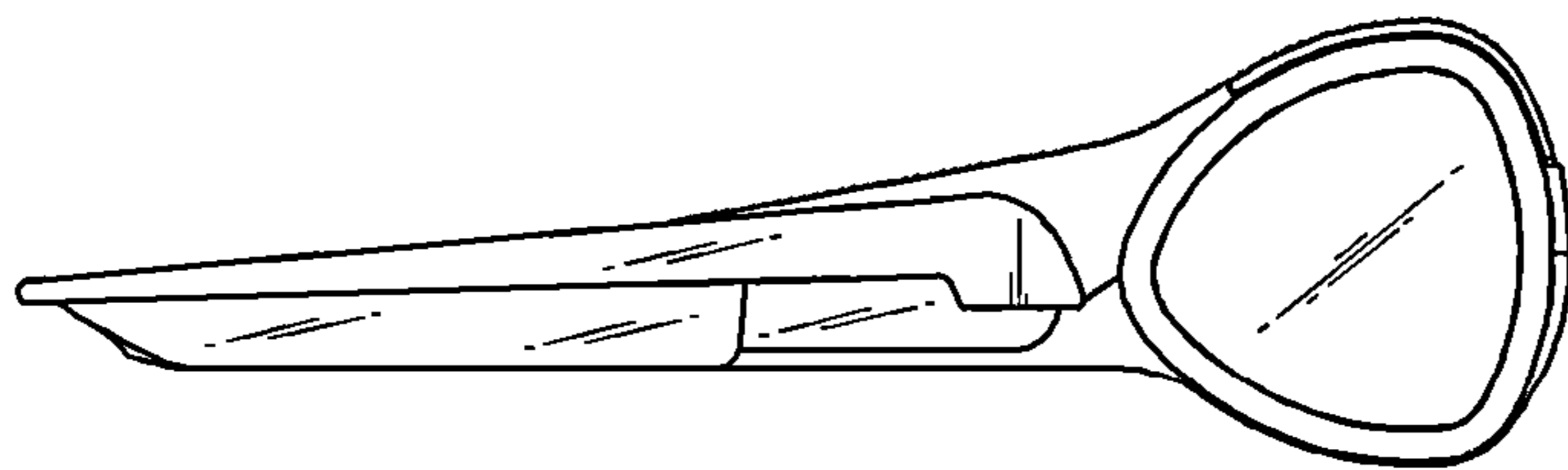


FIG. 6

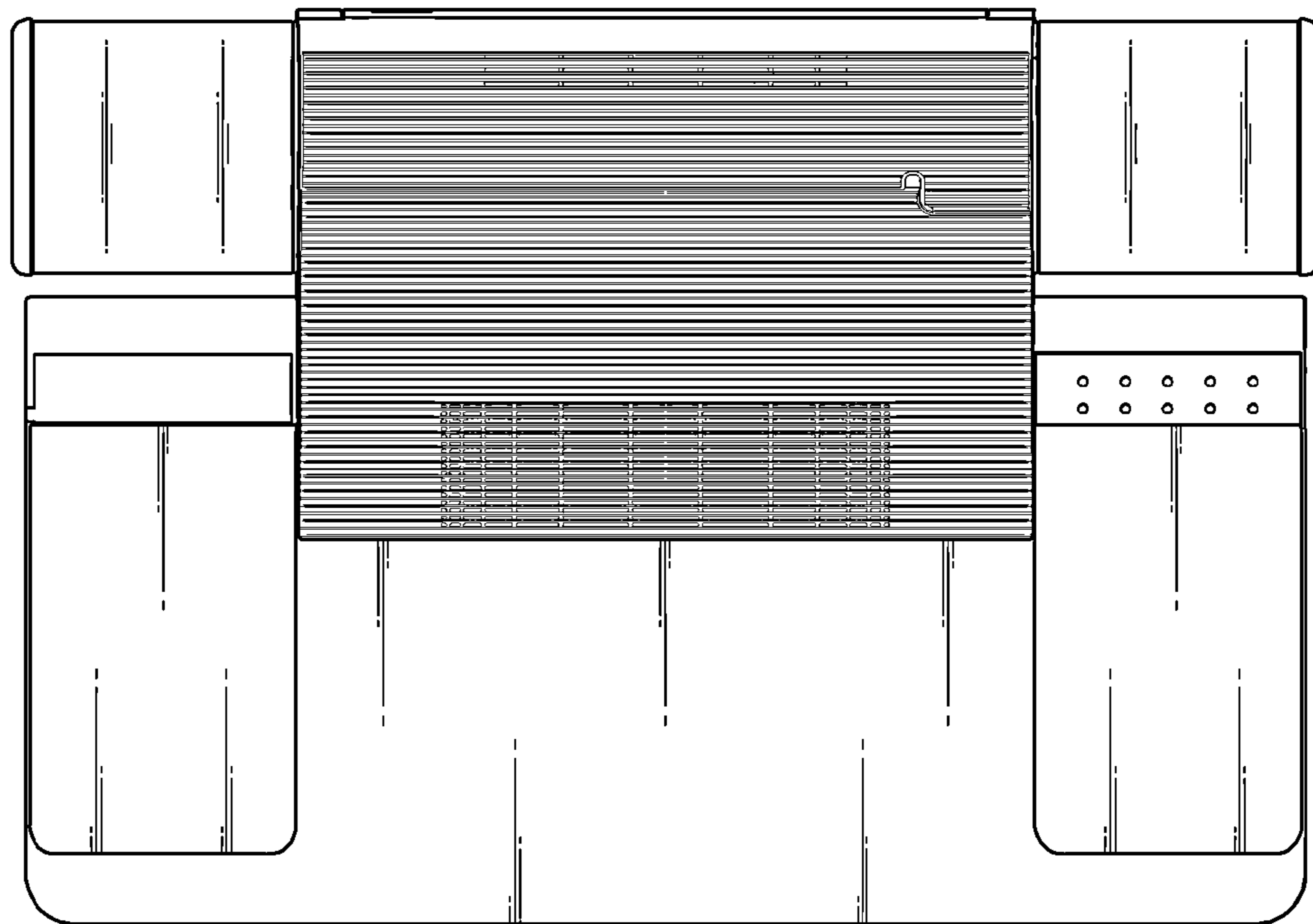


FIG. 7

