



US00D689866S

(12) **United States Design Patent**
Anzai et al.

(10) **Patent No.:** **US D689,866 S**
(45) **Date of Patent:** **** Sep. 17, 2013**

(54) **SCANNER**

(75) Inventors: **Tetsuyuki Anzai**, Funabashi (JP);
Hiroki Kitagawa, Tokyo (JP); **Hiroshi Komuro**, Wako (JP); **Takashi Machida**, Niiza (JP); **Mikio Shinohara**, Asaka (JP); **Satoshi Fujiwara**, Asaka (JP)

(73) Assignee: **Canon Denshi Kabushiki Kaisha**, Saitama-ken (JP)

(**) Term: **14 Years**

(21) Appl. No.: **29/410,899**

(22) Filed: **Jan. 13, 2012**

(30) **Foreign Application Priority Data**

Jul. 15, 2011 (JP) 2011-016336

(51) **LOC (9) Cl.** **14-02**

(52) **U.S. Cl.**
USPC **D14/422**

(58) **Field of Classification Search**
USPC D14/420, 422, 425, 462-470, 424, D14/389, 125, 399; D18/54, 55, 50, 53, D18/36-39, 14, 18-21, 49, 46, 52, 56, 51, D18/54.4; D13/164, 168; 358/400, 401, 358/448, 474, 486-488, 496, 497, 494, 473, 358/302, 468, 498; 382/312, 317, 321, 315; 400/613, 613.1-613.4, 690.1-690.4, 691-694, 400/88, 175; 399/107, 379, 380, 211, 212; 235/462.11, 462.41, 472.01, 470, 462.43; 361/680, 681; 378/177, 187, 188; 101/93.4, 101/269; 355/78; D24/165, 169, 186; 600/502, 503, 499, 494, 490, 485, 500, 492, 600/480, 493, 495, 479; 128/900; 16/286; 347/104, 109, 5; 271/186, 225, 126, 121, 271/137, 138

See application file for complete search history.

(56) **References Cited**

U.S. PATENT DOCUMENTS

3,375,781	A	*	4/1968	Grimm et al.	101/132
D258,959	S	*	4/1981	Clayton et al.	D18/54
D263,397	S	*	3/1982	Vierling et al.	D18/54
D263,831	S	*	4/1982	Barbera et al.	D14/462
D276,810	S	*	12/1984	Roche	D18/54
D286,639	S	*	11/1986	Strand	D18/55
D292,976	S	*	12/1987	Kando	D14/466
D301,485	S	*	6/1989	Kato et al.	D18/55
D310,096	S	*	8/1990	Heimbürger	D18/55

(Continued)

Primary Examiner — Susan Moon Lee

(74) *Attorney, Agent, or Firm* — Fitzpatrick, Cella, Harper & Scinto

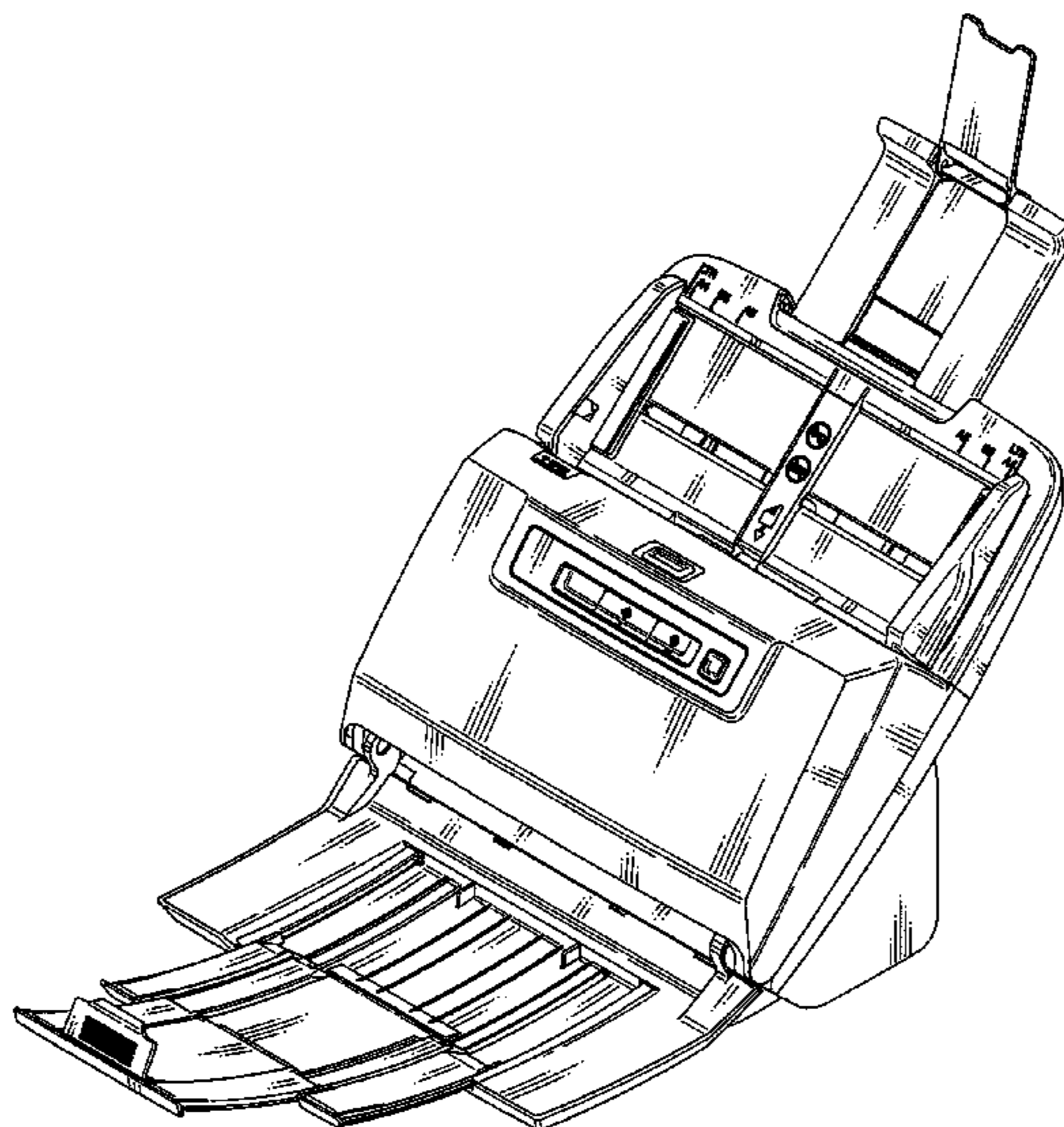
(57) **CLAIM**

The ornamental design for a scanner, as shown and described.

DESCRIPTION

FIG. 1 is a perspective view of the scanner showing our new design;
FIG. 2 is a front view thereof;
FIG. 3 is a rear view thereof;
FIG. 4 is a left side view thereof;
FIG. 5 is a right side view thereof;
FIG. 6 is a plan view thereof;
FIG. 7 is a bottom view thereof;
FIG. 8 is a perspective view where each tray is opened;
FIG. 9 is a right side view where each tray is opened;
FIG. 10 is a bottom view where each tray and a lower catch tray support are opened;
FIG. 11 is a right side view where each tray and a lower catch tray support are opened
FIG. 12 is a left side view where each tray and a lower catch tray support are opened; and,
FIG. 13 is a perspective view where a lower catch trap support is opened.

1 Claim, 10 Drawing Sheets



(56)

References Cited

U.S. PATENT DOCUMENTS

- | | | | | | |
|--------------|------|---------|--------------------|-------|------------|
| D315,360 | S * | 3/1991 | Tokuda et al. | | D18/54 |
| D316,869 | S * | 5/1991 | Sugawara et al. | | D18/54 |
| D317,783 | S * | 6/1991 | Matsumoto et al. | | D18/54 |
| D318,066 | S * | 7/1991 | Moro | | D18/54 |
| D322,624 | S * | 12/1991 | Sato et al. | | D18/55 |
| D323,183 | S * | 1/1992 | Irie et al. | | D18/55 |
| D323,850 | S * | 2/1992 | Matsuo et al. | | D18/54 |
| D324,395 | S * | 3/1992 | Dubson | | D18/54 |
| D335,894 | S * | 5/1993 | Nishikaze et al. | | D18/55 |
| D337,608 | S * | 7/1993 | Miyamoto | | D18/55 |
| D338,230 | S * | 8/1993 | Pruitt et al. | | D18/55 |
| D339,159 | S * | 9/1993 | Pruitt et al. | | D18/55 |
| D340,740 | S * | 10/1993 | Kawashima | | D18/50 |
| D343,637 | S * | 1/1994 | Umino et al. | | D18/55 |
| D344,754 | S * | 3/1994 | Parsey | | D18/55 |
| D349,922 | S * | 8/1994 | Tashiro | | D18/50 |
| D350,364 | S * | 9/1994 | Kawashima et al. | | D18/50 |
| 5,359,435 | A * | 10/1994 | Hayashi et al. | | 358/498 |
| 5,387,043 | A * | 2/1995 | Fujioka et al. | | 400/691 |
| D358,836 | S * | 5/1995 | Yamaguchi et al. | | D18/55 |
| D364,420 | S * | 11/1995 | Kawashima | | D18/54 |
| D369,382 | S * | 4/1996 | Matsunaga et al. | | D18/55 |
| D370,026 | S * | 5/1996 | McGlashan | | D18/55 |
| D371,158 | S * | 6/1996 | Yoshida | | D18/50 |
| D373,378 | S * | 9/1996 | Brown et al. | | D18/55 |
| D373,595 | S * | 9/1996 | Askren et al. | | D18/50 |
| D374,685 | S * | 10/1996 | Tsuruoka | | D18/54 |
| 5,567,068 | A * | 10/1996 | Egashira et al. | | 400/625 |
| D378,100 | S * | 2/1997 | Sekine | | D18/54 |
| D378,757 | S * | 4/1997 | Dubson | | D18/55 |
| D378,926 | S * | 4/1997 | Dubson | | D18/50 |
| D378,927 | S * | 4/1997 | Kasahara et al. | | D18/50 |
| D379,828 | S * | 6/1997 | Dubson | | D18/55 |
| 5,665,955 | A * | 9/1997 | Collins et al. | | 235/462.14 |
| D384,969 | S * | 10/1997 | Inoue et al. | | D18/54 |
| D386,489 | S * | 11/1997 | Goldman et al. | | D14/420 |
| D387,337 | S * | 12/1997 | Sween et al. | | D14/420 |
| D390,593 | S * | 2/1998 | Inoue | | D18/54 |
| D390,594 | S * | 2/1998 | Sekine | | D18/54 |
| D390,595 | S * | 2/1998 | Sekine | | D18/54 |
| D392,311 | S * | 3/1998 | Takano | | D18/50 |
| D394,452 | S * | 5/1998 | Iwamoto et al. | | D18/54 |
| D399,251 | S * | 10/1998 | McGlashan | | D18/55 |
| D401,271 | S * | 11/1998 | Nakajima | | D18/55 |
| D401,965 | S * | 12/1998 | Pangburn | | D18/55 |
| D408,799 | S * | 4/1999 | Daury | | D14/385 |
| D409,584 | S * | 5/1999 | Fetherolf | | D14/422 |
| 5,917,995 | A * | 6/1999 | Ota | | 358/1.12 |
| D414,472 | S * | 9/1999 | Metzler | | D14/422 |
| D422,570 | S * | 4/2000 | Kobayashi | | D14/509 |
| D424,102 | S * | 5/2000 | Igarashi | | D18/54 |
| D424,609 | S * | 5/2000 | Inoue et al. | | D18/54 |
| 6,065,728 | A * | 5/2000 | Spradlin | | 248/309.1 |
| D428,047 | S * | 7/2000 | Kolls | | D18/4.6 |
| D430,597 | S * | 9/2000 | Ishiguro | | D18/55 |
| D430,599 | S * | 9/2000 | Gassett | | D18/55 |
| 6,113,207 | A * | 9/2000 | Nakano et al. | | 347/3 |
| D439,275 | S * | 3/2001 | Ohashi | | D18/55 |
| D440,246 | S * | 4/2001 | Yin | | D18/50 |
| D441,358 | S * | 5/2001 | Chu | | D14/337 |
| D444,819 | S * | 7/2001 | Kurz et al. | | D21/329 |
| D450,345 | S * | 11/2001 | Miyazaki | | D18/50 |
| D451,540 | S * | 12/2001 | Tokuda et al. | | D18/55 |
| D451,950 | S * | 12/2001 | Ohashi | | D18/50 |
| D456,020 | S * | 4/2002 | Obata et al. | | D14/336 |
| 6,367,996 | B1 * | 4/2002 | Edwards | | 400/582 |
| D459,751 | S * | 7/2002 | Hsiao | | D15/146 |
| D467,963 | S * | 12/2002 | Miyahara et al. | | D18/54 |
| D468,764 | S * | 1/2003 | Miyahara et al. | | D18/54 |
| 6,540,219 | B1 * | 4/2003 | Naruse et al. | | 271/37 |
| D474,501 | S * | 5/2003 | Hayashi | | D18/55 |
| D475,052 | S * | 5/2003 | Chujou et al. | | D14/422 |
| D477,019 | S * | 7/2003 | Dwyer et al. | | D18/55 |
| D478,594 | S * | 8/2003 | Ichiyoshi et al. | | D14/422 |
| D478,618 | S * | 8/2003 | Obara | | D18/54 |
| D482,387 | S * | 11/2003 | Tatara et al. | | D18/55 |
| D490,462 | S * | 5/2004 | Chua et al. | | D18/55 |
| D491,950 | S * | 6/2004 | Perry et al. | | D14/424 |
| D492,960 | S * | 7/2004 | Takizawa | | D18/54 |
| D499,759 | S * | 12/2004 | Kobayashi et al. | | D18/55 |
| D518,826 | S * | 4/2006 | Chujou et al. | | D14/422 |
| 7,029,113 | B2 * | 4/2006 | Hwang | | 347/108 |
| D530,364 | S * | 10/2006 | Huang | | D18/55 |
| D530,739 | S * | 10/2006 | Tsai | | D18/55 |
| D542,292 | S * | 5/2007 | Kitamura et al. | | D14/422 |
| D549,705 | S * | 8/2007 | Sugitani et al. | | D14/422 |
| D560,250 | S * | 1/2008 | Ito | | D18/50 |
| D563,413 | S * | 3/2008 | Kuroda et al. | | D14/422 |
| D573,596 | S * | 7/2008 | Laidlaw et al. | | D14/422 |
| D579,016 | S * | 10/2008 | Romanoff et al. | | D14/422 |
| D583,060 | S * | 12/2008 | Kitamura et al. | | D24/165 |
| D586,383 | S * | 2/2009 | Takatani | | D18/50 |
| 7,636,528 | B2 * | 12/2009 | Sato et al. | | 399/107 |
| D611,529 | S * | 3/2010 | Mistyurik et al. | | D18/50 |
| D615,515 | S * | 5/2010 | Hwang | | D14/130 |
| D624,573 | S * | 9/2010 | Hall et al. | | D15/146 |
| D624,574 | S * | 9/2010 | Hall et al. | | D15/146 |
| D625,304 | S * | 10/2010 | Armstrong | | D14/307 |
| D631,050 | S * | 1/2011 | Iliffe-Moon et al. | | D14/422 |
| D632,295 | S * | 2/2011 | Kuroda | | D14/422 |
| D642,179 | S * | 7/2011 | Kuroda et al. | | D14/422 |
| D650,387 | S * | 12/2011 | Iwatsu et al. | | D14/422 |
| D671,542 | S * | 11/2012 | Siekman et al. | | D14/422 |
| 2003/0063337 | A1 * | 4/2003 | Shirai et al. | | 358/498 |
| 2003/0095296 | A1 * | 5/2003 | Terashima et al. | | 358/498 |
| 2007/0188818 | A1 * | 8/2007 | Westcott et al. | | 358/296 |
| 2010/0118327 | A1 * | 5/2010 | Caspar et al. | | 358/1.13 |

* cited by examiner

Fig. 1

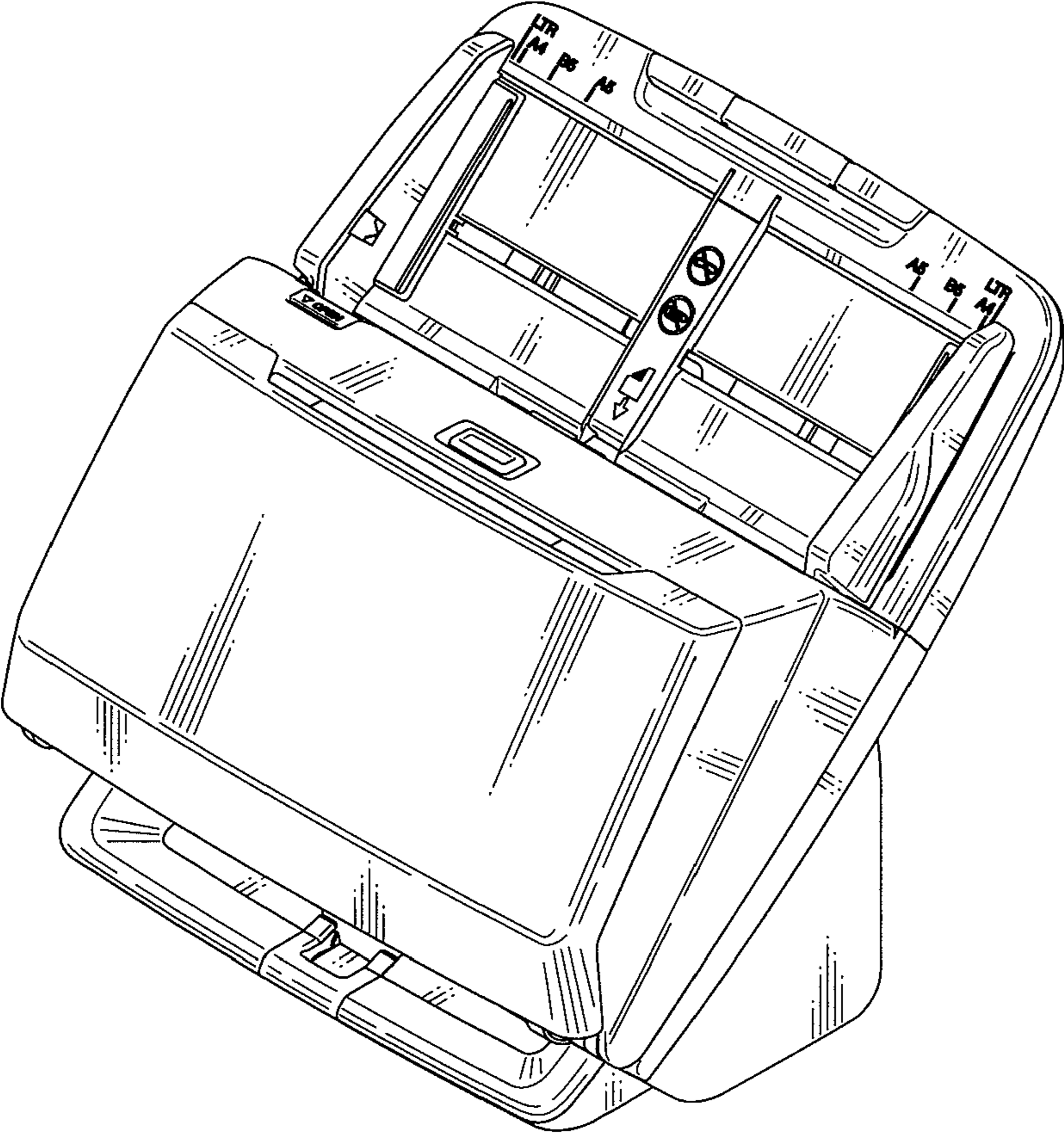


Fig. 2

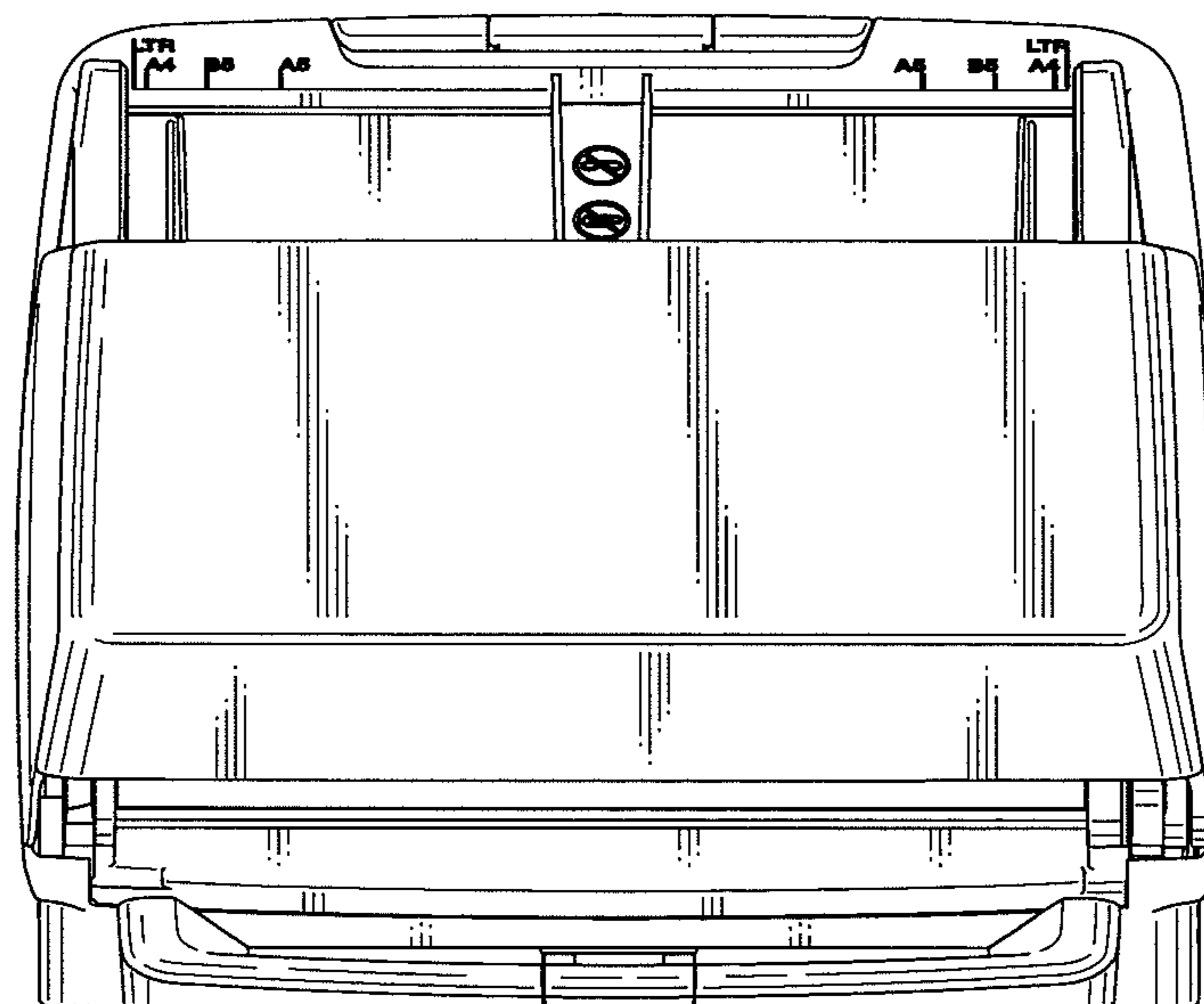


Fig. 3

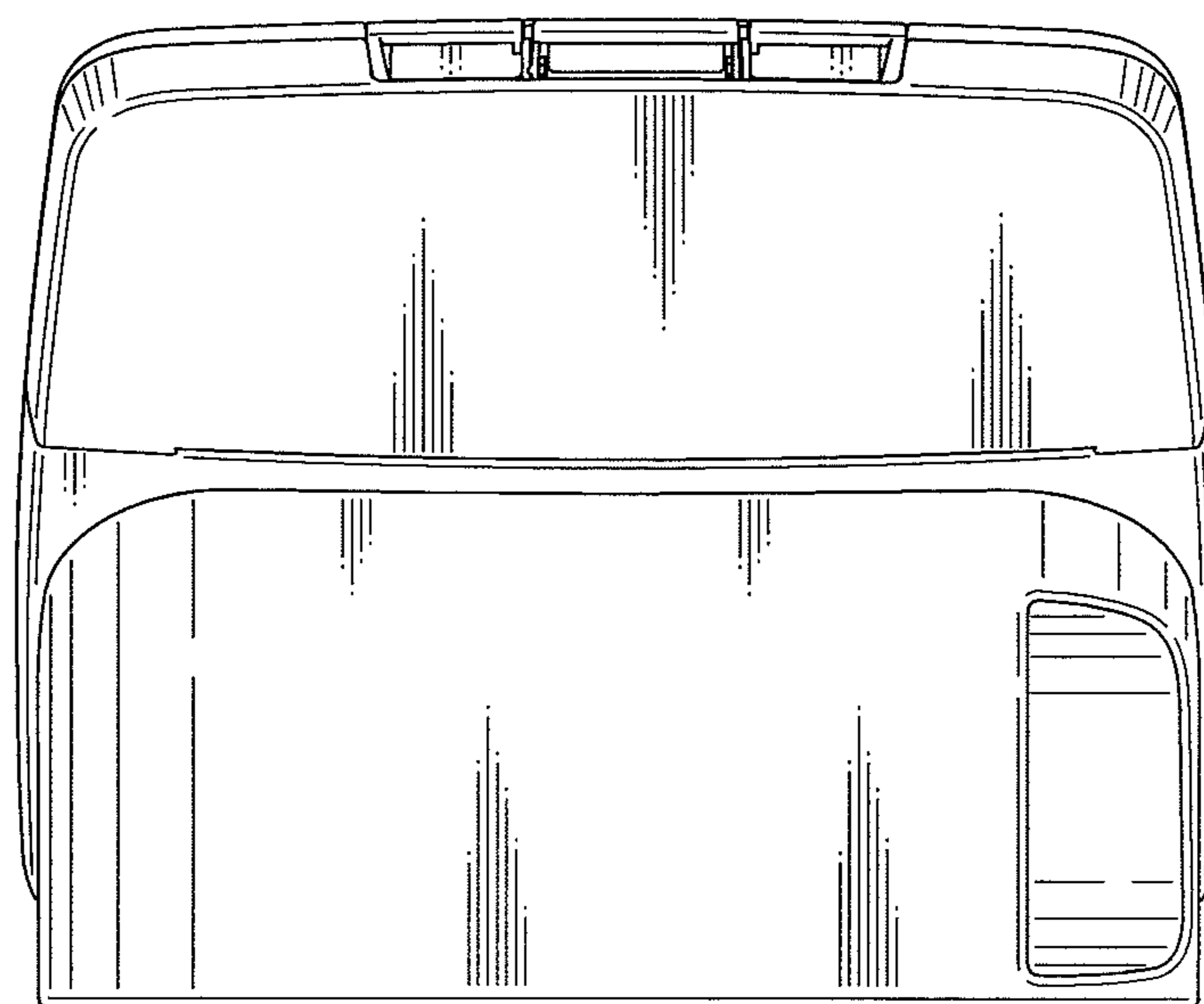


Fig. 4

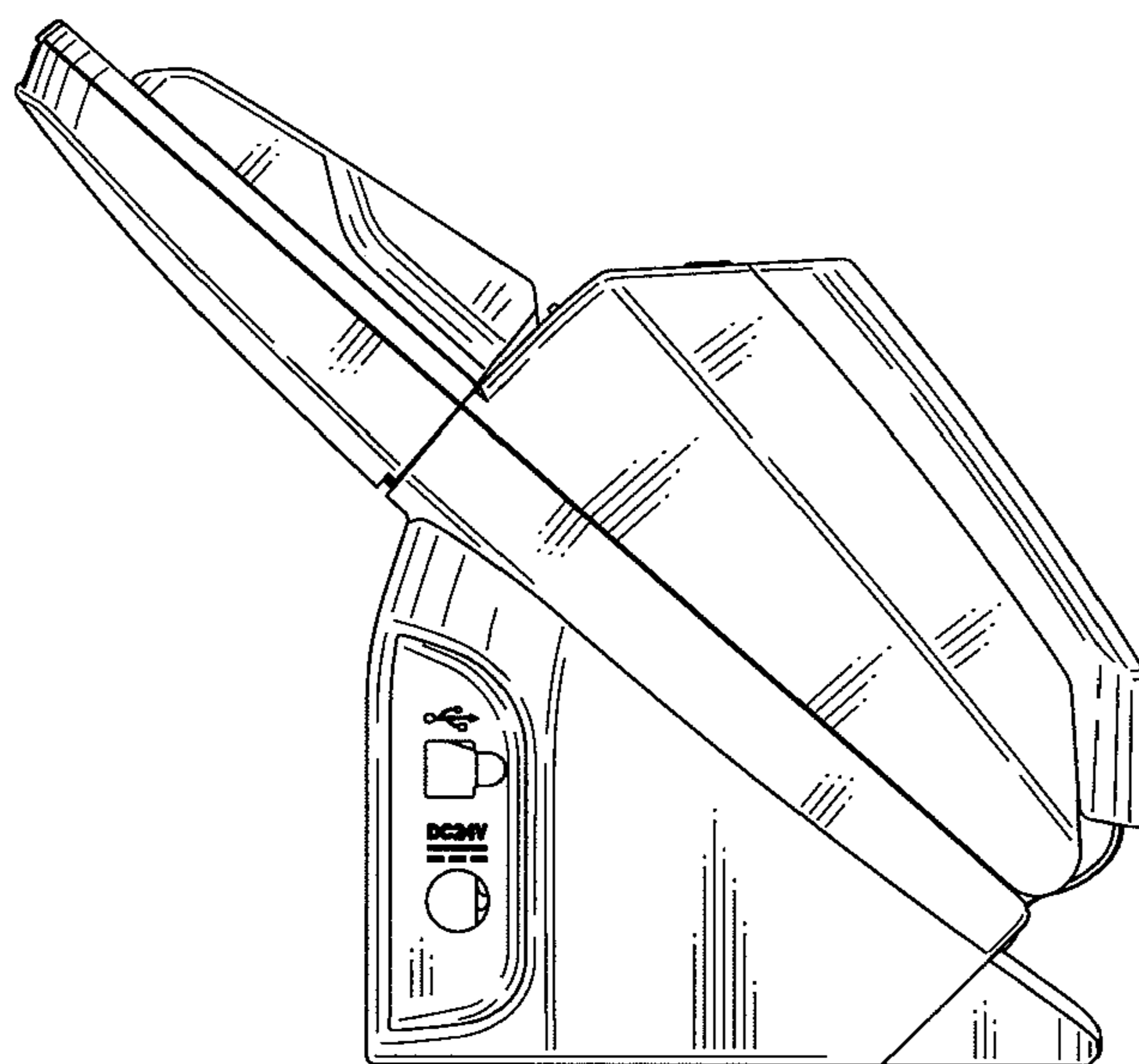


Fig. 5

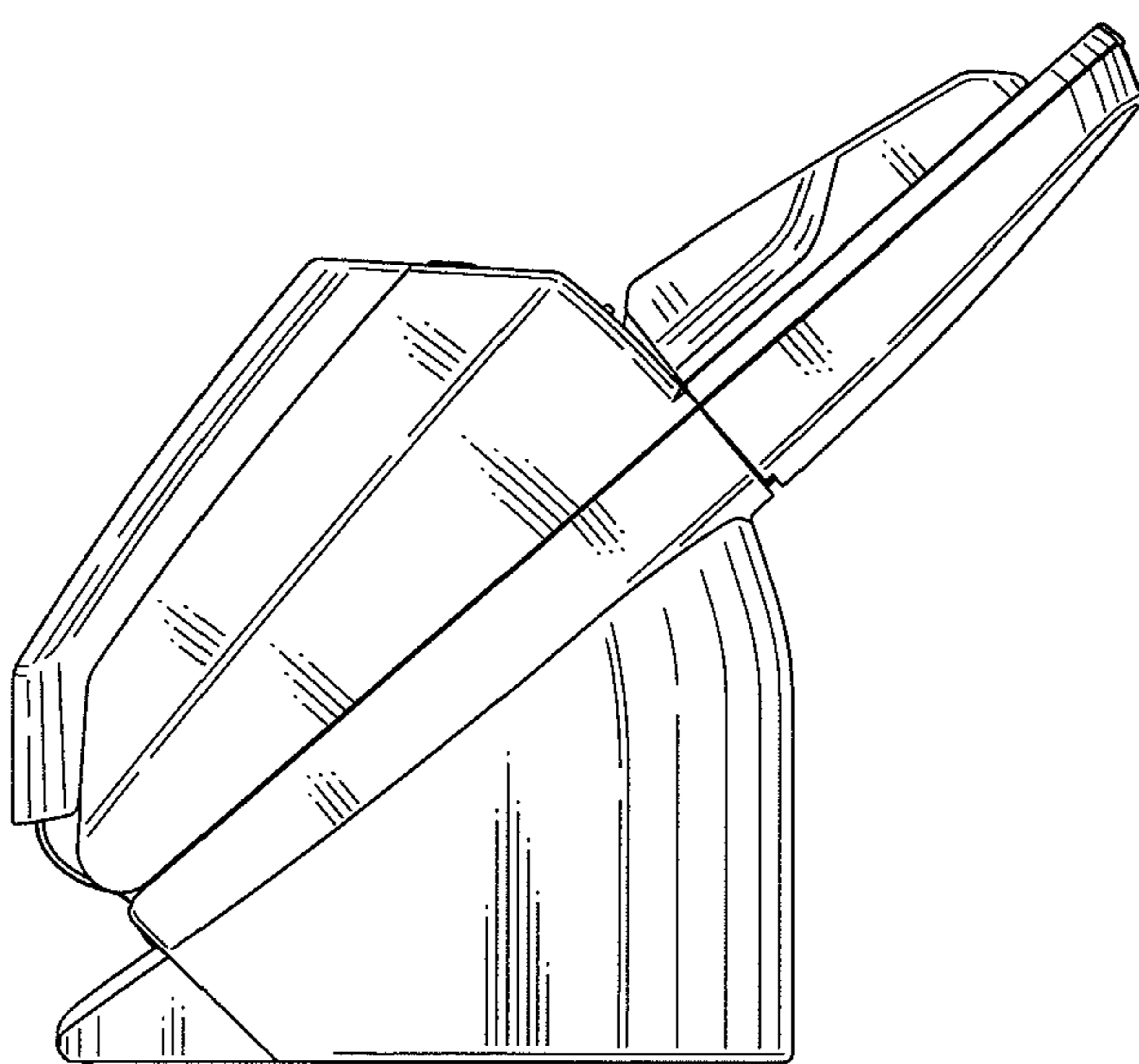


Fig. 6

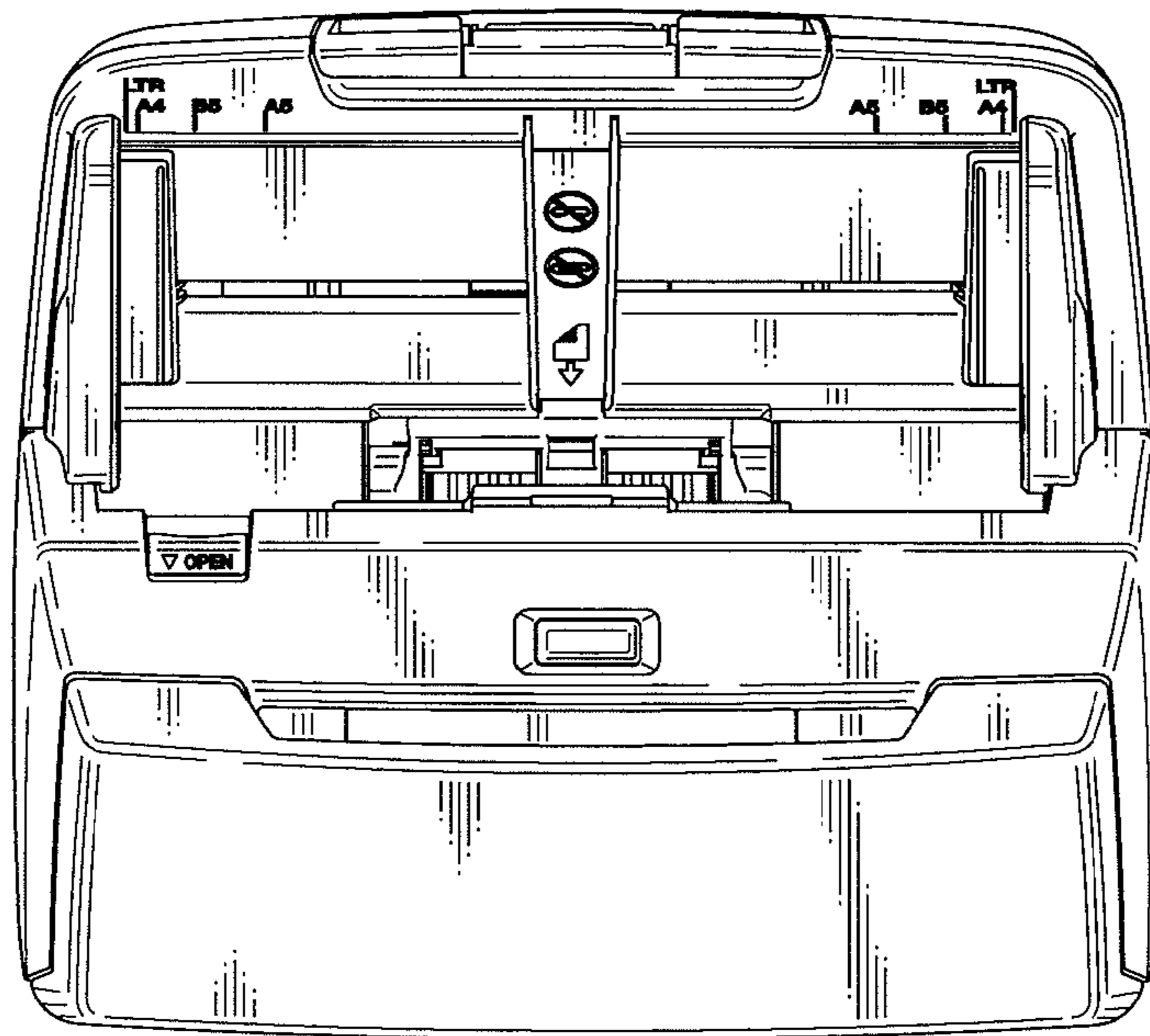


Fig. 7

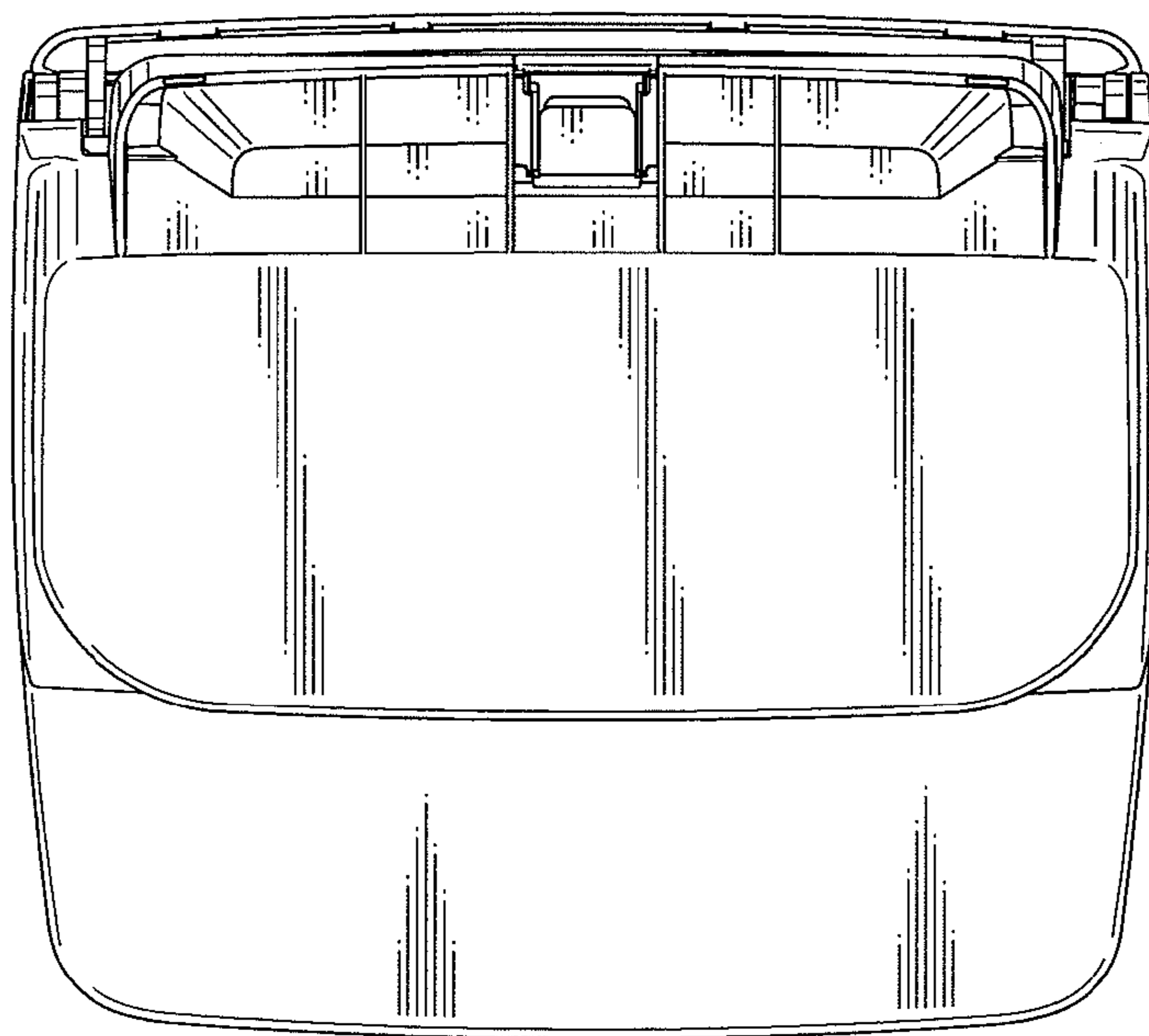
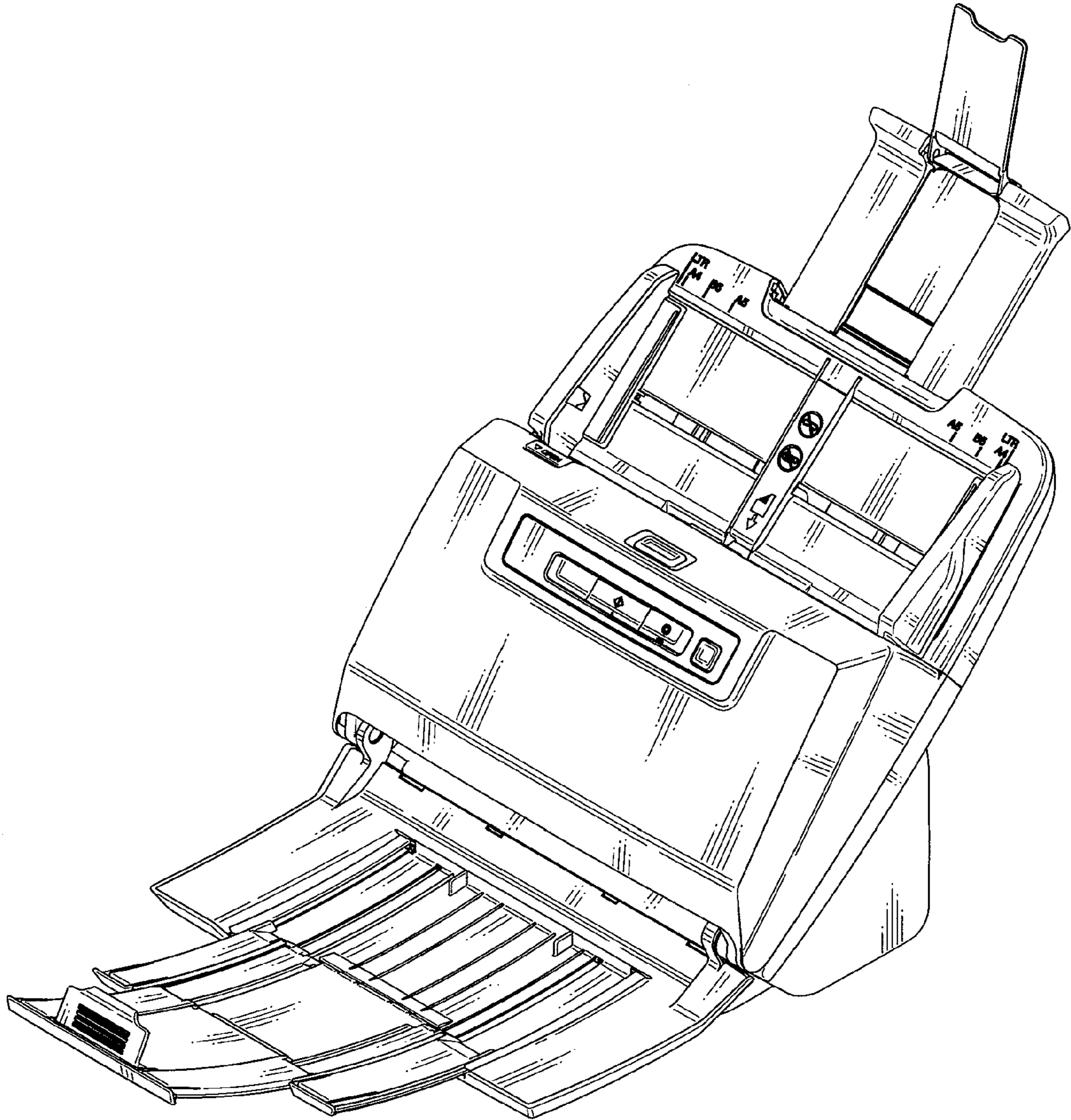


Fig. 8



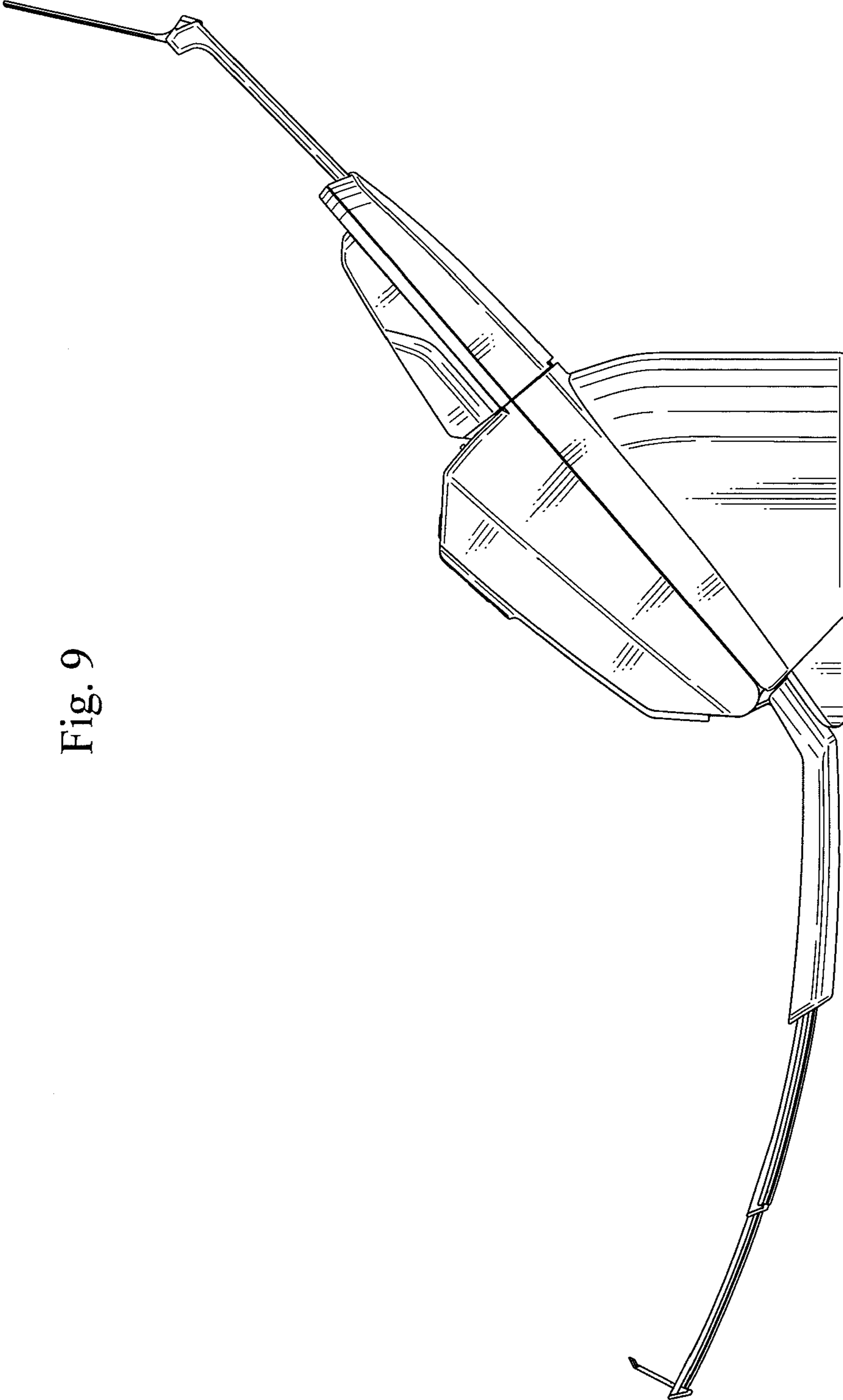
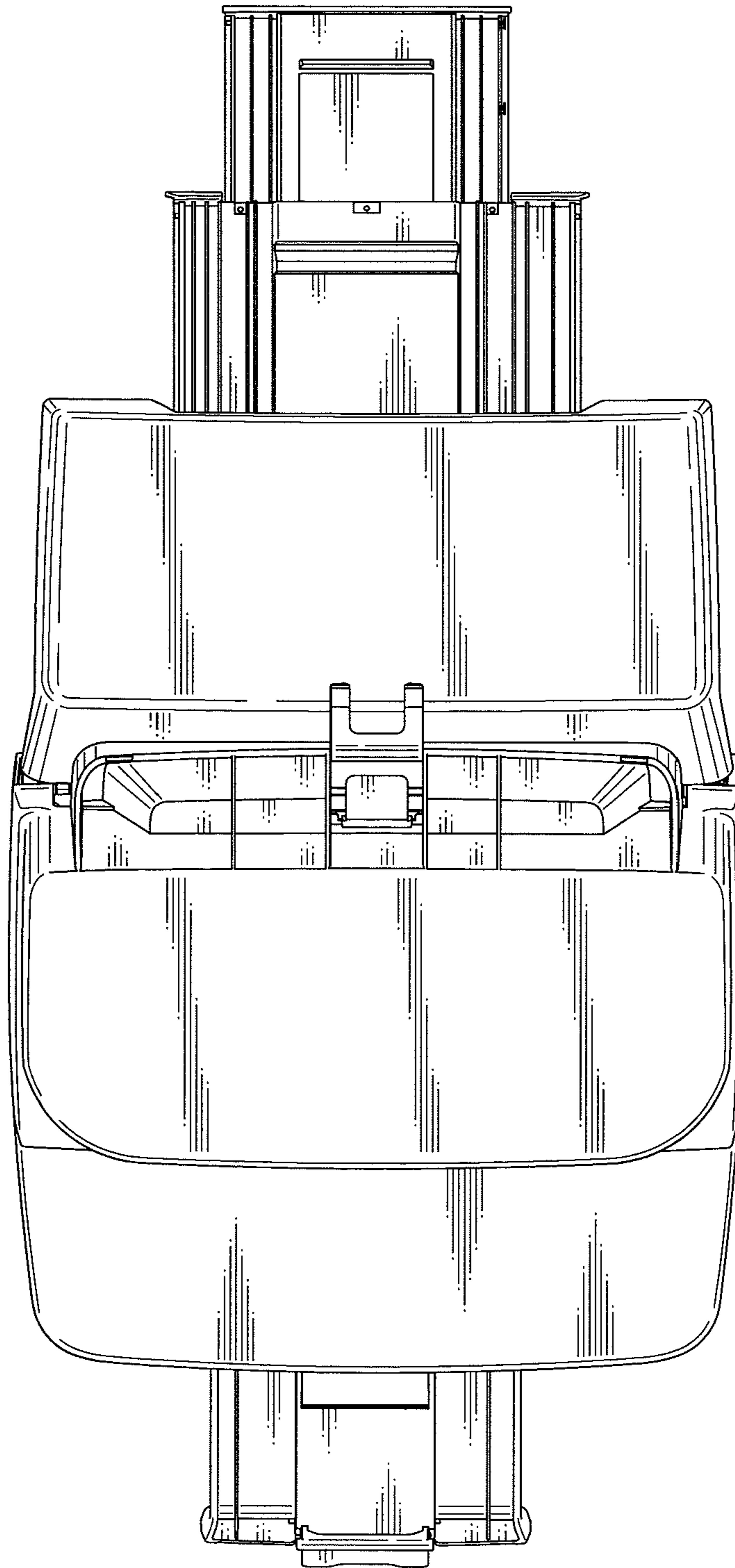


Fig. 9

Fig. 10



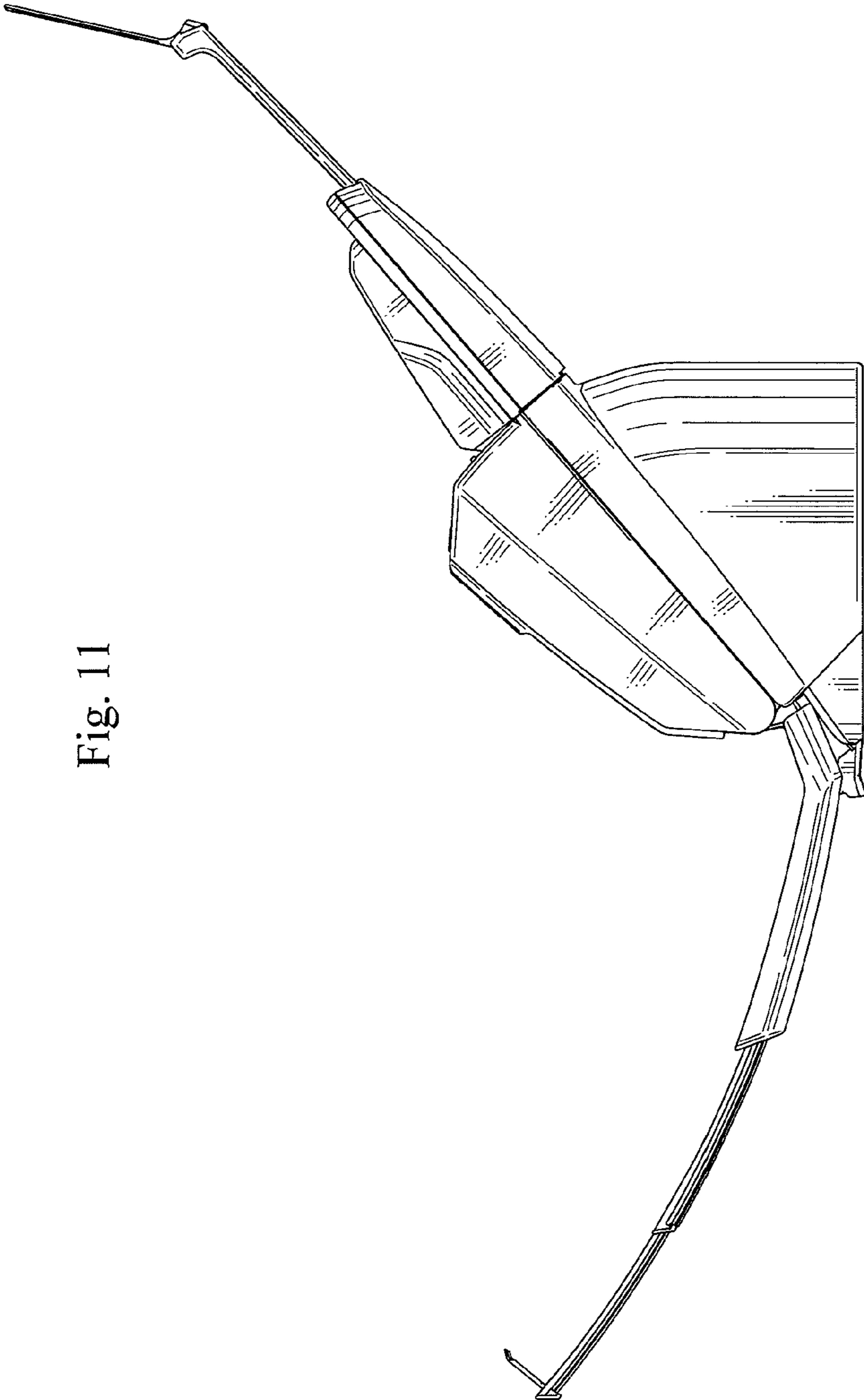


Fig. 11

Fig. 12

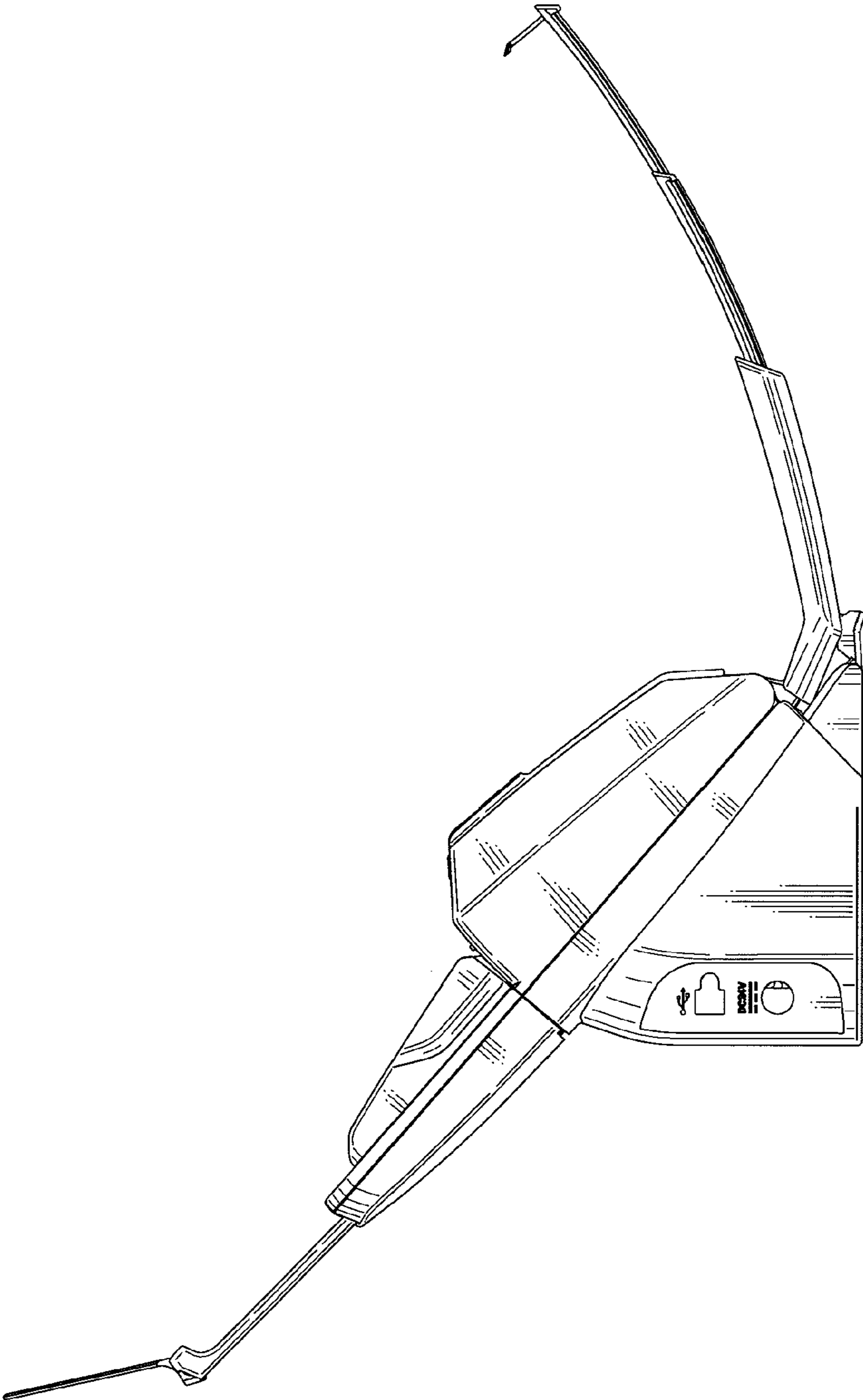


Fig. 13

