



US00D689865S

(12) **United States Design Patent**  
**Kitamura et al.**

(10) **Patent No.:** **US D689,865 S**

(45) **Date of Patent:** **\*\* Sep. 17, 2013**

(54) **SCANNER**

(56)

**References Cited**

(75) Inventors: **Teruhiko Kitamura**, Tokyo (JP);  
**Masaki Namiki**, Kawaguchi (JP);  
**Shinobu Kato**, Yokohama (JP); **Minoru**  
**Sashida**, Ageo (JP); **Hiroshi Oka**,  
Chichibu (JP); **Asako Chiba**, Yokohama  
(JP)

(73) Assignee: **Canon Denshi Kabushiki Kaisha**,  
Saitama-ken (JP)

(\*\*) Term: **14 Years**

(21) Appl. No.: **29/407,406**

(22) Filed: **Nov. 29, 2011**

(30) **Foreign Application Priority Data**

May 30, 2011 (JP) ..... 2011-012056

(51) **LOC (9) Cl.** ..... **14-02**

(52) **U.S. Cl.**  
USPC ..... **D14/422**

(58) **Field of Classification Search**

USPC ..... D14/420, 422, 425, 462-470, 424,  
D14/389, 125, 399; D18/54, 55, 50, 53,  
D18/36-39, 14, 18-21, 49, 46, 52, 56, 51,  
D18/54.4; D13/164, 168; 358/400, 401,  
358/448, 474, 486-488, 496, 497, 494, 473,  
358/302, 468, 498; 382/312, 317, 321, 315;  
400/613, 613.1-613.4, 690.1-690.4, 691-694,  
400/88, 175; 399/107, 379, 380, 211, 212;  
235/462.11, 462.41, 472.01, 470, 462.43;  
361/680, 681; 378/177, 187, 188; 101/93.4,  
101/269; 355/78; D24/165, 169, 186;  
600/502, 503, 499, 494, 490, 485, 500, 492,  
600/480, 493, 495, 479; 128/900; 16/286;  
347/104, 109, 5; 271/186, 225, 126, 121,  
271/137, 138

See application file for complete search history.

U.S. PATENT DOCUMENTS

3,375,781	A	*	4/1968	Grimm et al.	101/132
D258,959	S	*	4/1981	Clayton et al.	D18/54
D263,397	S	*	3/1982	Vierling et al.	D18/54
D263,831	S	*	4/1982	Barbera et al.	D14/462
D276,810	S	*	12/1984	Roche	D18/54
D286,639	S	*	11/1986	Strand	D18/55
D292,976	S	*	12/1987	Kando	D14/466
D301,485	S	*	6/1989	Kato et al.	D18/55
D310,096	S	*	8/1990	Heimbürger	D18/55
D315,360	S	*	3/1991	Tokuda et al.	D18/54
D316,869	S	*	5/1991	Sugawara et al.	D18/54
D317,783	S	*	6/1991	Matsumoto et al.	D18/54
D318,066	S	*	7/1991	Moro	D18/54
D322,624	S	*	12/1991	Sato et al.	D18/55
D323,183	S	*	1/1992	Irie et al.	D18/55
D323,850	S	*	2/1992	Matsuo et al.	D18/54
D324,395	S	*	3/1992	Dubson	D18/54
D335,894	S	*	5/1993	Nishikaze et al.	D18/55

(Continued)

*Primary Examiner* — Susan Moon Lee

(74) *Attorney, Agent, or Firm* — Fitzpatrick, Cella, Harper & Scinto

(57)

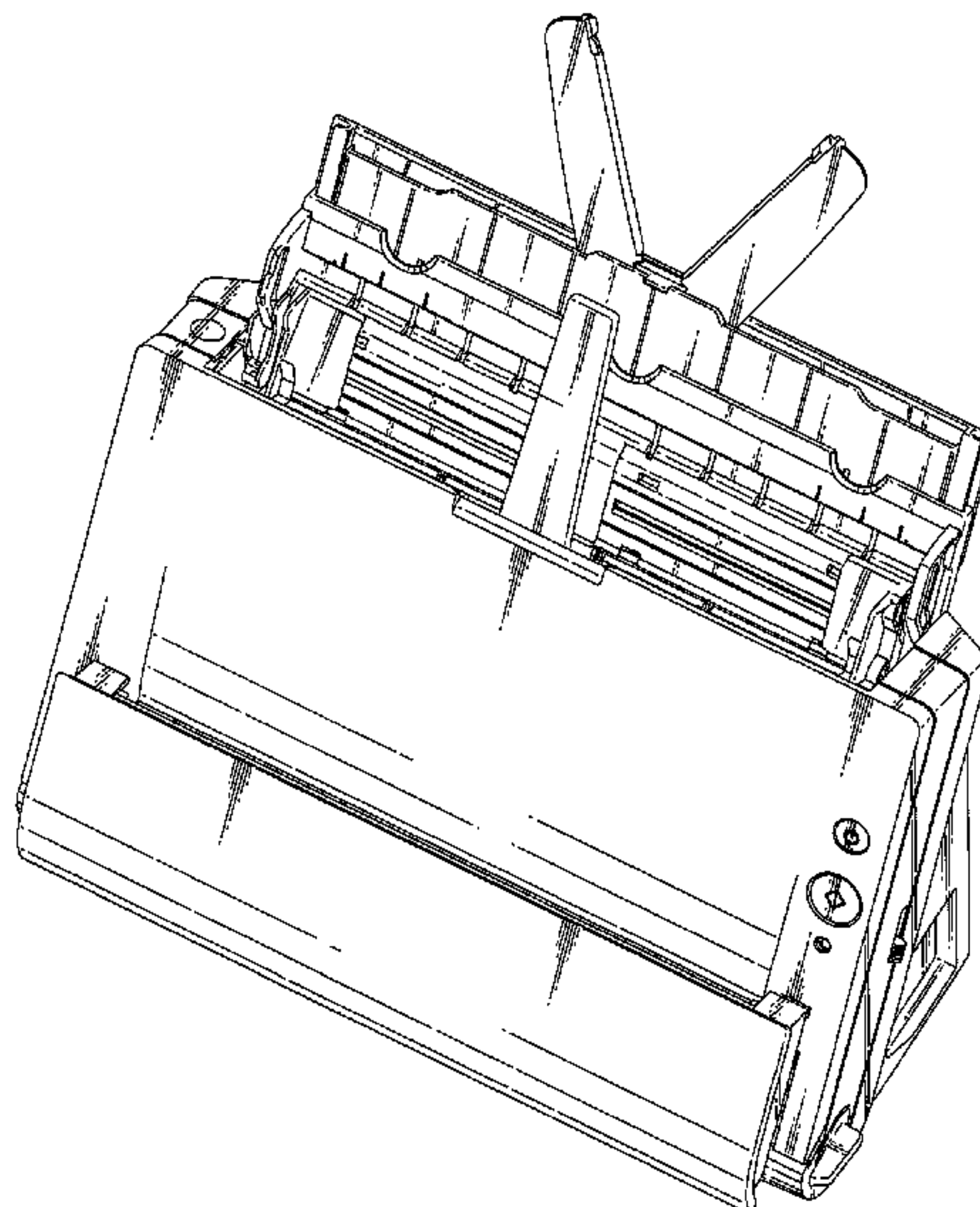
**CLAIM**

The ornamental design for a scanner, as shown and described.

**DESCRIPTION**

FIG. 1 is a perspective view of the scanner showing our new design;  
FIG. 2 is a front view thereof;  
FIG. 3 is a rear view thereof;  
FIG. 4 is a plan view thereof;  
FIG. 5 is a bottom view thereof;  
FIG. 6 is a left side view thereof;  
FIG. 7 is a right side view thereof; and,  
FIG. 8 is a perspective view showing the scanner in the open position.

**1 Claim, 8 Drawing Sheets**



(56)

## References Cited

## U.S. PATENT DOCUMENTS

- D337,608 S \* 7/1993 Miyamoto ..... D18/55  
D338,230 S \* 8/1993 Pruitt et al. .... D18/55  
D339,159 S \* 9/1993 Pruitt et al. .... D18/55  
D340,740 S \* 10/1993 Kawashima ..... D18/50  
D343,637 S \* 1/1994 Umino et al. .... D18/55  
D344,754 S \* 3/1994 Parsey ..... D18/55  
D349,922 S \* 8/1994 Tashiro ..... D18/50  
D350,364 S \* 9/1994 Kawashima et al. .... D18/50  
5,359,435 A \* 10/1994 Hayashi et al. .... 358/498  
5,387,043 A \* 2/1995 Fujioka et al. .... 400/691  
D358,836 S \* 5/1995 Yamaguchi et al. .... D18/55  
D364,420 S \* 11/1995 Kawashima ..... D18/54  
D369,382 S \* 4/1996 Matsunaga et al. .... D18/55  
D370,026 S \* 5/1996 McGlashan ..... D18/55  
D371,158 S \* 6/1996 Yoshida ..... D18/50  
D373,378 S \* 9/1996 Brown et al. .... D18/55  
D373,595 S \* 9/1996 Askren et al. .... D18/50  
D374,685 S \* 10/1996 Tsuruoka ..... D18/54  
5,567,068 A \* 10/1996 Egashira et al. .... 400/625  
D378,100 S \* 2/1997 Sekine ..... D18/54  
D378,757 S \* 4/1997 Dubson ..... D18/55  
D378,926 S \* 4/1997 Dubson ..... D18/50  
D378,927 S \* 4/1997 Kasahara et al. .... D18/50  
D379,828 S \* 6/1997 Dubson ..... D18/55  
5,665,955 A \* 9/1997 Collins et al. .... 235/462.14  
D384,969 S \* 10/1997 Inoue et al. .... D18/54  
D386,489 S \* 11/1997 Goldman et al. .... D14/420  
D387,337 S \* 12/1997 Sween et al. .... D14/420  
D390,593 S \* 2/1998 Inoue ..... D18/54  
D390,594 S \* 2/1998 Sekine ..... D18/54  
D390,595 S \* 2/1998 Sekine ..... D18/54  
D392,311 S \* 3/1998 Takano ..... D18/50  
D394,452 S \* 5/1998 Iwamoto et al. .... D18/54  
D399,251 S \* 10/1998 McGlashan ..... D18/55  
D401,271 S \* 11/1998 Nakajima ..... D18/55  
D401,965 S \* 12/1998 Pangburn ..... D18/55  
D408,799 S \* 4/1999 Daury ..... D14/385  
D409,584 S \* 5/1999 Fetherolf ..... D14/422  
5,917,995 A \* 6/1999 Ota ..... 358/1.12  
D413,585 S \* 9/1999 Sakuta et al. .... D14/107  
D414,472 S \* 9/1999 Metzler ..... D14/422  
D422,570 S \* 4/2000 Kobayashi ..... D14/509  
D424,102 S \* 5/2000 Igarashi ..... D18/54  
D424,609 S \* 5/2000 Inoue et al. .... D18/54  
6,065,728 A \* 5/2000 Spradlin ..... 248/309.1  
D428,047 S \* 7/2000 Kolls ..... D18/4.6  
D430,597 S \* 9/2000 Ishiguro ..... D18/55  
D430,599 S \* 9/2000 Gassett ..... D18/55  
6,113,207 A \* 9/2000 Nakano et al. .... 347/3  
D439,275 S \* 3/2001 Ohashi ..... D18/55  
D440,246 S \* 4/2001 Yin ..... D18/50  
D441,358 S \* 5/2001 Chu ..... D14/337  
D444,819 S \* 7/2001 Kurz et al. .... D21/329  
D450,345 S \* 11/2001 Miyazaki ..... D18/50  
D451,540 S \* 12/2001 Tokuda et al. .... D18/55  
D451,950 S \* 12/2001 Ohashi ..... D18/50  
D456,020 S \* 4/2002 Obata et al. .... D14/336  
6,367,996 B1 \* 4/2002 Edwards ..... 400/582  
D459,751 S \* 7/2002 Hsiao ..... D15/146  
D467,963 S \* 12/2002 Miyahara et al. .... D18/54  
D468,764 S \* 1/2003 Miyahara et al. .... D18/54  
6,540,219 B1 \* 4/2003 Naruse et al. .... 271/37  
D474,501 S \* 5/2003 Hayashi ..... D18/55  
D475,052 S \* 5/2003 Chujou et al. .... D14/422  
D477,019 S \* 7/2003 Dwyer et al. .... D18/55  
D478,594 S \* 8/2003 Ichiyoshi et al. .... D14/422  
D478,618 S \* 8/2003 Obara ..... D18/54  
D482,387 S \* 11/2003 Tatara et al. .... D18/55  
D490,462 S \* 5/2004 Chua et al. .... D18/55  
D491,950 S \* 6/2004 Perry et al. .... D14/424  
D492,313 S \* 6/2004 Ichiyoshi et al. .... D14/421  
D492,960 S \* 7/2004 Takizawa ..... D18/54  
D499,759 S \* 12/2004 Kobayashi et al. .... D18/55  
D518,826 S \* 4/2006 Chujou et al. .... D14/422  
7,029,113 B2 \* 4/2006 Hwang ..... 347/108  
D530,364 S \* 10/2006 Huang ..... D18/55  
D530,739 S \* 10/2006 Tsai ..... D18/55  
D542,292 S \* 5/2007 Kitamura et al. .... D14/422  
D549,705 S \* 8/2007 Sugitani et al. .... D14/422  
D555,652 S \* 11/2007 Kitamura et al. .... D14/420  
D560,250 S \* 1/2008 Ito ..... D18/50  
D563,413 S \* 3/2008 Kuroda et al. .... D14/422  
D573,596 S \* 7/2008 Laidlaw et al. .... D14/422  
D579,016 S \* 10/2008 Romanoff et al. .... D14/422  
D583,060 S \* 12/2008 Kitamura et al. .... D24/165  
D586,383 S \* 2/2009 Takatani ..... D18/50  
7,636,528 B2 \* 12/2009 Sato et al. .... 399/107  
D611,529 S \* 3/2010 Mistyurik et al. .... D18/50  
D615,515 S \* 5/2010 Hwang ..... D14/130  
D624,573 S \* 9/2010 Hall et al. .... D15/146  
D624,574 S \* 9/2010 Hall et al. .... D15/146  
D625,304 S \* 10/2010 Armstrong ..... D14/307  
D631,050 S \* 1/2011 Iliffe-Moon et al. .... D14/422  
D632,295 S \* 2/2011 Kuroda ..... D14/422  
D642,179 S \* 7/2011 Kuroda et al. .... D14/422  
D650,387 S \* 12/2011 Iwatsu et al. .... D14/422  
D671,542 S \* 11/2012 Siekmann et al. .... D14/422  
2003/0063337 A1 \* 4/2003 Shirai et al. .... 358/498  
2003/0095296 A1 \* 5/2003 Terashima et al. .... 358/498  
2007/0188818 A1 \* 8/2007 Westcott et al. .... 358/296  
2010/0118327 A1 \* 5/2010 Caspar et al. .... 358/1.13

\* cited by examiner



Fig. 1

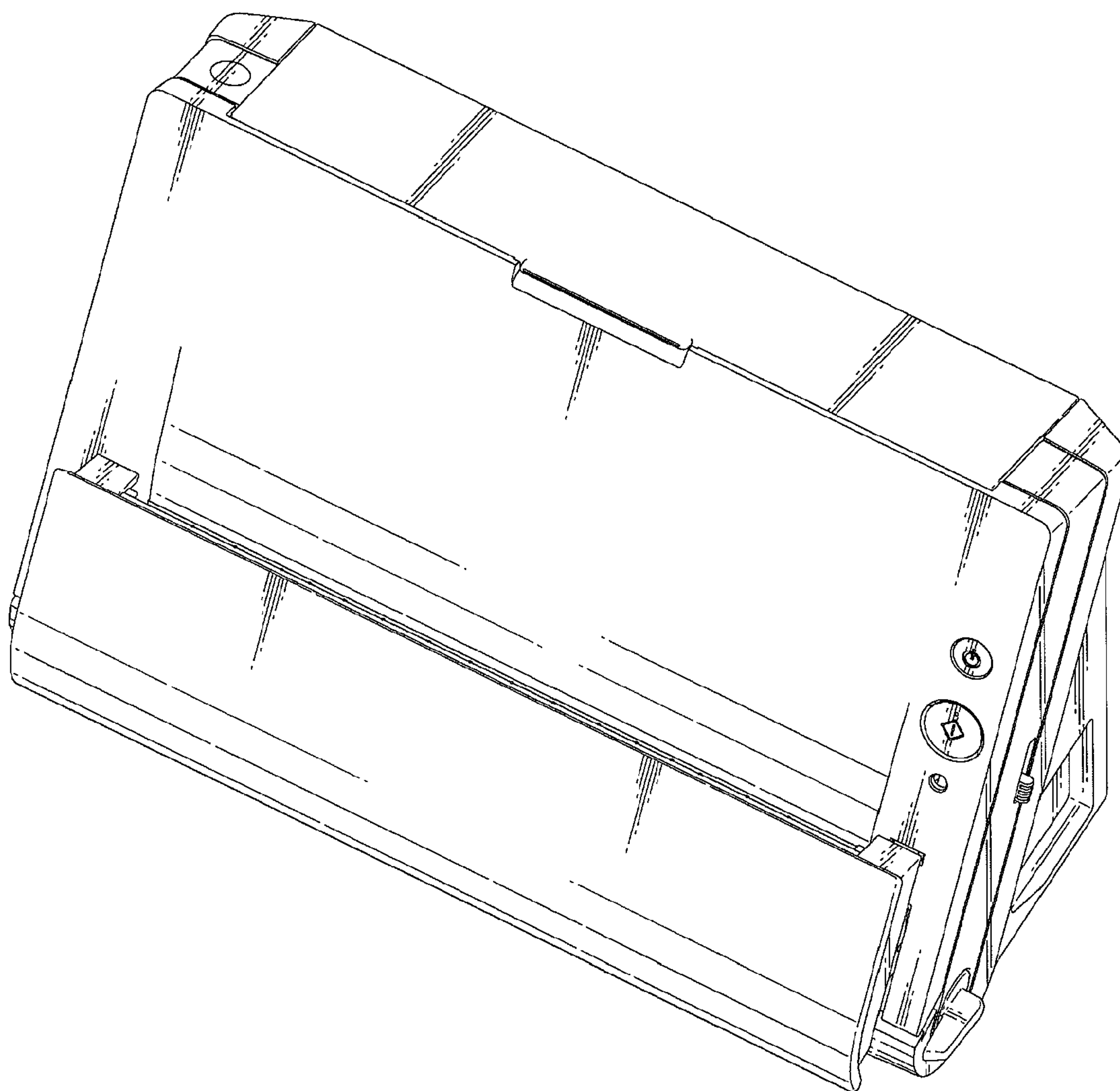


Fig. 2

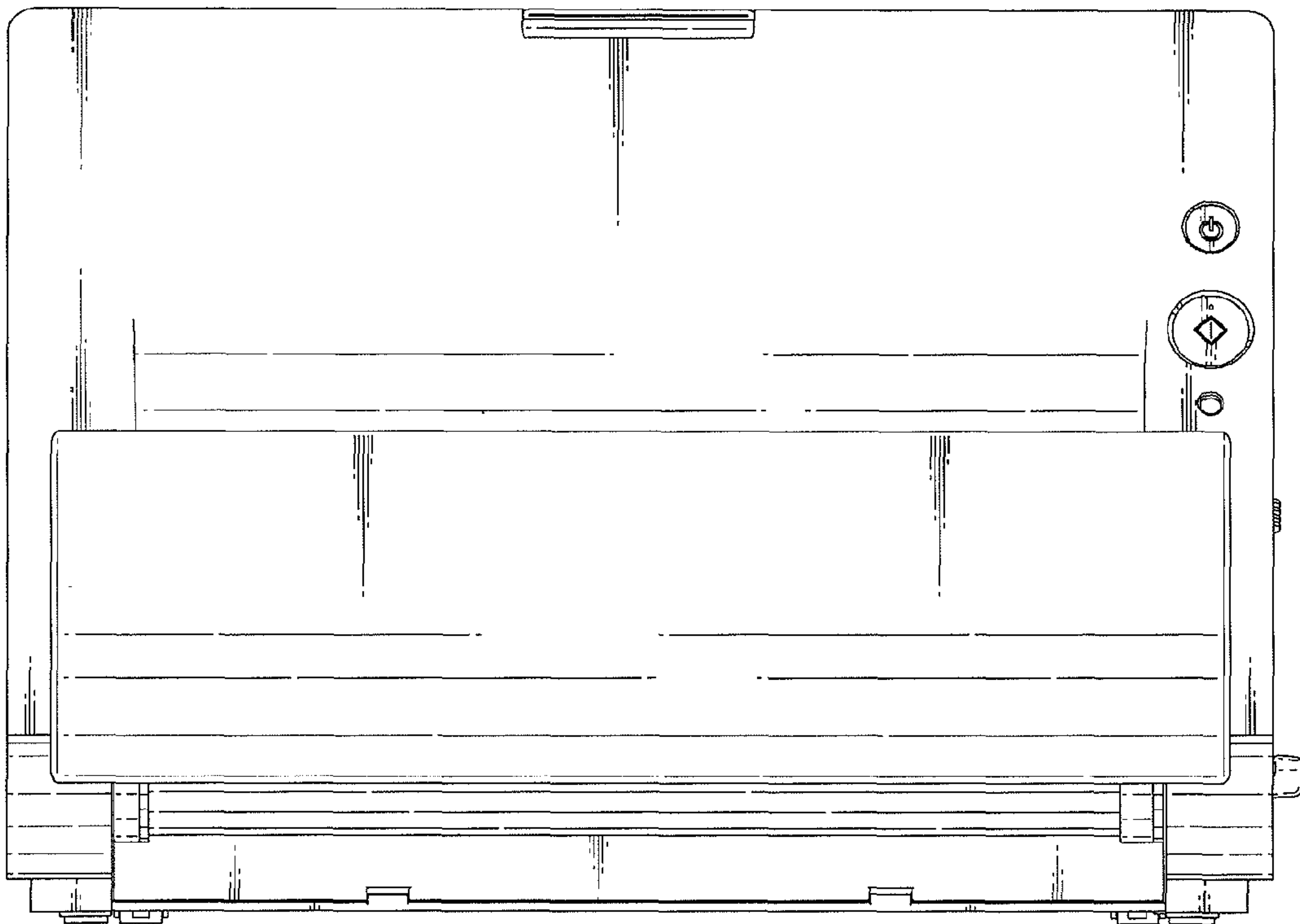


Fig. 3

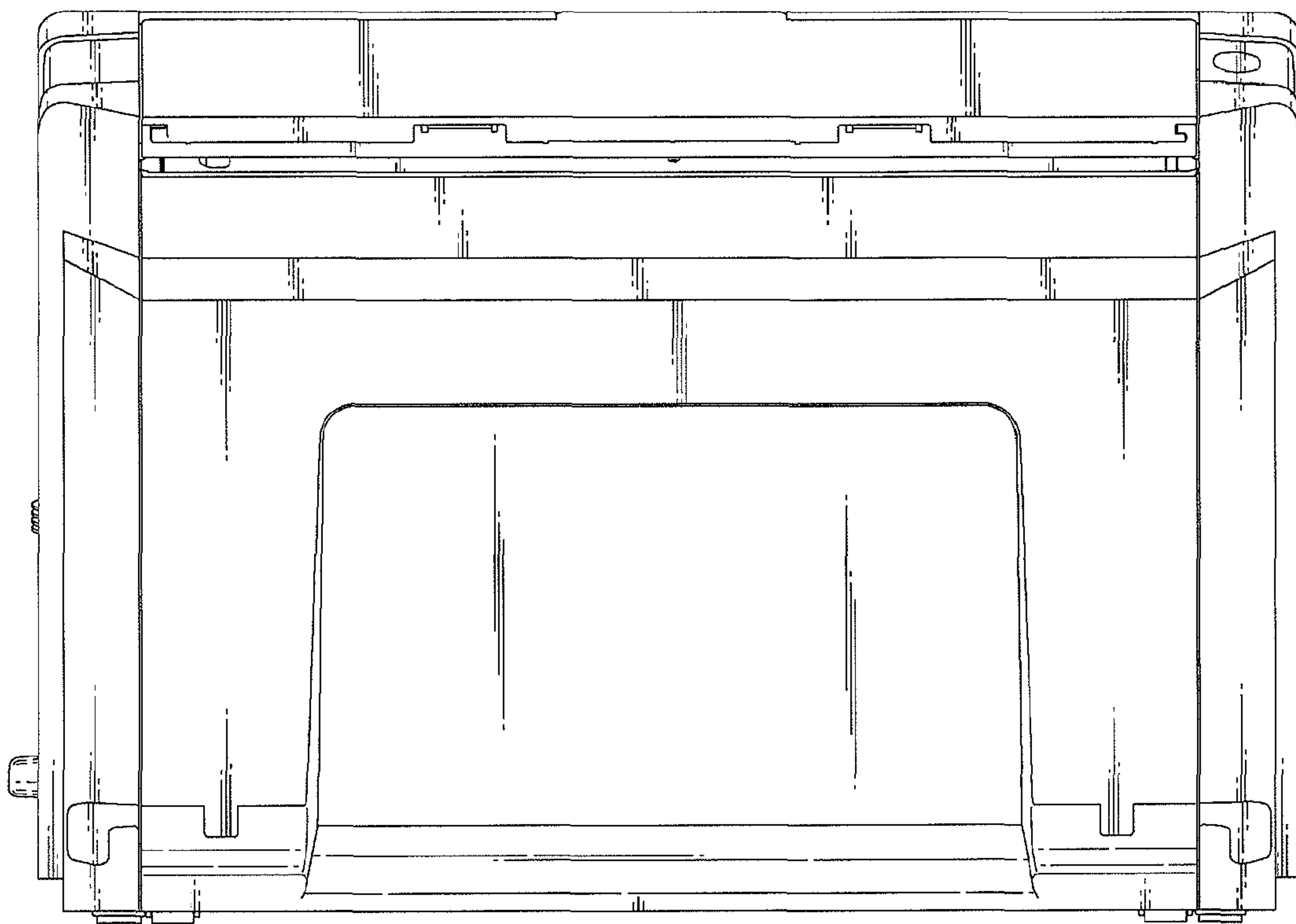


Fig. 4

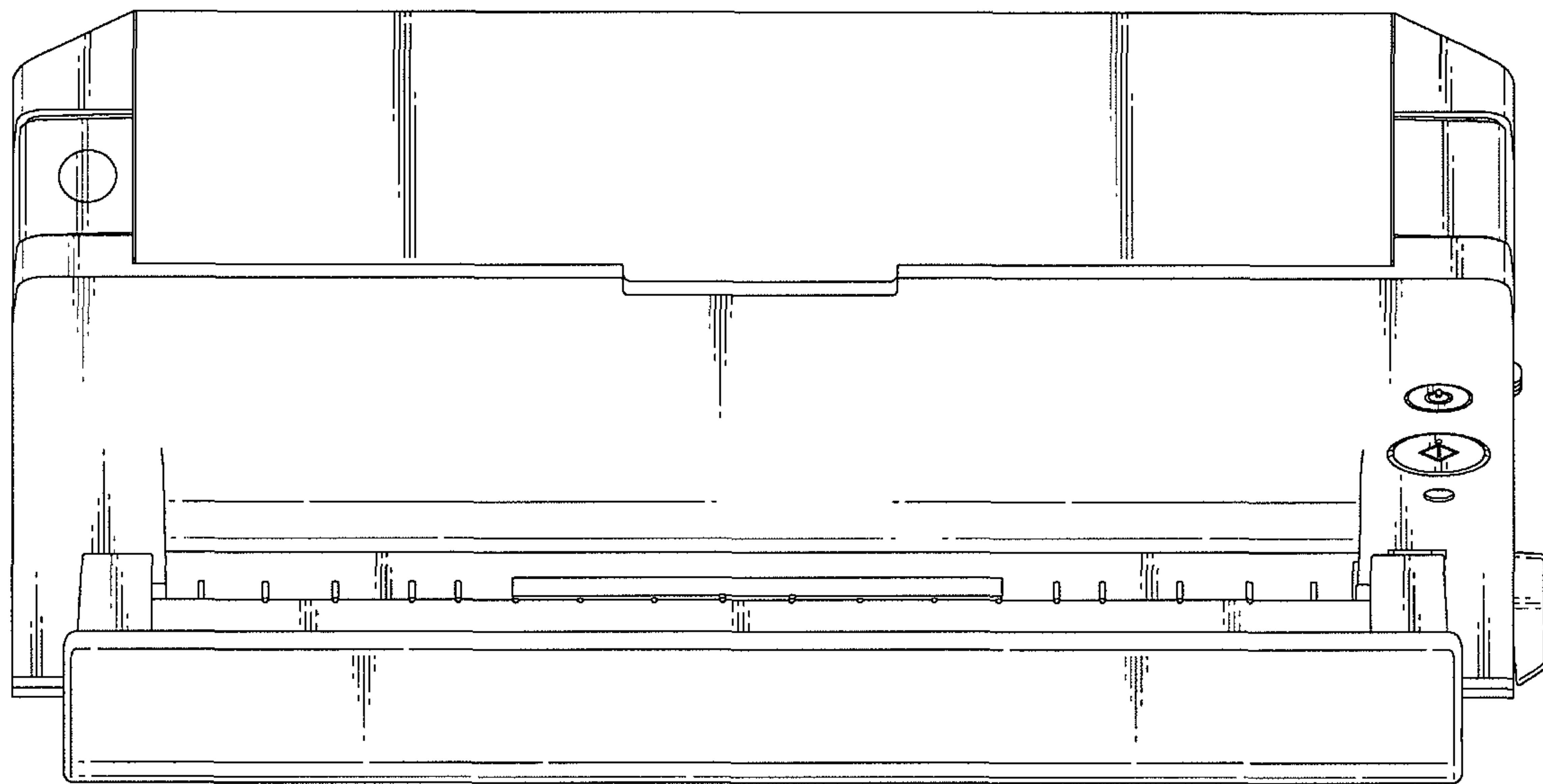


Fig. 5

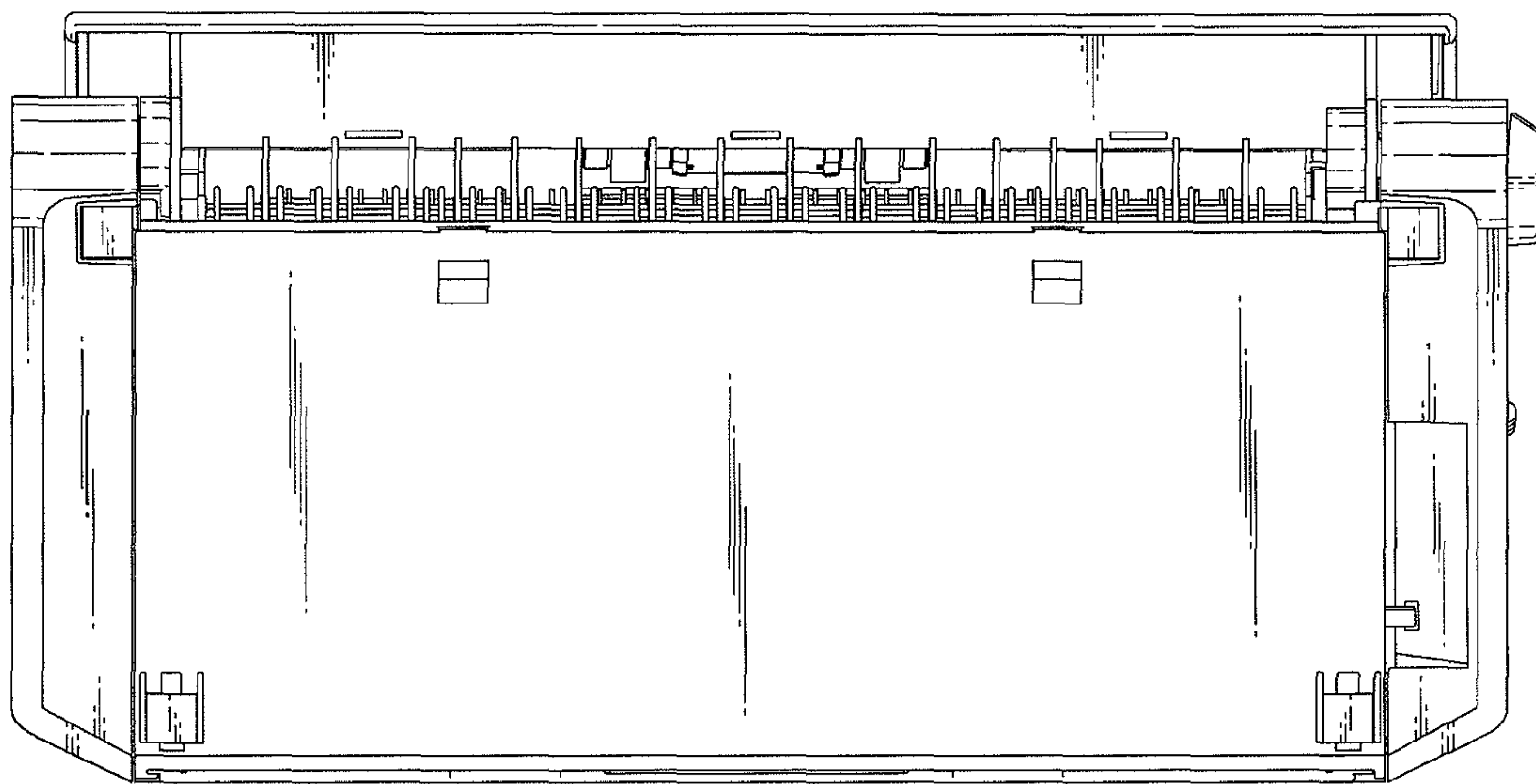


Fig. 6

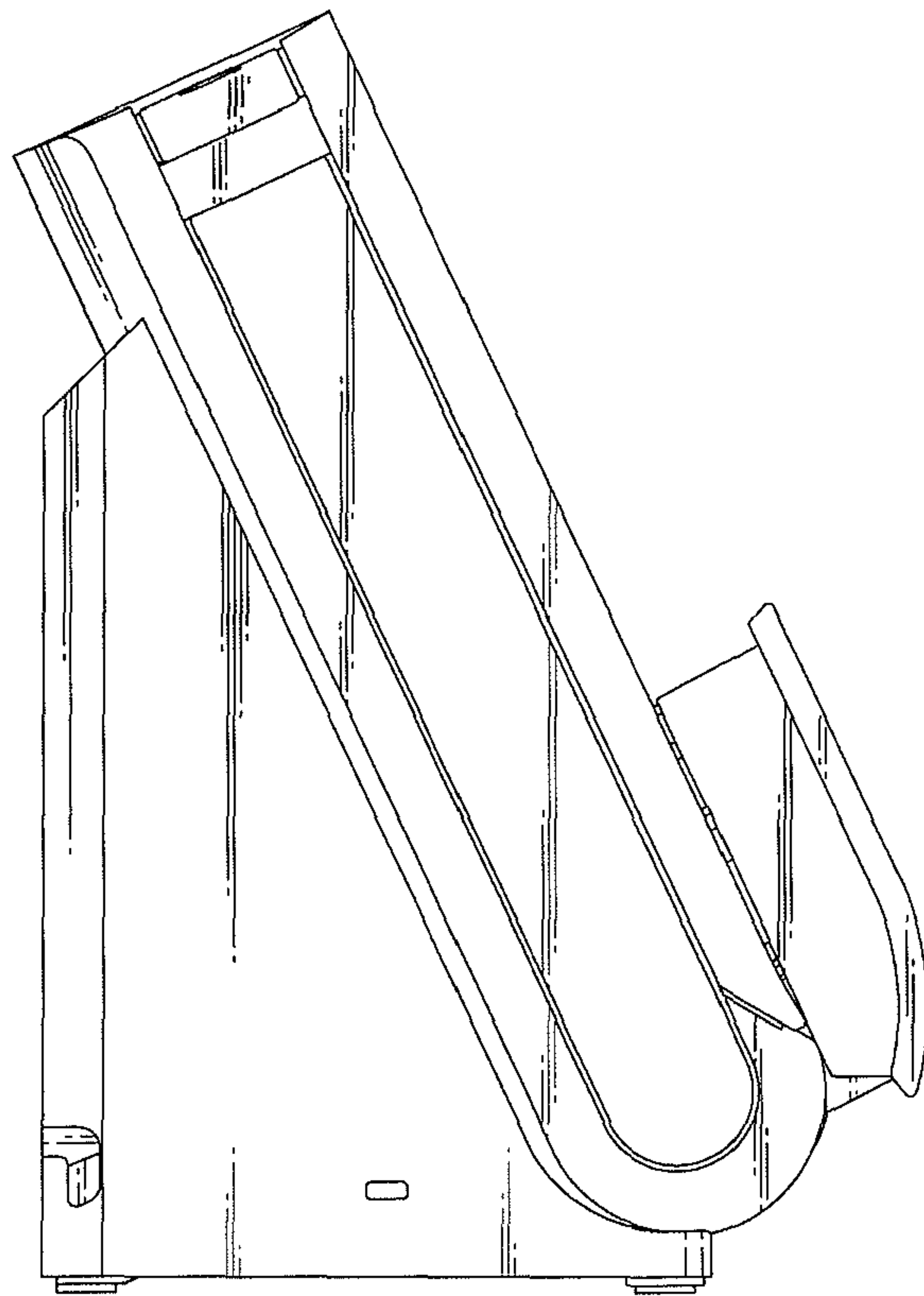




Fig. 7

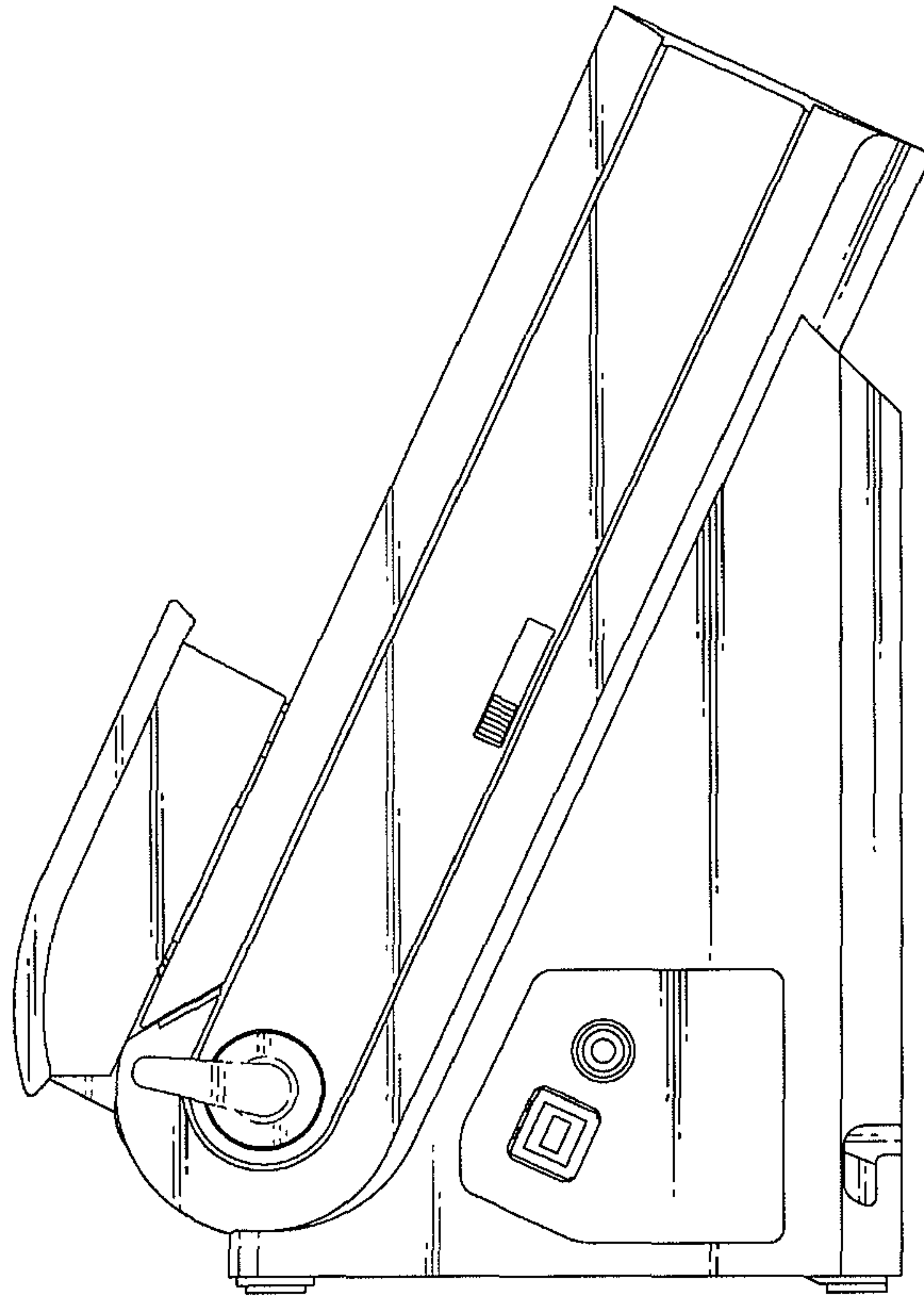


Fig. 8

