



US00D689864S

(12) **United States Design Patent**
Vaughan et al.

(10) **Patent No.:** **US D689,864 S**

(45) **Date of Patent:** **** Sep. 17, 2013**

- (54) **MOBILE DEVICE PHOTO SCANNER**
- (75) Inventors: **Corey R. Vaughan**, Providence, RI
(US); **Jason E. Durant**, Warwick, RI
(US)
- (73) Assignee: **inMusic Brands, Inc.**, Cumberland, RI
(US)
- (**) Term: **14 Years**
- (21) Appl. No.: **29/413,388**
- (22) Filed: **Feb. 15, 2012**
- (51) **LOC (9) Cl.** **14-02**
- (52) **U.S. Cl.**
USPC **D14/421**
- (58) **Field of Classification Search**
USPC D14/420, 421; D18/36; D16/246–248,
D16/250; D24/170, 144, 158, 186, 231,
D24/232; 399/378; 358/474, 473, 403, 442,
358/444, 468, 296; 250/234–236; 382/305,
382/306, 312, 313; 348/231.2, 231.3, 231.99,
348/231.1, 207.2

See application file for complete search history.

D453,933	S	*	2/2002	Mulcahy et al.	D14/420
D464,969	S	*	10/2002	Byun et al.	D14/420
D468,737	S	*	1/2003	Chien et al.	D14/349
D478,586	S	*	8/2003	Lee et al.	D14/349
D489,081	S	*	4/2004	Takizawa	D16/246
D495,696	S	*	9/2004	Peng et al.	D14/349
D497,162	S	*	10/2004	Neal et al.	D14/349
D514,556	S	*	2/2006	Rising	D14/300
D524,309	S	*	7/2006	Zhang et al.	D14/349
D530,324	S	*	10/2006	Sun et al.	D14/349
D533,553	S	*	12/2006	Xu et al.	D14/349
7,164,437	B2	*	1/2007	Truc et al.	348/96
D549,338	S	*	8/2007	Kondo	D24/158
7,377,660	B2	*	5/2008	Izumi	362/3
D585,057	S	*	1/2009	Sun et al.	D14/349
D585,058	S	*	1/2009	Sun et al.	D14/349
D595,330	S	*	6/2009	Hsu	D16/246
D603,902	S	*	11/2009	Greaves	D19/67
D604,731	S	*	11/2009	Minehart et al.	D14/349
D604,732	S	*	11/2009	Sun et al.	D14/349
D613,288	S	*	4/2010	Minehart et al.	D14/349

(Continued)

Primary Examiner — Susan Moon Lee

(74) *Attorney, Agent, or Firm* — Finnegan, Henderson, Farabow, Garrett and Dunner, LLP

(57) **CLAIM**

The ornamental design for a mobile device photo scanner, as shown and described.

DESCRIPTION

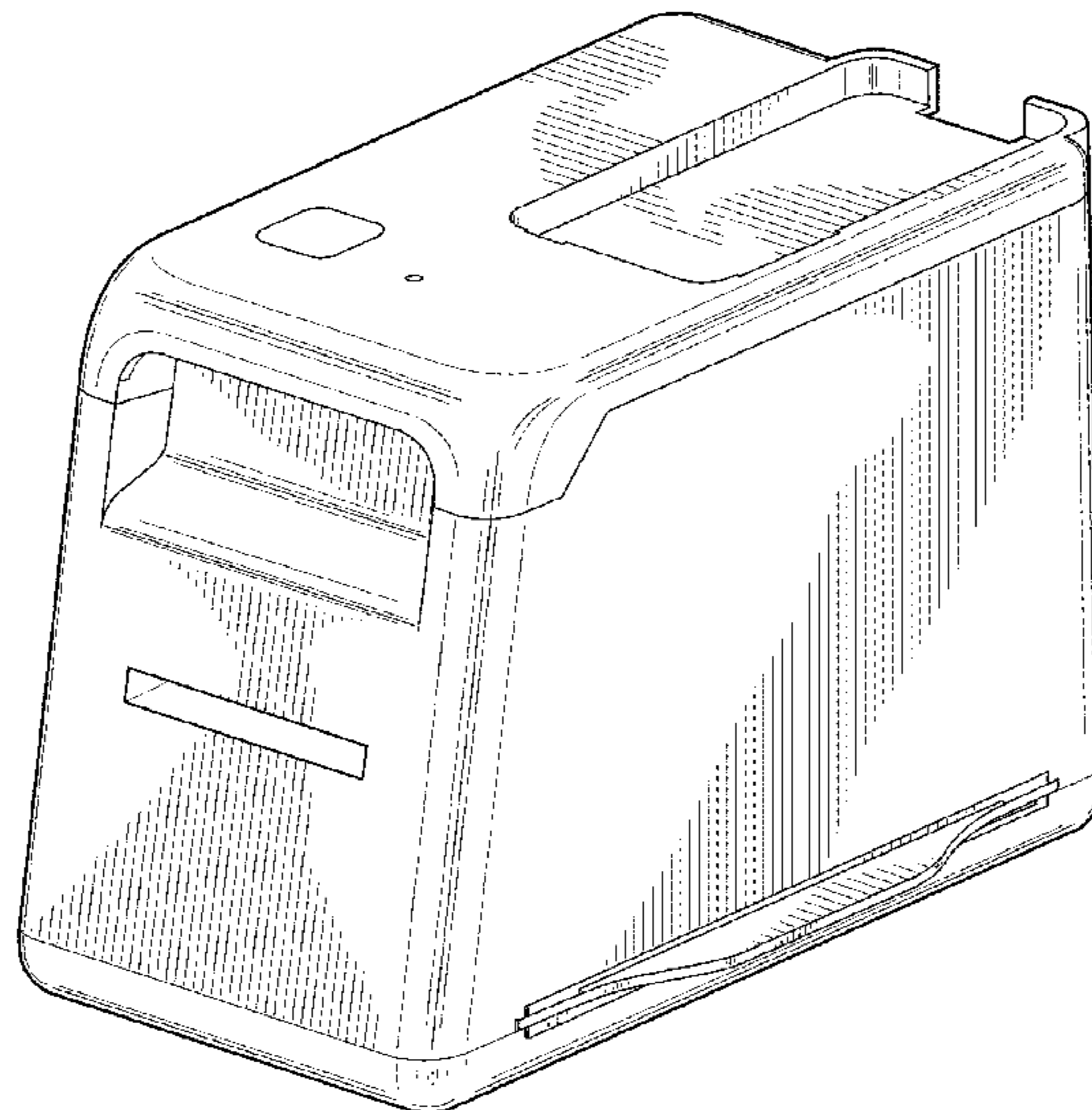
FIG. 1 is a top, front, left perspective view of an embodiment of a mobile device photo scanner showing our new design; FIG. 2 is a top, front, right perspective view thereof; FIG. 3 is a right side elevation view thereof; FIG. 4 is a left side elevation view thereof; FIG. 5 is a top view thereof; FIG. 6 is a bottom view thereof; FIG. 7 is a front elevation view thereof; and, FIG. 8 is a rear elevation view thereof.

1 Claim, 8 Drawing Sheets

(56) **References Cited**

U.S. PATENT DOCUMENTS

D295,852	S	*	5/1988	Naps et al.	D14/420
D368,256	S	*	3/1996	Stropkay et al.	D14/420
D371,565	S	*	7/1996	Betts et al.	D16/246
D379,363	S	*	5/1997	Nelson et al.	D16/247
D386,776	S	*	11/1997	Hirabayashi	D16/246
D391,238	S	*	2/1998	Sakata	D14/420
D395,286	S	*	6/1998	Alexander et al.	D14/351
D408,374	S	*	4/1999	Tsai	D14/352
D412,339	S	*	7/1999	Sakata	D16/246
D424,031	S	*	5/2000	Daly	D14/349
D424,042	S	*	5/2000	Massieu et al.	D14/420
D444,783	S	*	7/2001	Lord	D14/351
6,331,886	B2	*	12/2001	Nagano et al.	355/75



(56)

References Cited

U.S. PATENT DOCUMENTS

7,783,178 B2 * 8/2010 Liu 396/4
D635,176 S * 3/2011 Hsu D16/246

7,940,326 B2 * 5/2011 Hsu 348/370
D639,948 S * 6/2011 Personelli D24/158
8,115,974 B2 * 2/2012 Hsu 358/474
2009/0167854 A1 * 7/2009 Hsu 348/96

* cited by examiner

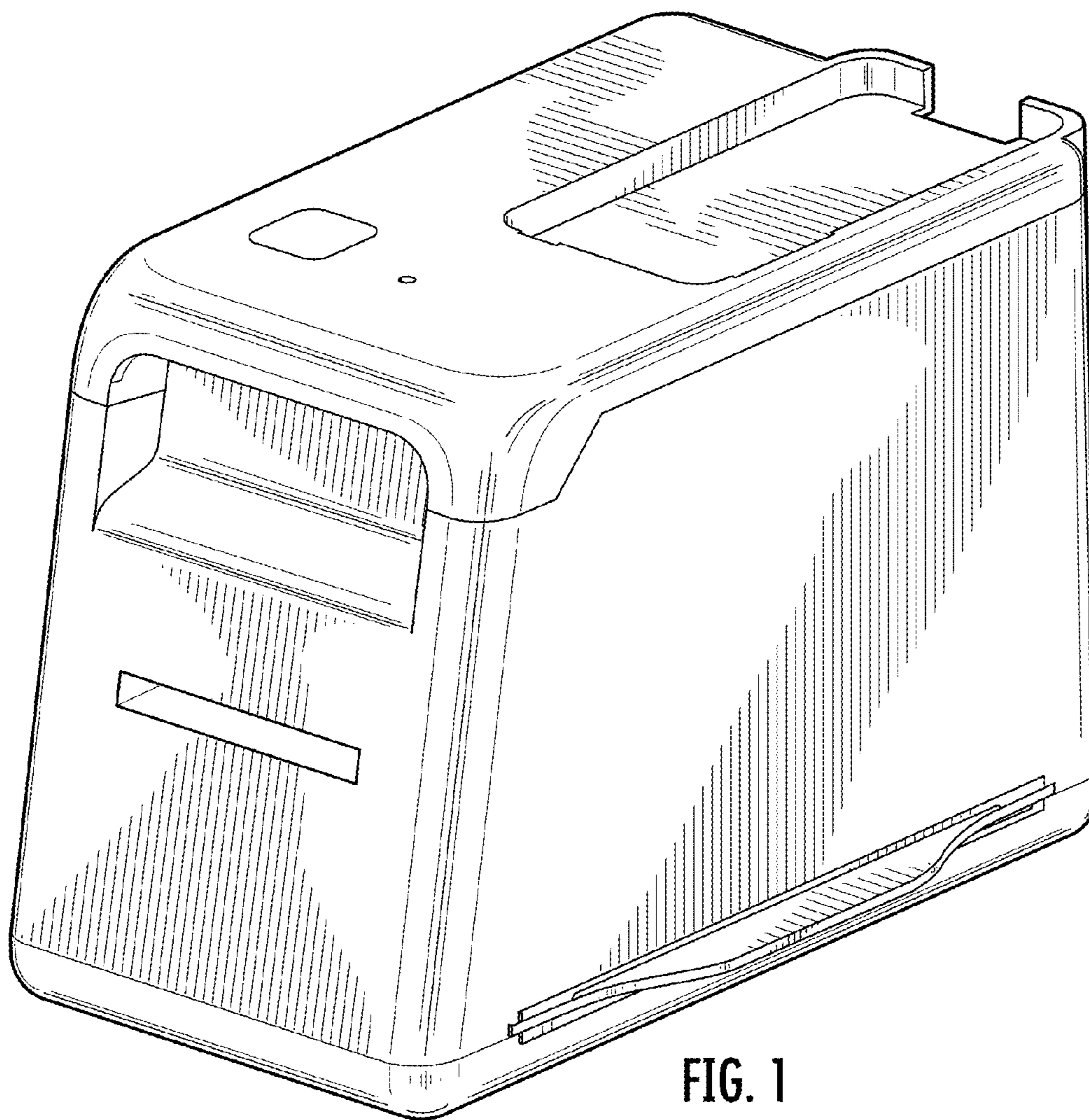


FIG. 1

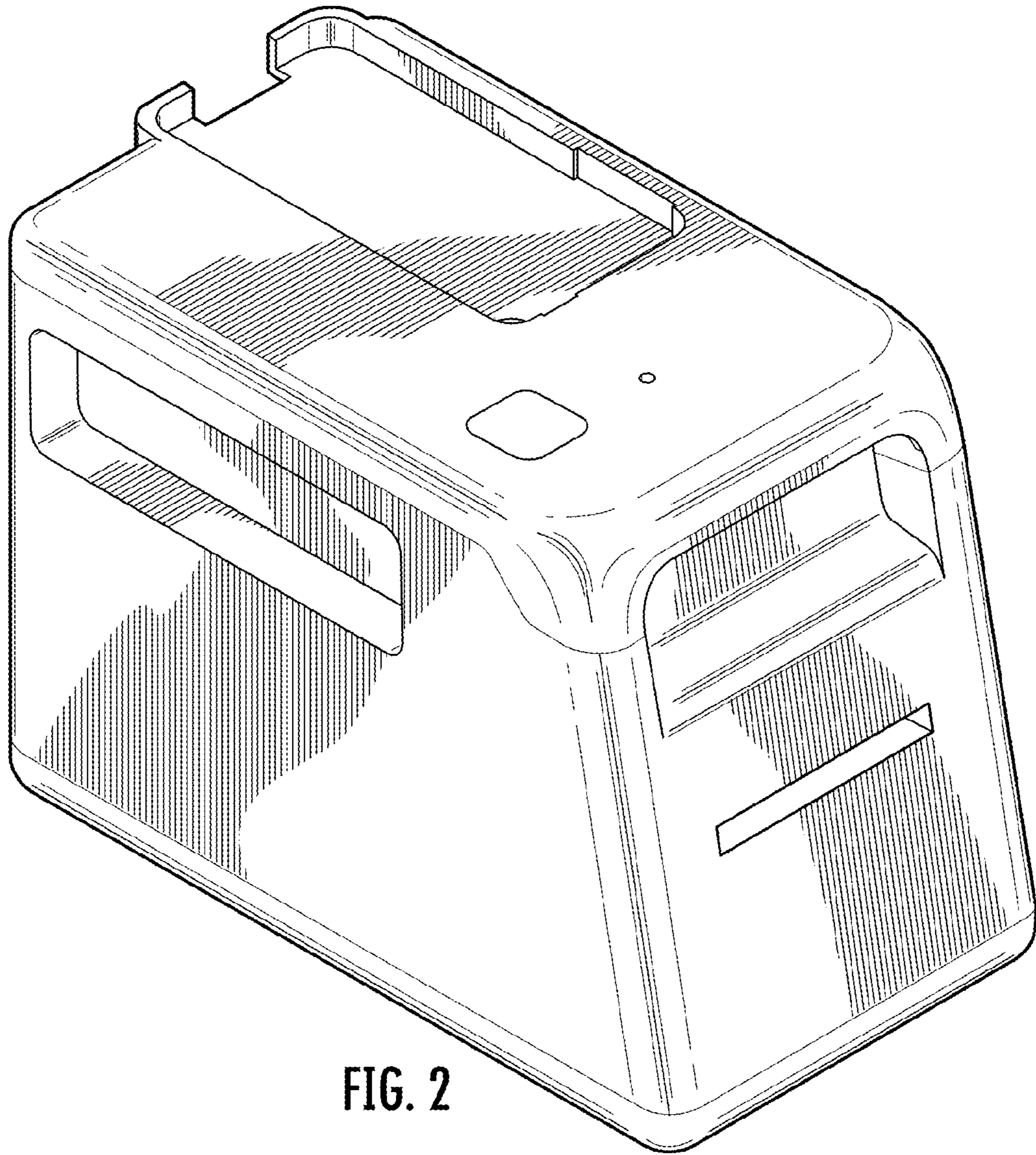


FIG. 2



FIG. 3

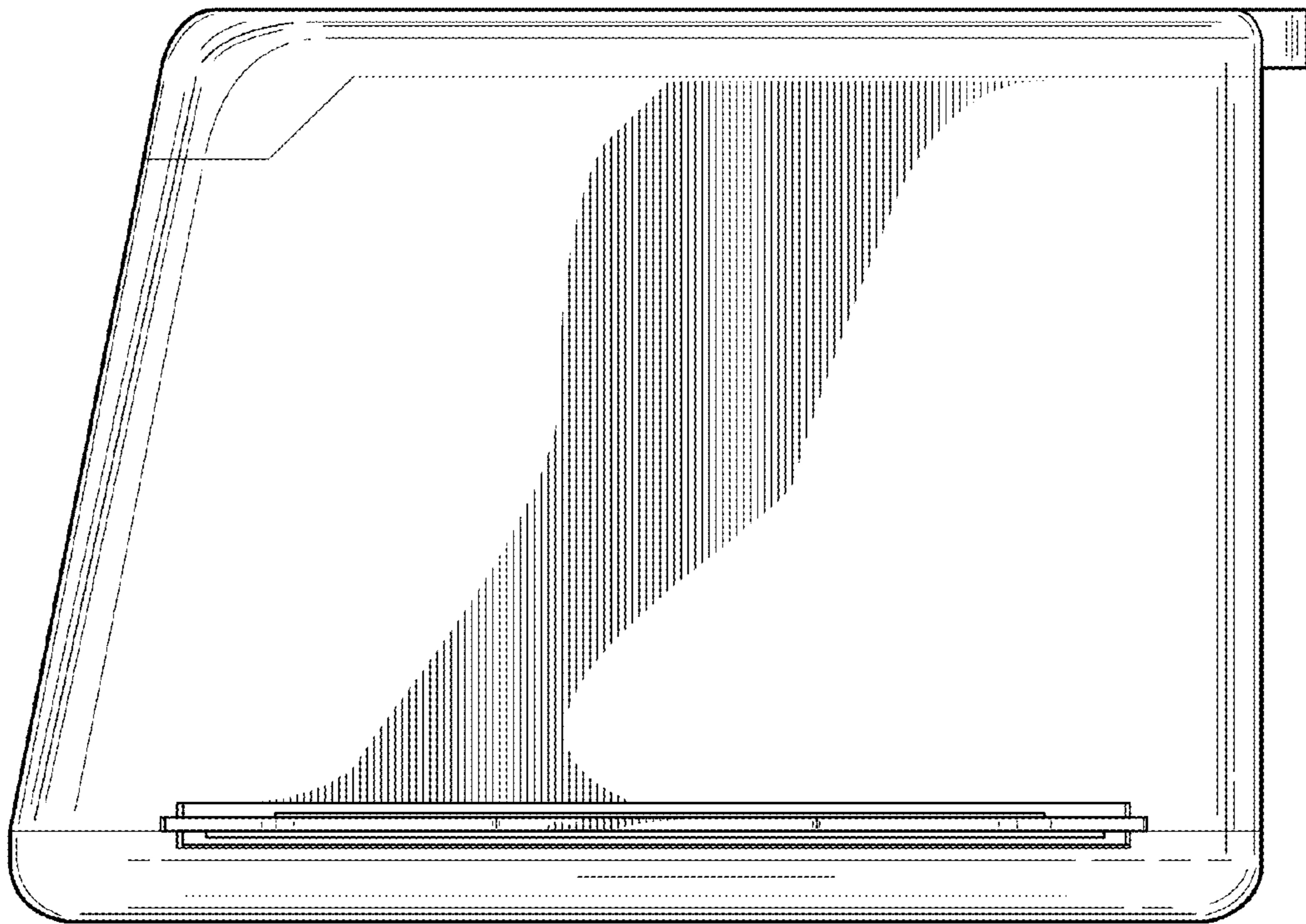


FIG. 4

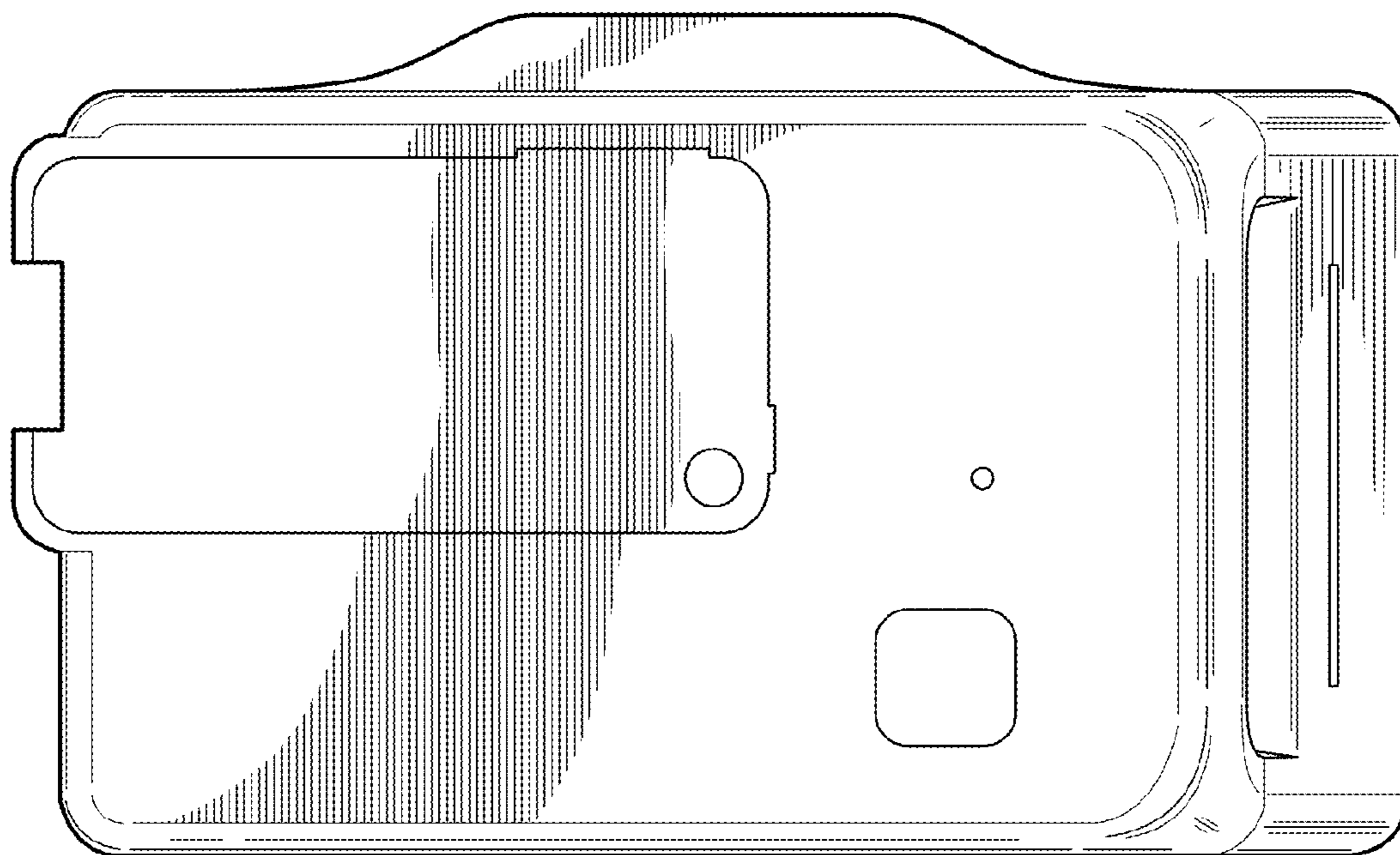


FIG. 5

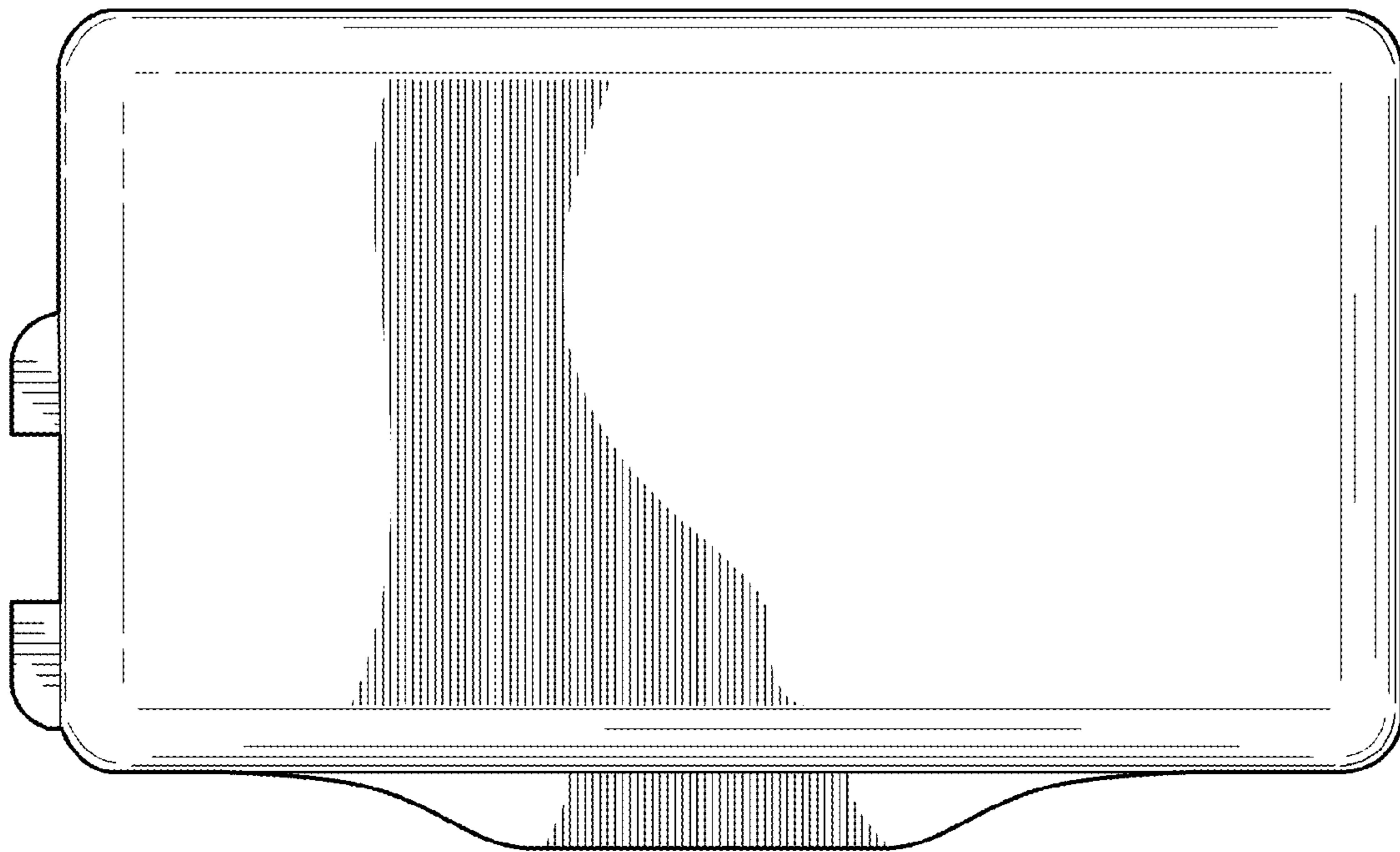


FIG. 6

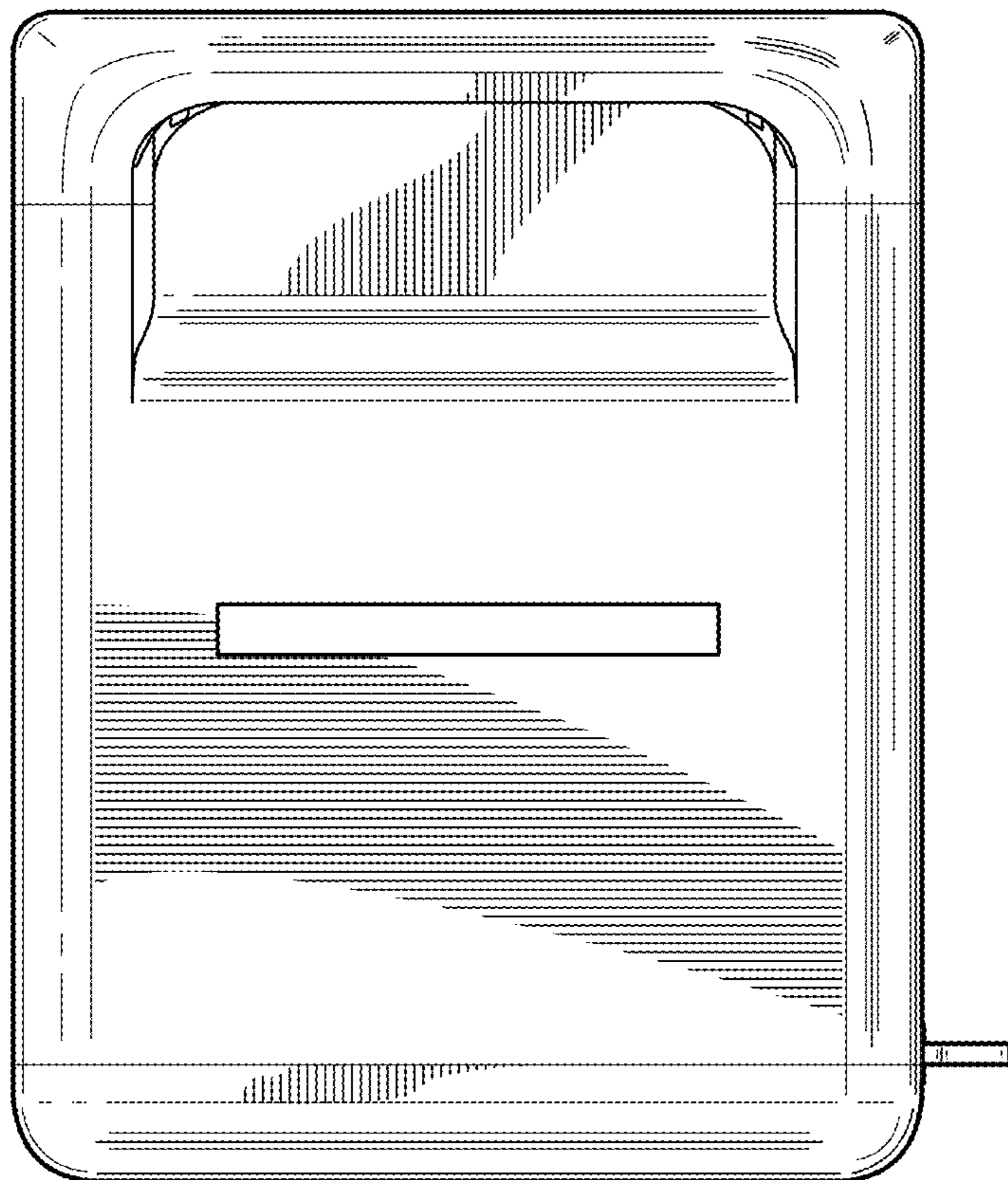


FIG. 7

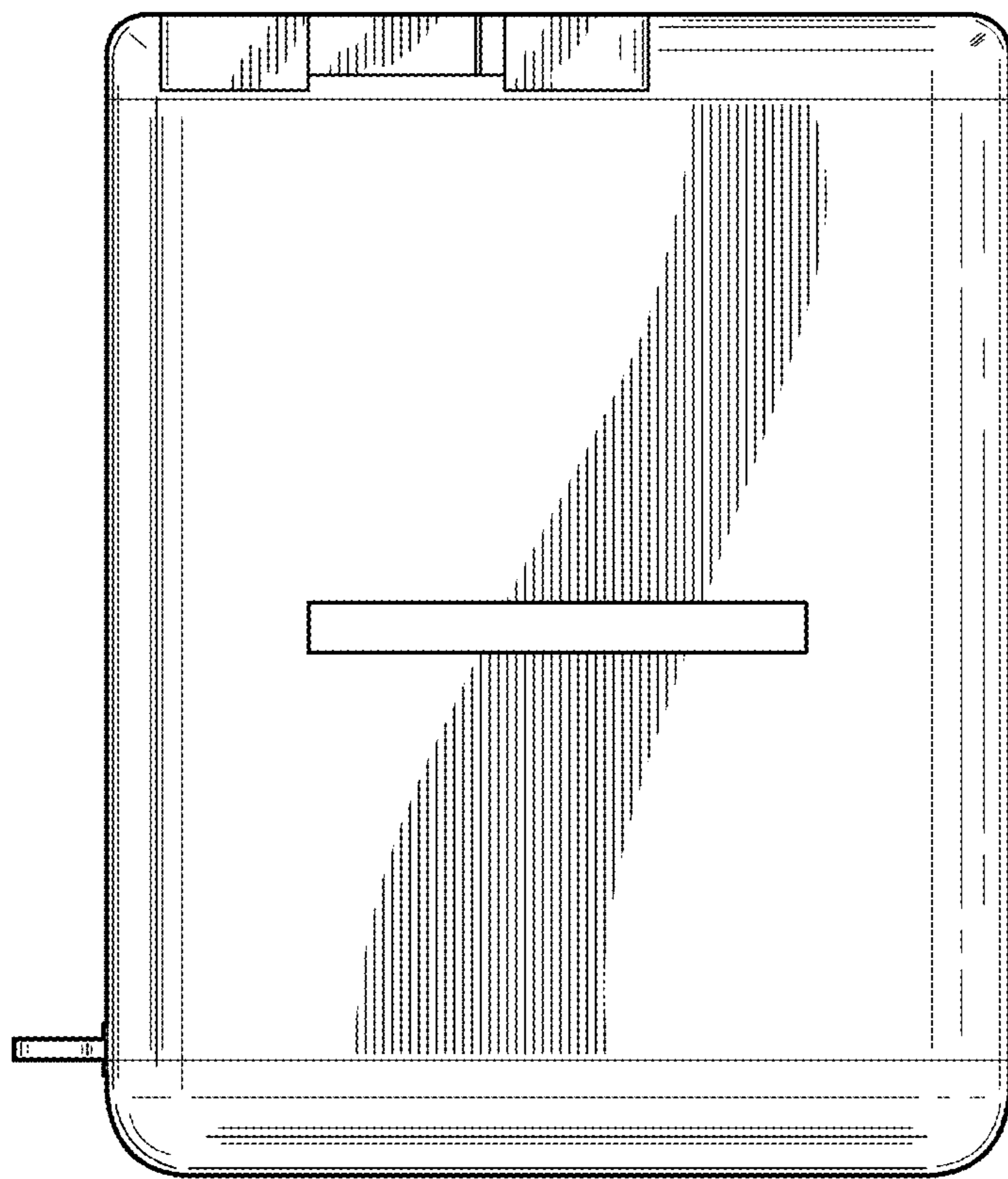


FIG. 8