



US00D689862S

(12) **United States Design Patent**  
**Liu**

(10) **Patent No.:** **US D689,862 S**

(45) **Date of Patent:** **\*\* Sep. 17, 2013**

(54) **RING MOUSE**

(71) Applicant: **KYE Systems Corp.**, New Taipei (TW)

(72) Inventor: **Te-Haw Liu**, New Taipei (TW)

(73) Assignee: **KYE Systems Corp.** (TW)

(\*\*) Term: **14 Years**

(21) Appl. No.: **29/444,379**

(22) Filed: **Jan. 30, 2013**

(30) **Foreign Application Priority Data**

Aug. 15, 2012 (TW) ..... 101304775

(51) **LOC (9) Cl.** ..... **14-02**

(52) **U.S. Cl.**  
USPC ..... **D14/402**

(58) **Field of Classification Search**  
USPC ..... D14/402-411, 356, 388, 389, 383-385,  
D14/417, 426; 345/156-167; 463/36-38;  
358/471, 473; 273/148 B  
See application file for complete search history.

(56) **References Cited**

**U.S. PATENT DOCUMENTS**

D199,195 S \* 9/1964 Michelotti ..... D11/29  
5,453,759 A \* 9/1995 Seebach ..... 345/158  
D364,862 S \* 12/1995 Hilbrink et al. .... D14/402  
D411,131 S \* 6/1999 Chen ..... D11/27

D418,494 S \* 1/2000 Robb ..... D14/411  
D426,637 S \* 6/2000 Ochi et al. .... D24/165  
D440,570 S \* 4/2001 Schneider ..... D14/411  
D463,561 S \* 9/2002 Fukatsu et al. .... D24/165  
D483,912 S \* 12/2003 Prince et al. .... D28/64.2  
D523,769 S \* 6/2006 Arlanda ..... D11/26  
D574,496 S \* 8/2008 Kitamura et al. .... D24/165  
D576,625 S \* 9/2008 Trigg et al. .... D14/411  
D627,888 S \* 11/2010 Leu ..... D24/164  
D656,615 S \* 3/2012 Tzeng ..... D24/164  
D673,953 S \* 1/2013 Li et al. .... D14/411  
D673,954 S \* 1/2013 Li et al. .... D14/411

\* cited by examiner

*Primary Examiner* — Austin Murphy

(74) *Attorney, Agent, or Firm* — Raymond Sun

(57) **CLAIM**

The ornamental design for a ring mouse, as shown and described.

**DESCRIPTION**

FIG. 1 is a perspective view of a ring mouse showing my new design.

FIG. 2 is a front elevational view of the ring mouse of FIG. 1.

FIG. 3 is a rear elevational view of the ring mouse of FIG. 1.

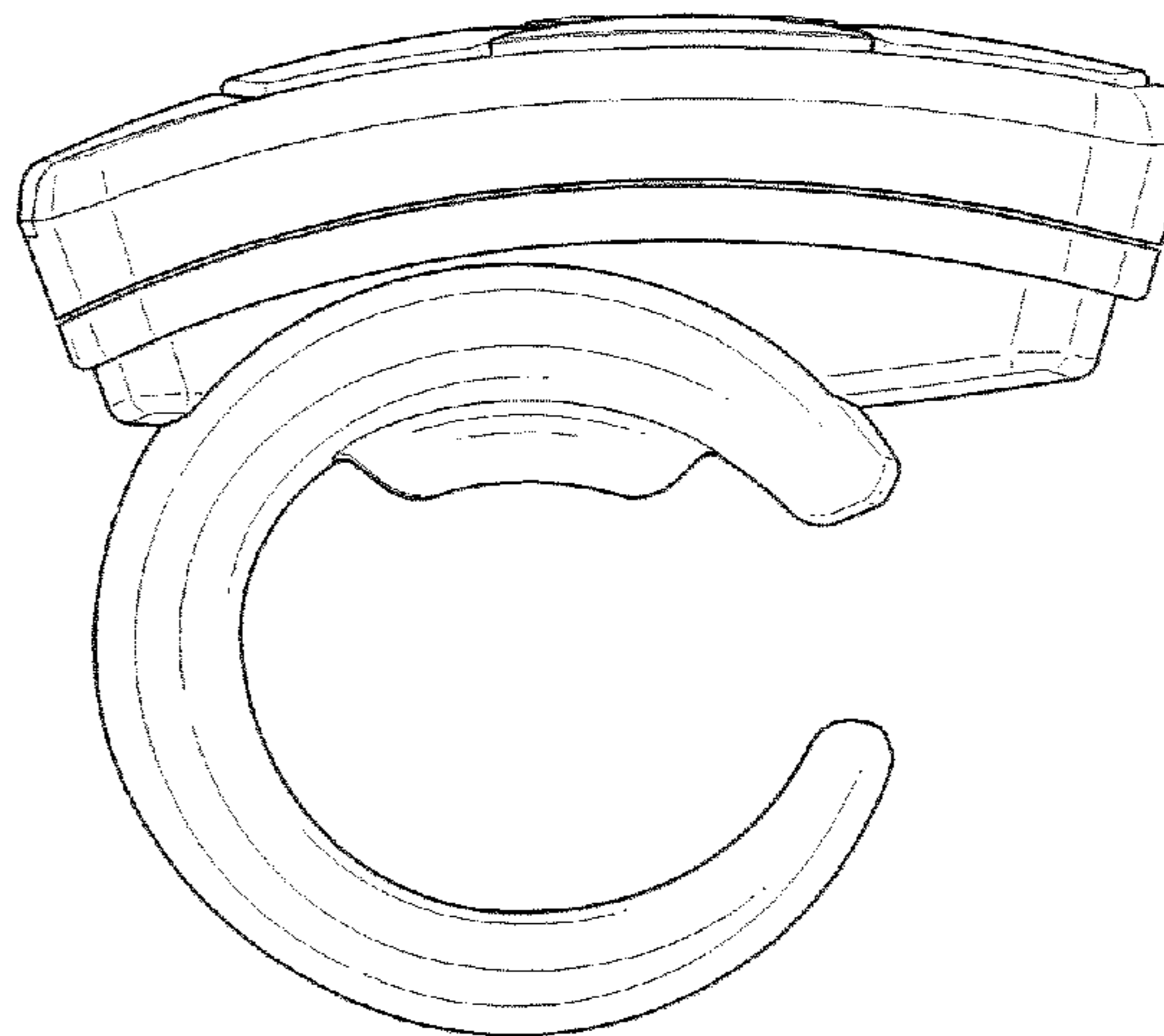
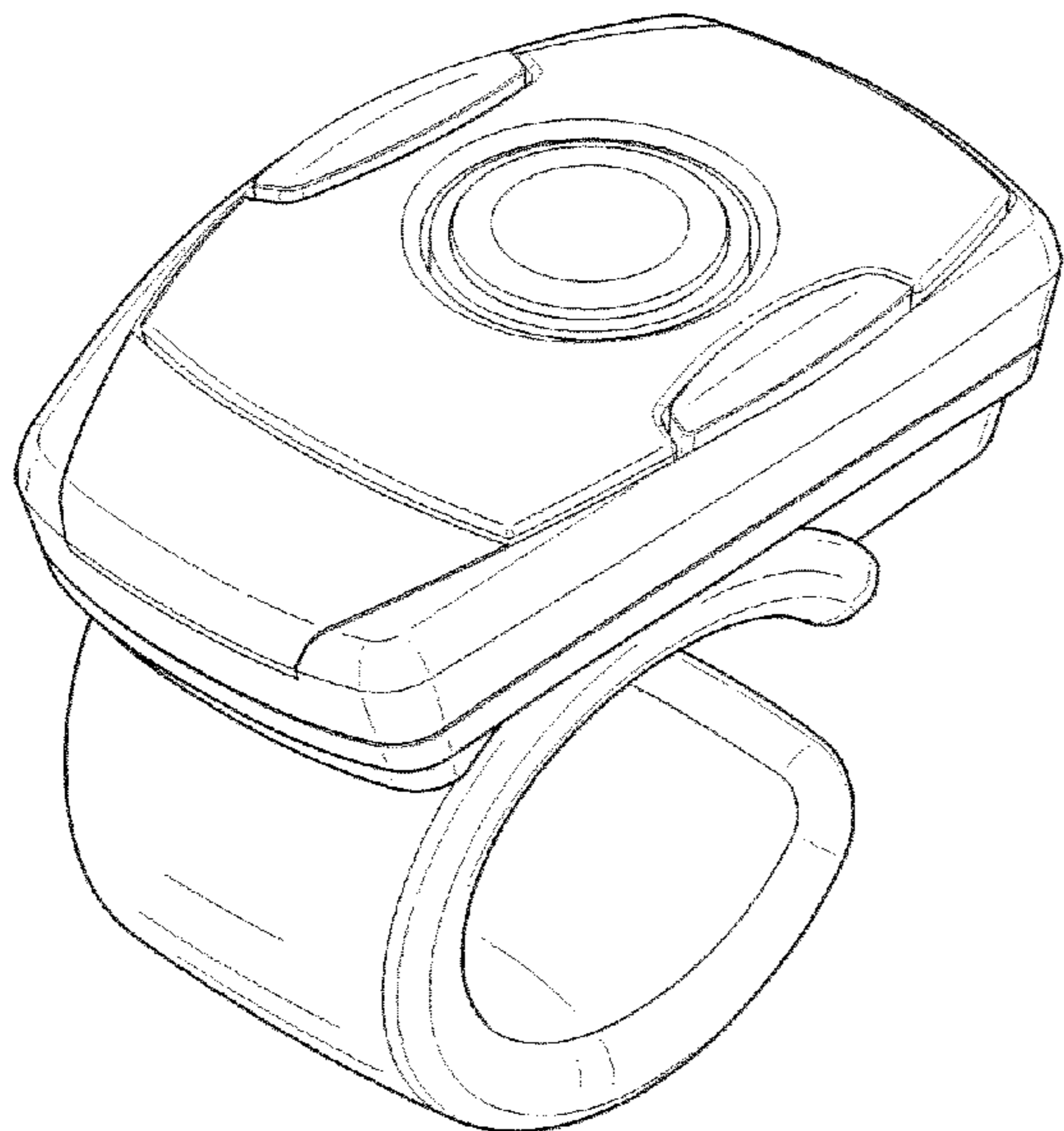
FIG. 4 is a left elevational view of the ring mouse of FIG. 1.

FIG. 5 is a right elevational view of the ring mouse of FIG. 1.

FIG. 6 is a top plan view of the ring mouse of FIG. 1; and,

FIG. 7 is a bottom plan view thereof.

**1 Claim, 7 Drawing Sheets**



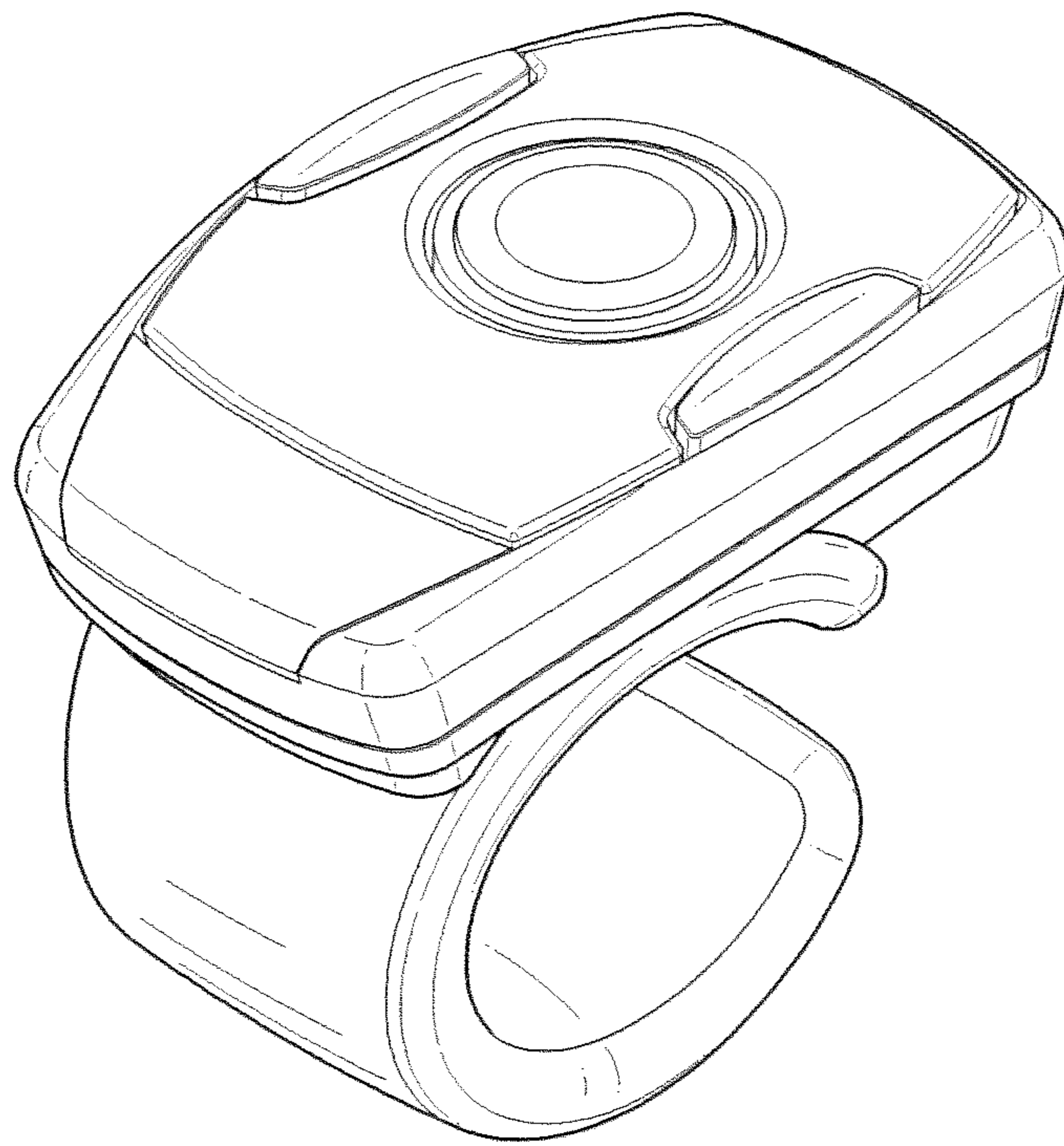


FIG.1

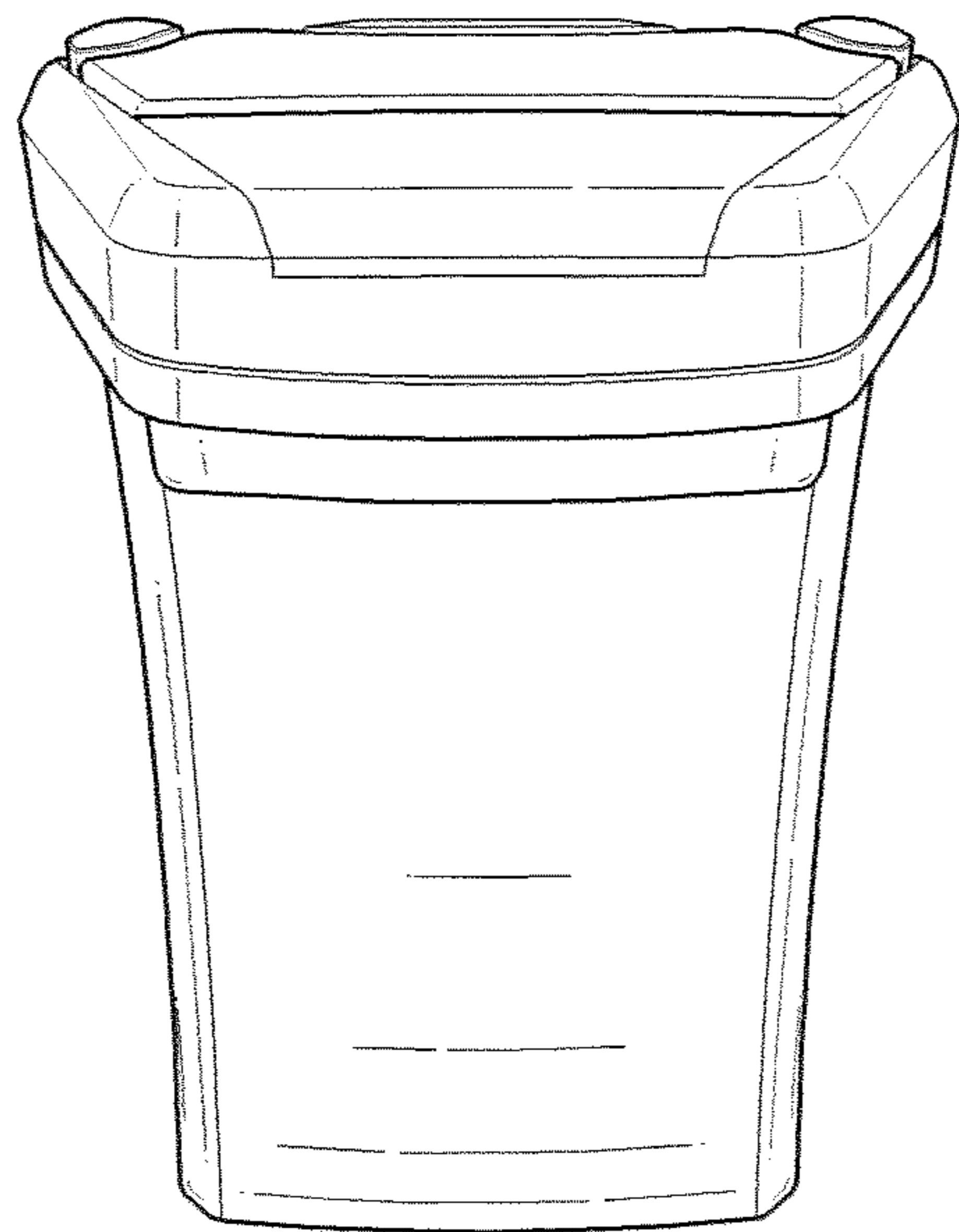


FIG.2

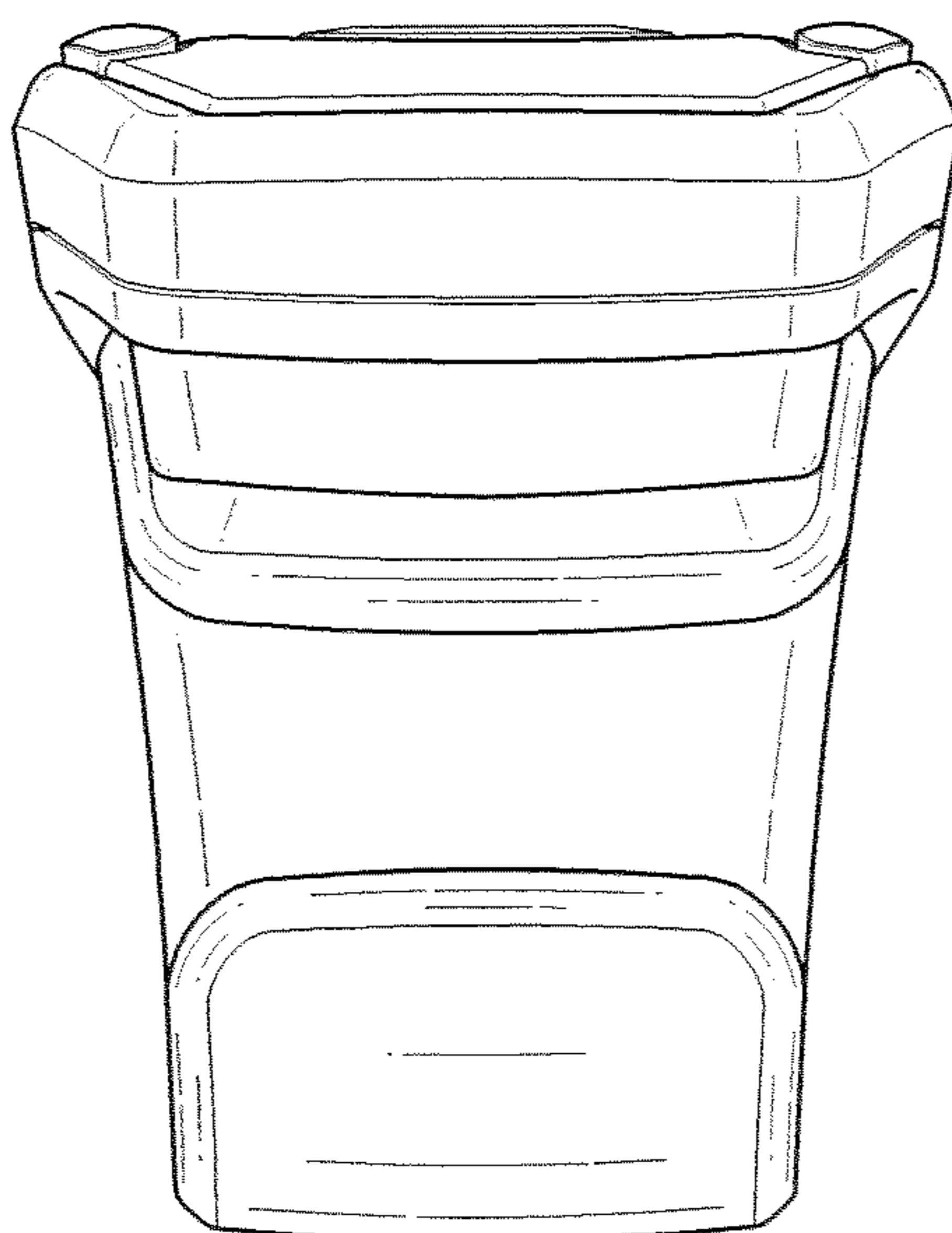


FIG.3

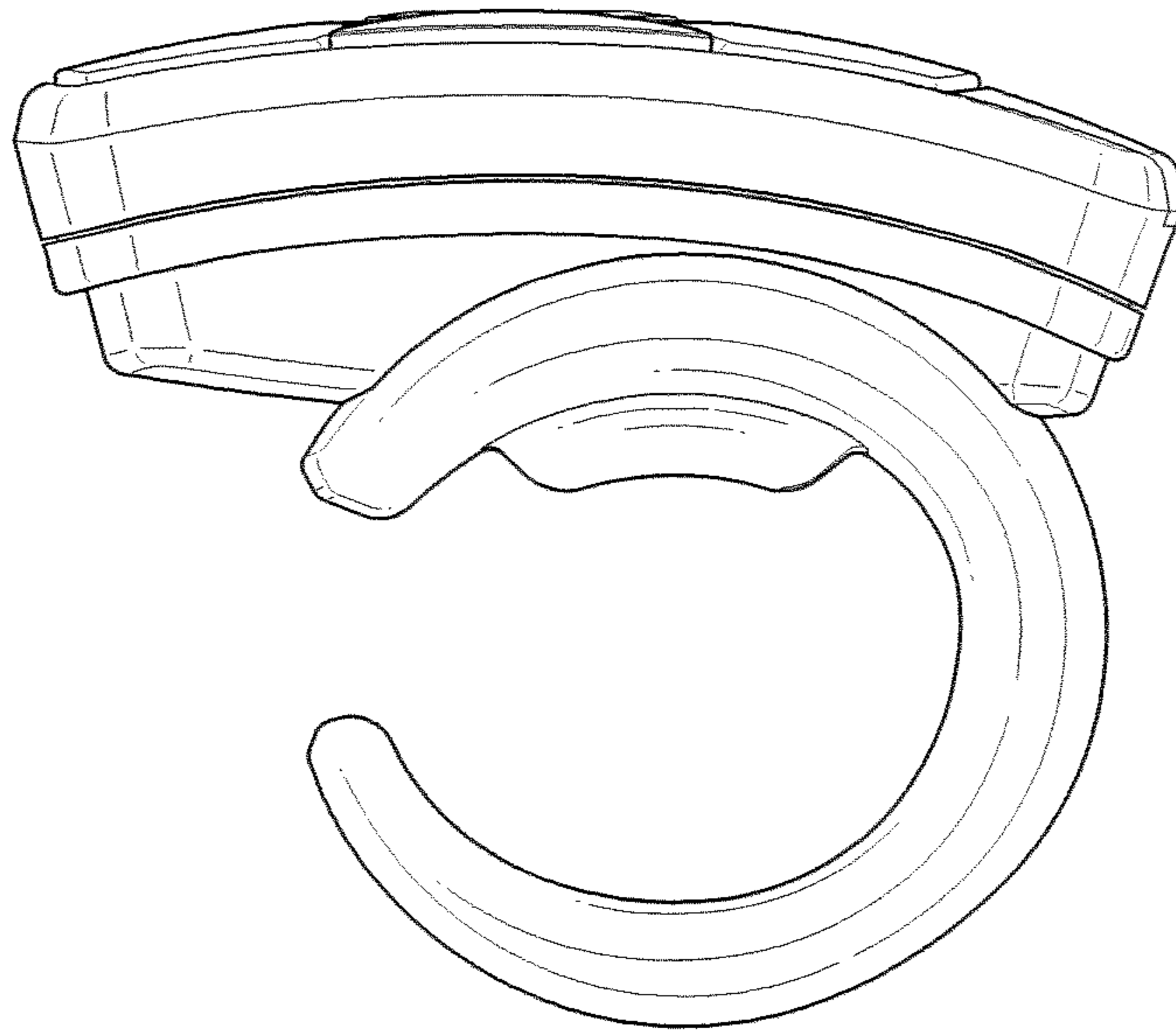


FIG.4

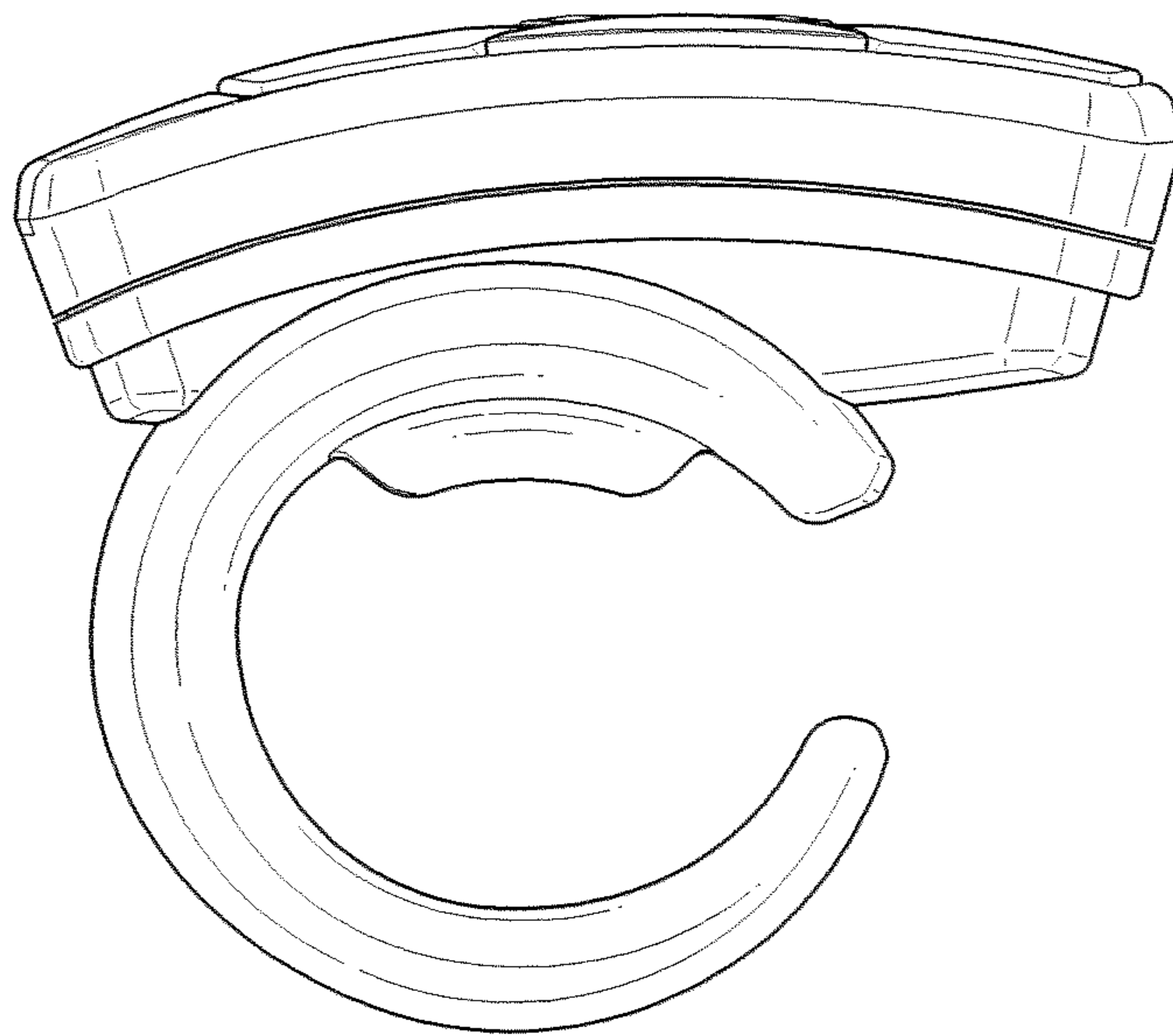


FIG.5

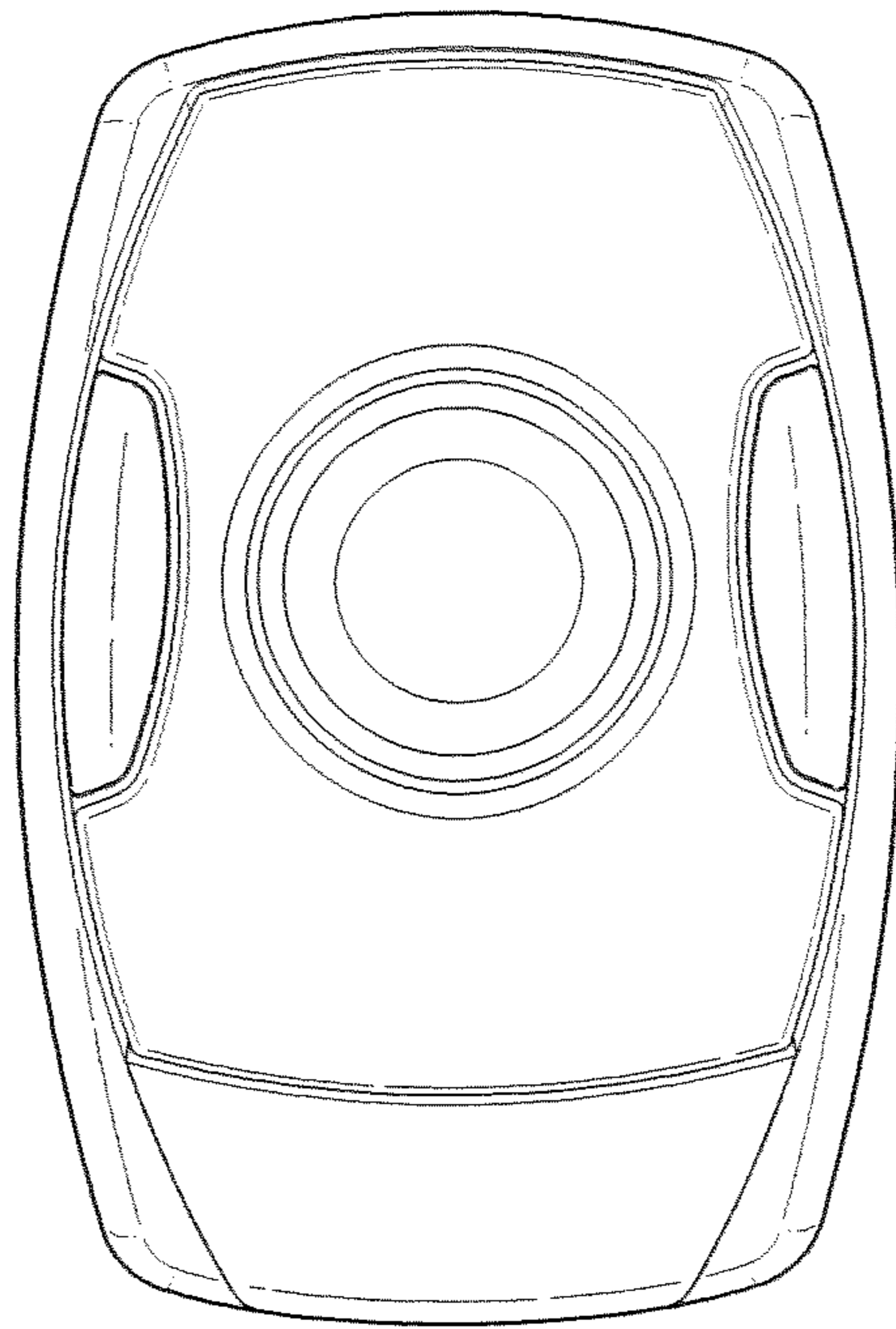


FIG.6

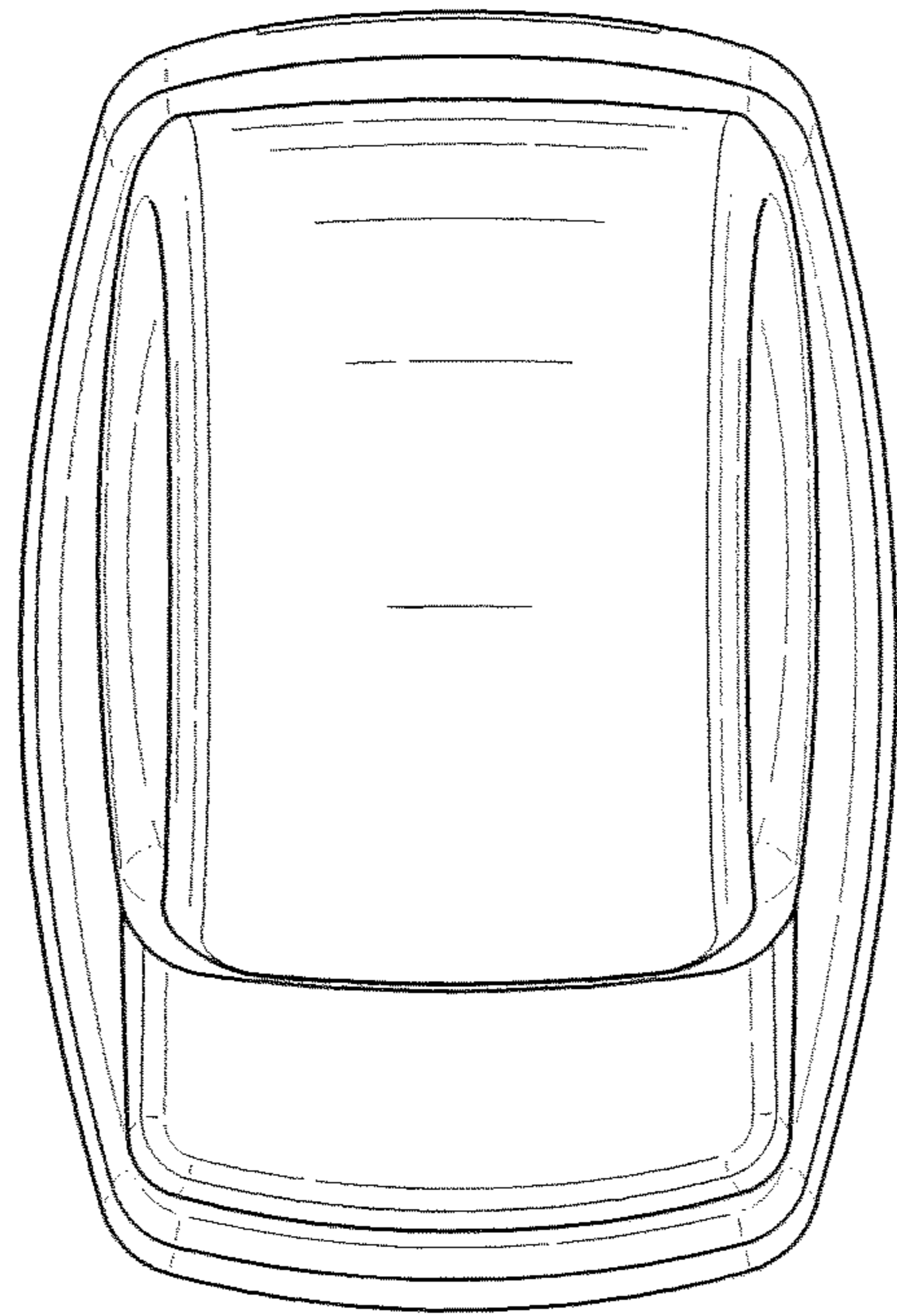


FIG.7