



US00D689860S

(12) **United States Design Patent**  
**Chong et al.**

(10) **Patent No.:** **US D689,860 S**  
(45) **Date of Patent:** **\*\* Sep. 17, 2013**

(54) **OPTICAL DISC DRIVE**

(75) Inventors: **Yuonui Chong**, Seoul (KR); **Byungmu Huh**, Seoul (KR); **Mikyung Kim**, Seoul (KR)

(73) Assignee: **LG Electronics Inc.**, Seoul (KR)

(\*\*) Term: **14 Years**

(21) Appl. No.: **29/426,852**

(22) Filed: **Jul. 11, 2012**

(30) **Foreign Application Priority Data**

Jan. 20, 2012 (KR) ..... 30-2012-0003223

(51) **LOC (9) Cl.** ..... **14-02**

(52) **U.S. Cl.**  
USPC ..... **D14/368**

(58) **Field of Classification Search**  
USPC ..... D14/319–321, 348, 356–368, 498,  
D14/501–503, 510;  
720/617–644, 646, 655–656

See application file for complete search history.

(56) **References Cited**

**U.S. PATENT DOCUMENTS**

4,608,681	A *	8/1986	Shiosaki	.....	720/632
D286,779	S *	11/1986	Sutoh et al.	.....	D14/368
D491,940	S *	6/2004	Narita	.....	D14/368
D492,698	S *	7/2004	Tsai	.....	D14/203.7
D532,785	S *	11/2006	Lo et al.	.....	D14/363
D532,786	S *	11/2006	Iseki	.....	D14/365
D574,360	S *	8/2008	Matsuoka	.....	D14/168
7,453,692	B2 *	11/2008	Chen	.....	361/679.33
D590,827	S *	4/2009	Song	.....	D14/356

D609,701	S *	2/2010	Hou	.....	D14/240
D619,140	S *	7/2010	Sin et al.	.....	D14/480.6
7,758,265	B2 *	7/2010	Furukawa et al.	.....	400/693
D624,912	S *	10/2010	Chen et al.	.....	D14/356
D632,290	S *	2/2011	Jeon et al.	.....	D14/356
D660,809	S *	5/2012	Kern Koskela et al.	.....	D13/168
D662,904	S *	7/2012	Wu et al.	.....	D14/125
8,411,434	B2 *	4/2013	Goh et al.	.....	361/679.6
2008/0040735	A1 *	2/2008	Saitou et al.	.....	720/622

**OTHER PUBLICATIONS**

ProDrive | Hitachi Global Storage Technologies, [online], [retrieved on Mar. 22, 2011]. Retrieved from the Internet <URL: <http://www.hitachigst.com/external-drives/desktop/prodrive>>.\*

\* cited by examiner

*Primary Examiner* — Karen E Kearney

(74) *Attorney, Agent, or Firm* — Birch, Stewart, Kolasch & Birch, LLP

(57) **CLAIM**

The ornamental design for an optical disc drive, as shown and described.

**DESCRIPTION**

FIG. 1 is a perspective view of an optical disc drive showing our new design;  
FIG. 2 is a front view thereof;  
FIG. 3 is a rear view thereof;  
FIG. 4 is a left side view thereof where the right side view is a mirror image;  
FIG. 5 is a top plan view thereof; and,  
FIG. 6 is a bottom plan view thereof.

**1 Claim, 6 Drawing Sheets**

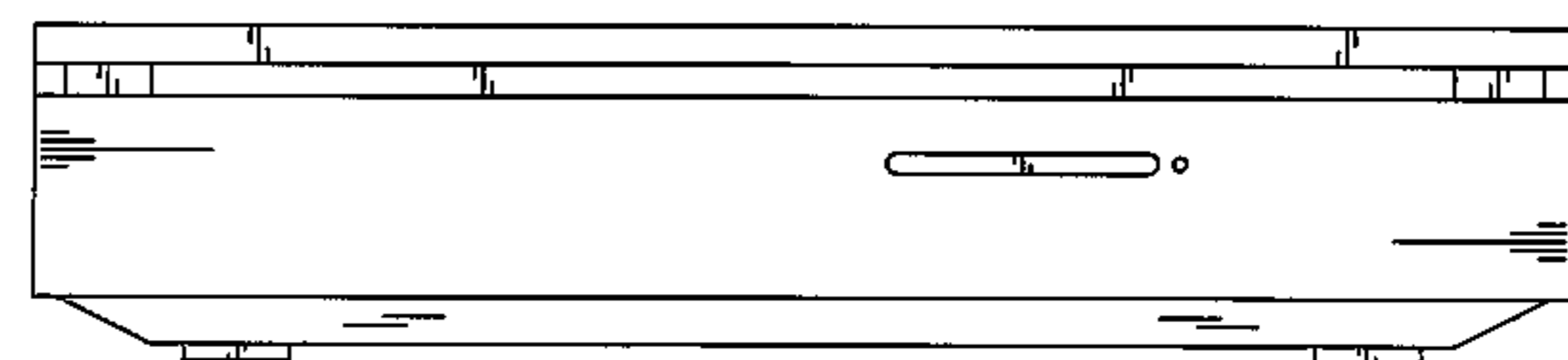
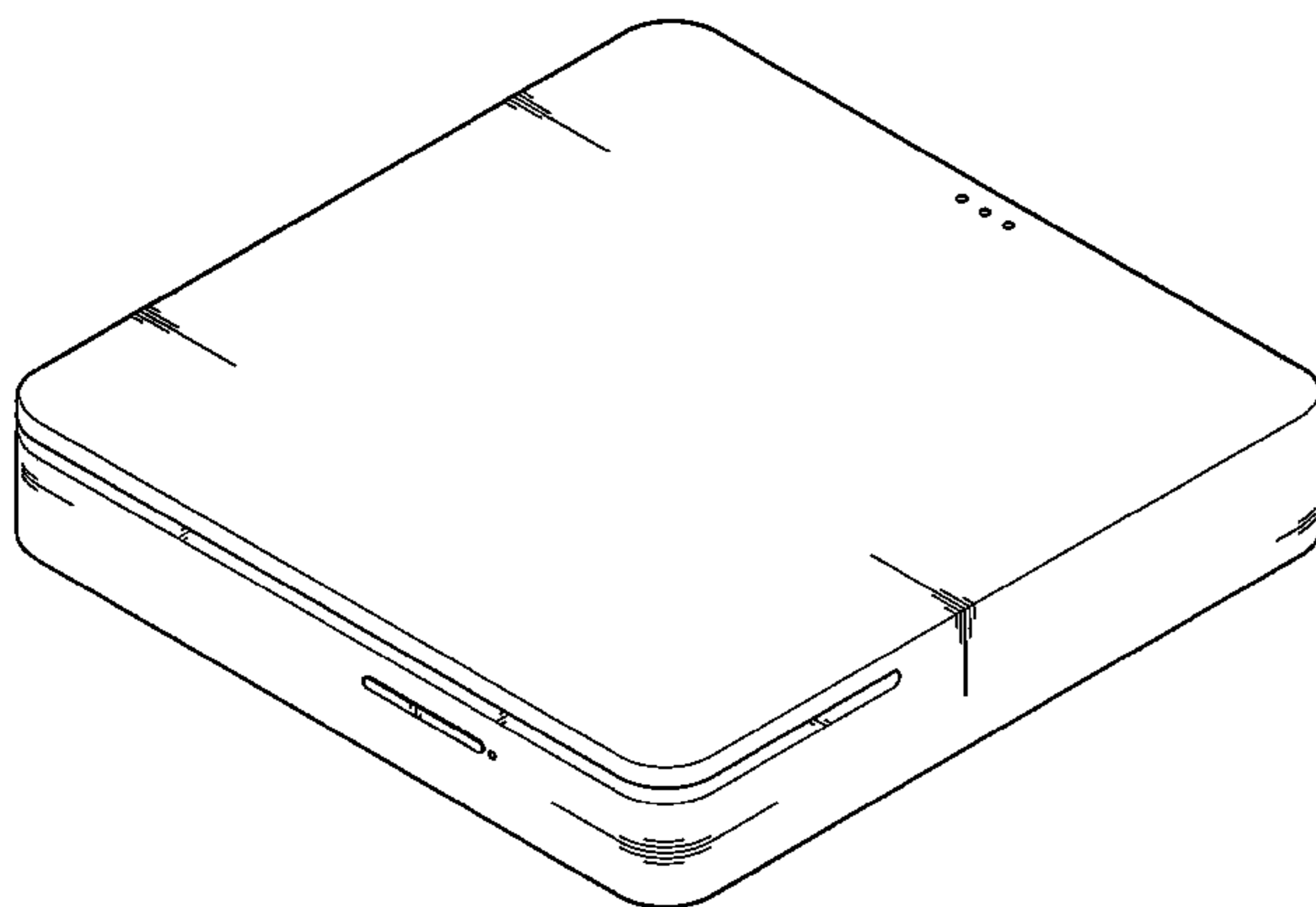


FIG. 1

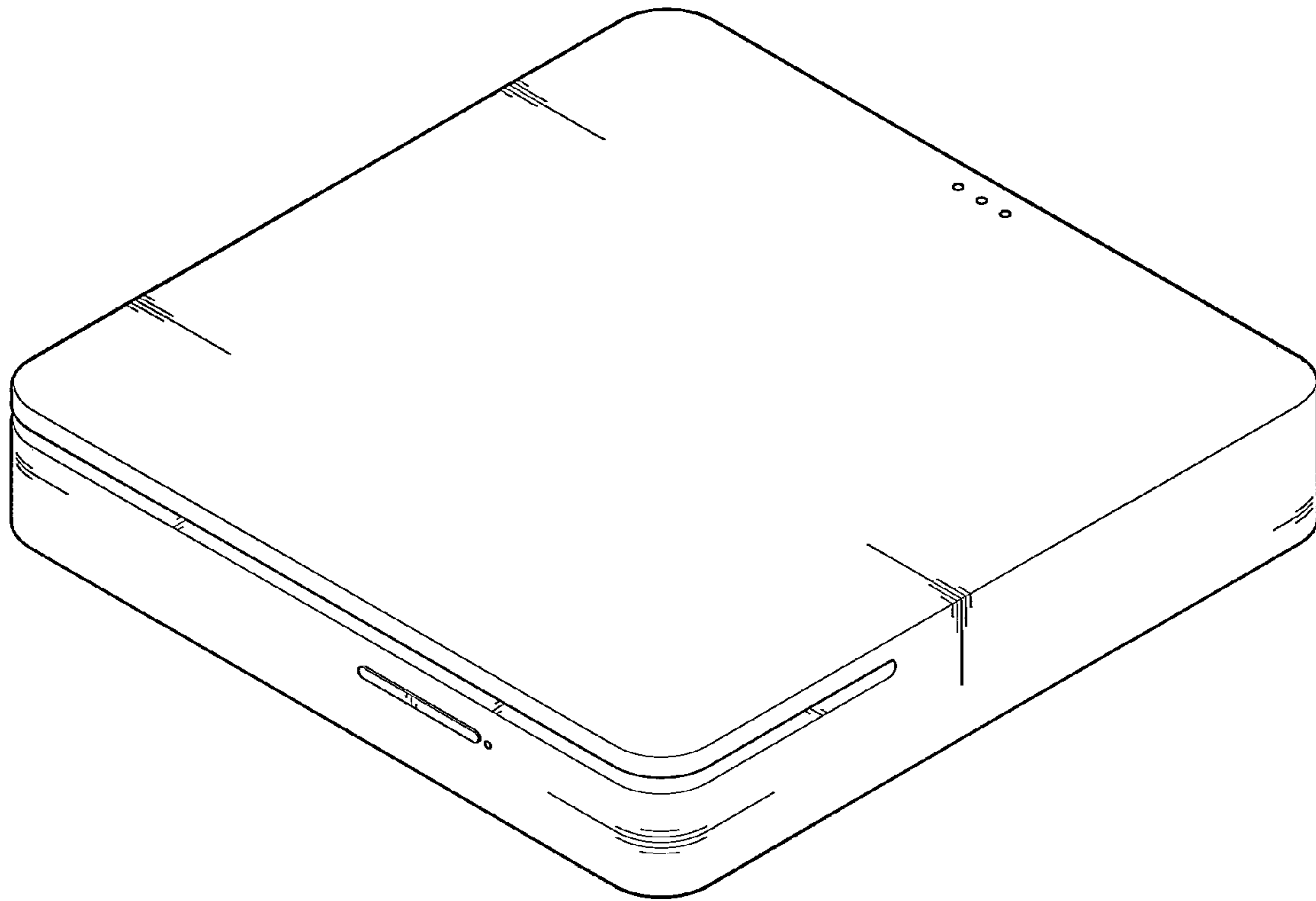


FIG. 2

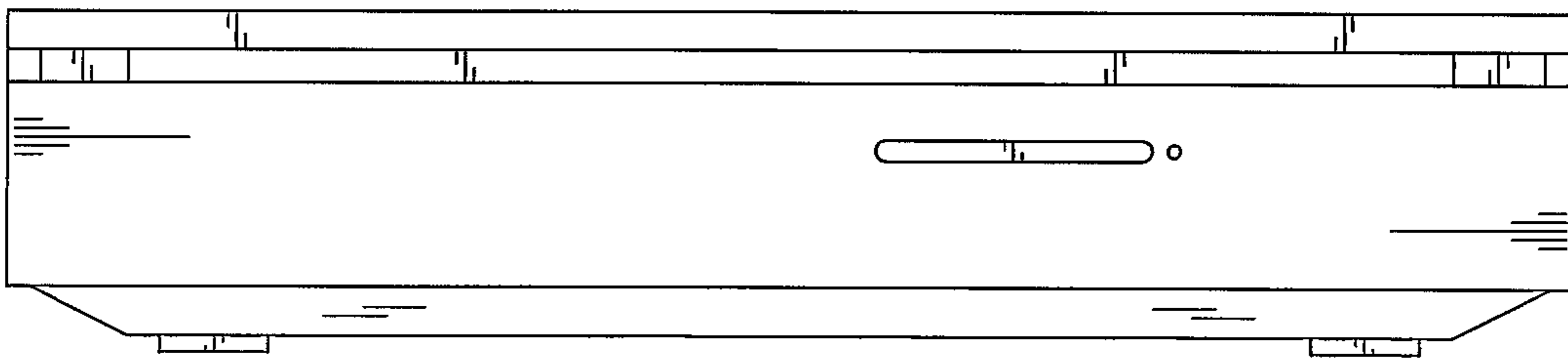


FIG. 3

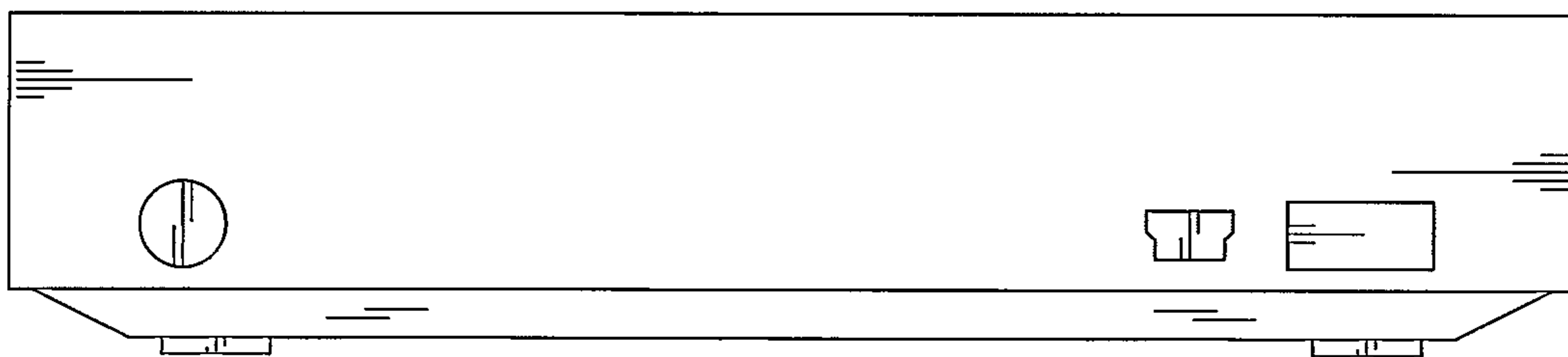


FIG. 4

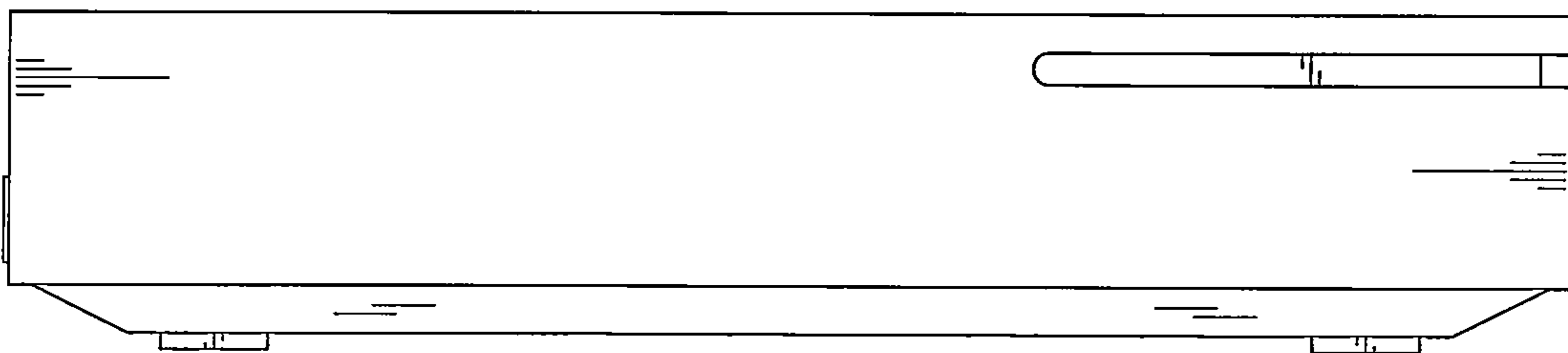


FIG. 5

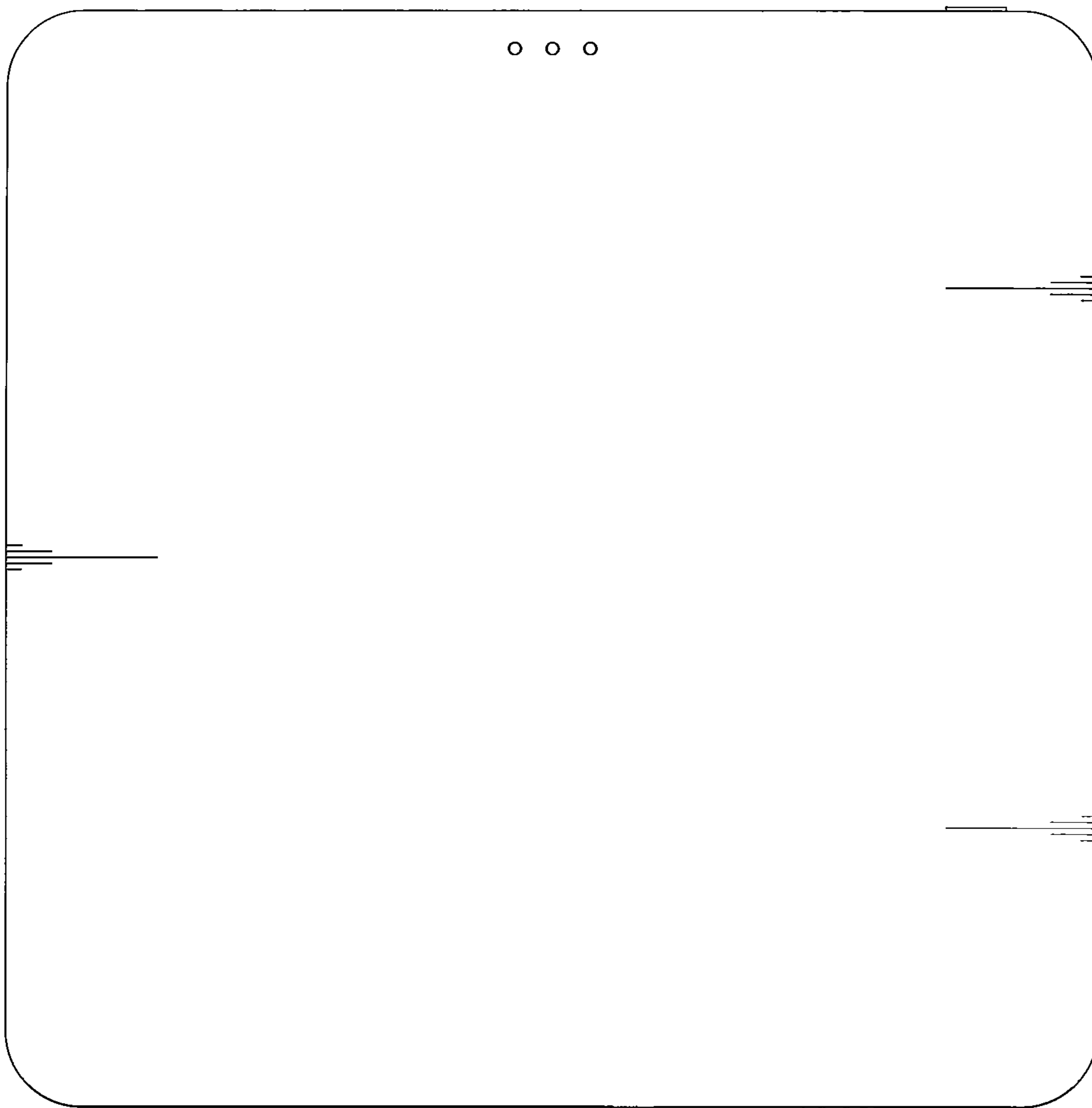


FIG. 6

