



US00D689858S

(12) **United States Design Patent**
Lo et al.

(10) **Patent No.:** **US D689,858 S**
(45) **Date of Patent:** **** Sep. 17, 2013**

(54) **CONVERTER**

(71) Applicant: **Lintes Technology Co., Ltd.**, New Taipei (TW)

(72) Inventors: **Wei Zen Lo**, New Taipei (TW); **Shih Chi Kuan**, New Taipei (TW)

(73) Assignee: **Lintes Technology Co., Ltd.**, New Taipei (TW)

(**) Term: **14 Years**

(21) Appl. No.: **29/438,744**

(22) Filed: **Dec. 3, 2012**

(51) **LOC (9) Cl.** **14-02**

(52) **U.S. Cl.**
USPC **D14/357**

(58) **Field of Classification Search**
USPC D14/300–302, 314, 348–370, 383–385,
D14/432–435, 496, 125, 135, 155, 240–242,
D14/299; D3/273; D9/432; D10/65, 75,
D10/78; D13/103, 119, 162, 184, 199;
361/679.31–679.45; 312/223.2
See application file for complete search history.

(56) **References Cited**

U.S. PATENT DOCUMENTS

4,323,807 A * 4/1982 Sugiura 312/223.2
D289,286 S * 4/1987 Aldrich et al. D14/240

D289,287 S * 4/1987 Aldrich et al. D14/240
D299,139 S * 12/1988 Toft et al. D14/357
D301,869 S * 6/1989 Schwartz D13/162
D370,458 S * 6/1996 Fladung et al. D13/139.8
D441,374 S * 5/2001 Genatossio D14/496
D569,371 S * 5/2008 Staros et al. D14/217
D595,735 S * 7/2009 Green D14/496
D599,339 S * 9/2009 Yau D14/300
D604,737 S * 11/2009 Symons D14/434
D610,133 S * 2/2010 Asano D14/240
D683,765 S * 6/2013 Ahn et al. D14/496

* cited by examiner

Primary Examiner — Karen E Kearney

(74) *Attorney, Agent, or Firm* — Morris Manning & Martin LLP; Tim Tingkang Xia, Esq.

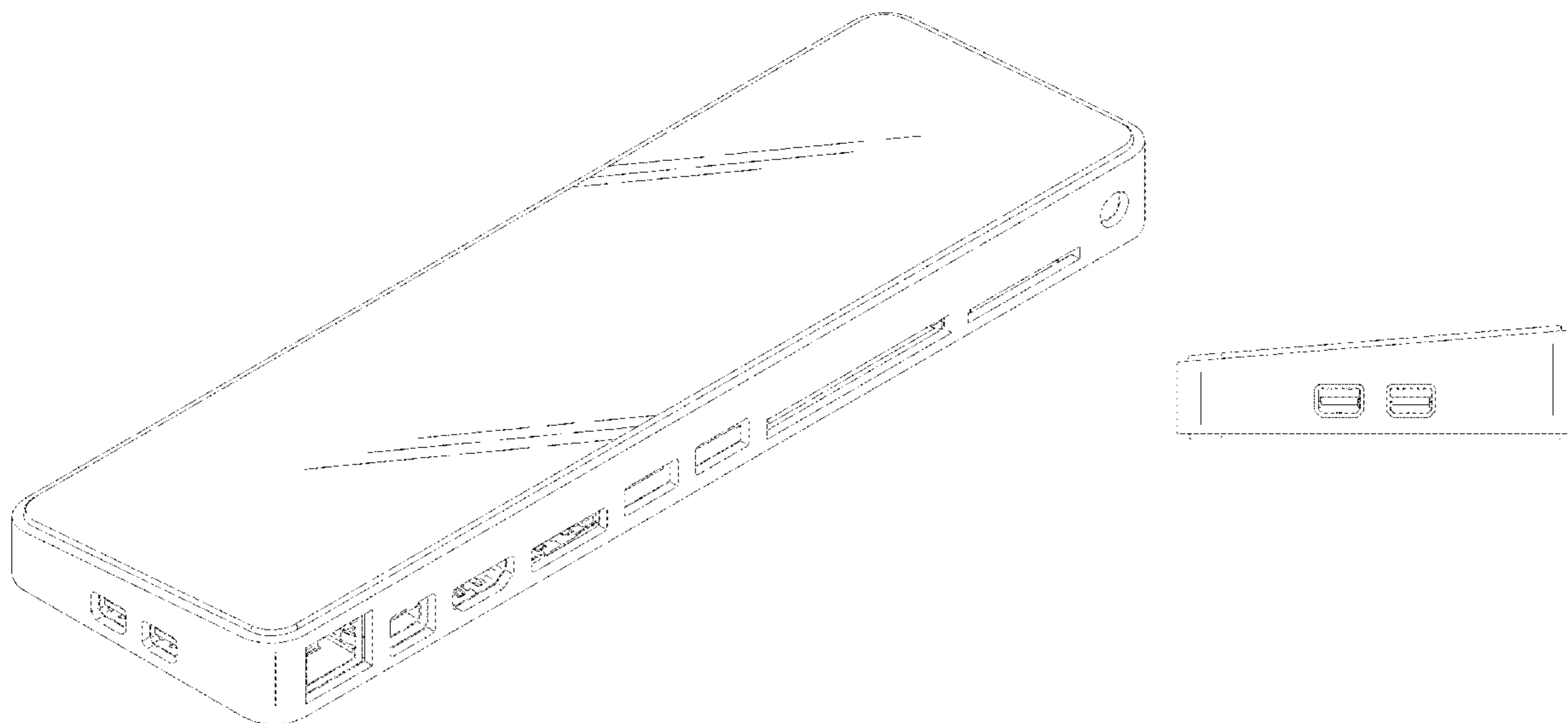
(57) **CLAIM**

The ornamental design for a converter, as shown and described.

DESCRIPTION

FIG. 1 is a perspective view of a converter showing our new design;
FIG. 2 is a front view thereof;
FIG. 3 is a left side elevational view thereof;
FIG. 4 is a right side elevational view thereof;
FIG. 5 is a top view thereof;
FIG. 6 is a back view thereof; and,
FIG. 7 is a bottom view thereof.

1 Claim, 7 Drawing Sheets



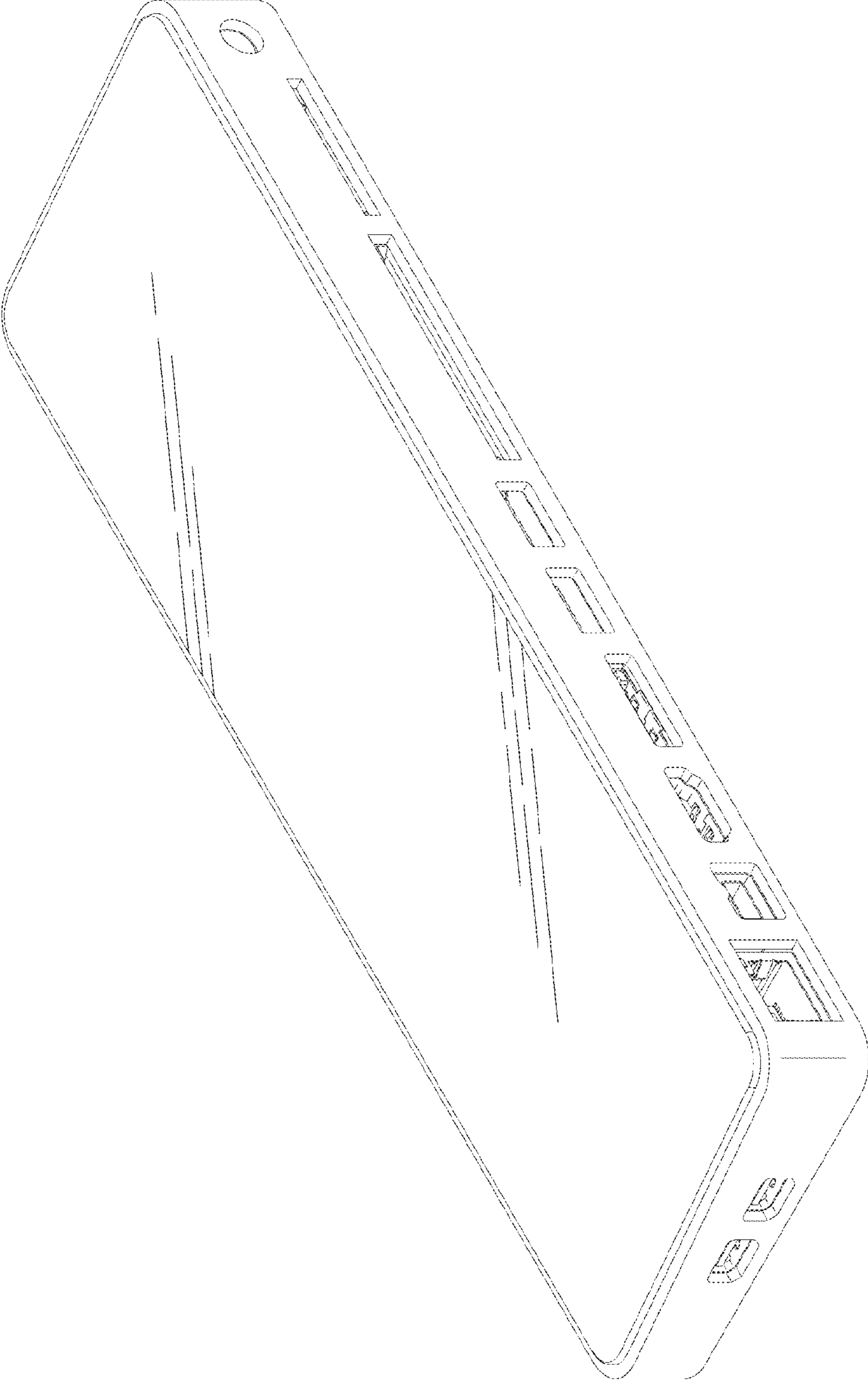


FIG. 1

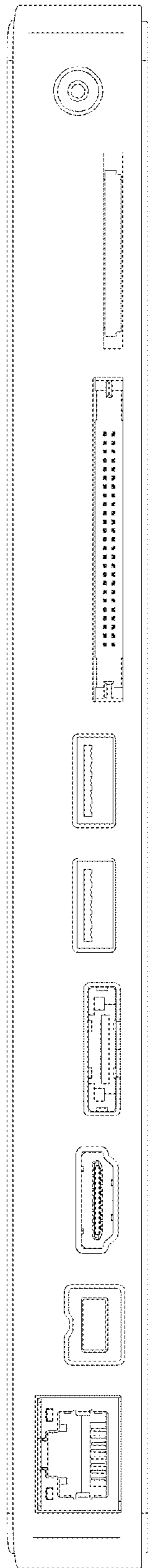


FIG. 2

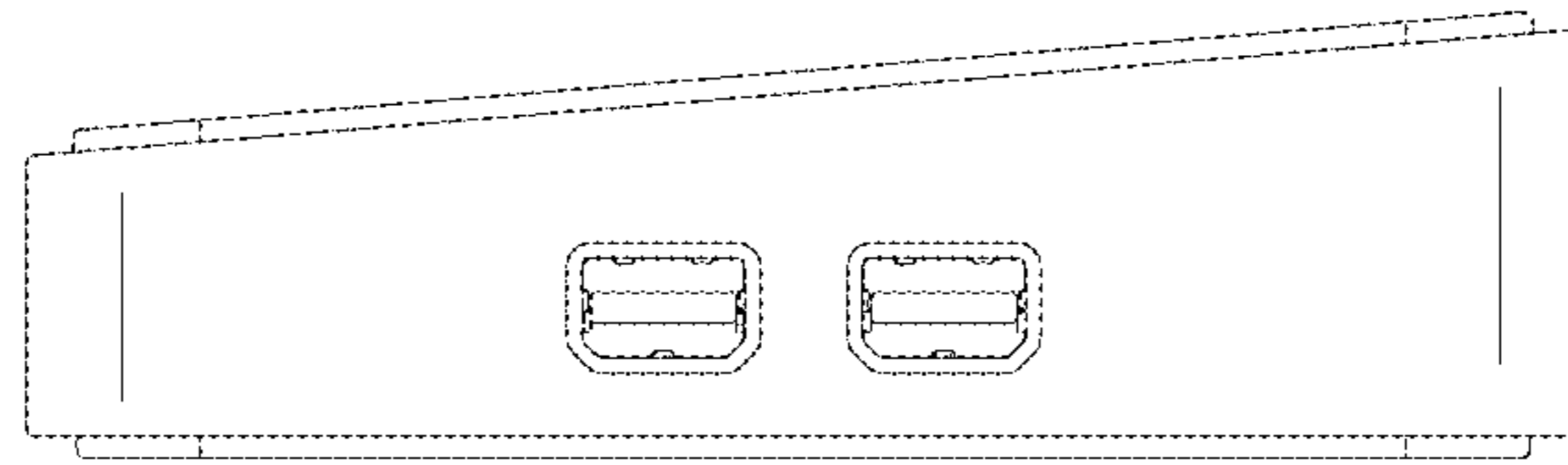


FIG. 3

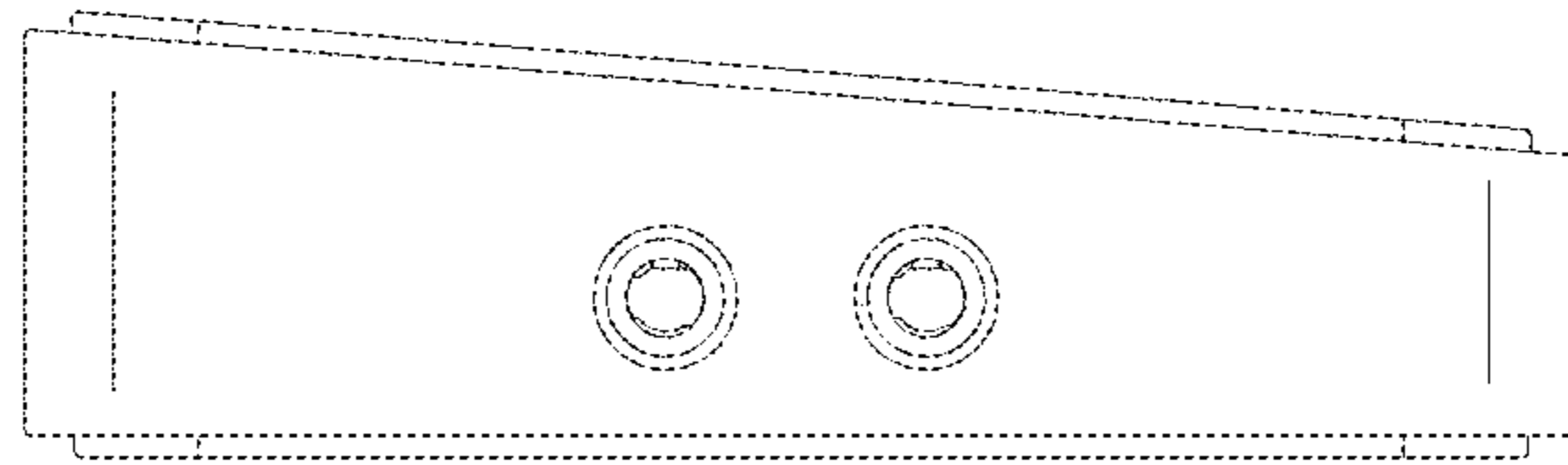


FIG. 4

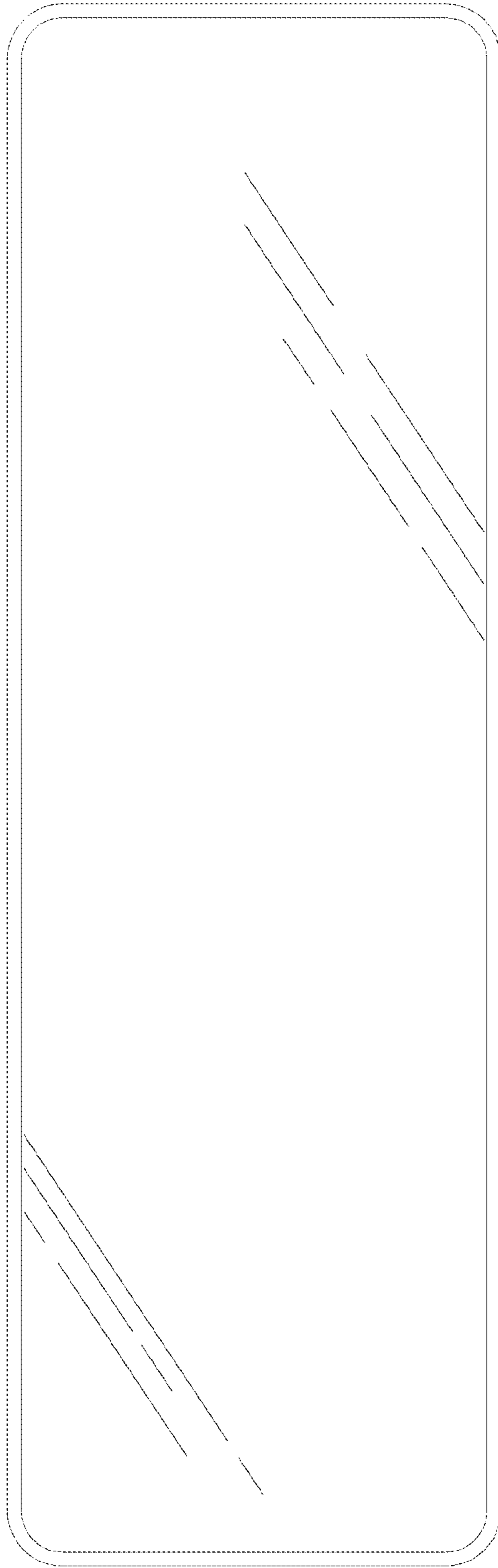


FIG. 5

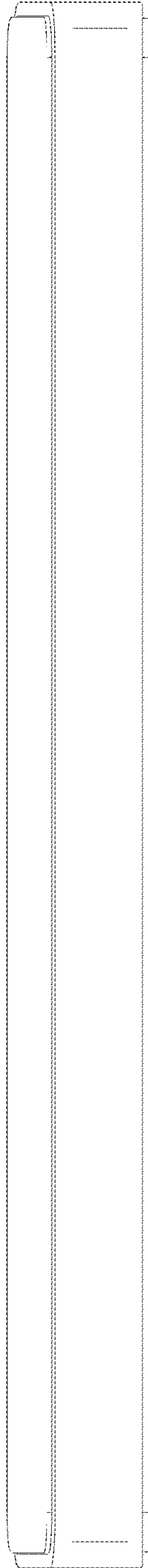


FIG. 6

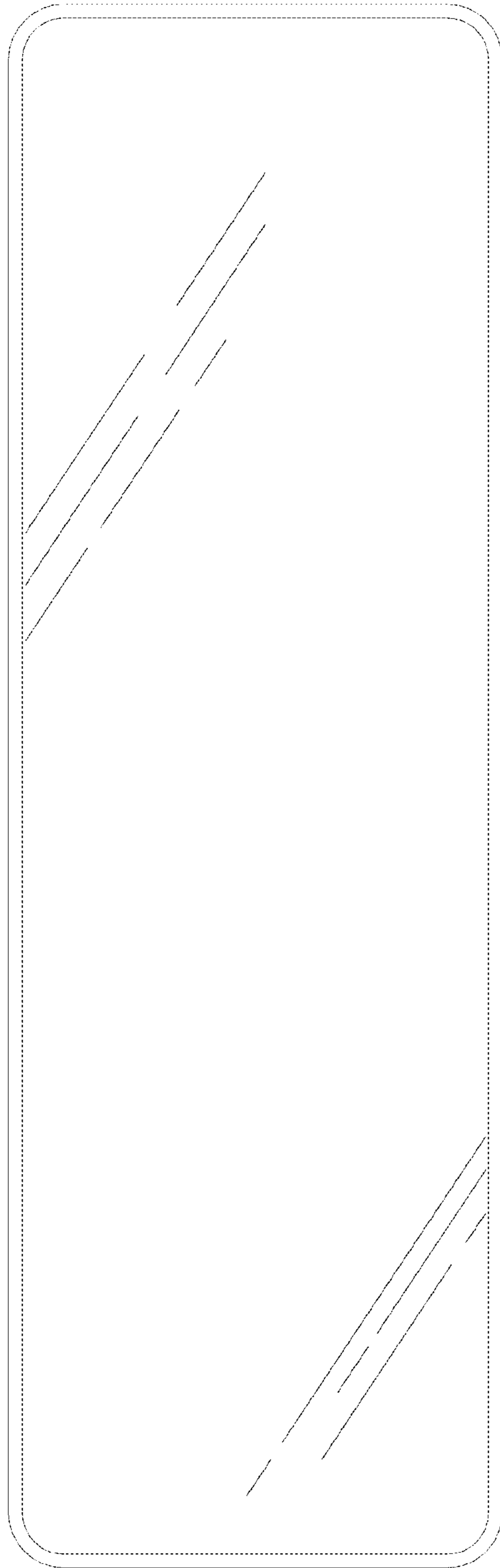


FIG. 7