



US00D689857S

(12) **United States Design Patent**
Amit et al.

(10) **Patent No.:** **US D689,857 S**

(45) **Date of Patent:** **** Sep. 17, 2013**

(54) **HARD DISK DRIVE**

(75) Inventors: **Gadi Amit**, San Francisco, CA (US);
Yoshikazu Hoshino, San Francisco, CA
(US); **Kenneth Dennis Jasinski**, San
Francisco, CA (US); **Daniel Joseph**
Clifton, San Francisco, CA (US); **Julien**
Rouillac, San Francisco, CA (US)

(73) Assignee: **Kabushiki Kaisha Toshiba** (JP)

(**) Term: **14 Years**

(21) Appl. No.: **29/430,622**

(22) Filed: **Aug. 28, 2012**

(51) **LOC (9) Cl.** **14-02**

(52) **U.S. Cl.**

USPC **D14/349**

(58) **Field of Classification Search**

USPC 263/300, 308, 348–358, 365; D13/162,
D13/184, 199; 312/223.1–223.3, 351.11;
360/99.01–99.12; 369/34.01–36.01;
361/679.6, 679.31–679.33

See application file for complete search history.

(56) **References Cited**

U.S. PATENT DOCUMENTS

D453,019	S *	1/2002	Oba	D14/348
6,366,455	B1 *	4/2002	Diaz et al.	361/679.4
D528,112	S *	9/2006	Park et al.	D14/349
D540,320	S *	4/2007	Noda et al.	D14/349
D542,289	S *	5/2007	Diebel	D14/356
D545,309	S *	6/2007	Noda et al.	D14/349
D585,446	S *	1/2009	Sun et al.	D14/349
D647,523	S *	10/2011	Su	D14/349

FOREIGN PATENT DOCUMENTS

JP	1368188	8/2009
JP	1401907	11/2010

OTHER PUBLICATIONS

Denpa Shinbun (News Paper), Seagate Technology dtd Jul. 23, 2010
(1 page).

Catalog (CG-HDC2U3100), Kabushiki Kaisha Corega, obtained by
the applicant Jan. 20, 2009 (3 pages).

* cited by examiner

Primary Examiner — Freda S Nunn

(74) *Attorney, Agent, or Firm* — Banner & Witcoff, Ltd.

(57) **CLAIM**

The ornamental design for hard disk drive, as shown and
described.

DESCRIPTION

FIG. 1 is a perspective view of a hard disk drive showing our
new design;

FIG. 2 is a front elevational view thereof;

FIG. 3 is a left side elevational view thereof;

FIG. 4 is a right side elevational view thereof;

FIG. 5 is a top plan view thereof;

FIG. 6 is a bottom plan view thereof;

FIG. 7 is a side view thereof taken along line 7-7 in FIG. 2, in
which the internal components are omitted;

FIG. 8 is a top view thereof taken along line 8-8 in FIG. 2, in
which the internal components are omitted;

FIG. 9 is a bottom view thereof taken along line 9-9 in FIG. 2,
in which the internal components are omitted; and,

FIG. 10 is a front perspective view thereof wherein parallel
diagonal lines show transparency.

A rear side view is omitted since the rear side view is the
mirror image of the front side view.

1 Claim, 6 Drawing Sheets

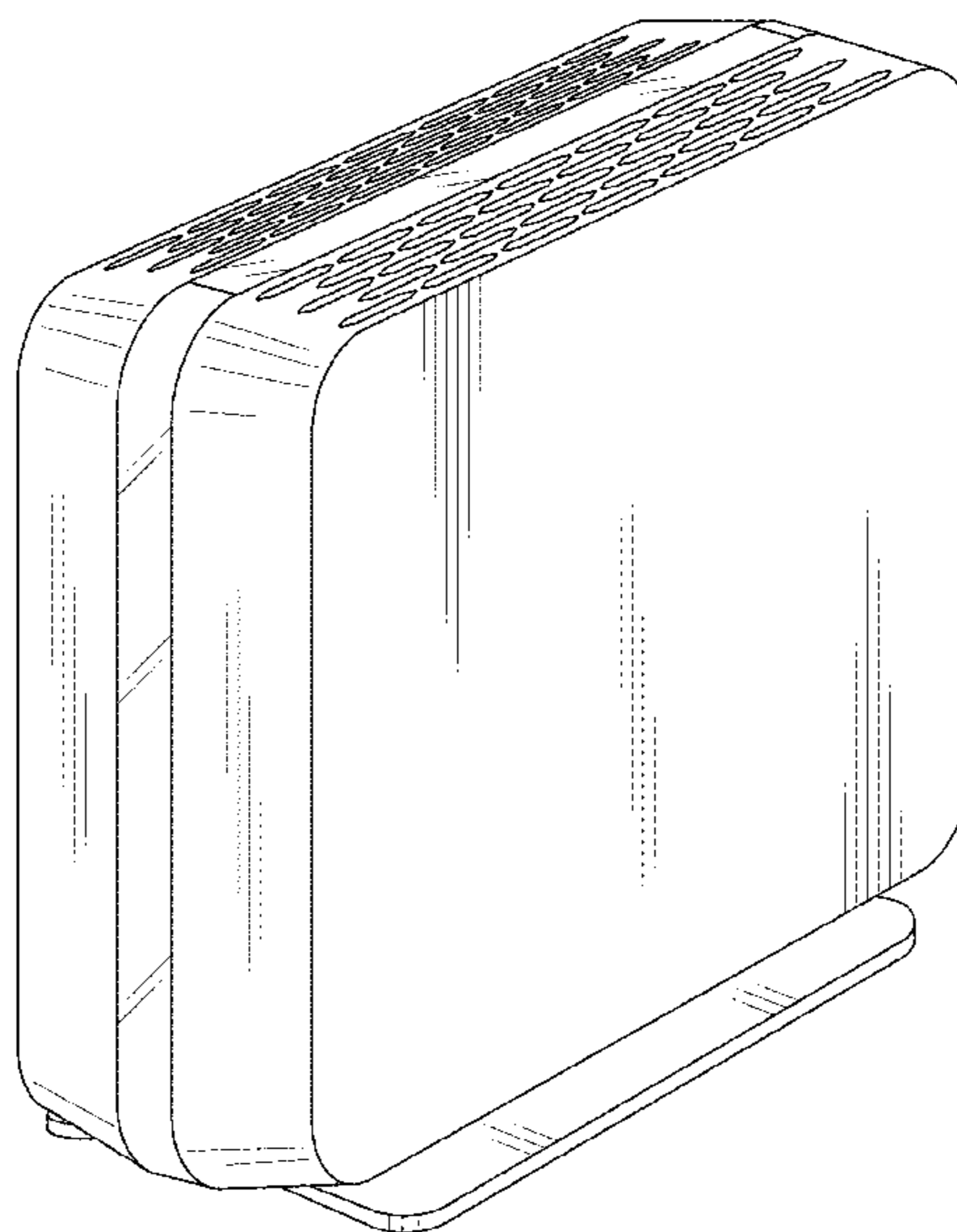


Fig. 1

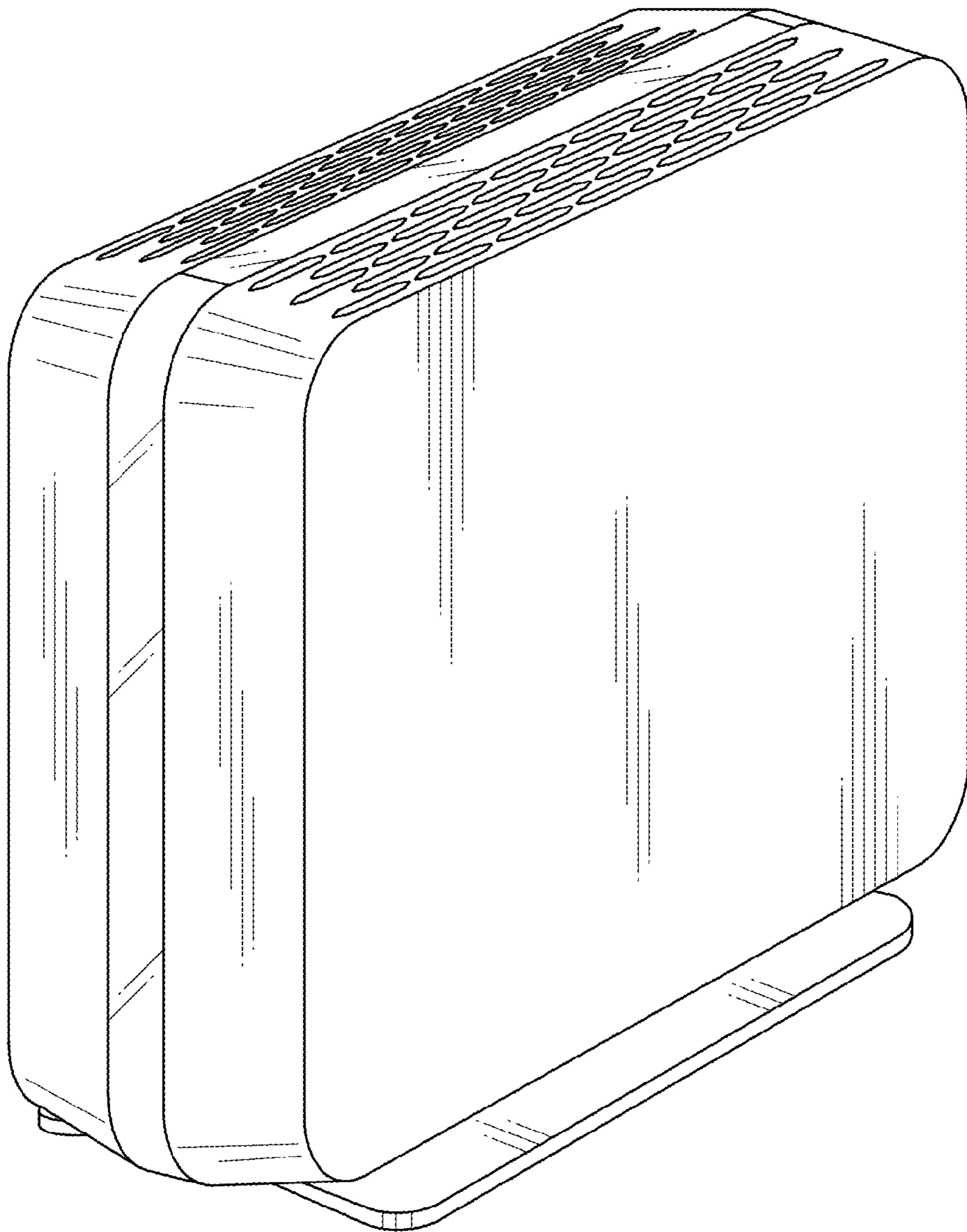


Fig. 2

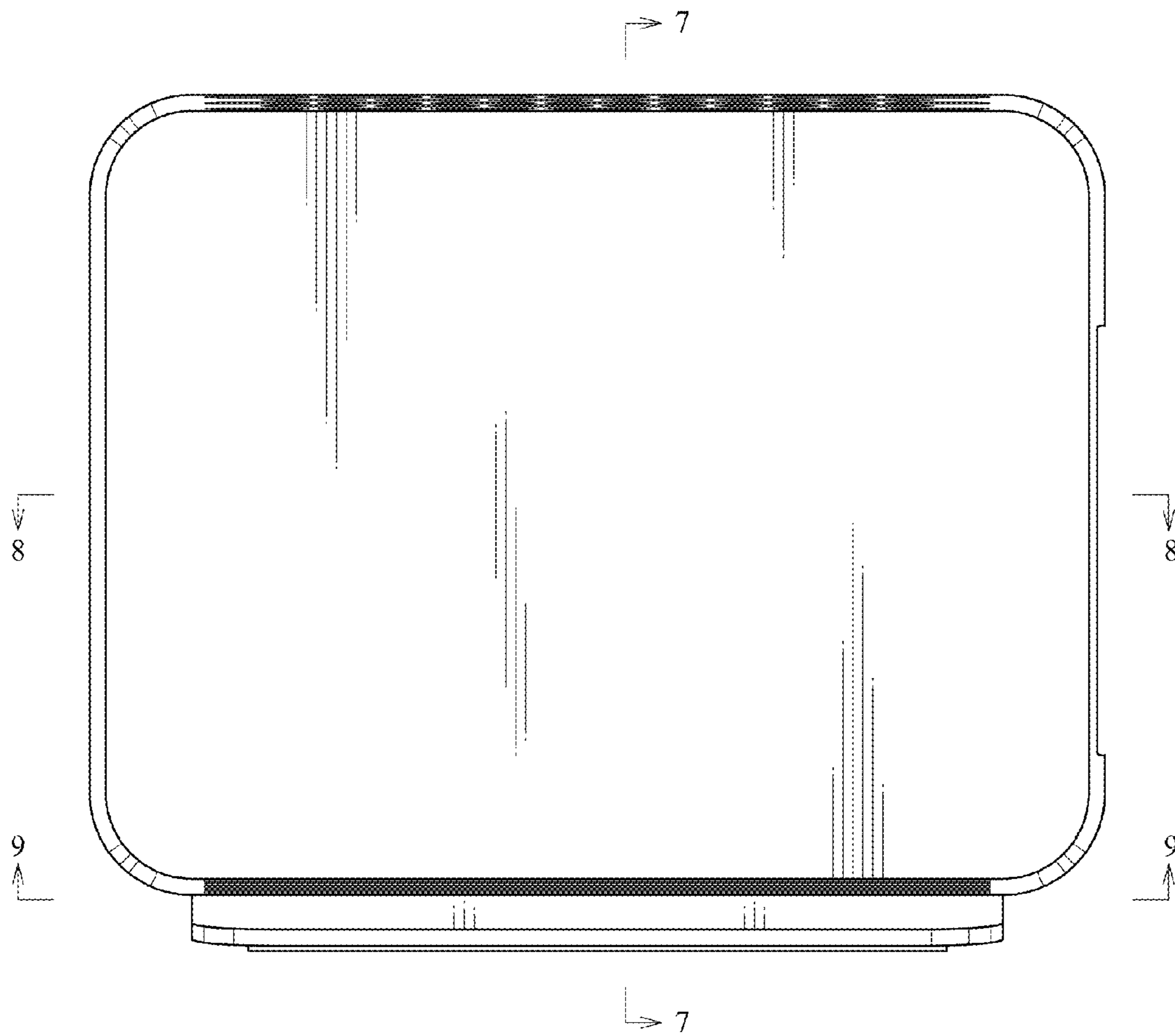


Fig. 3

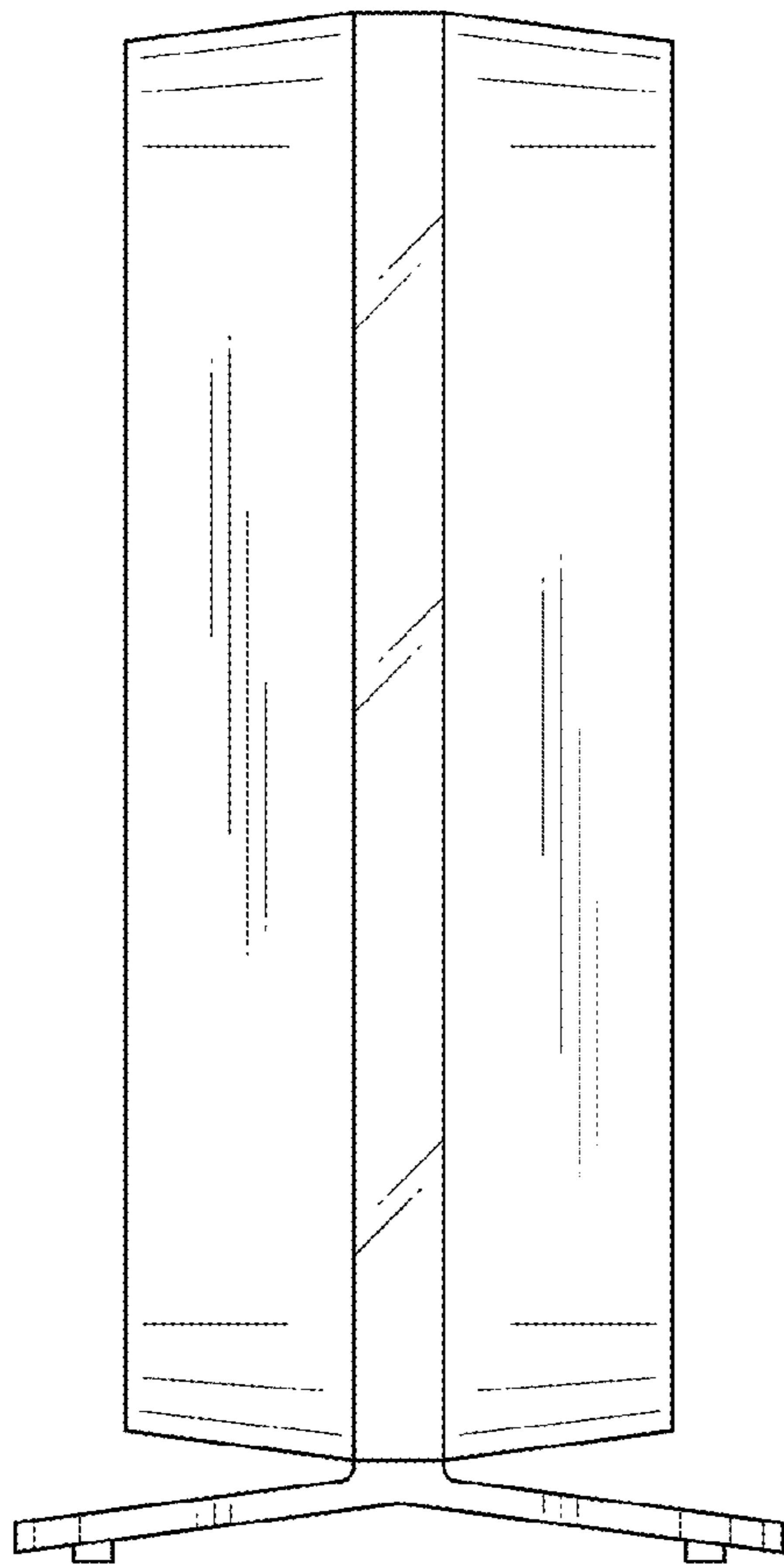


Fig. 4

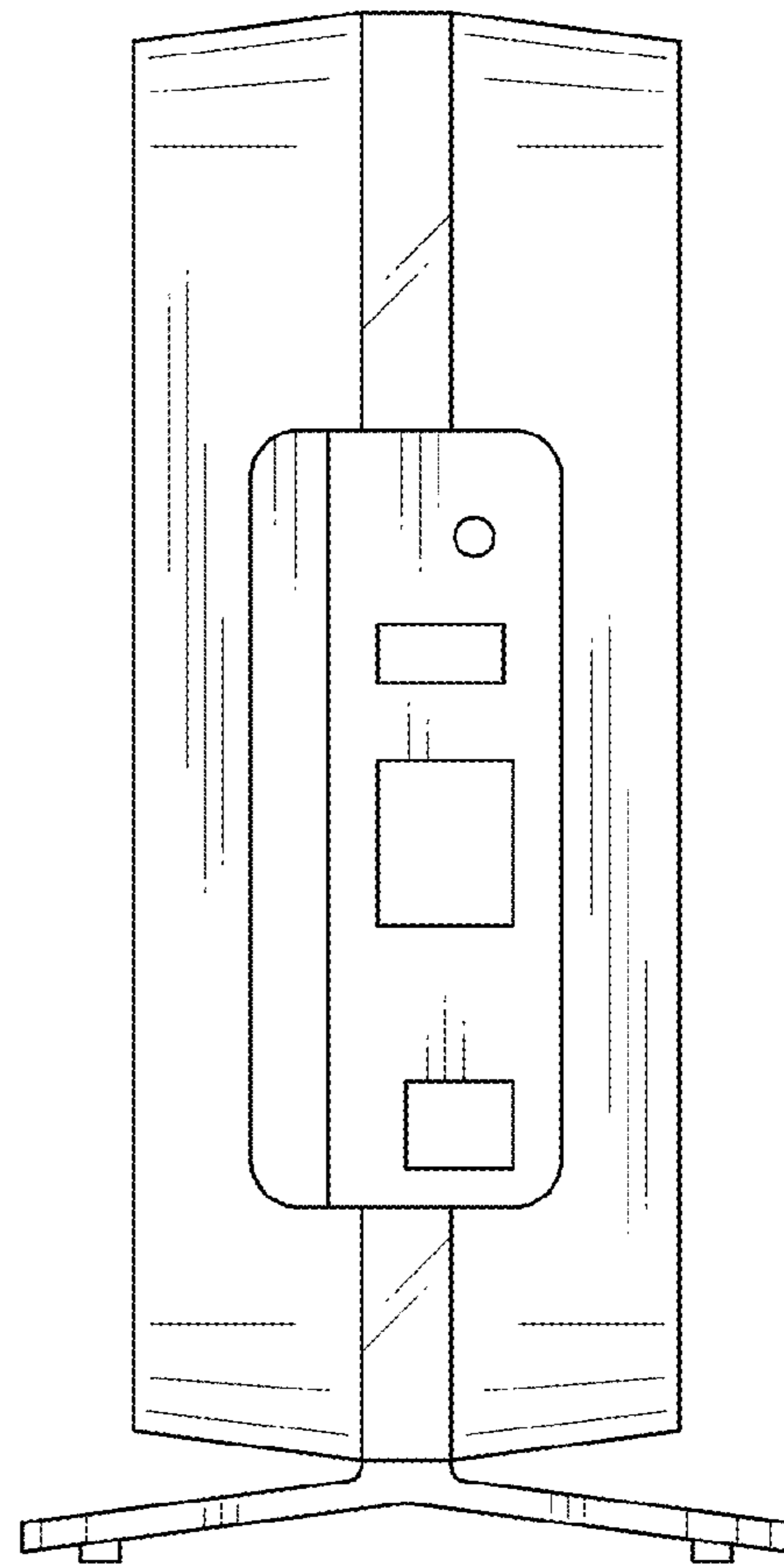


Fig. 5

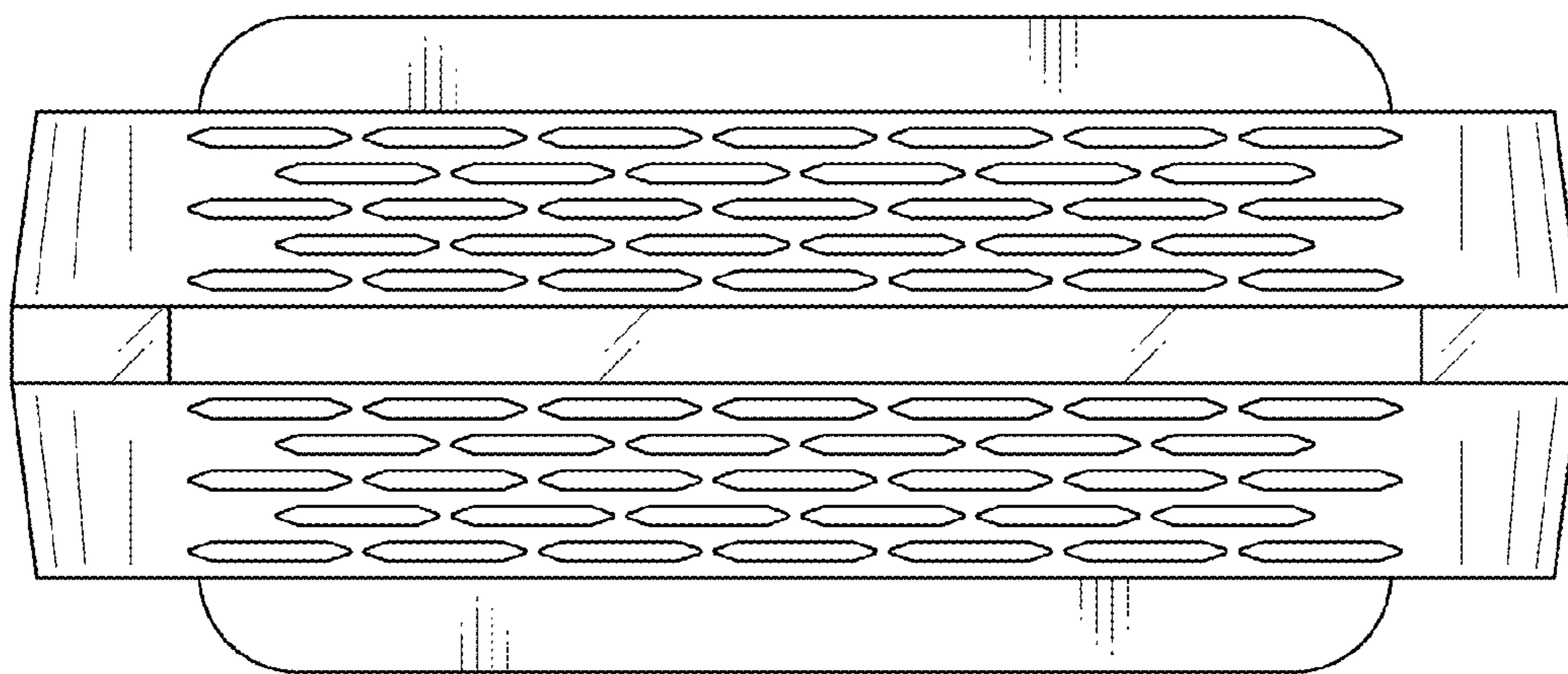


Fig. 6

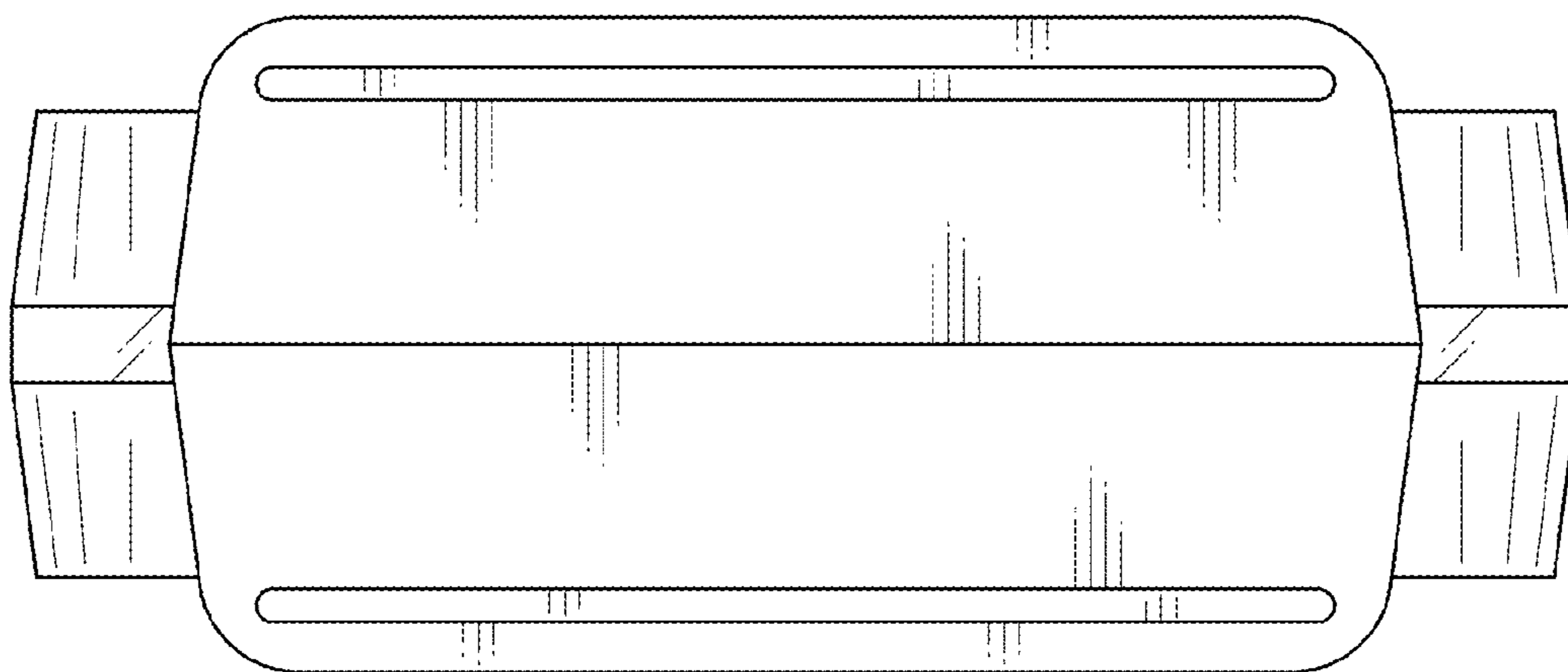


Fig. 7

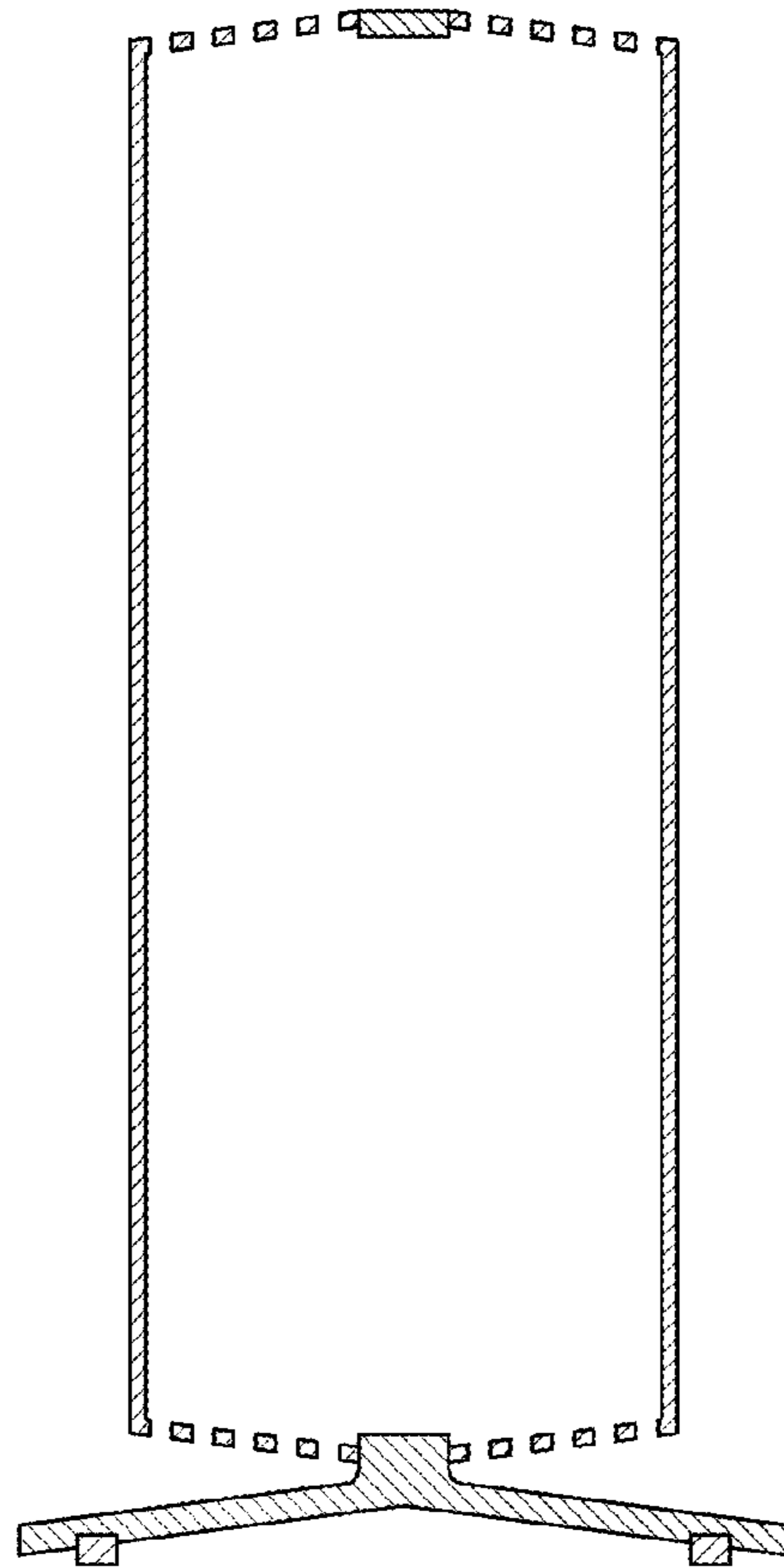


Fig. 8

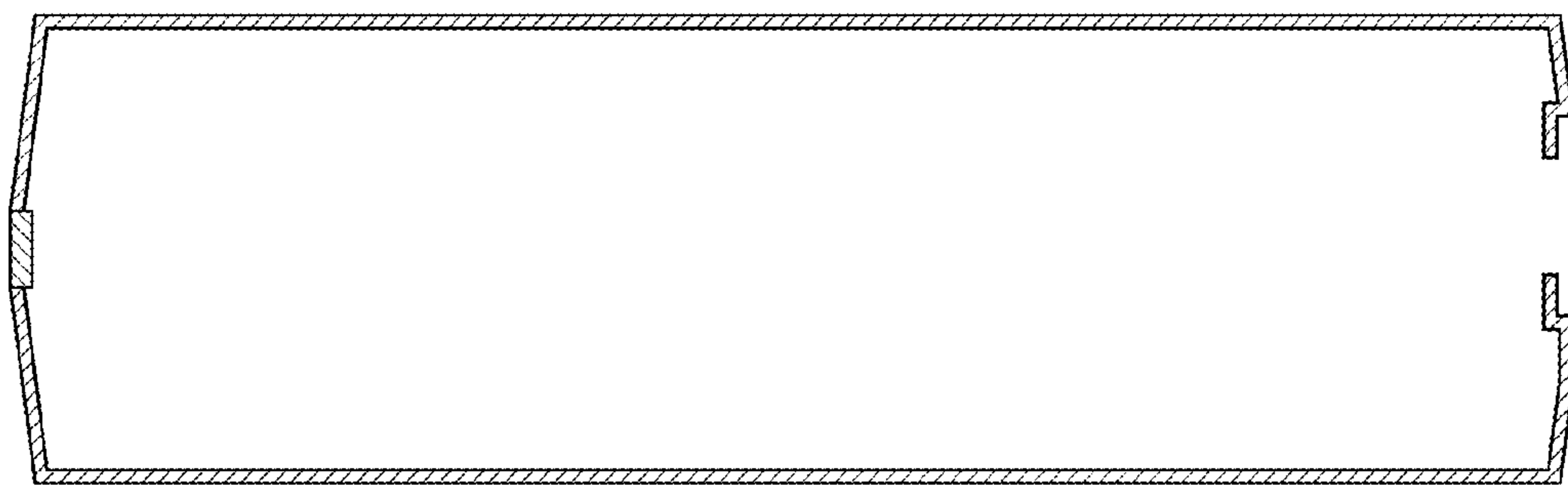


Fig. 9

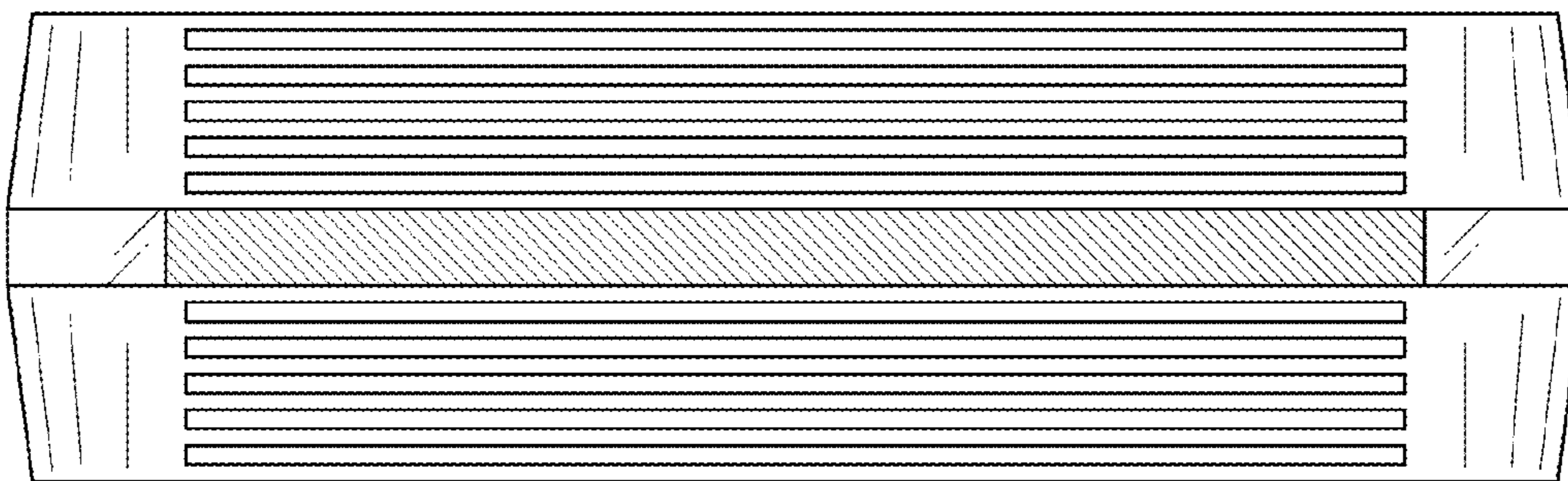


Fig. 10

