



US00D689855S

(12) **United States Design Patent**
Morton et al.

(10) **Patent No.:** **US D689,855 S**
(45) **Date of Patent:** **** Sep. 17, 2013**

(54) **INFORMATION HANDLING SYSTEM HOUSING**

(75) Inventors: **Michael Morton**, Austin, TX (US);
James Hallar, Austin, TX (US); **Joseph E. Jasinski**, Austin, TX (US); **Rajib Adhikary**, Austin, TX (US); **Daniel K. Harden**, Palo Alto, CA (US); **Kenneth Musgrave**, Austin, TX (US)

(73) Assignee: **Dell Products L.P.**, Round Rock, TX (US)

(**) Term: **14 Years**

(21) Appl. No.: **29/432,216**

(22) Filed: **Sep. 14, 2012**

(51) **LOC (9) Cl.** **14-02**

(52) **U.S. Cl.**
USPC **D14/300**

(58) **Field of Classification Search**
USPC D14/300–302, 308–312, 349–356;
D13/162, 184, 199; 312/223.1–223.3, 351.11;
360/99.01–99.12; 369/34.01–36.01;
361/679.31–679.33

See application file for complete search history.

(56) **References Cited**

U.S. PATENT DOCUMENTS

D323,822	S	*	2/1992	Fujihara et al.	D14/125
D334,737	S	*	4/1993	Landry	D14/350
D528,121	S	*	9/2006	Hu et al.	D14/441
D575,779	S	*	8/2008	Dearborn et al.	D14/349
D604,732	S	*	11/2009	Sun et al.	D14/349

* cited by examiner

Primary Examiner — Freda S Nunn

(74) *Attorney, Agent, or Firm* — Terrile, Cannatti, Chambers & Holland, LLP; Stephen A. Terrile

(57) **CLAIM**

We claim the ornamental design for an information handling system housing, as shown and described.

DESCRIPTION

FIG. 1 is a front perspective view of the information handling system comprising the present invention;

FIG. 2 is a front view thereof;

FIG. 3 is a right side view thereof;

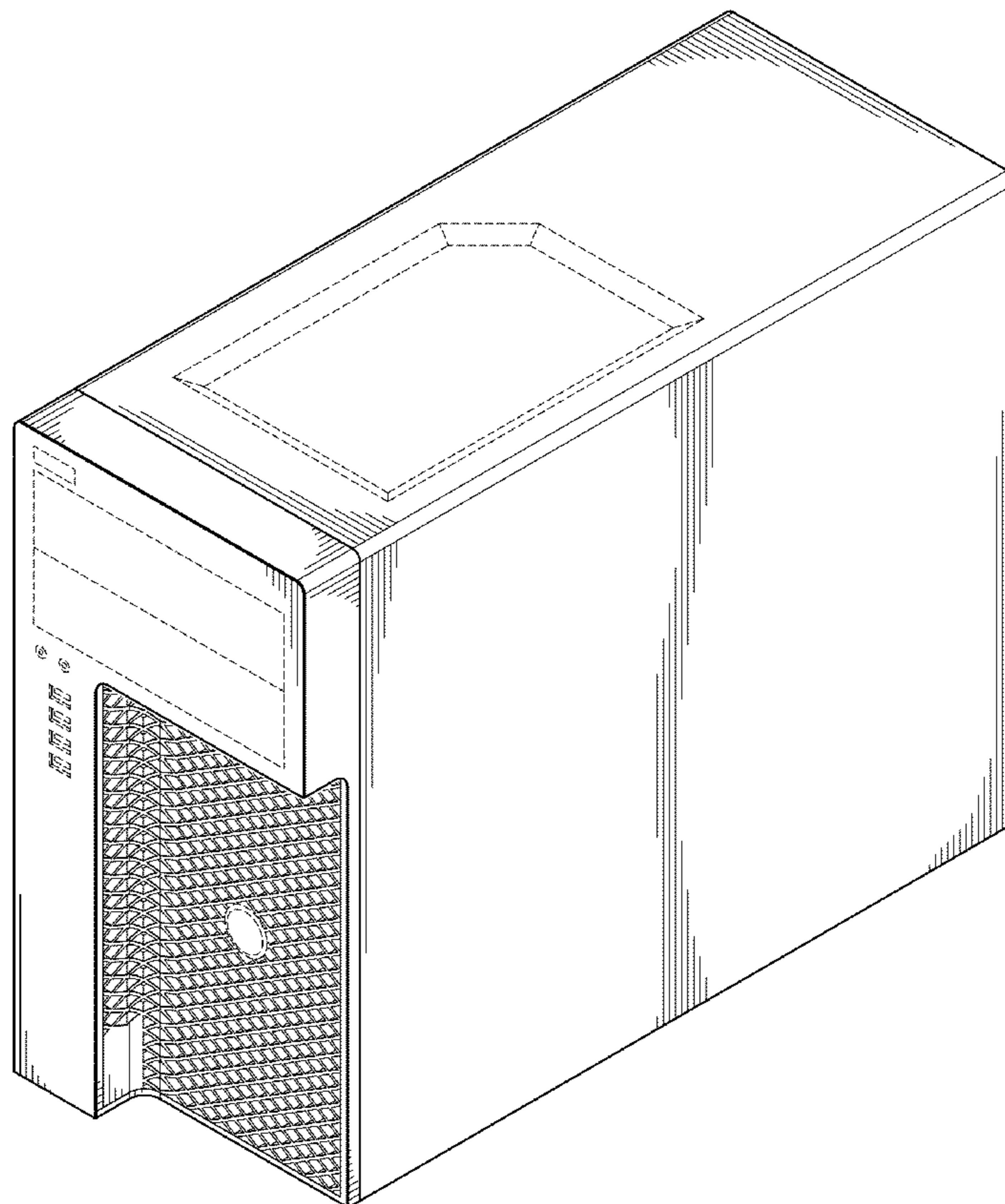
FIG. 4 is a left side view thereof;

FIG. 5 is a back view thereof; and,

FIG. 6 is a top view thereof.

Broken lines shown in the drawings illustrate portions of the information handling system housing, and form no part of the claimed design.

1 Claim, 6 Drawing Sheets



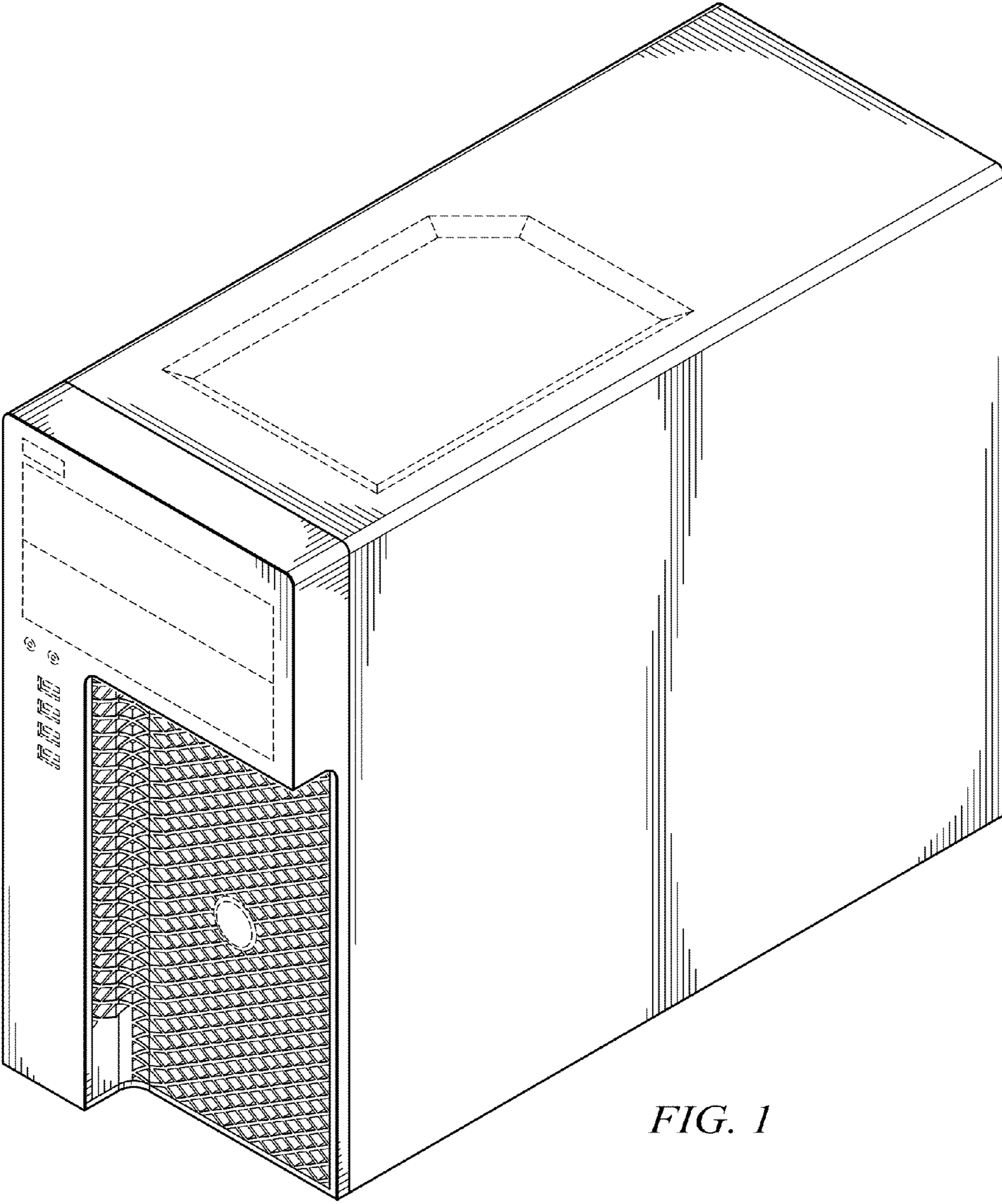


FIG. 1

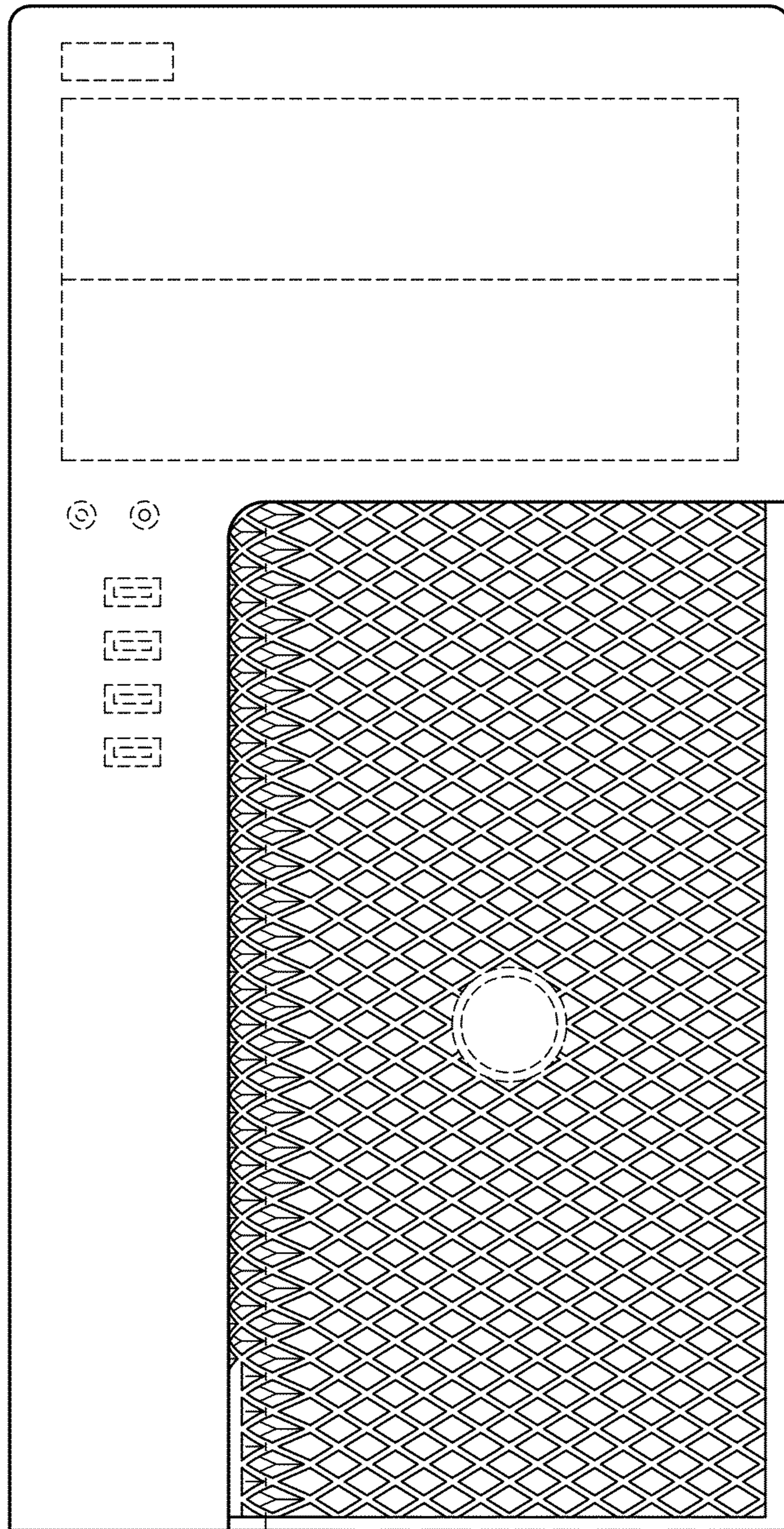


FIG. 2

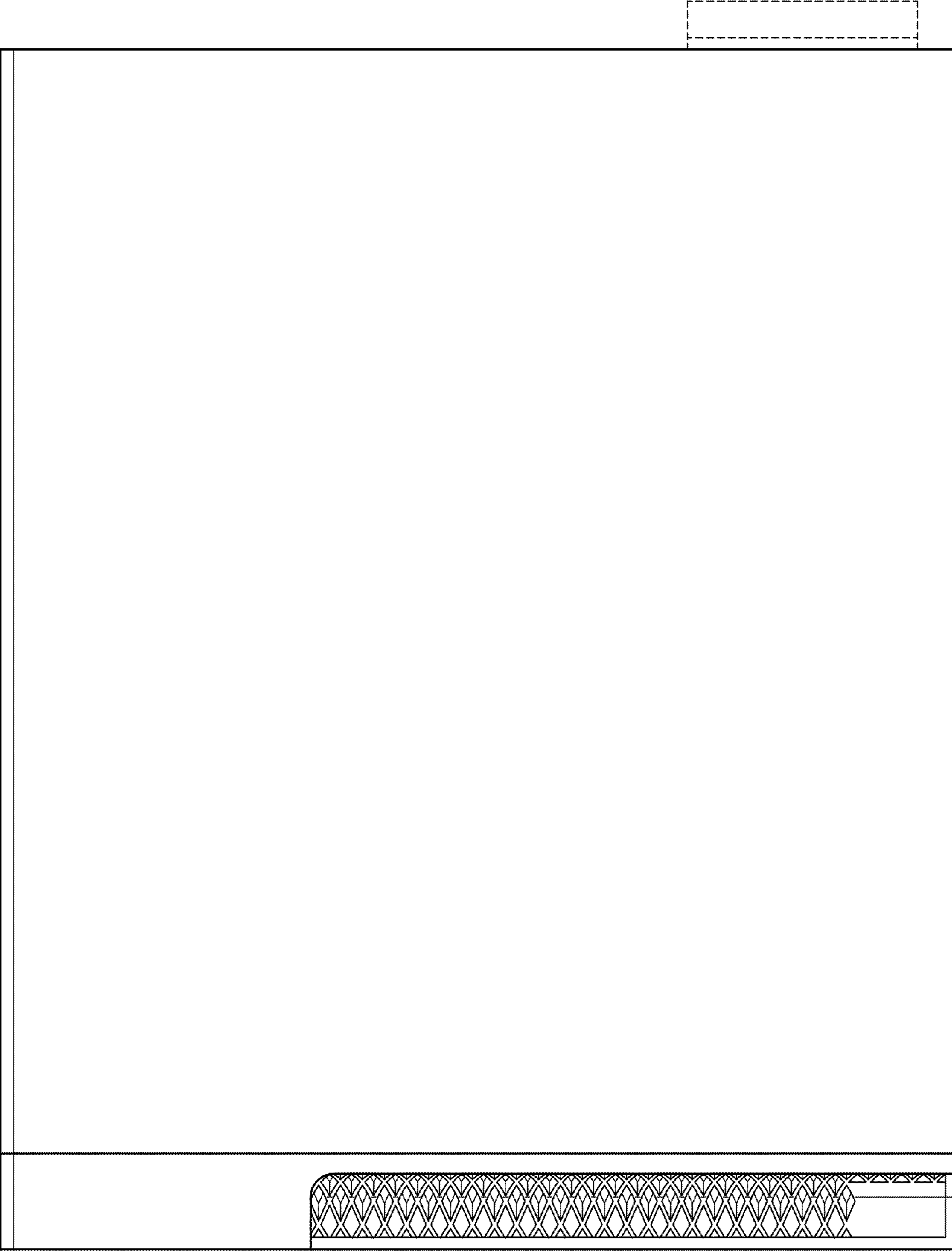


FIG. 3

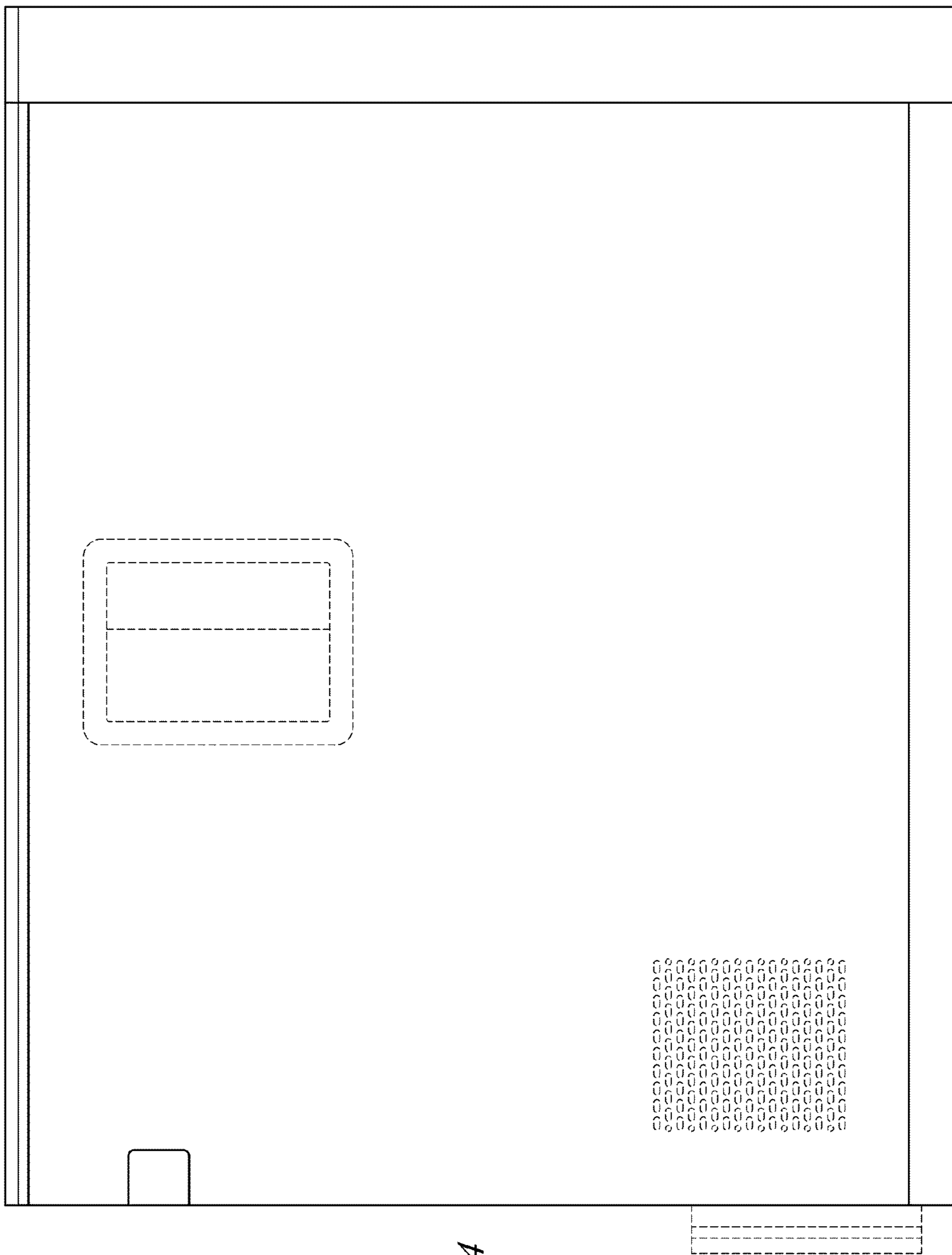


FIG. 4

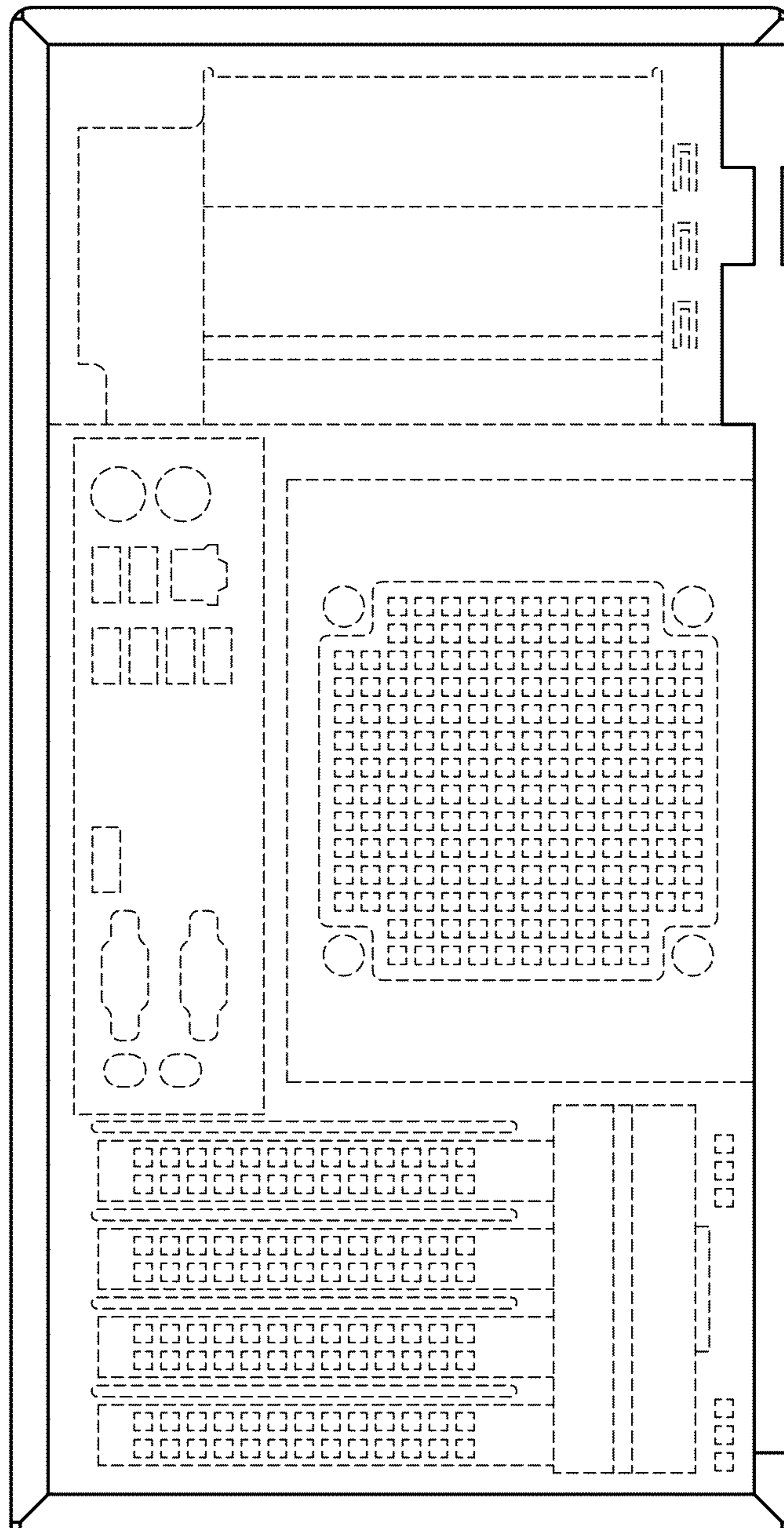


FIG. 5

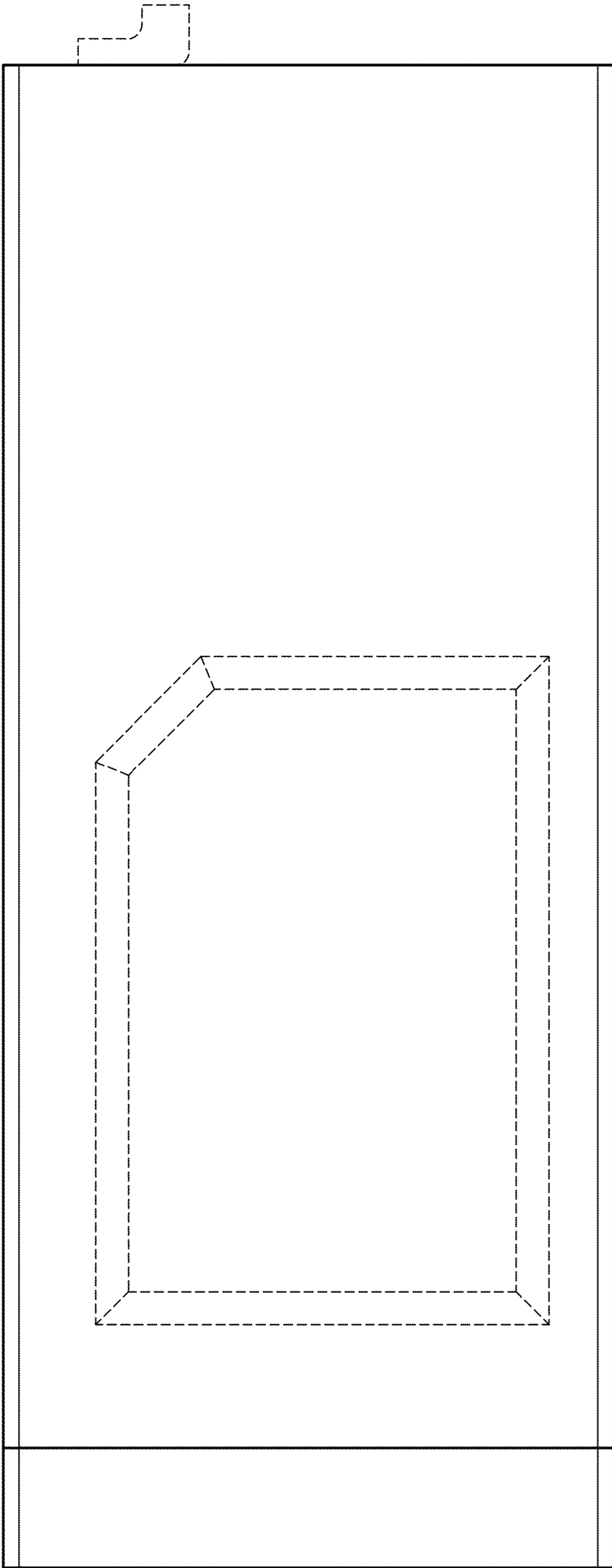


FIG. 6