



US00D689854S

(12) **United States Design Patent**  
**Morton et al.**

(10) **Patent No.:** **US D689,854 S**  
(45) **Date of Patent:** **\*\* Sep. 17, 2013**

(54) **INFORMATION HANDLING SYSTEM HOUSING**

(75) Inventors: **Michael Morton**, Austin, TX (US);  
**James Hallar**, Austin, TX (US); **Joseph E. Jasinski**, Austin, TX (US); **Rajib Adhikary**, Austin, TX (US); **Daniel K. Harden**, Palo Alto, CA (US); **Kenneth Musgrave**, Austin, TX (US)

(73) Assignee: **Dell Products L.P.**, Round Rock, TX (US)

(\*\*) Term: **14 Years**

(21) Appl. No.: **29/432,208**

(22) Filed: **Sep. 14, 2012**

(51) **LOC (9) Cl.** ..... **14-02**

(52) **U.S. Cl.**  
USPC ..... **D14/300**

(58) **Field of Classification Search**  
USPC ..... D14/300-302, 308-312, 349-356;  
D13/162, 184, 199; 312/223.1-223.3, 351.11;  
360/99.01-99.12; 369/34.01-36.01;  
361/679.31-679.33

See application file for complete search history.

(56) **References Cited**

U.S. PATENT DOCUMENTS

D323,822	S	*	2/1992	Fujihara et al.	.....	D14/125
D334,737	S	*	4/1993	Landry	.....	D14/350
D528,121	S	*	9/2006	Hu et al.	.....	D14/441
D575,779	S	*	8/2008	Dearborn et al.	.....	D14/349
D604,732	S	*	11/2009	Sun et al.	.....	D14/349

\* cited by examiner

*Primary Examiner* — Freda S Nunn

(74) *Attorney, Agent, or Firm* — Terrile, Cannatti, Chambers & Holland, LLP; Stephen A. Terrile

(57) **CLAIM**

We claim the ornamental design for an information handling system housing, as shown and described.

**DESCRIPTION**

FIG. 1 is a front perspective view of the information handling system housing comprising the present invention;

FIG. 2 is a front view thereof;

FIG. 3 is a right side view thereof;

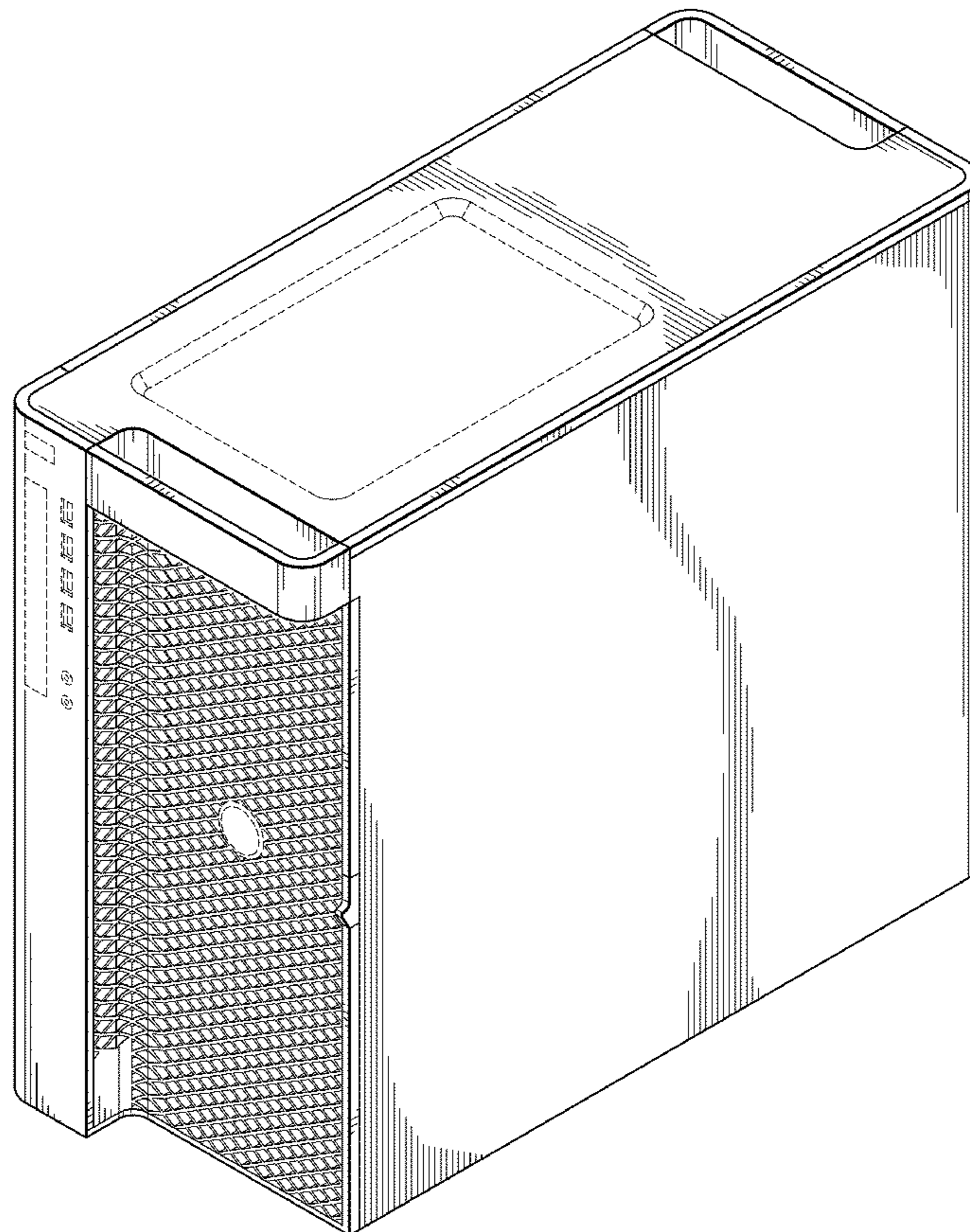
FIG. 4 is a left side view thereof;

FIG. 5 is a back view thereof; and,

FIG. 6 is a top view thereof.

Broken lines shown in the drawings illustrate portions of the information handling system housing, and form no part of the claimed design.

**1 Claim, 6 Drawing Sheets**



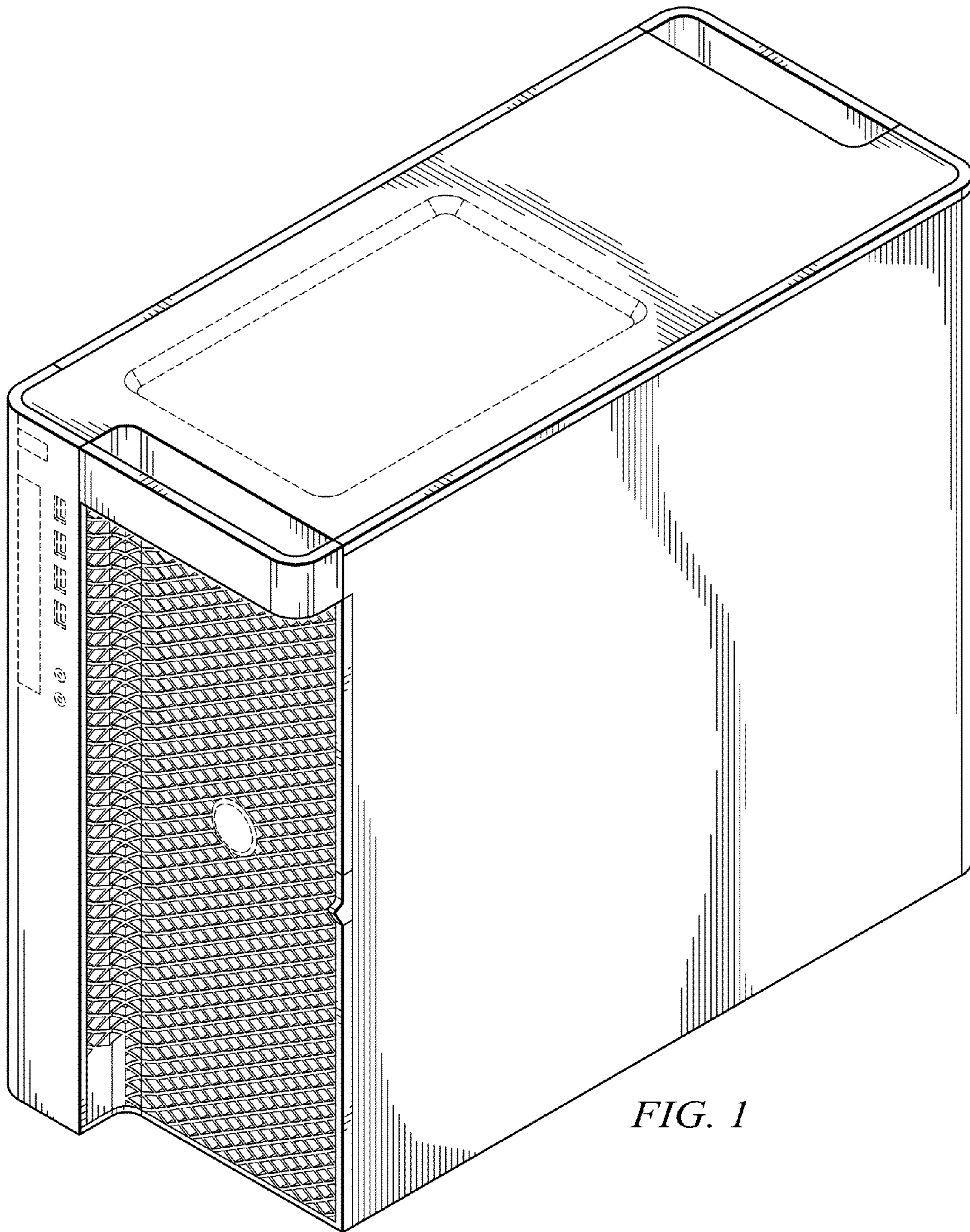


FIG. 1



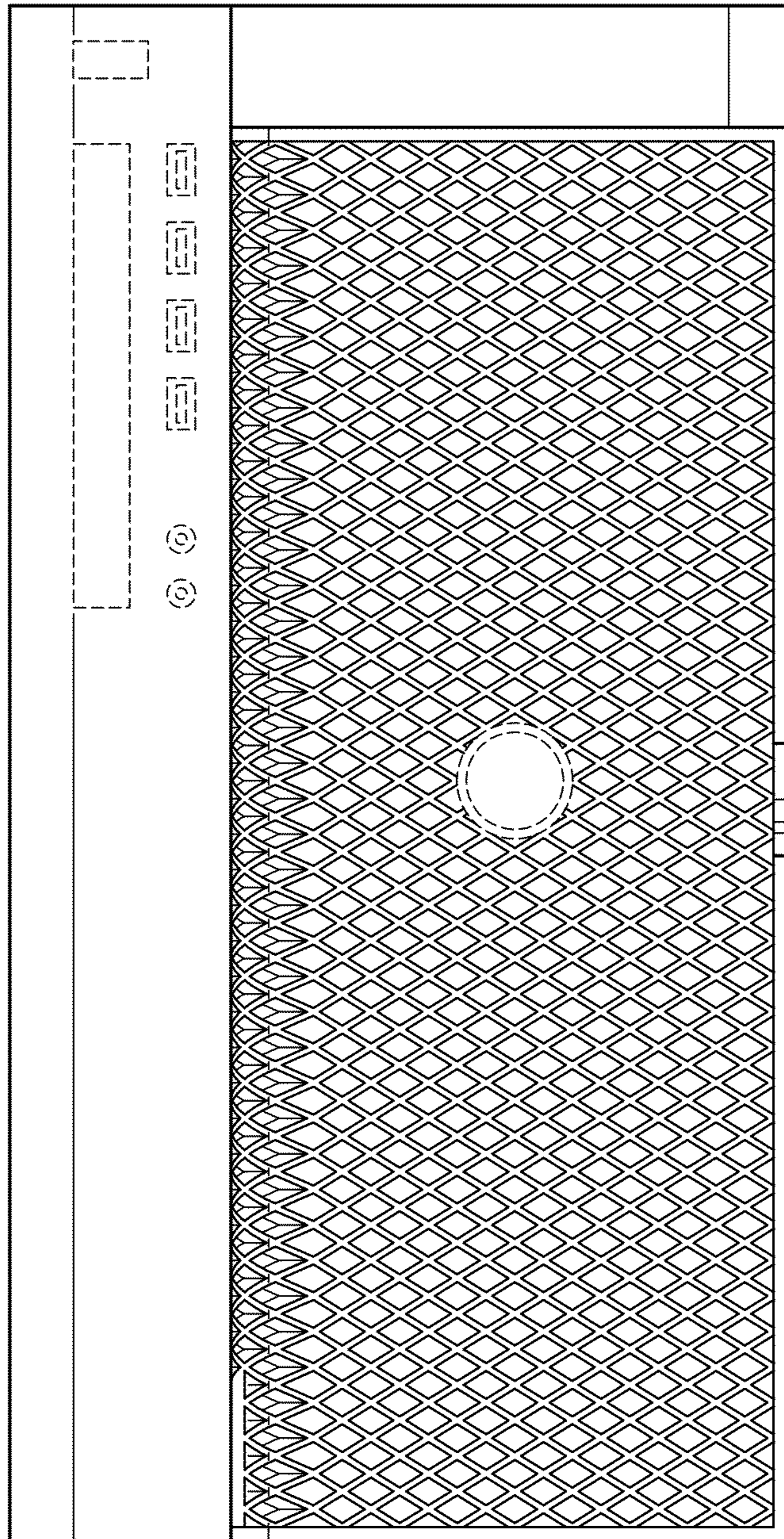


FIG. 2

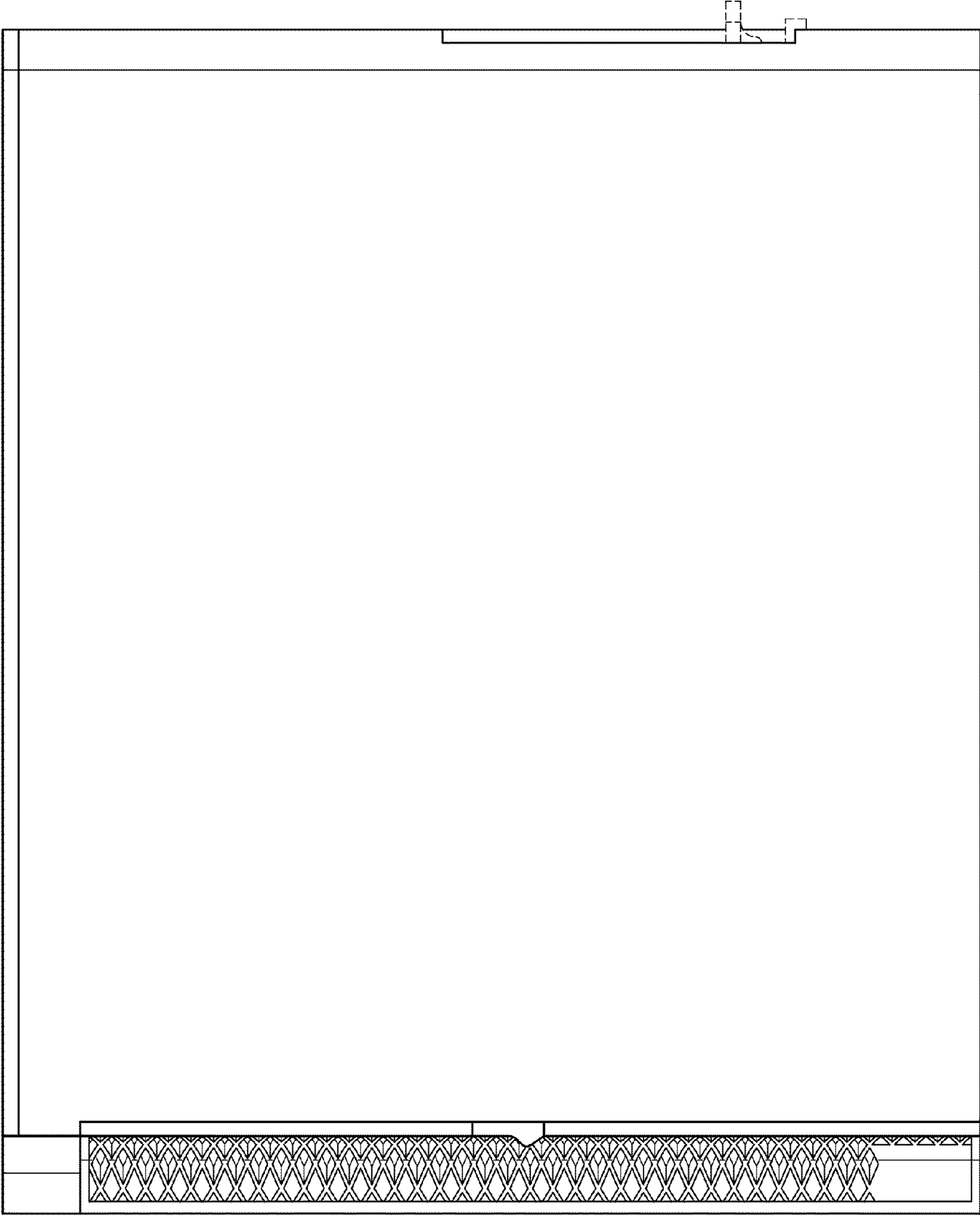


FIG. 3

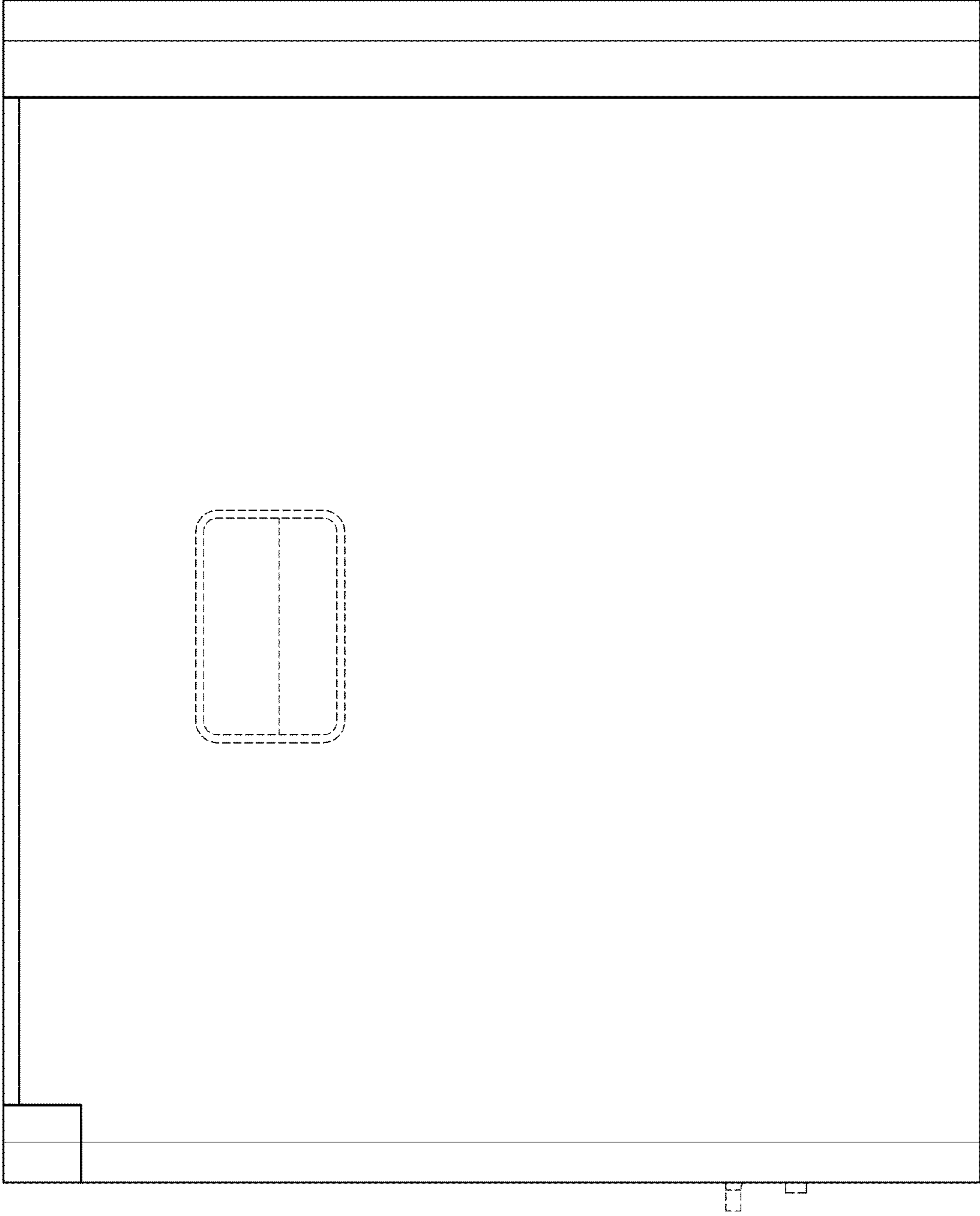


FIG. 4



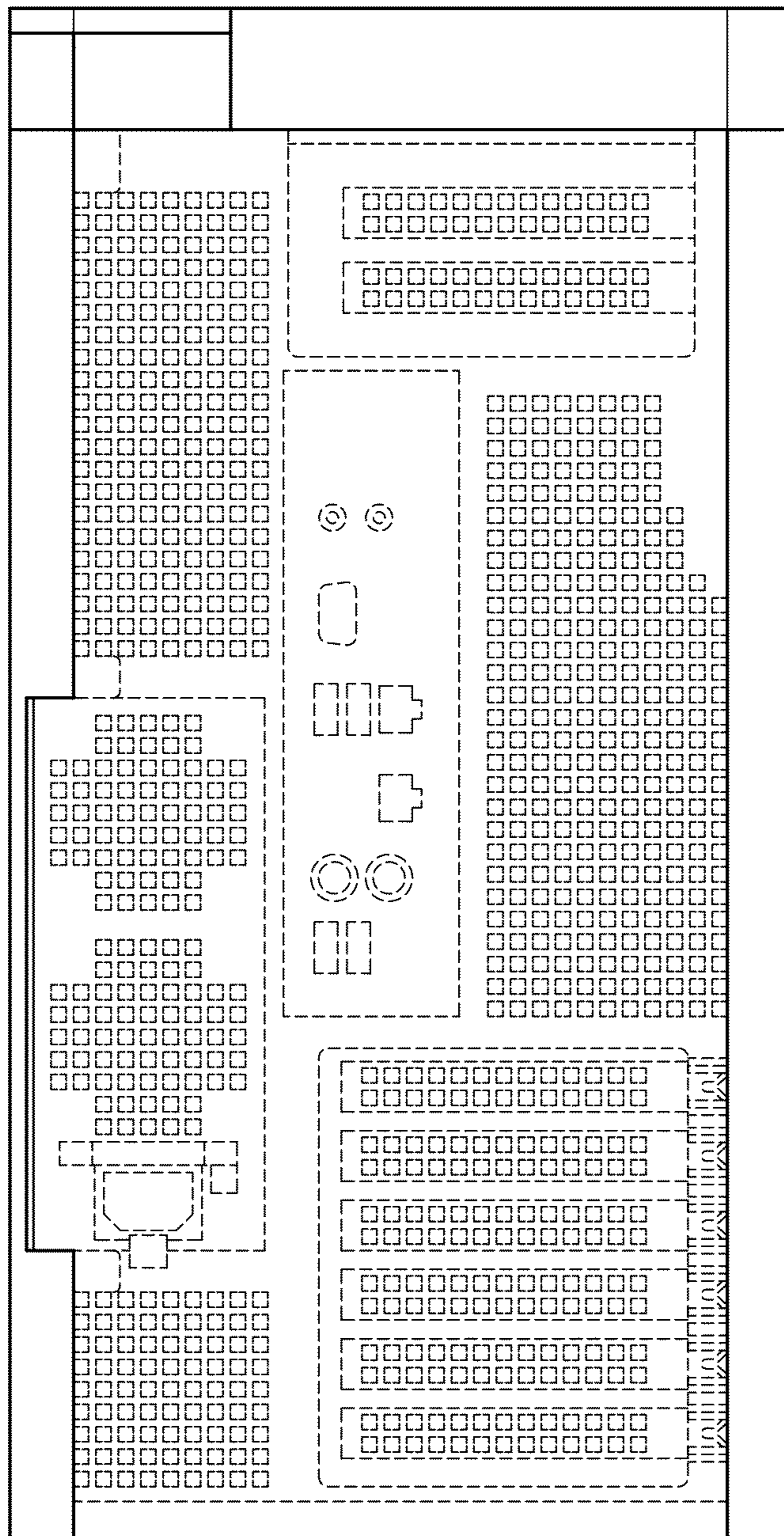


FIG. 5

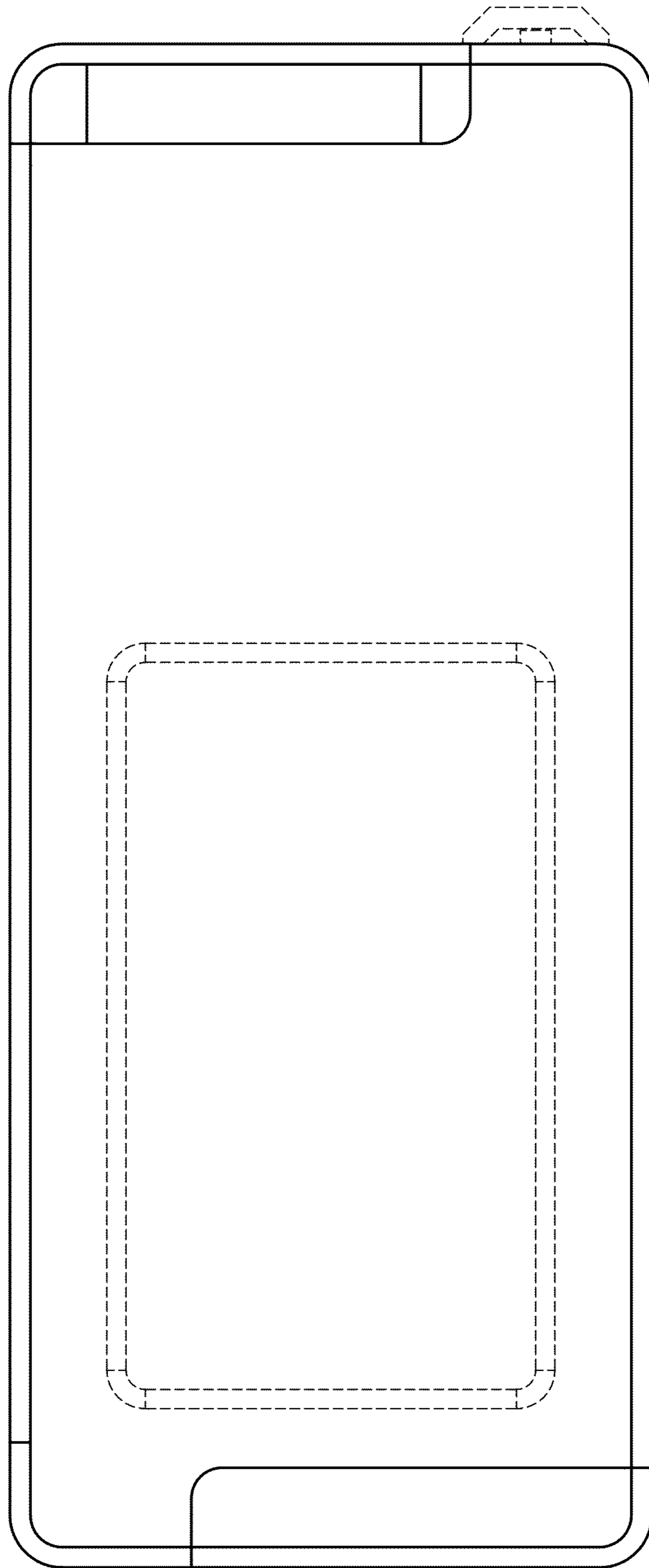


FIG. 6