



US00D689853S

(12) **United States Design Patent**
Smith

(10) **Patent No.:** **US D689,853 S**

(45) **Date of Patent:** **** Sep. 17, 2013**

(54) **MOBILE DEVICE HOLDER**

(71) Applicant: **Mark Smith**, Larkspur, CA (US)

(72) Inventor: **Mark Smith**, Larkspur, CA (US)

(**) Term: **14 Years**

(21) Appl. No.: **29/433,546**

(22) Filed: **Oct. 1, 2012**

(51) **LOC (9) Cl.** **14-03**

(52) **U.S. Cl.**
USPC **D14/253**; D3/218

(58) **Field of Classification Search**
USPC D14/140, 140.8, 142, 243–256, 434,
D14/447; D3/215, 218, 269; D2/861; D6/300,
D6/310, 467, 553–574; 292/342, 343; D19/90;
D12/415

See application file for complete search history.

(56) **References Cited**

U.S. PATENT DOCUMENTS

D404,397 S *	1/1999	Lucaci et al.	D14/253
D406,191 S *	3/1999	Phillips et al.	D3/218
D413,607 S *	9/1999	Lindahl	D14/253
D473,563 S *	4/2003	Russell	D14/447
D496,529 S *	9/2004	Gotou	D3/218

D497,049 S *	10/2004	Lodato et al.	D3/218
D497,713 S *	11/2004	Lodato et al.	D3/218
D499,544 S *	12/2004	Lodato et al.	D3/218
D502,313 S *	3/2005	Lodato et al.	D3/218
D504,564 S *	5/2005	Robertson et al.	D3/218
D517,310 S *	3/2006	Aron et al.	D3/218
D529,713 S *	10/2006	Guyot et al.	D3/218
2012/0193496 A1 *	8/2012	Li	248/316.1

* cited by examiner

Primary Examiner — George D Kirschbaum

Assistant Examiner — Janice Hallmark

(74) *Attorney, Agent, or Firm* — Charter IP, LLC; Matthew J. Lattig

(57) **CLAIM**

The ornamental design for a mobile device holder, as shown and described.

DESCRIPTION

FIG. 1 is a perspective view of a mobile device holder showing my new design.

FIG. 2 is a top view thereof.

FIG. 3 is a bottom view thereof.

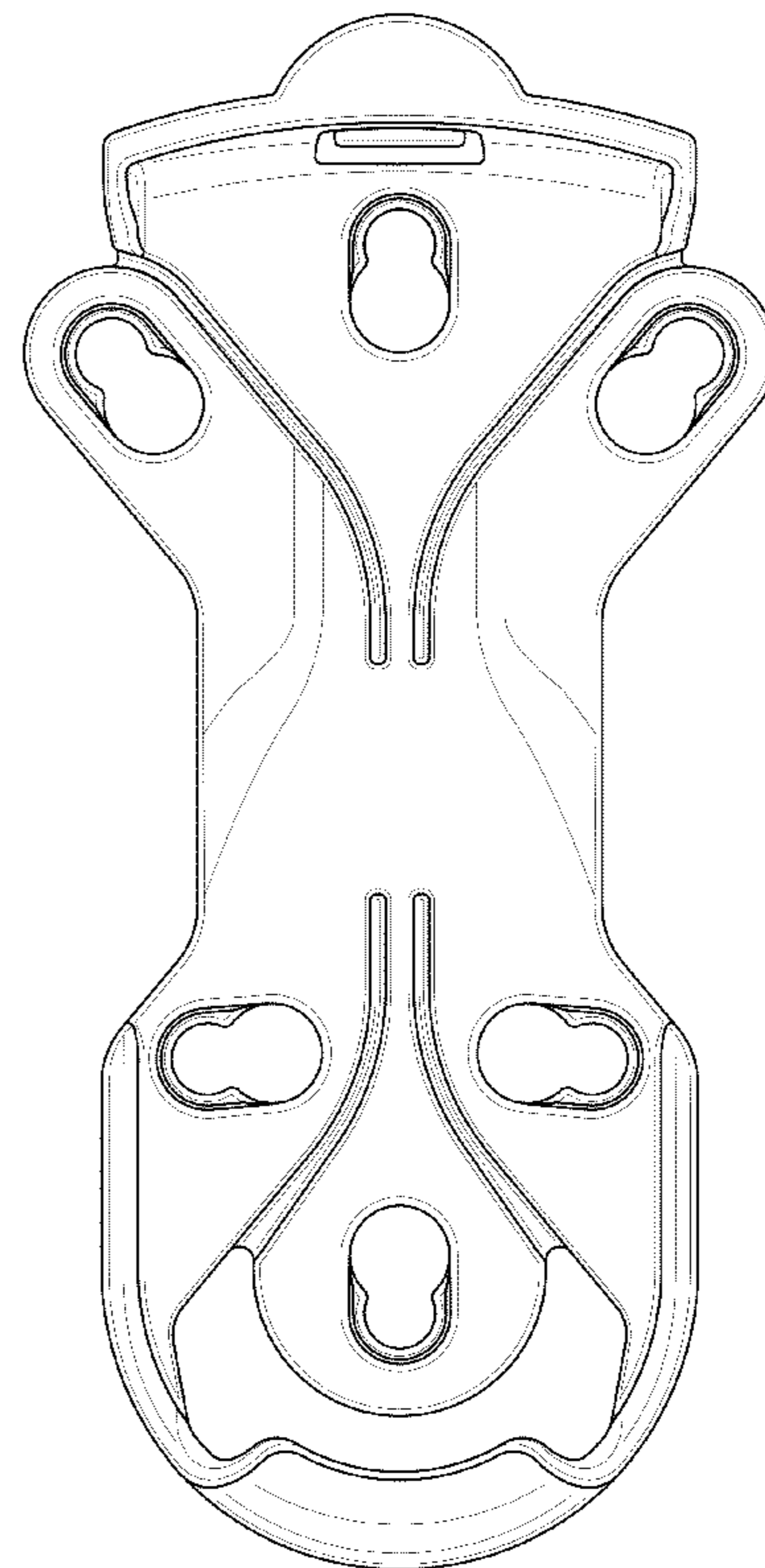
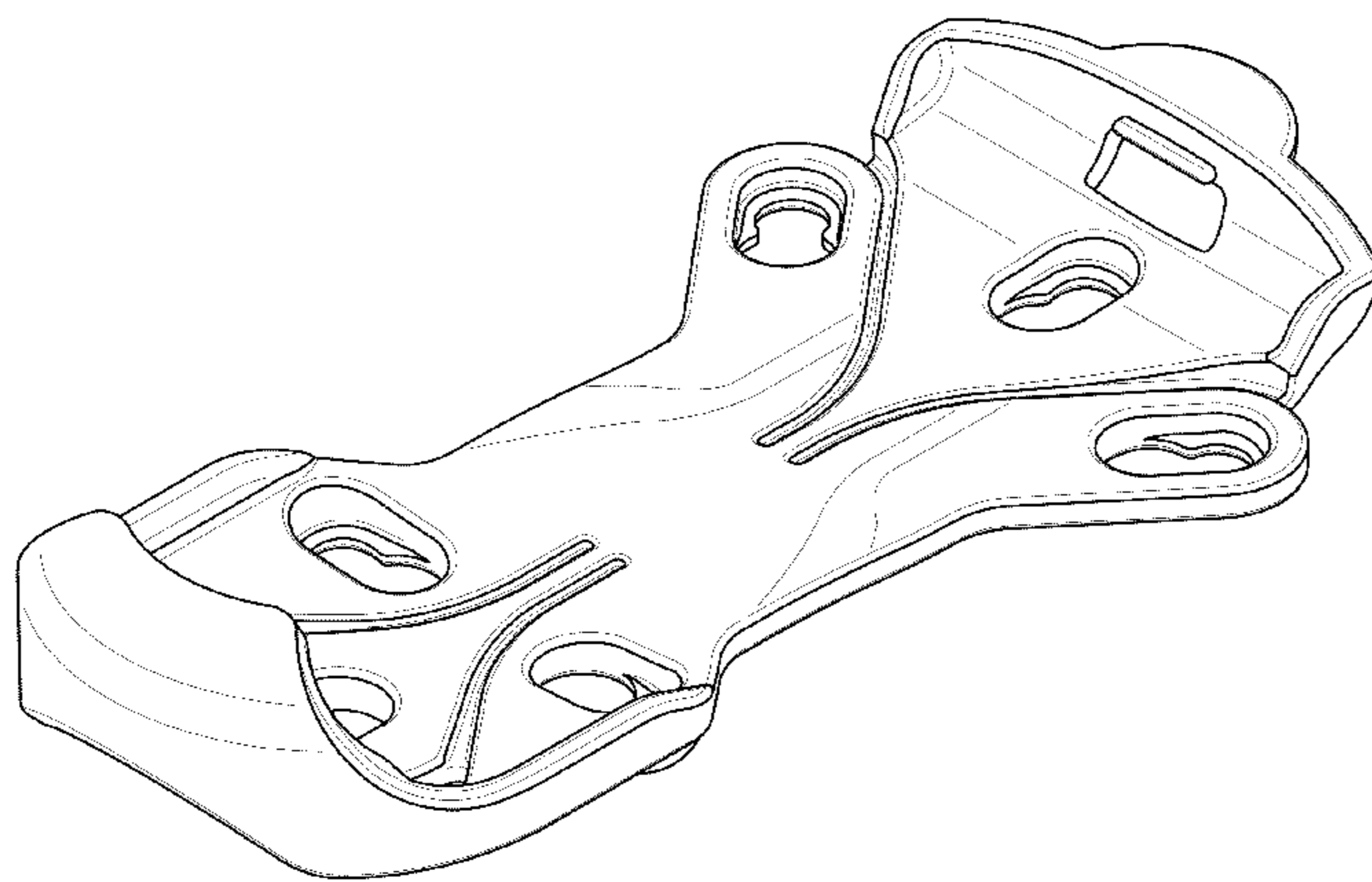
FIG. 4 is a left side view thereof.

FIG. 5 is a right side view thereof.

FIG. 6 is a front view thereof; and,

FIG. 7 is a rear view thereof.

1 Claim, 5 Drawing Sheets



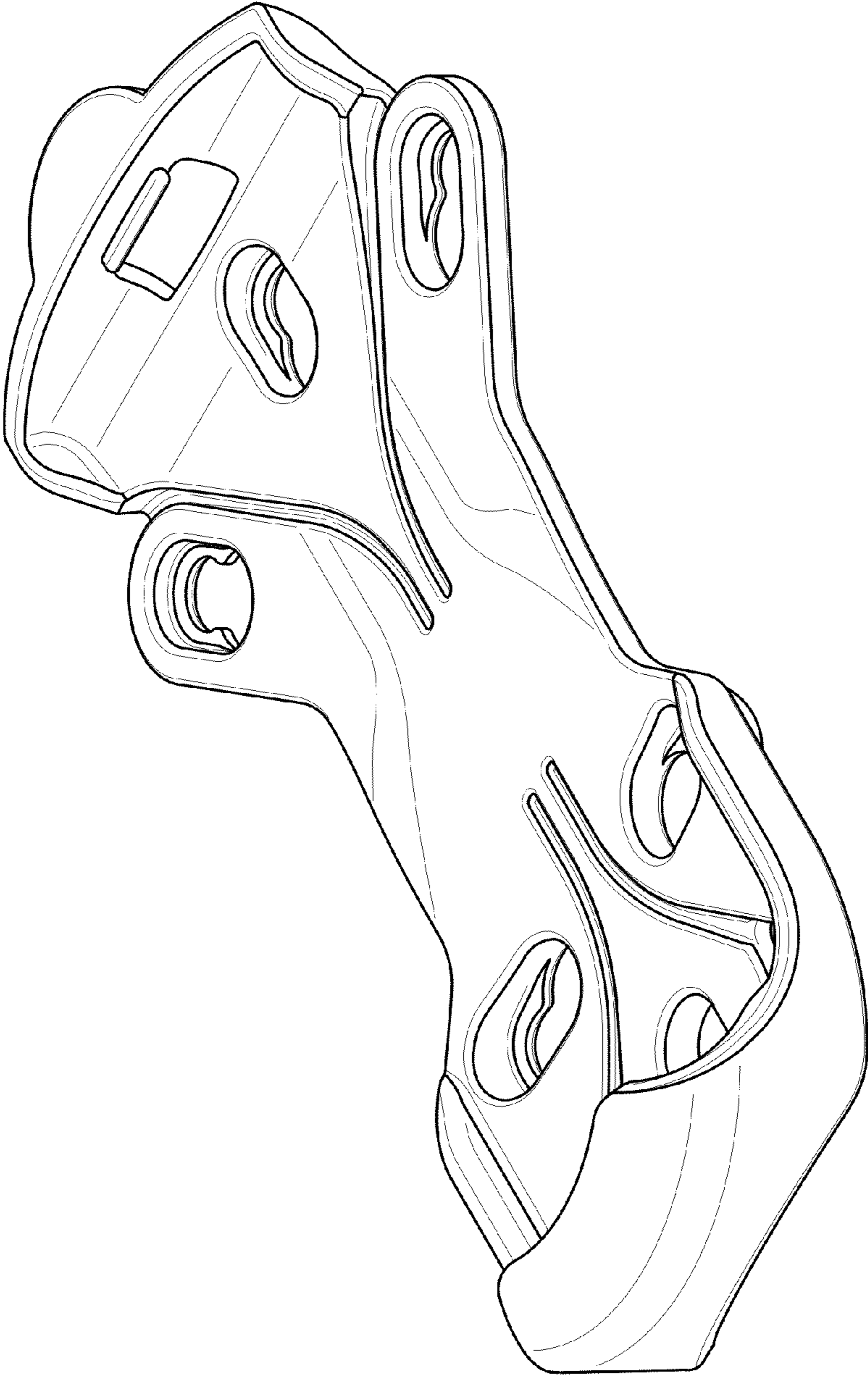


FIG. 1

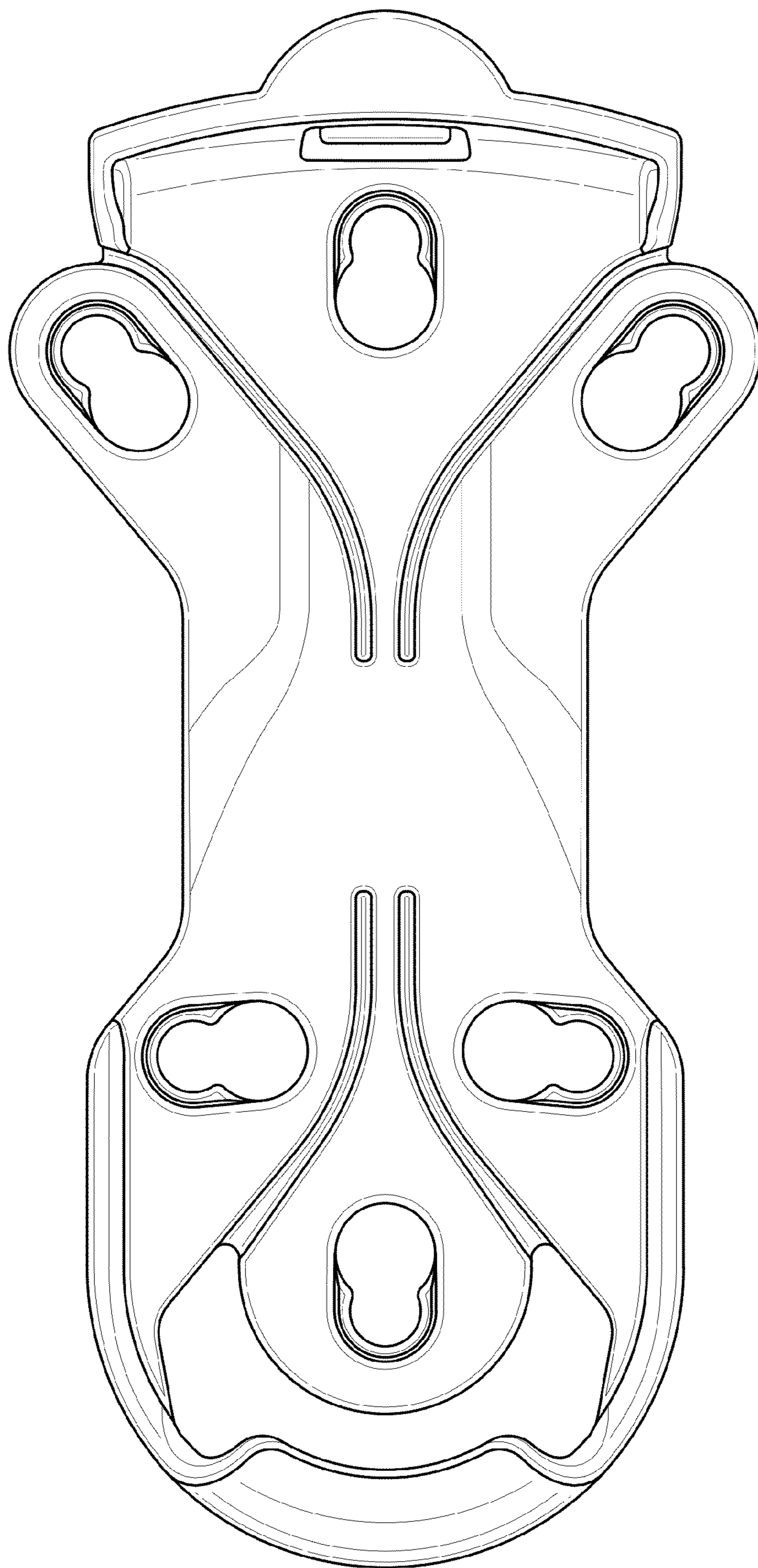


FIG. 2

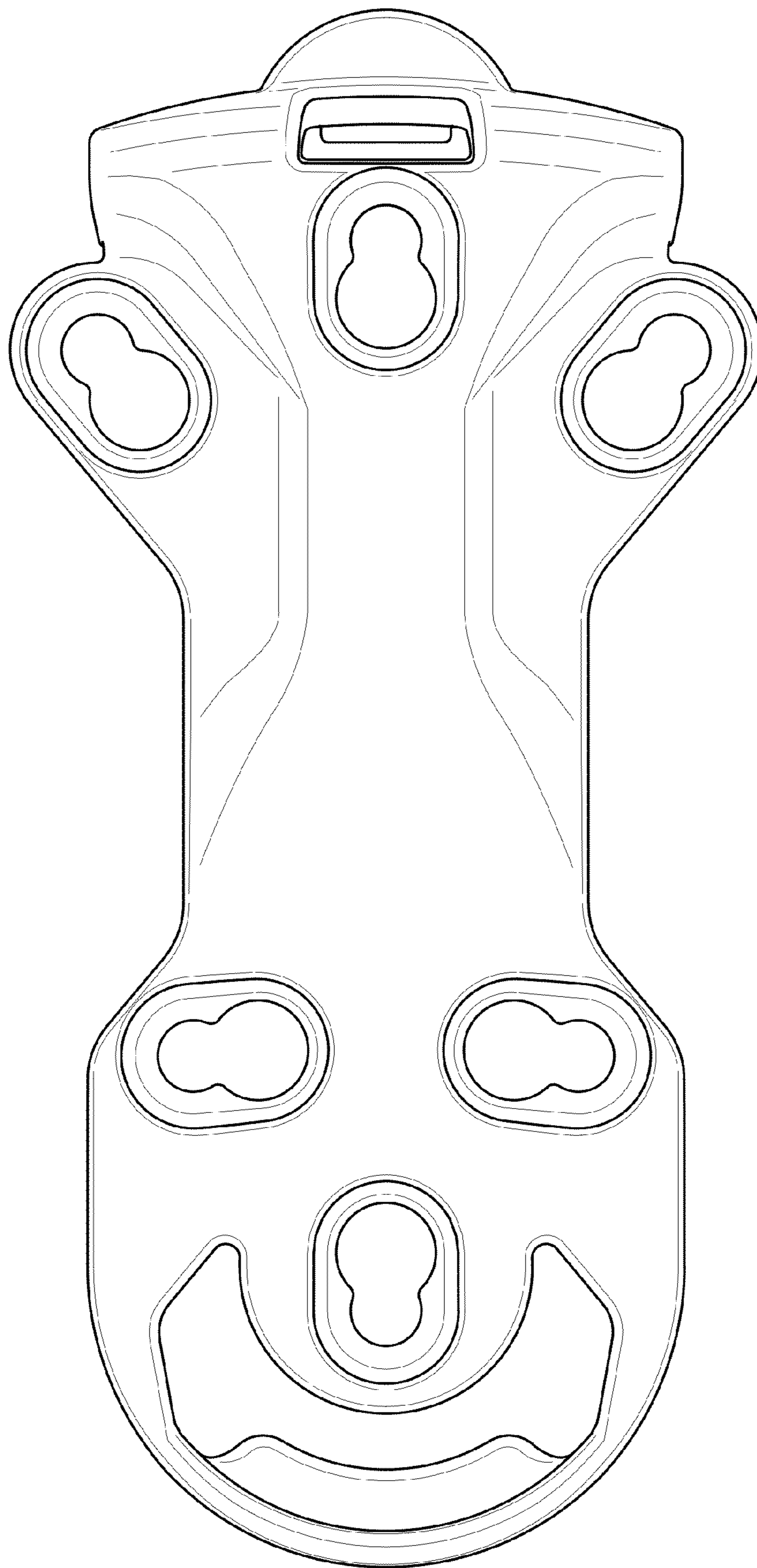


FIG. 3

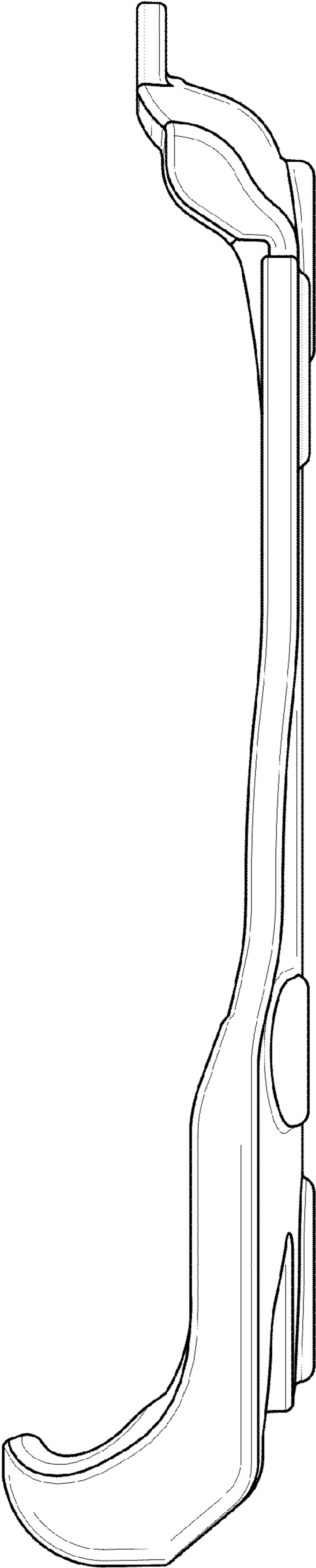


FIG. 4

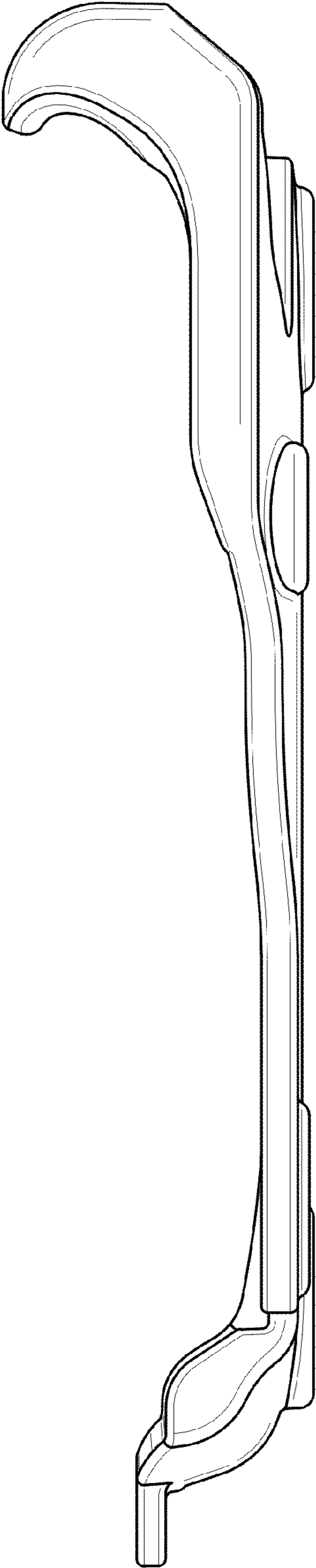


FIG. 5

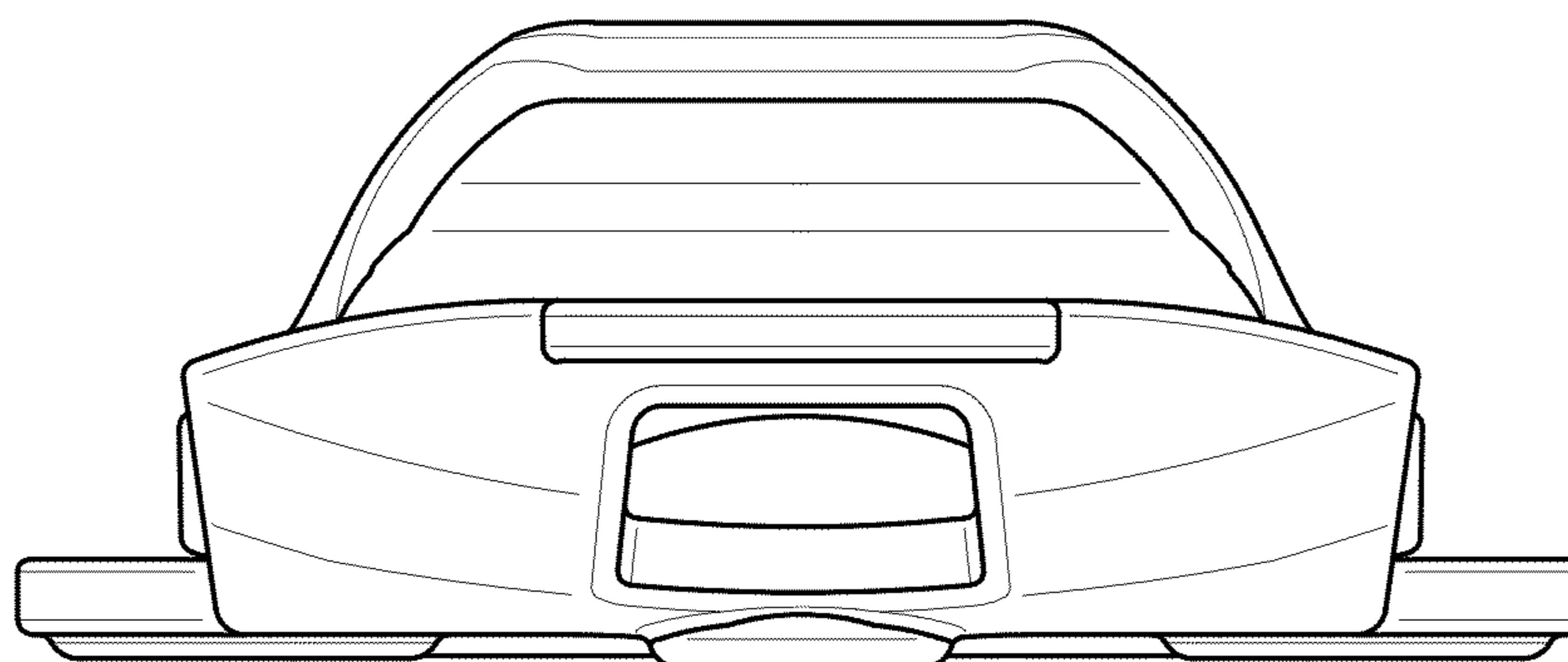


FIG. 6

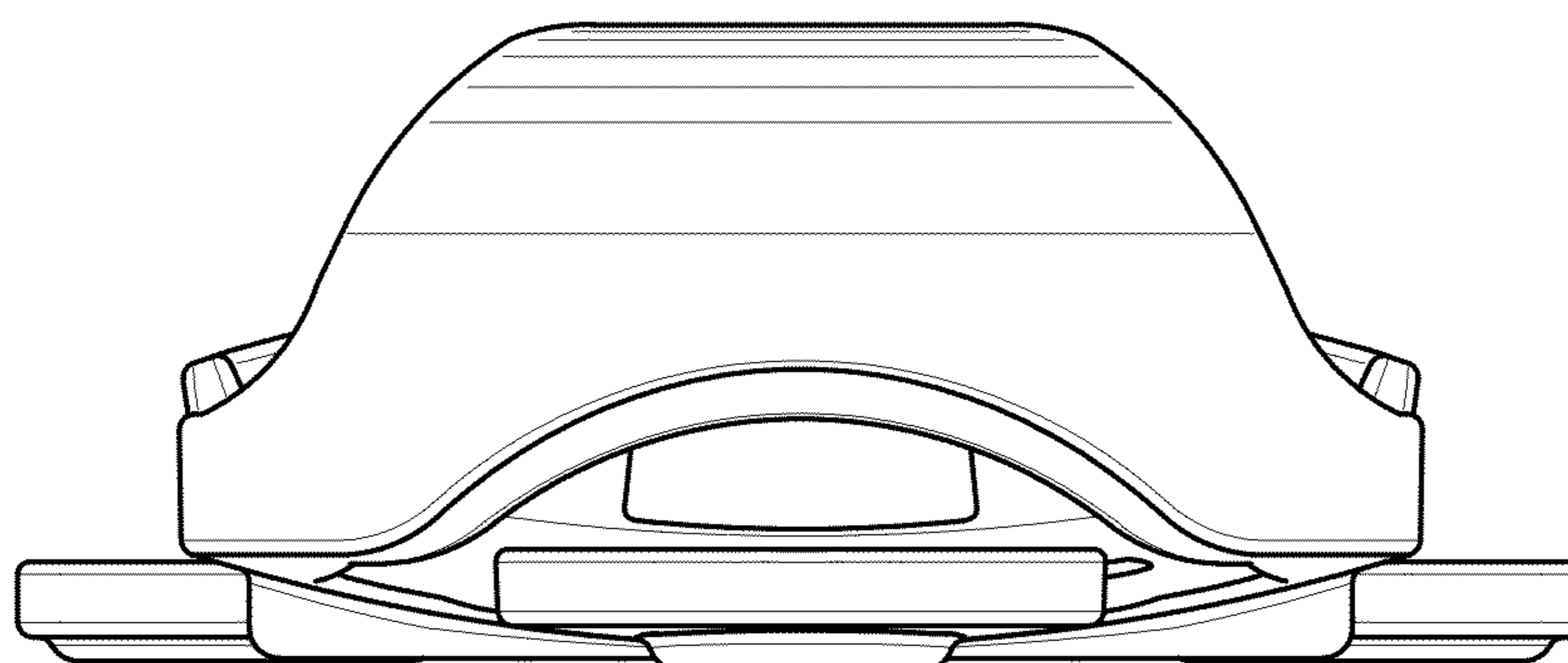


FIG. 7