



US00D689848S

(12) **United States Design Patent**
Lee et al.

(10) **Patent No.:** **US D689,848 S**

(45) **Date of Patent:** **** Sep. 17, 2013**

(54) **HEADPHONE**

(75) Inventors: **Noel Lee**, Las Vegas, NV (US);
Kendrew Lee, Hong Kong (HK); **Jacky Hsiung**, San Jose, CA (US)

(73) Assignee: **Monster, LLC**, Las Vegas, NV (US)

(**) Term: **14 Years**

(21) Appl. No.: **29/430,662**

(22) Filed: **Aug. 28, 2012**

(51) **LOC (9) Cl.** **14-01**

(52) **U.S. Cl.**
USPC **D14/223**

(58) **Field of Classification Search**
USPC D14/223, 205; 181/129, 130, 135;
379/430, 431; 381/380, 381; 455/90.3, 575.1
See application file for complete search history.

(56) **References Cited**

U.S. PATENT DOCUMENTS

2,248,837	A *	7/1941	Walters	381/380
D340,932	S *	11/1993	Yan	D14/249
5,410,608	A *	4/1995	Lucey et al.	381/360
5,420,935	A *	5/1995	Shinohara et al.	381/370
5,809,159	A *	9/1998	Lee	381/380
D554,109	S *	10/2007	Ledbetter et al.	D14/223
D557,689	S *	12/2007	Huang	D14/223
D566,687	S *	4/2008	Duarte et al.	D14/205
D598,901	S *	8/2009	Lee et al.	D14/223
D599,781	S *	9/2009	Lee et al.	D14/205

7,979,035	B2 *	7/2011	Griffin et al.	455/90.3
D643,414	S *	8/2011	Lee et al.	D14/223
D643,417	S *	8/2011	Lee et al.	D14/223
D643,833	S *	8/2011	Lee et al.	D14/223
D653,235	S *	1/2012	McManigal	D14/205
8,111,861	B2 *	2/2012	Lowry	381/380
D656,481	S *	3/2012	McManigal	D14/205
D658,157	S *	4/2012	McManigal	D14/205
D666,996	S *	9/2012	Hardi et al.	D14/223
D673,531	S *	1/2013	Lee et al.	D14/223

* cited by examiner

Primary Examiner — Paula Greene

(74) *Attorney, Agent, or Firm* — LaRiviere, Grubman & Payne, LLP

(57) **CLAIM**

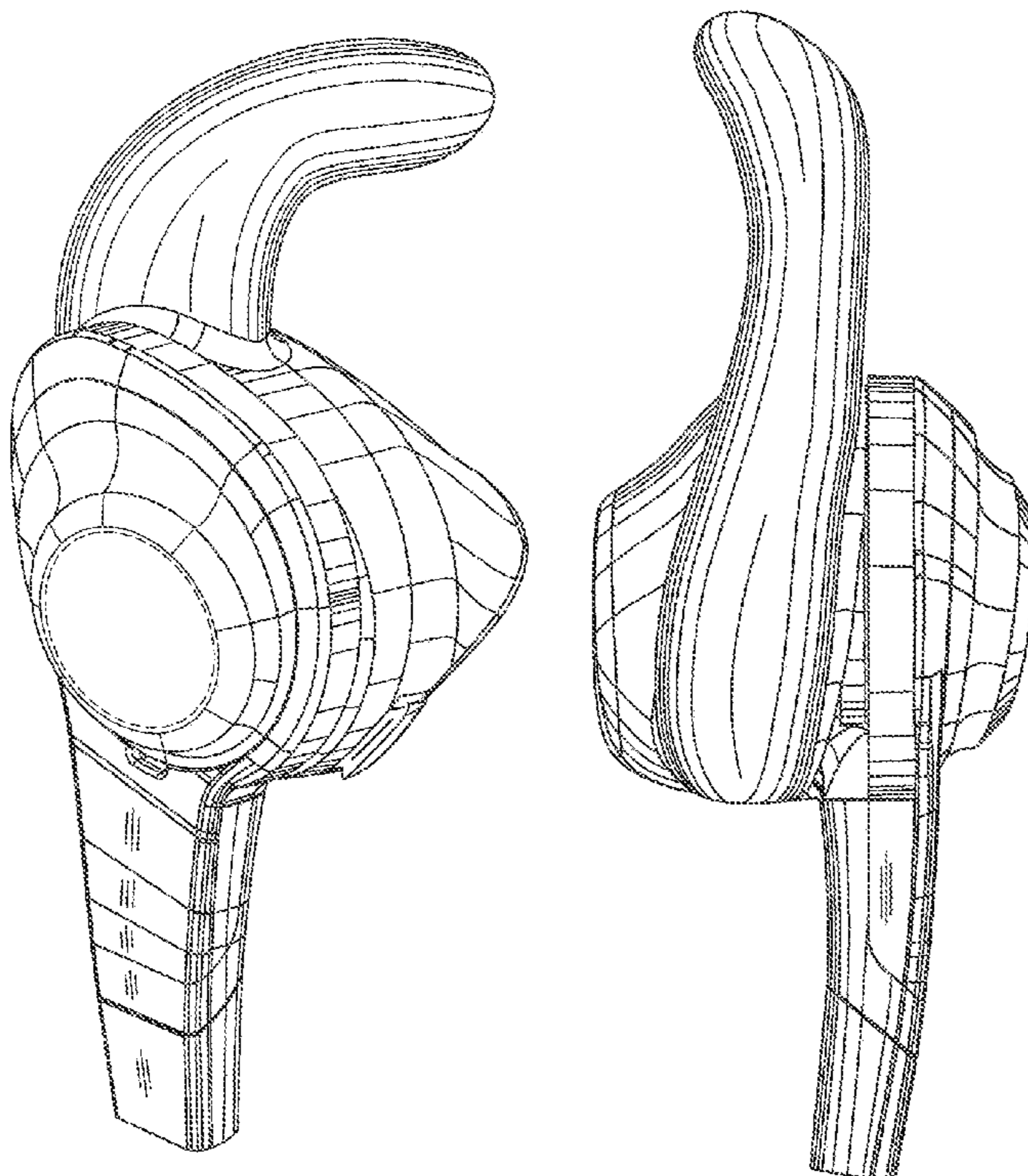
The ornamental design for a headphone, as shown and described.

DESCRIPTION

FIG. 1 is a perspective view of a headphone, showing our design;
FIG. 2 is an opposing perspective view thereof;
FIG. 3 is front view thereof;
FIG. 4 is a rear view thereof;
FIG. 5 is a side view thereof;
FIG. 6 is an opposing side view thereof;
FIG. 7 is a top view thereof; and,
FIG. 8 is a bottom view thereof.

The broken lines showing the environment are for illustrative purposes only and form no part of the claimed design.

1 Claim, 4 Drawing Sheets



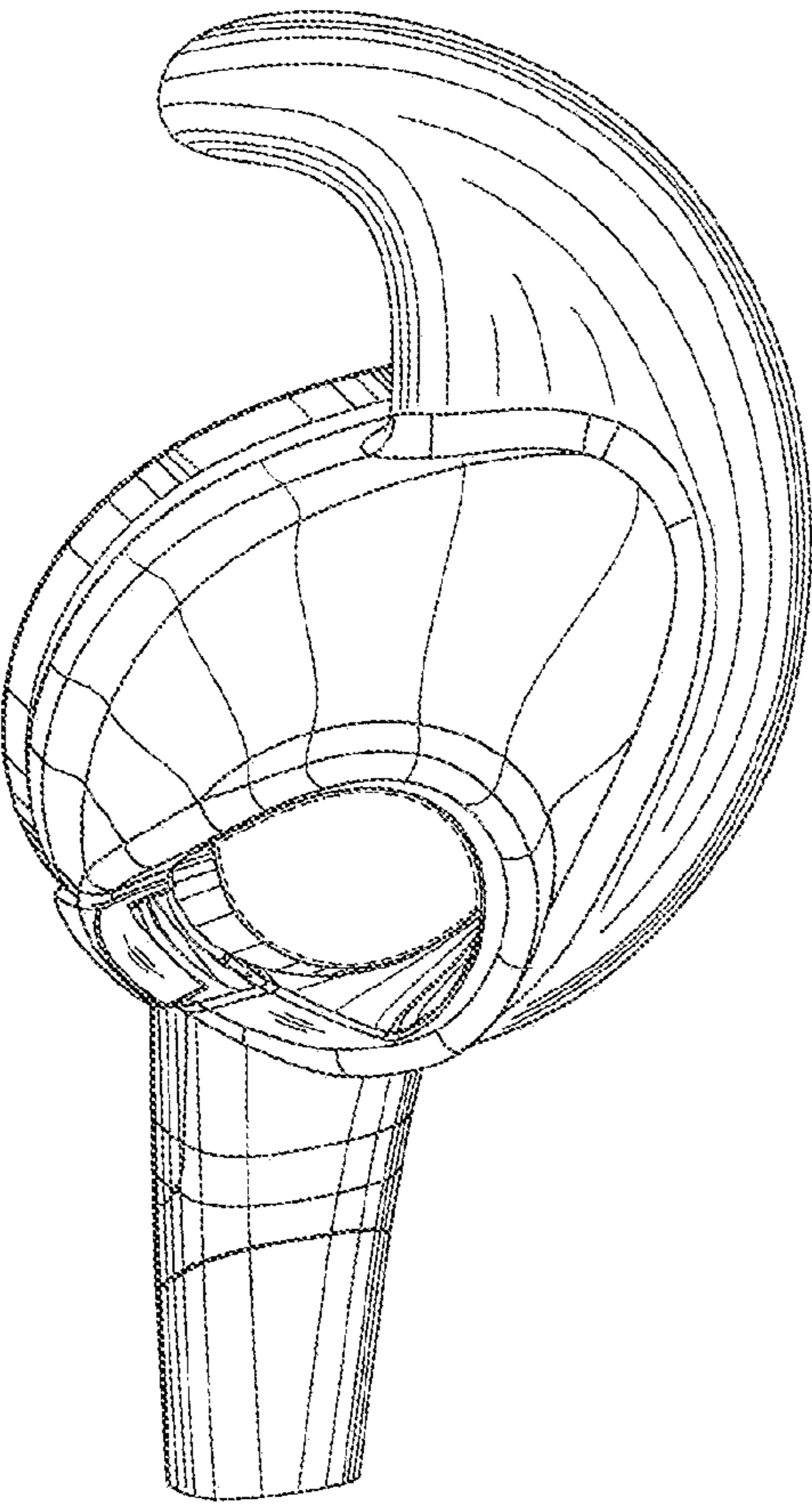


FIG. 1

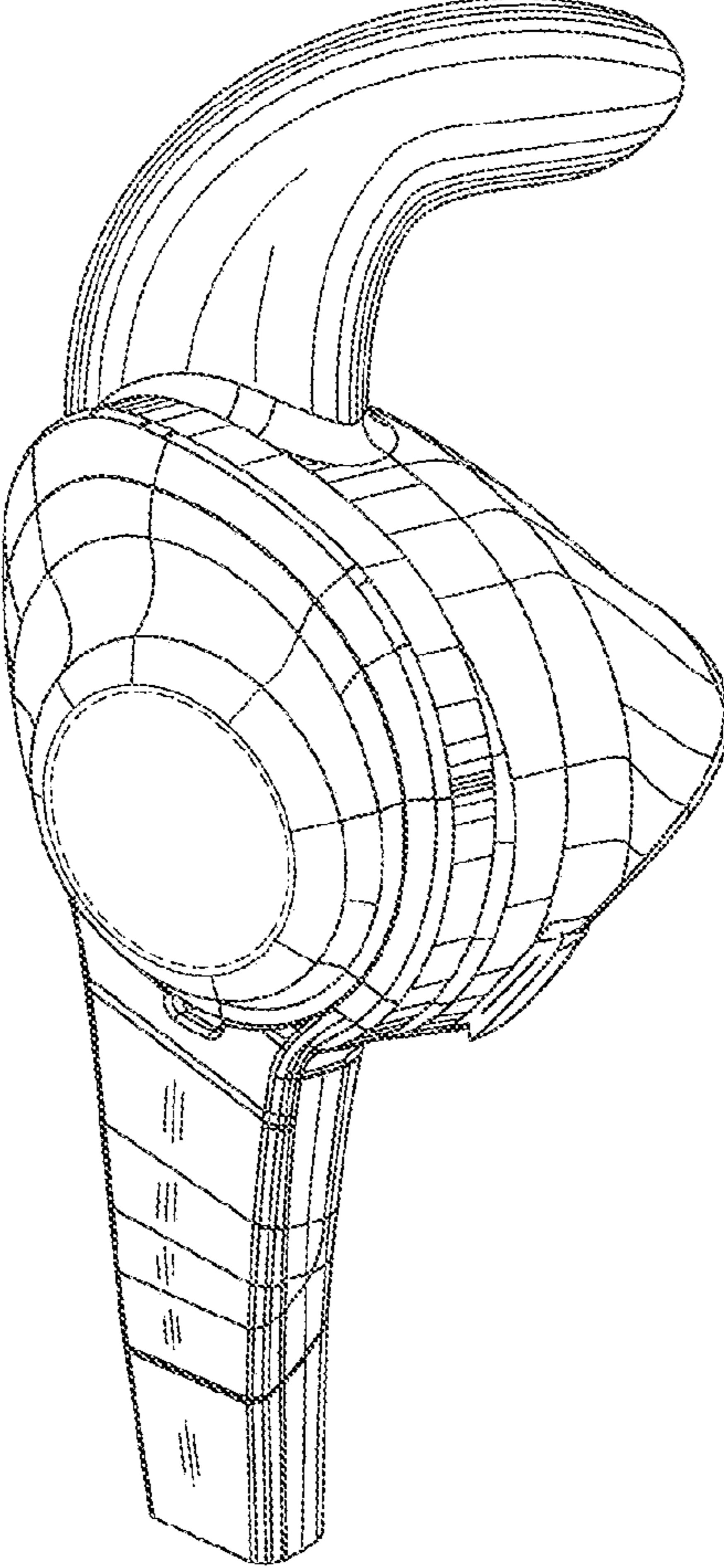


FIG. 2

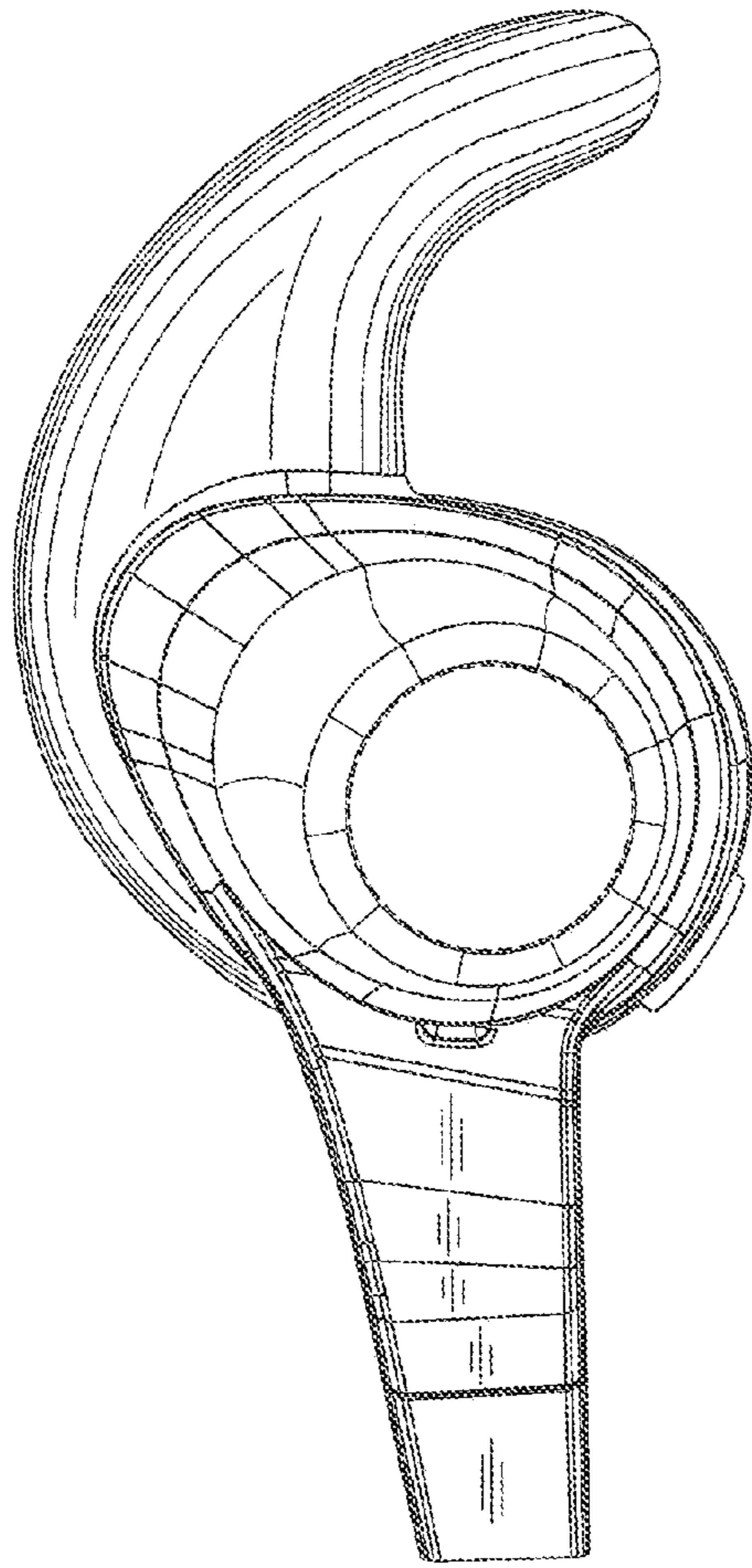


FIG. 3

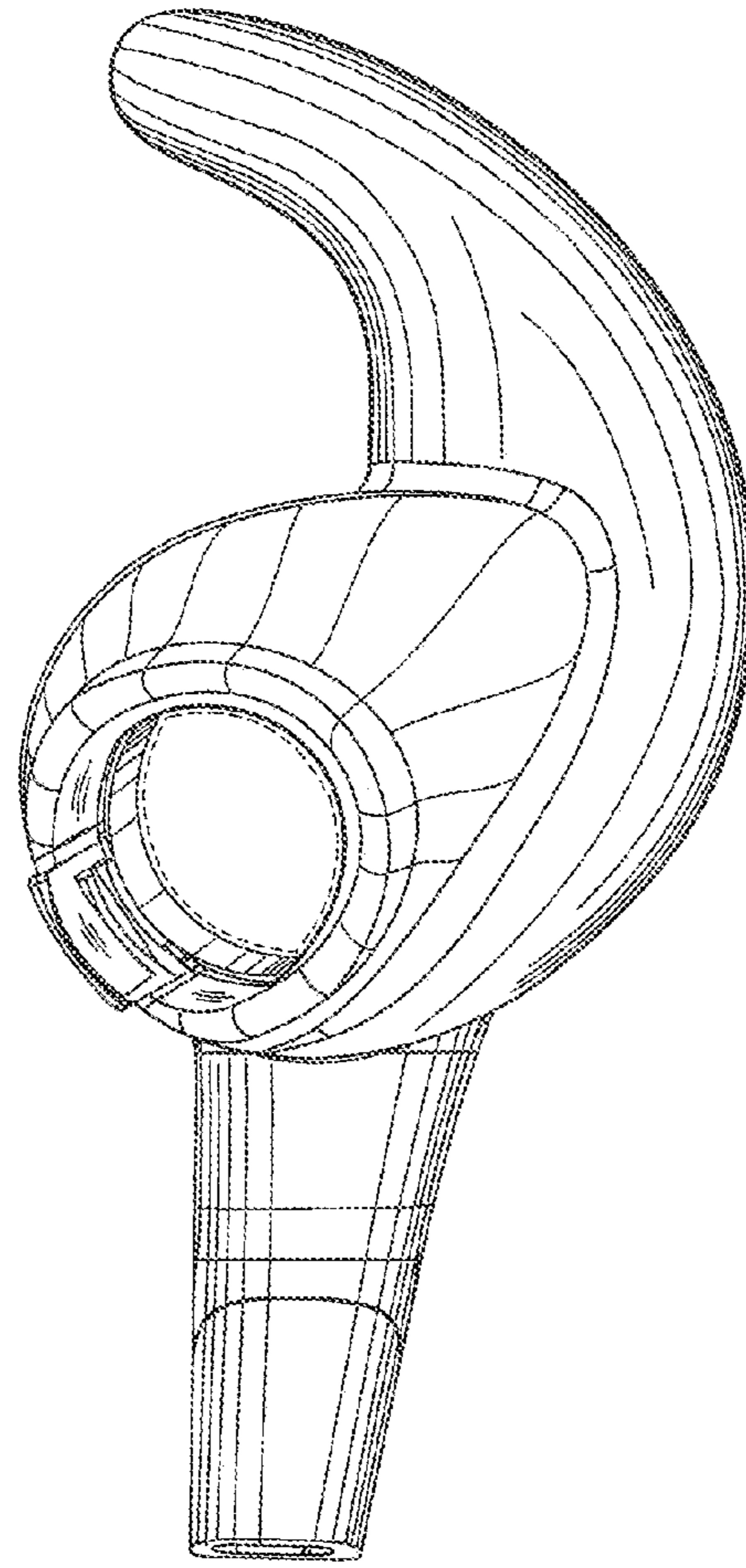


FIG. 4

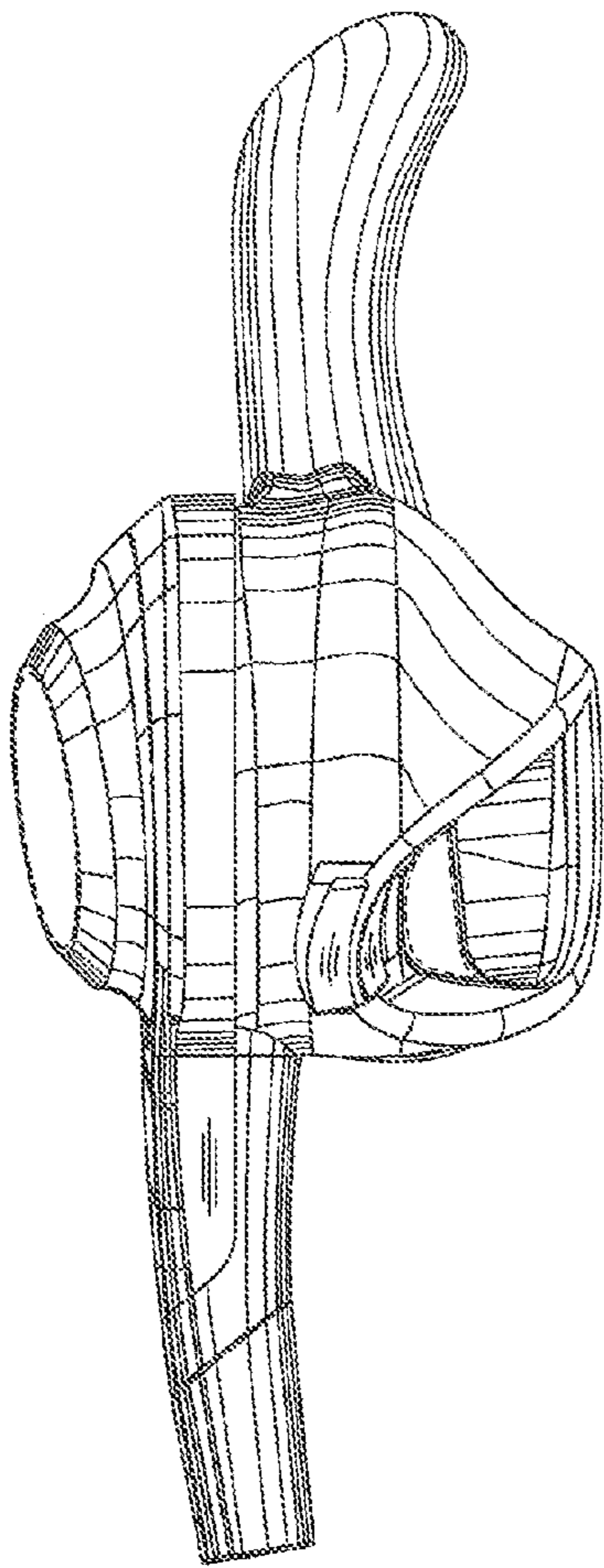


FIG. 5

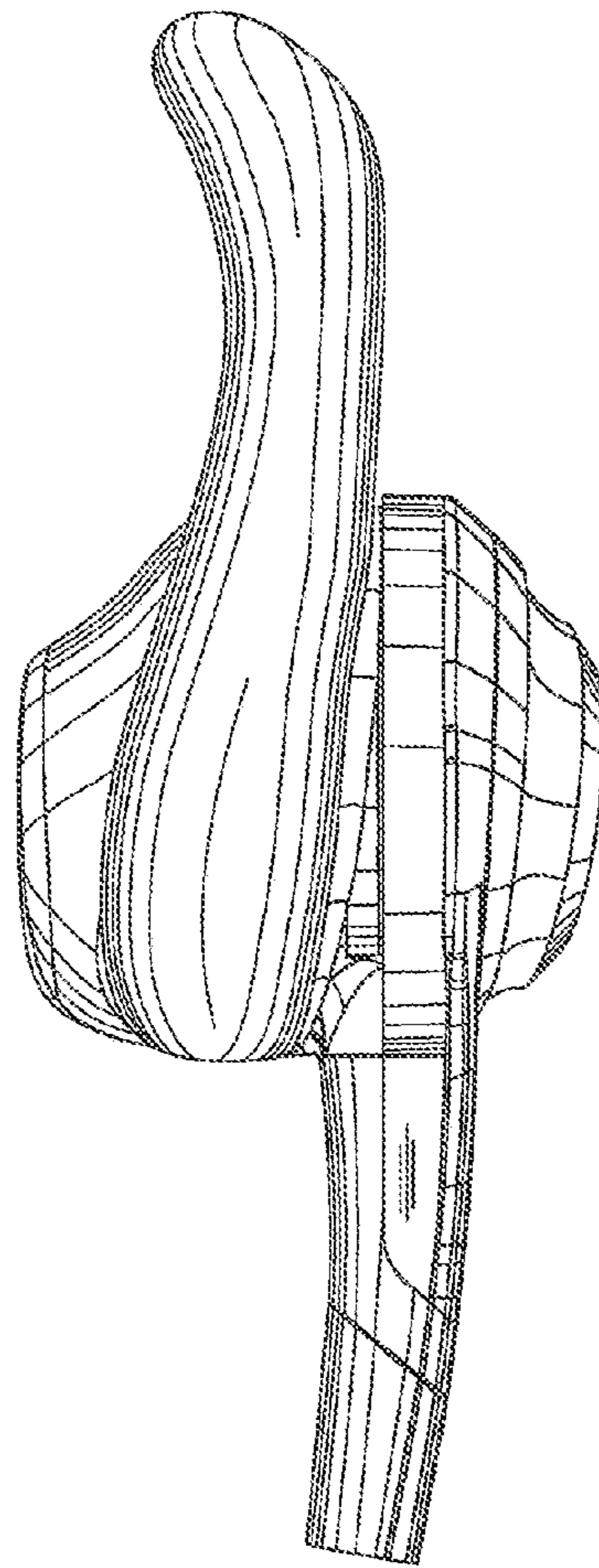


FIG. 6

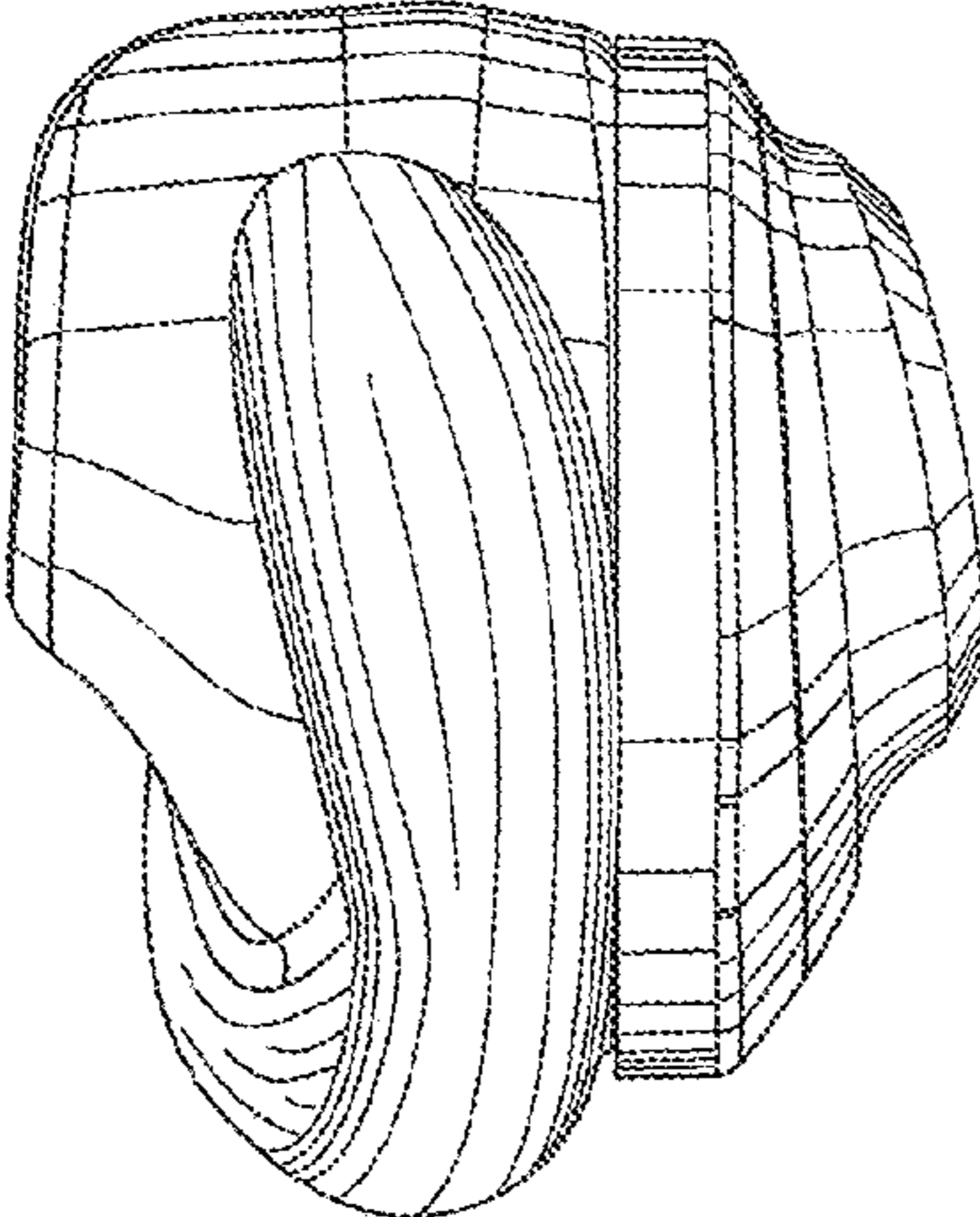


FIG. 7

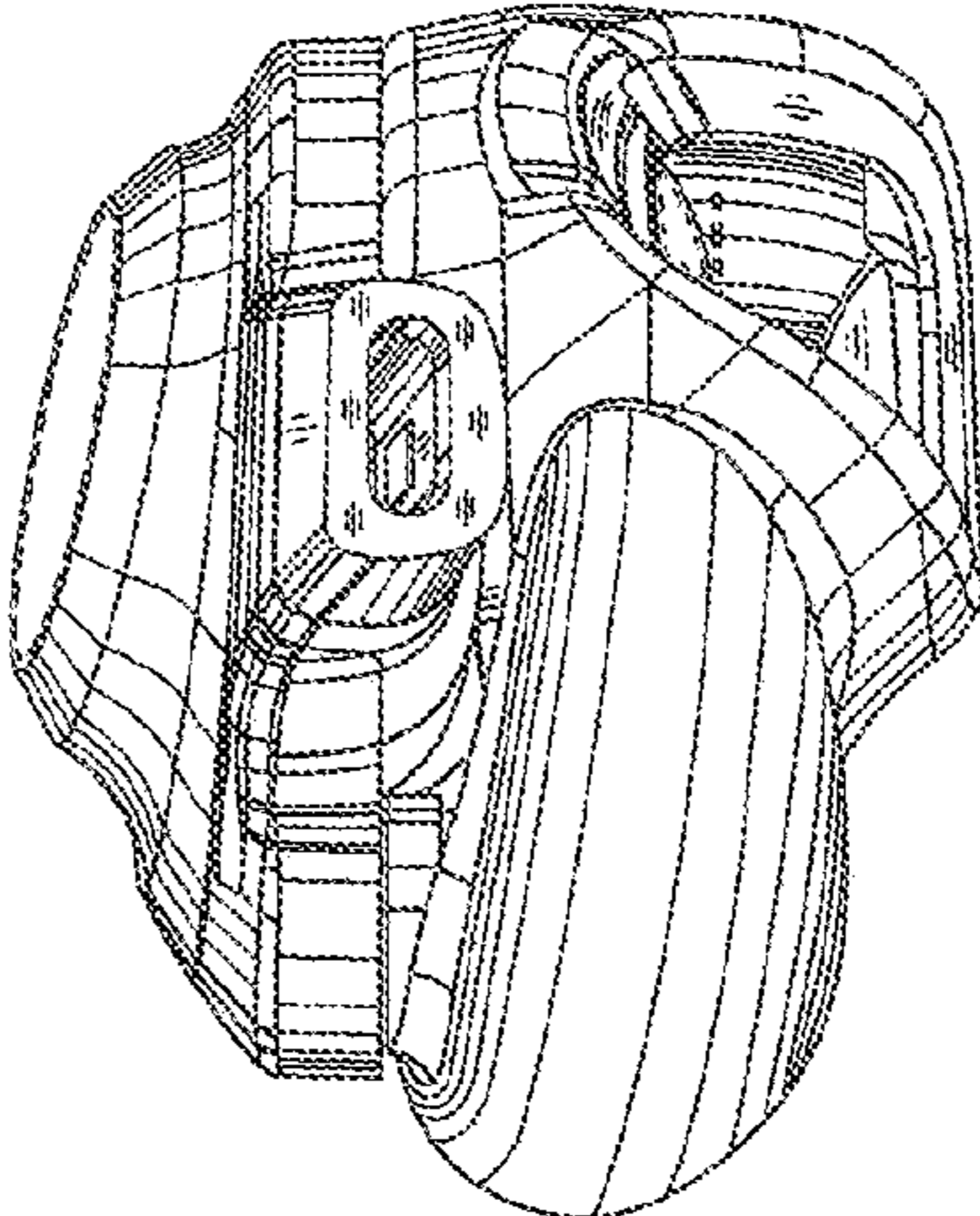


FIG. 8