



US00D689847S

(12) **United States Design Patent**  
**To**

(10) **Patent No.:** **US D689,847 S**  
(45) **Date of Patent:** **\*\* Sep. 17, 2013**

(54) **MOBILE PHONE WIRELESS EARPIECE AND EARPIECE BATTERY CHARGER**

**DESCRIPTION**

(75) Inventor: **Nguyen To**, Corona, CA (US)

(73) Assignee: **mophie, Inc.**, Santa Ana, CA (US)

(\*\*) Term: **14 Years**

(21) Appl. No.: **29/410,525**

(22) Filed: **Jan. 9, 2012**

(51) **LOC (9) Cl.** ..... **14-01**

(52) **U.S. Cl.**  
USPC ..... **D14/223**

(58) **Field of Classification Search**  
USPC ..... D14/205, 206, 223, 224, 229; D13/107,  
D13/110; 181/129, 130, 135; 379/430, 431;  
381/380, 381, 330; 455/90.3, 575.1; 320/110  
See application file for complete search history.

(56) **References Cited**

**U.S. PATENT DOCUMENTS**

5,648,712	A *	7/1997	Hahn	.....	320/111
D496,029	S *	9/2004	Skulley et al.	.....	D14/224
D503,679	S *	4/2005	Andre et al.	.....	D13/110
D518,477	S *	4/2006	Chen	.....	D14/223
D538,271	S *	3/2007	Kim et al.	.....	D14/223
D551,216	S *	9/2007	Wei	.....	D14/223
D595,697	S *	7/2009	Mao et al.	.....	D14/223
7,778,410	B2 *	8/2010	Liu et al.	.....	379/430
D628,194	S *	11/2010	Koch	.....	D14/223
D633,480	S *	3/2011	Behar et al.	.....	D14/223
D635,961	S *	4/2011	Gidden et al.	.....	D14/223
D648,709	S *	11/2011	Behar et al.	.....	D14/223
D661,284	S *	6/2012	Brandis et al.	.....	D14/223
D665,384	S *	8/2012	Birger	.....	D14/223
D671,096	S *	11/2012	Song et al.	.....	D14/223

\* cited by examiner

*Primary Examiner* — Paula Greene

(74) *Attorney, Agent, or Firm* — Duane Morris LLP

(57) **CLAIM**

The ornamental design for a mobile phone wireless earpiece and earpiece battery charger, as shown and described.

FIG. 1 is a top view of the mobile phone wireless earpiece and earpiece battery charger with the wireless earpiece plugged into the earpiece battery charger;

FIG. 2 is a left-hand-side view of the mobile phone wireless earpiece and earpiece battery charger with the wireless earpiece plugged into the earpiece battery charger;

FIG. 3 is a front view of the mobile phone wireless earpiece and earpiece battery charger with the wireless earpiece plugged into the earpiece battery charger;

FIG. 4 is a right-hand-side view of the mobile phone wireless earpiece and earpiece battery charger with the wireless earpiece plugged into the earpiece battery charger;

FIG. 5 is a rear view of the mobile phone wireless earpiece and earpiece battery charger with the wireless earpiece plugged into the earpiece battery charger;

FIG. 6 is a bottom view of the mobile phone wireless earpiece and earpiece battery charger with the wireless earpiece plugged into the earpiece battery charger;

FIG. 7 is a top view of the mobile phone wireless earpiece and earpiece battery charger with the wireless earpiece in the process of being removed from the earpiece battery charger;

FIG. 8 is a left-hand-side view of the mobile phone wireless earpiece and earpiece battery charger with the wireless earpiece in the process of being removed from the earpiece battery charger;

FIG. 9 is a front view of the mobile phone wireless earpiece and earpiece battery charger with the wireless earpiece in the process of being removed from the earpiece battery charger;

FIG. 10 is a right-hand-side view of the mobile phone wireless earpiece and earpiece battery charger with the wireless earpiece in the process of being removed from the earpiece battery charger;

FIG. 11 is a rear view of the mobile phone wireless earpiece and earpiece battery charger with the wireless earpiece in the process of being removed from the earpiece battery charger;

FIG. 12 is a bottom view of the mobile phone wireless earpiece and earpiece battery charger with the wireless earpiece in the process of being removed from the earpiece battery charger;

FIG. 13 is a top view of the wireless earpiece for the mobile phone wireless earpiece and earpiece battery charger shown separately for purposes of illustration;

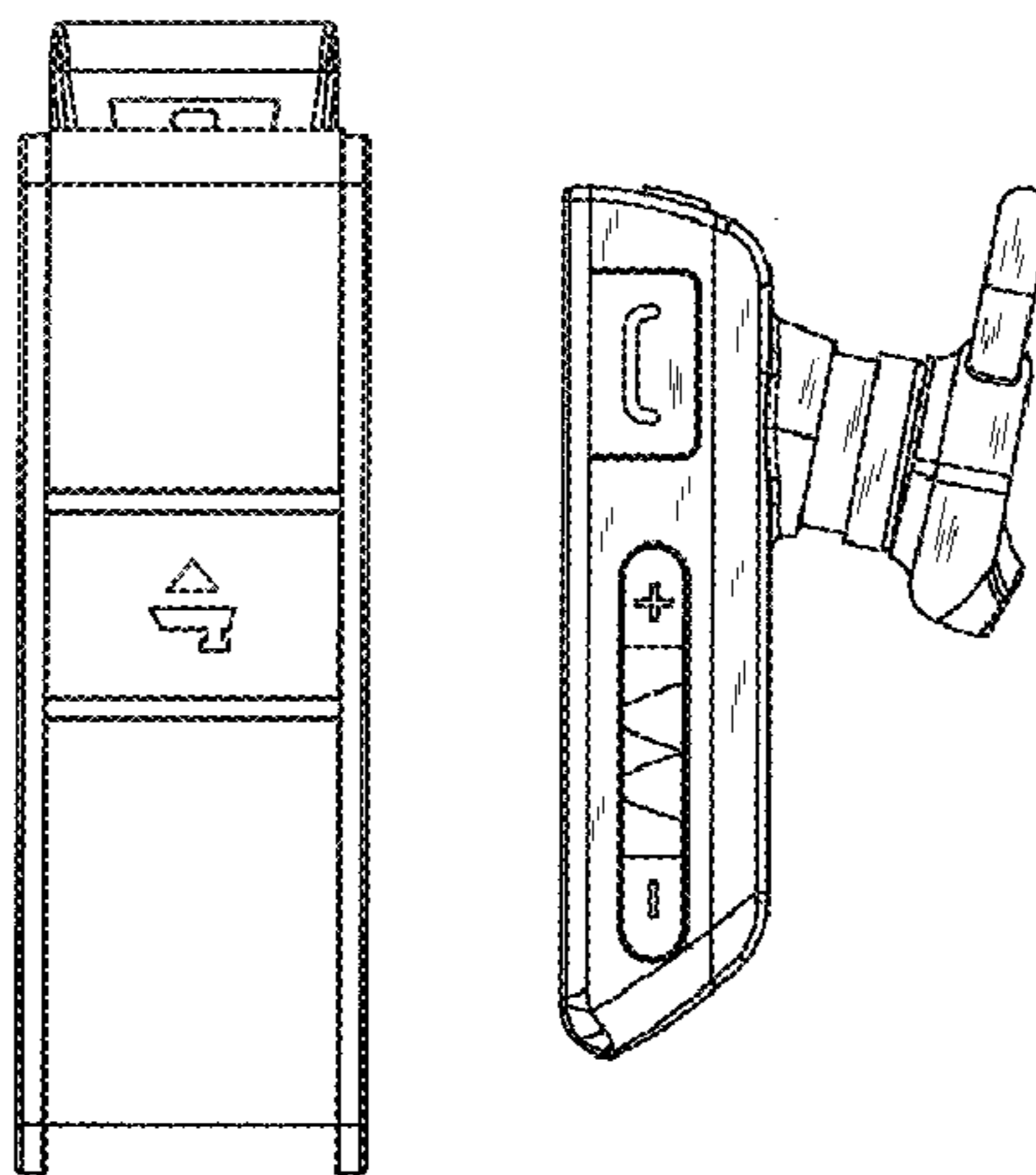


FIG. **14** is a left-hand-side view of the wireless earpiece for the mobile phone wireless earpiece and earpiece battery charger shown separately for purposes of illustration;  
FIG. **15** is a front view of the wireless earpiece for the mobile phone wireless earpiece and earpiece battery charger shown separately for purposes of illustration;  
FIG. **16** is a right-hand-side view of the wireless earpiece removed from the mobile phone wireless earpiece and earpiece battery charger;

FIG. **17** is a rear view of the wireless earpiece removed from the mobile phone wireless earpiece and earpiece battery charger; and,  
FIG. **18** is a bottom view of the wireless earpiece removed from the mobile phone wireless earpiece and earpiece battery charger.

**1 Claim, 18 Drawing Sheets**



FIGURE 1

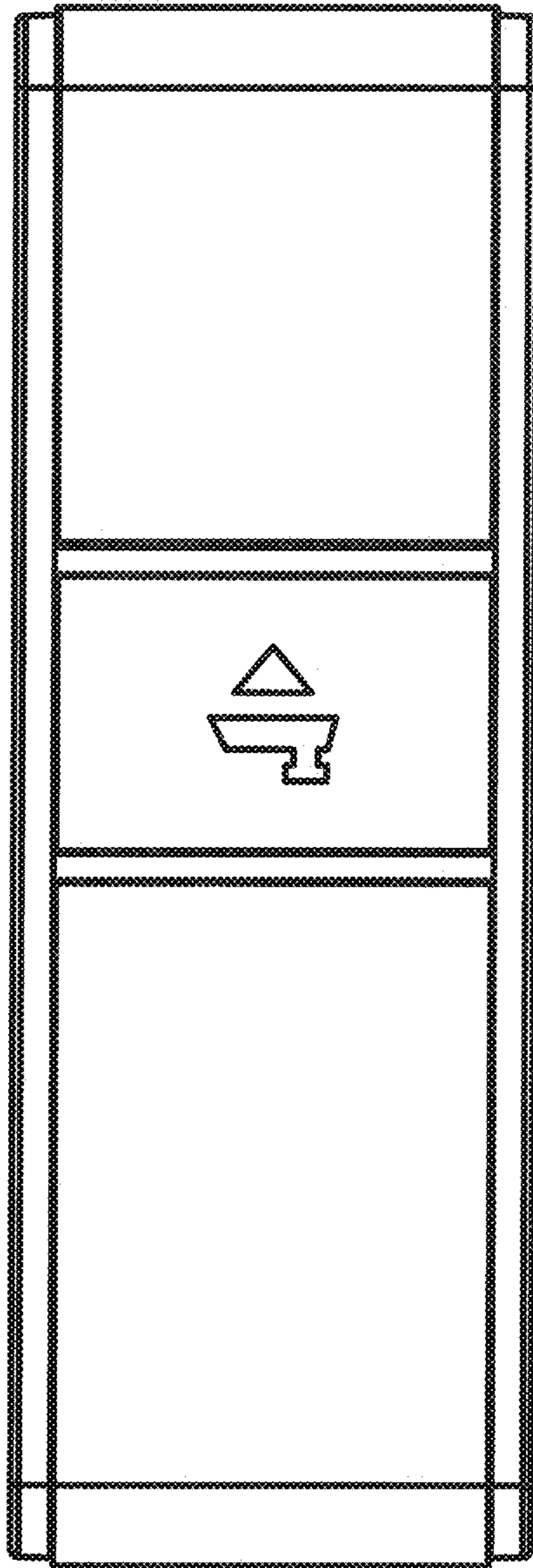


FIGURE 2

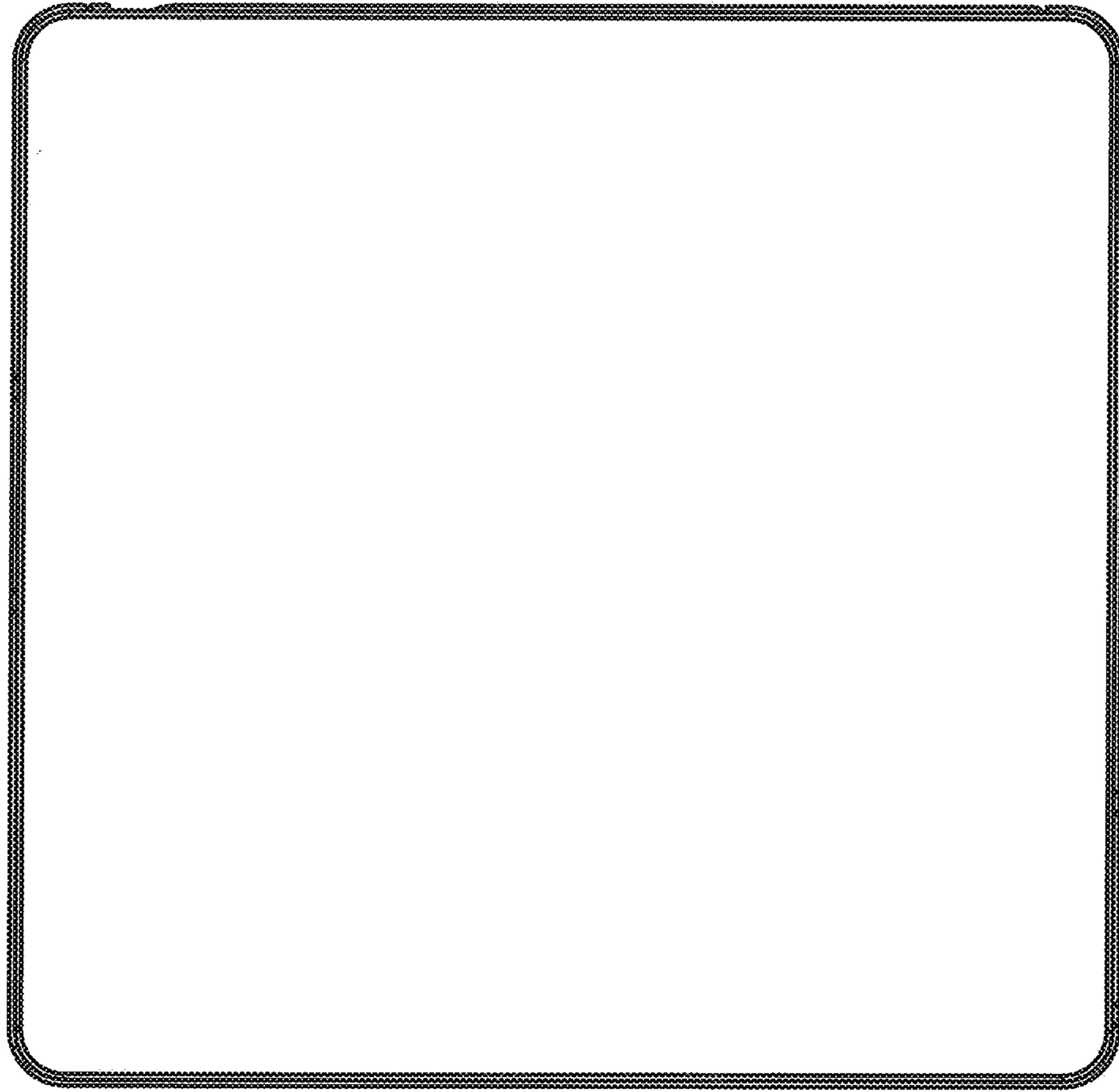


FIGURE 3

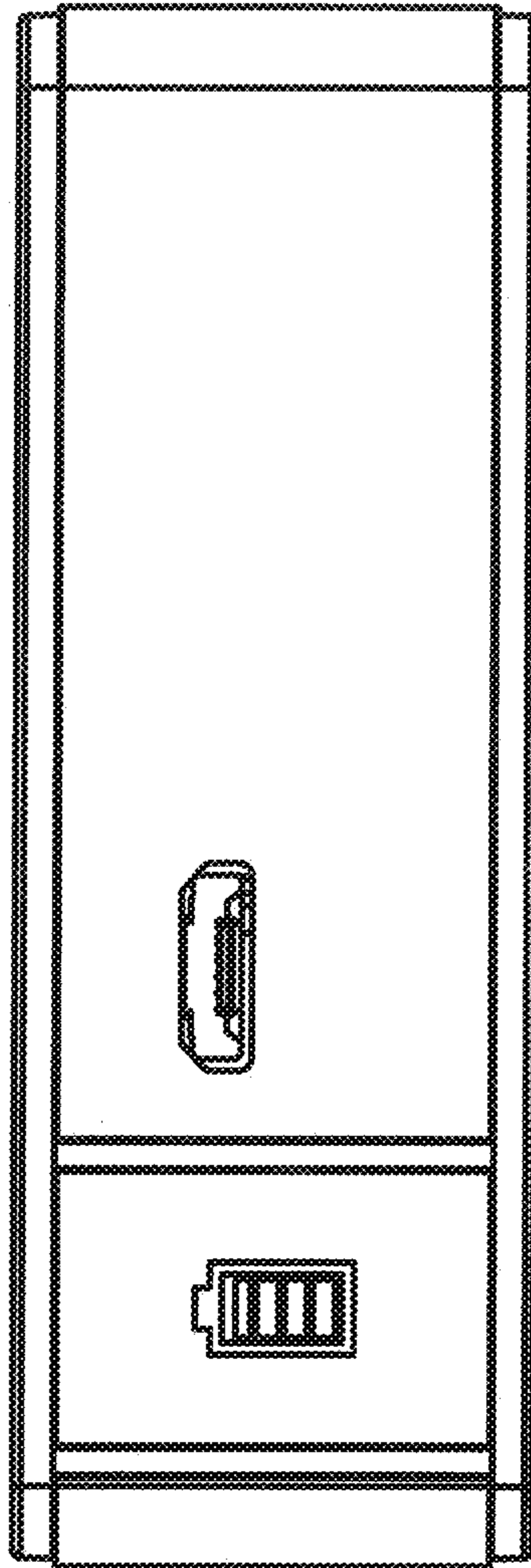


FIGURE 4

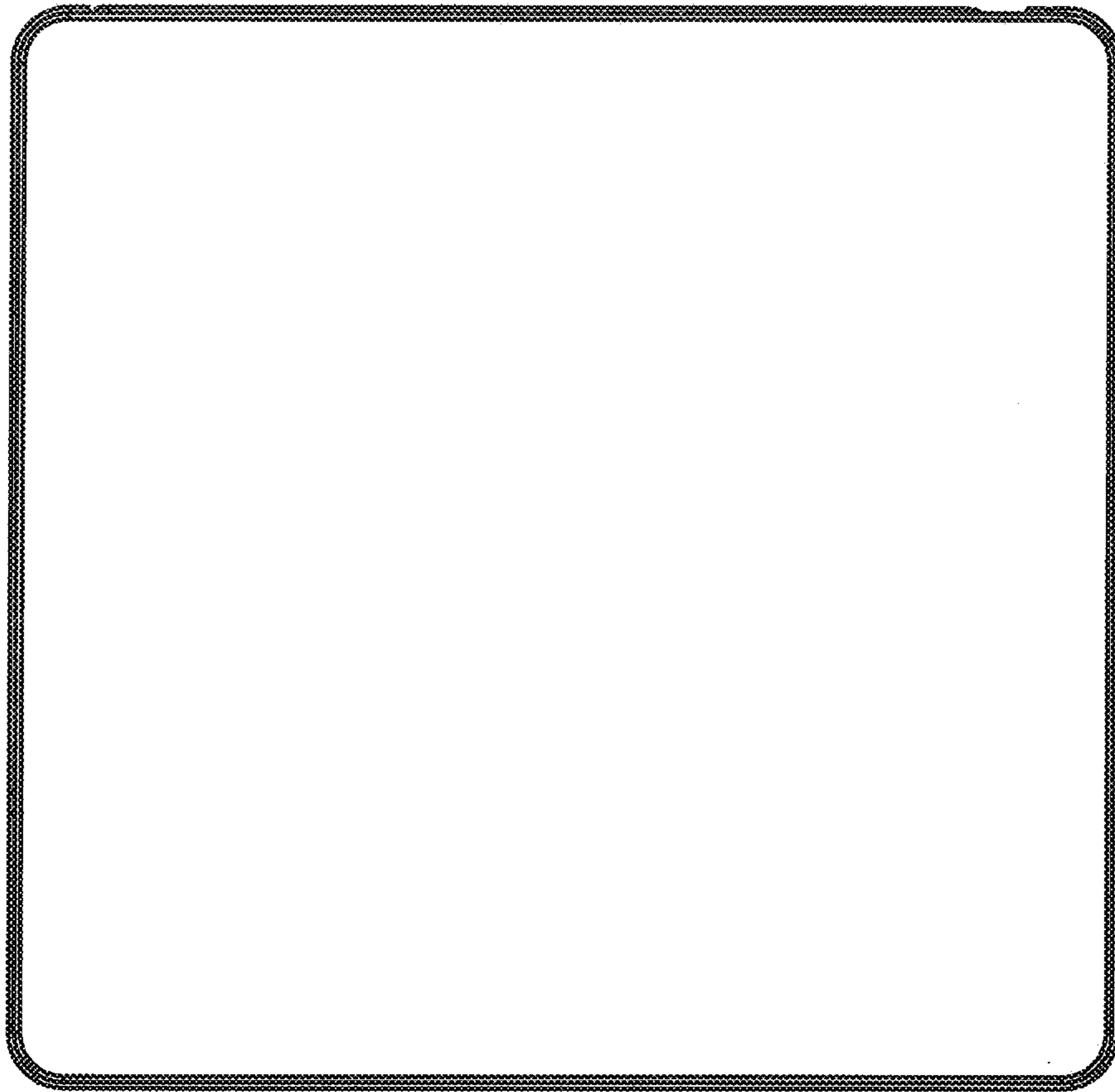


FIGURE 5



FIGURE 6





FIGURE 7

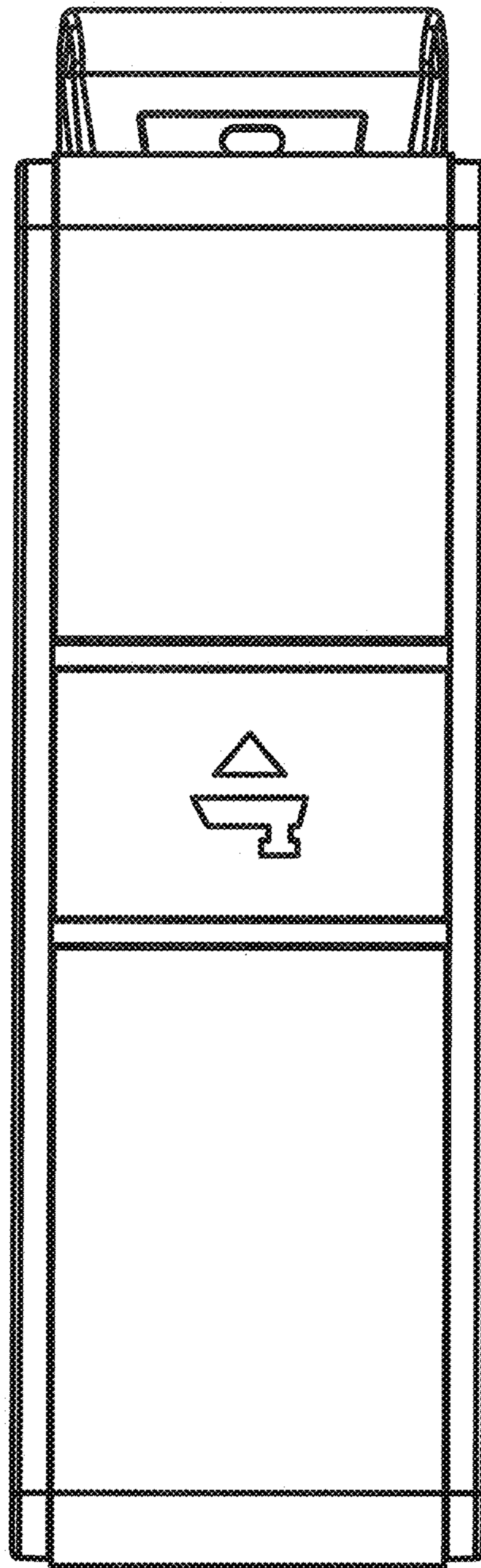


FIGURE 8

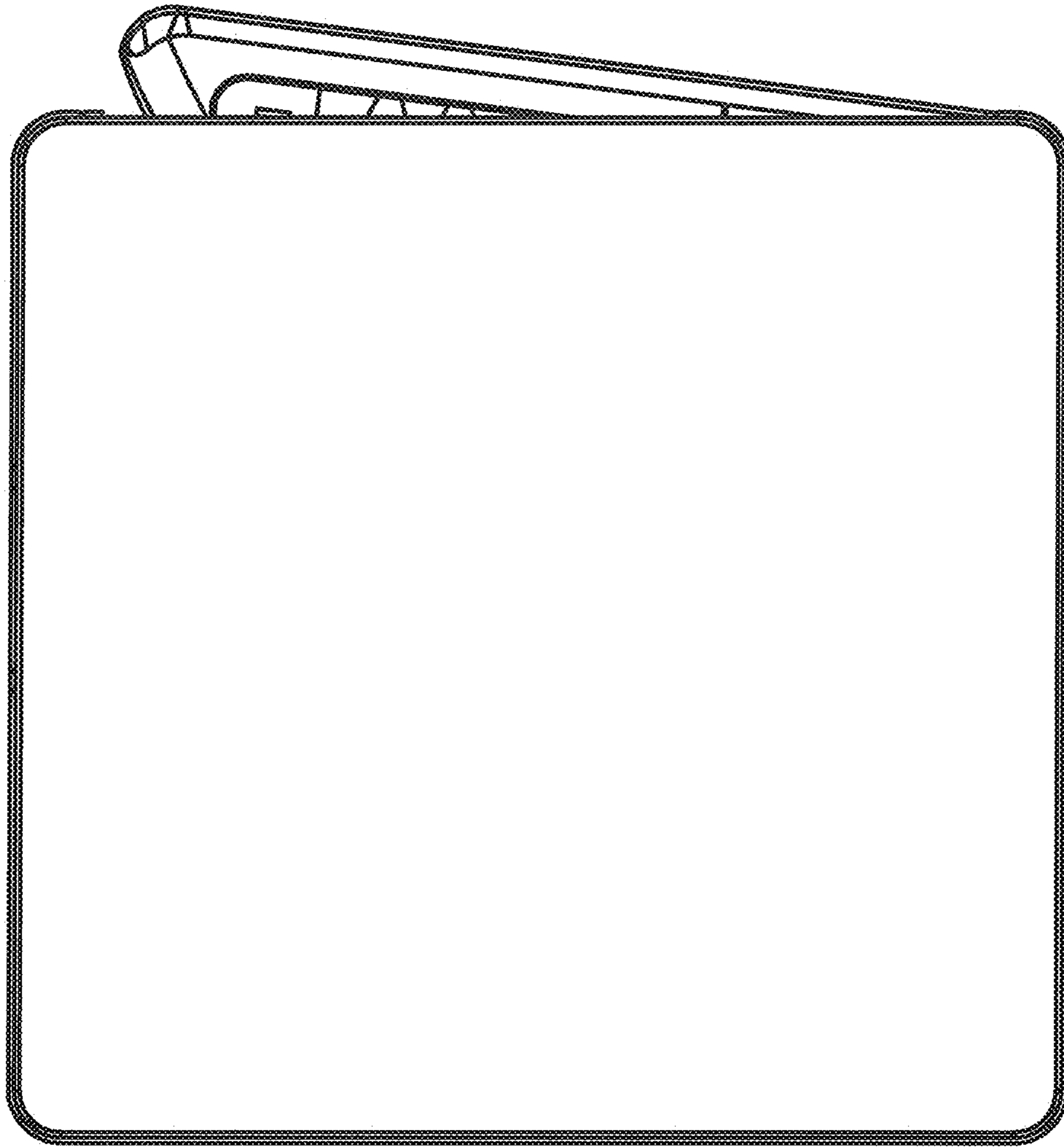


FIGURE 9

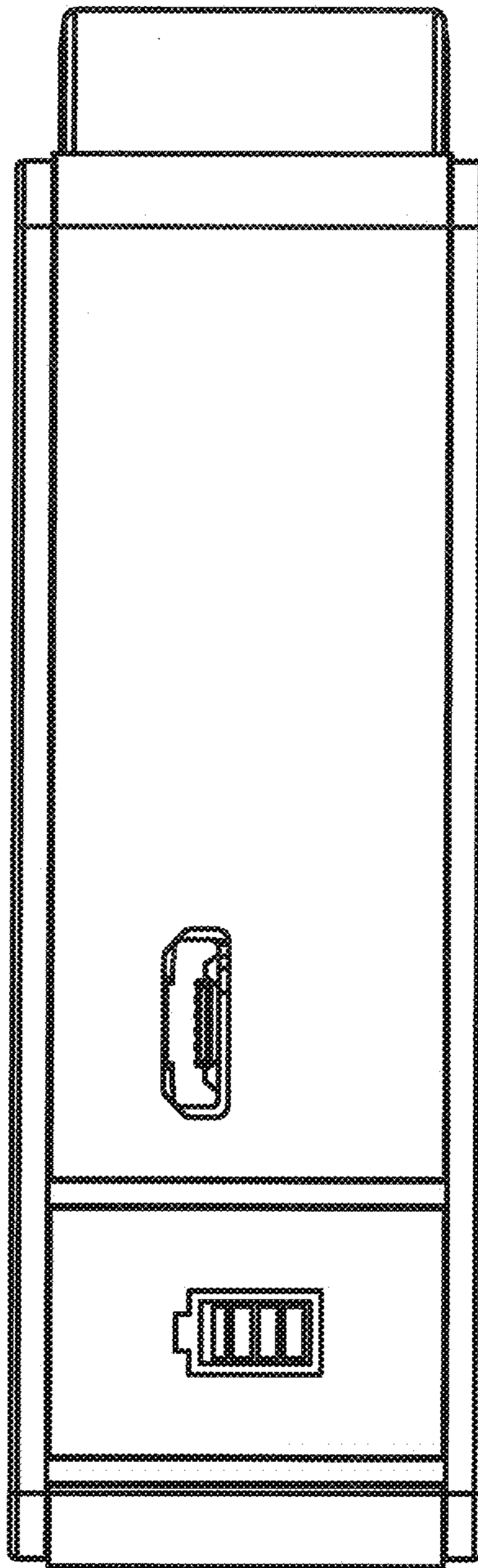


FIGURE 10

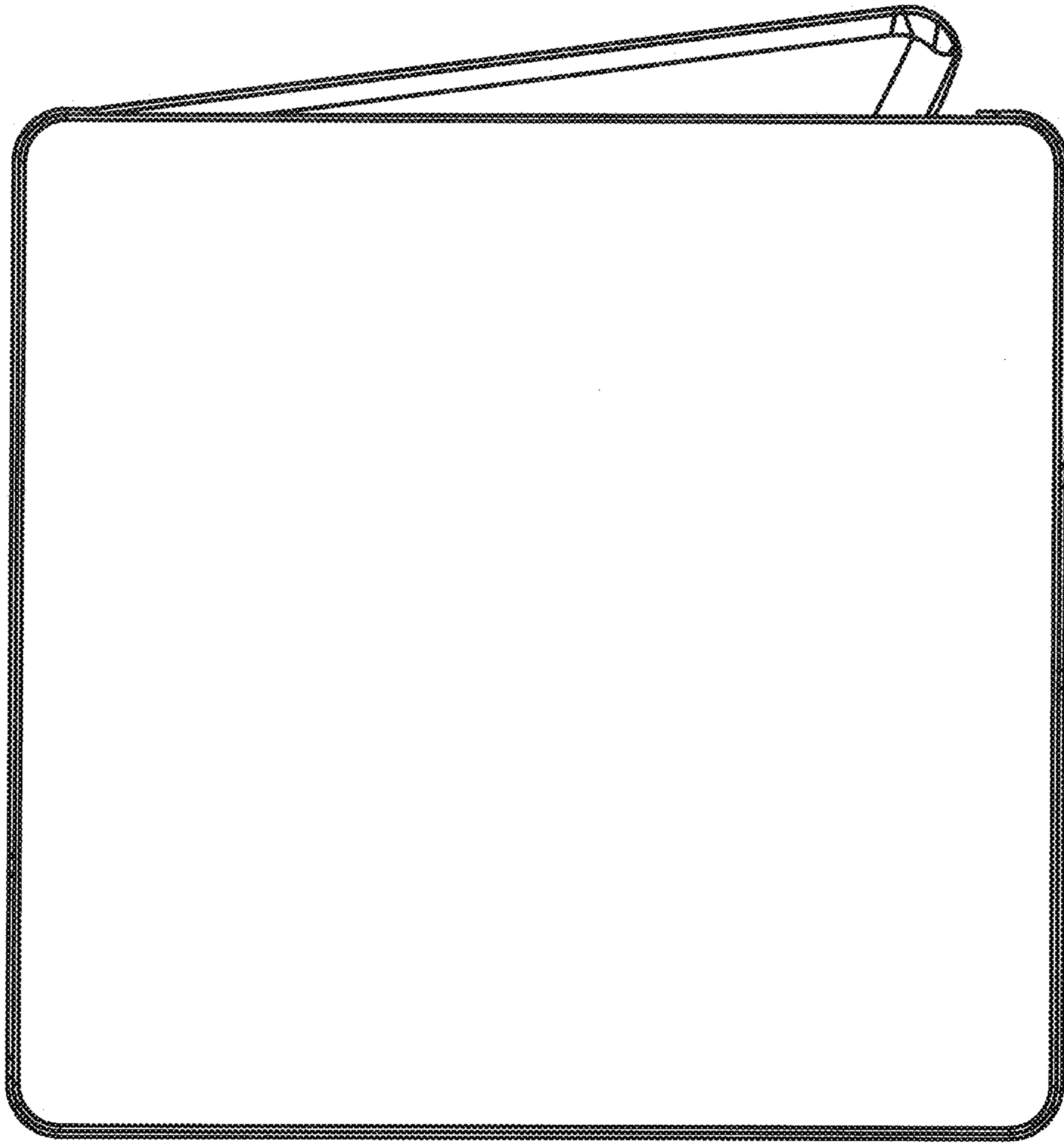


FIGURE 11



FIGURE 12

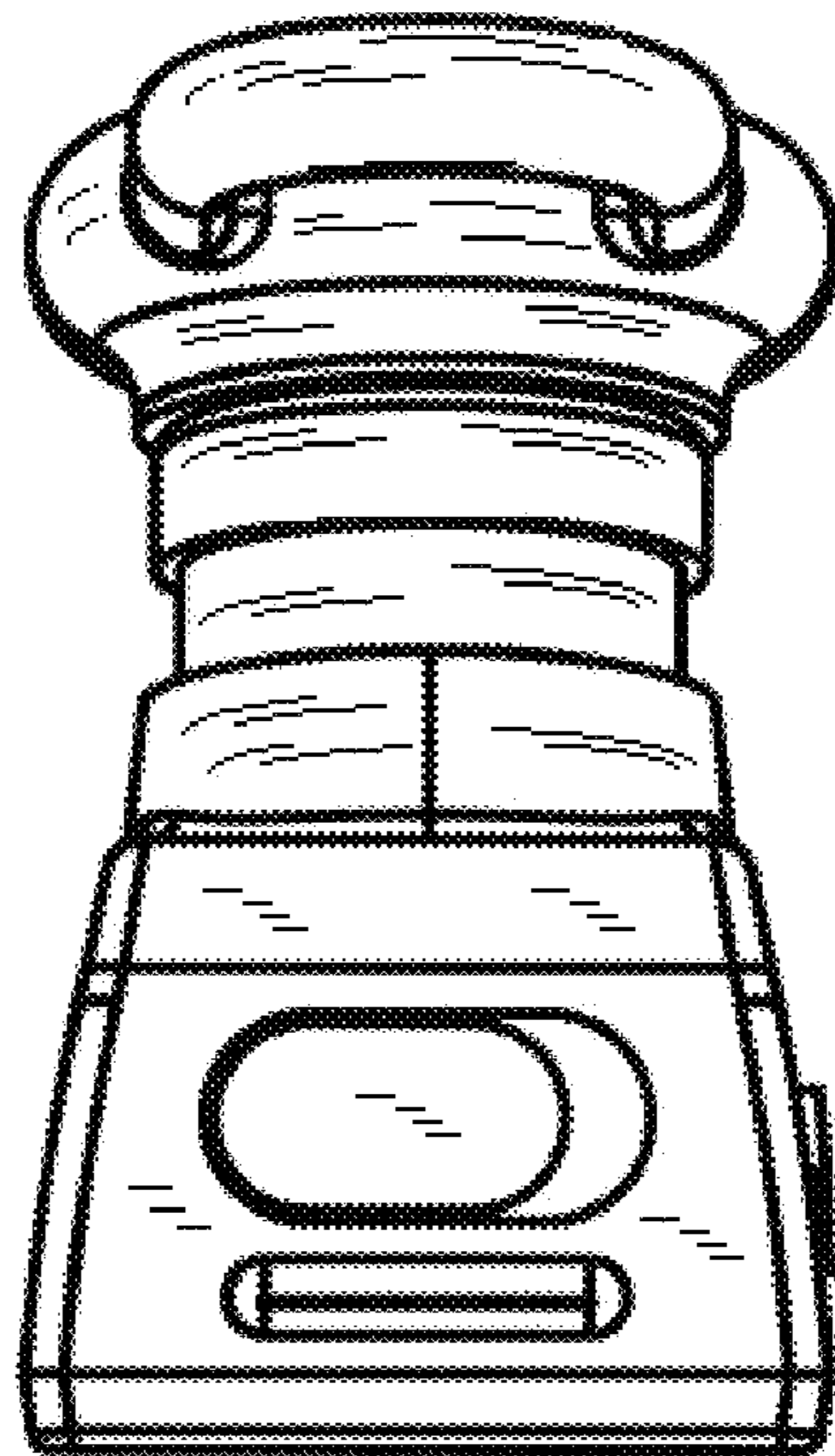


FIGURE 13

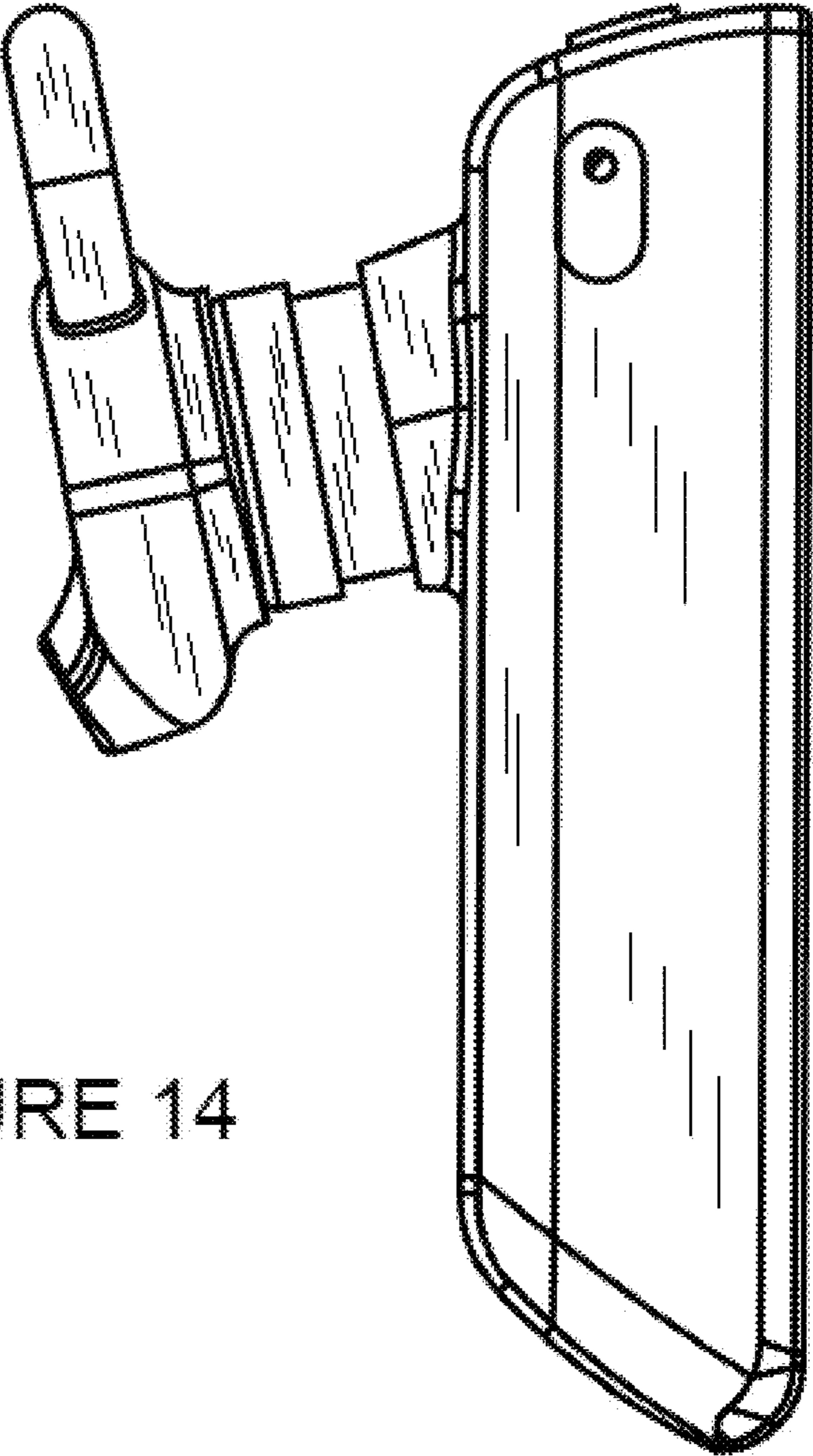


FIGURE 14



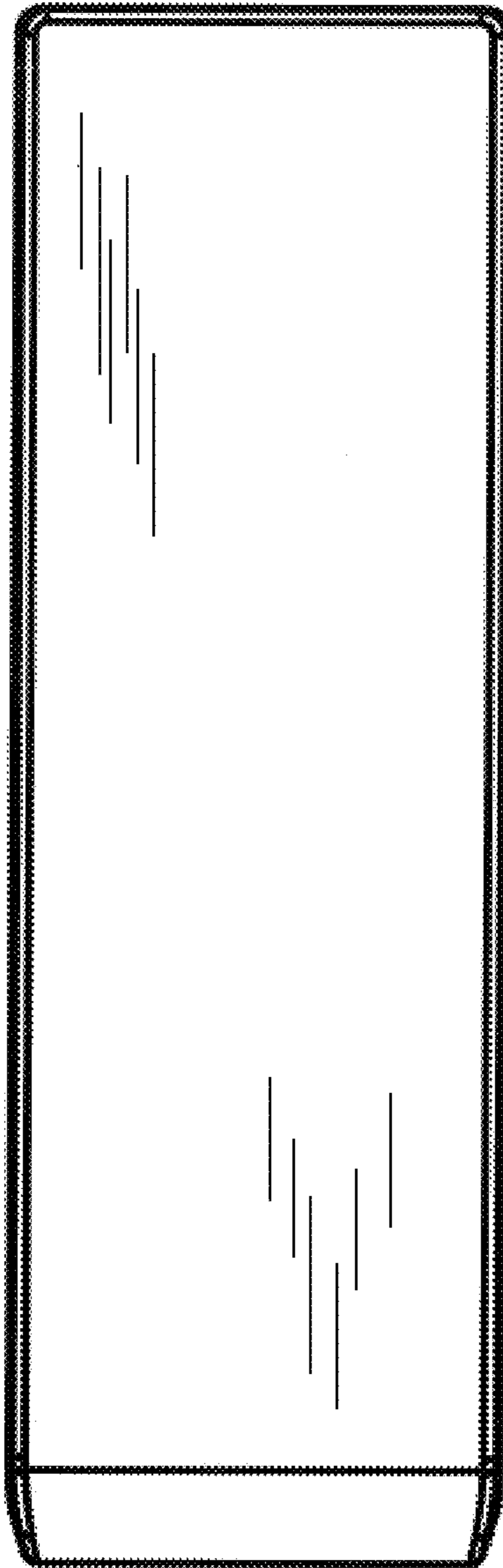


FIGURE 15

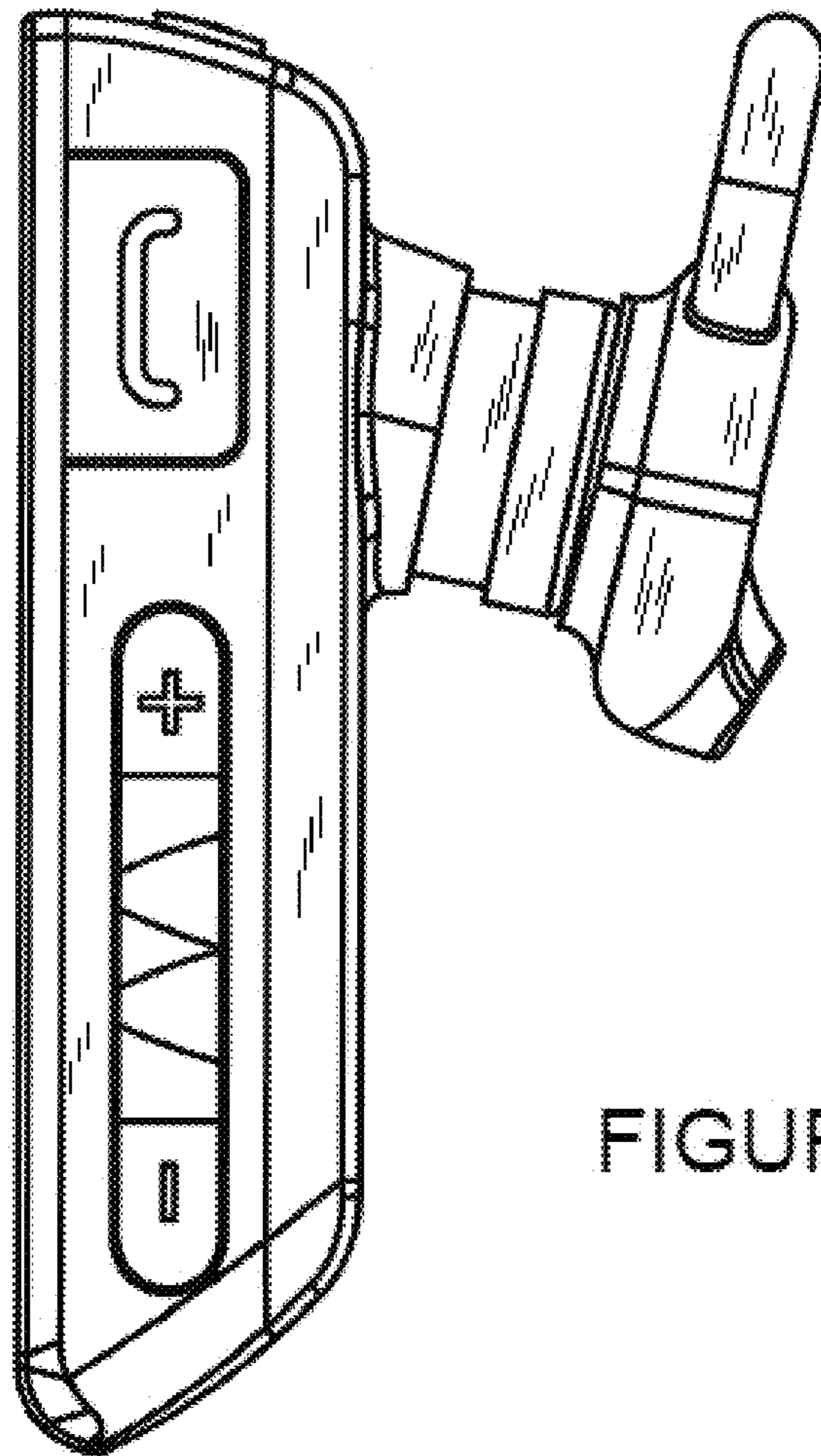


FIGURE 16

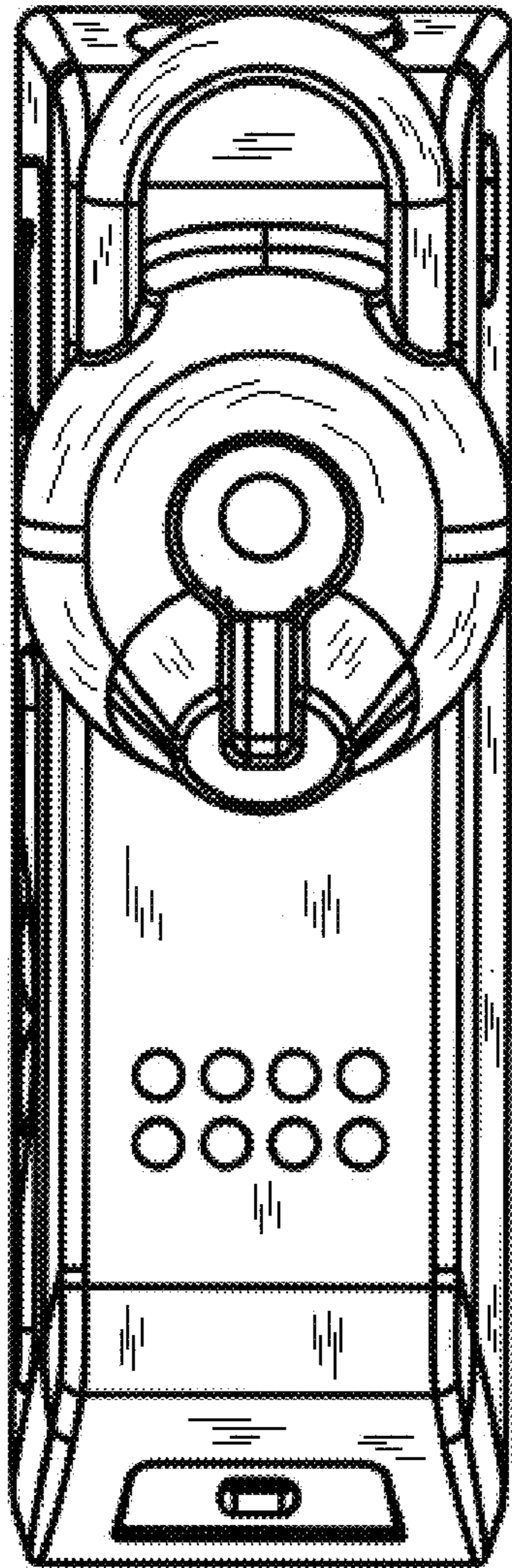


FIGURE 17

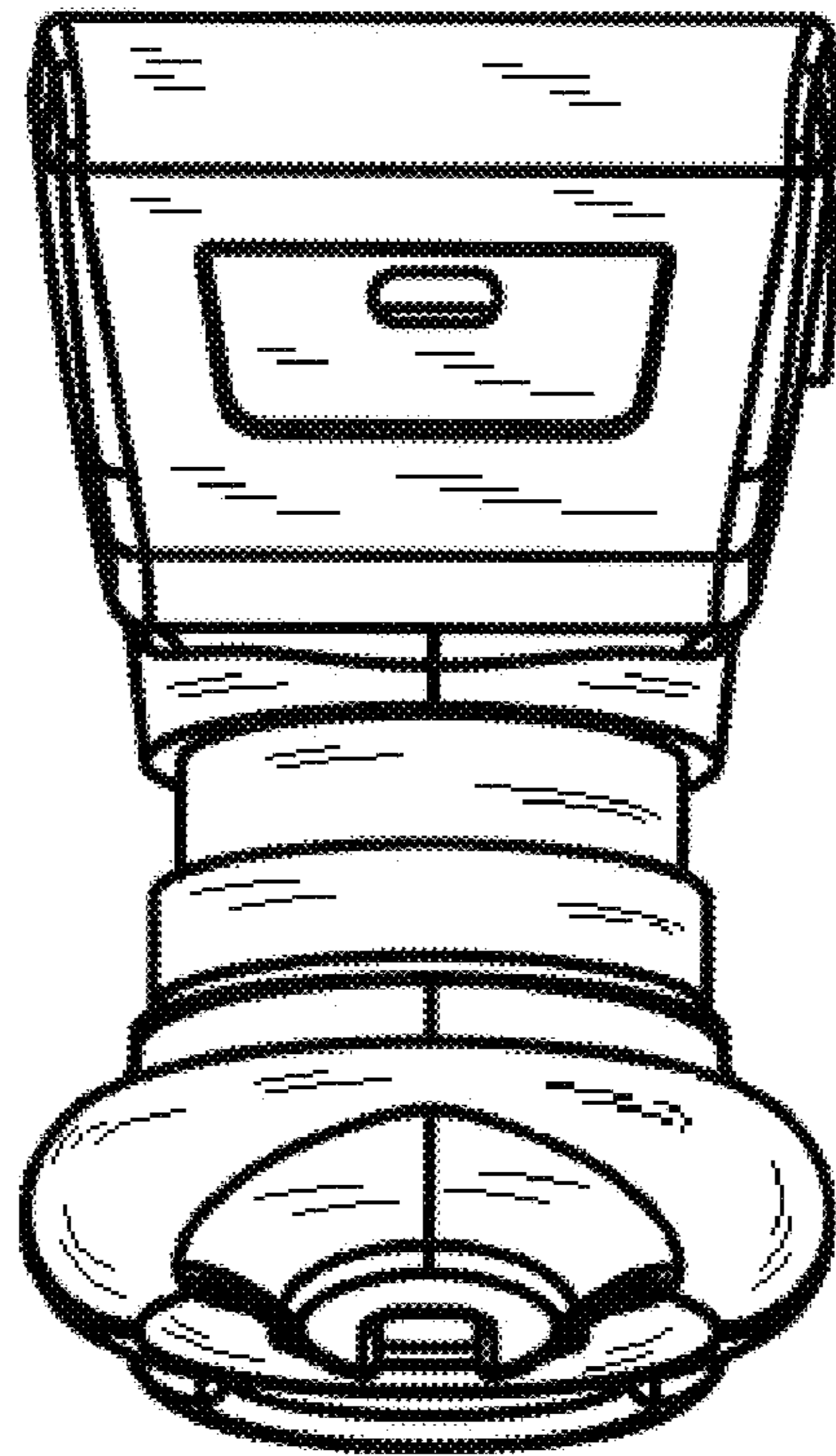


FIGURE 18