



US00D689843S

(12) **United States Design Patent**
Lee

(10) **Patent No.:** **US D689,843 S**

(45) **Date of Patent:** **** *Sep. 17, 2013**

(54) **HEADPHONES**

(75) Inventor: **Noel Lee**, Las Vegas, NV (US)

(73) Assignee: **Monster, LLC**, Las Vegas, NV (US)

(*) Notice: This patent is subject to a terminal disclaimer.

(**) Term: **14 Years**

(21) Appl. No.: **29/410,551**

(22) Filed: **Jan. 9, 2012**

(51) **LOC (9) Cl.** **14-01**

(52) **U.S. Cl.**

USPC **D14/205**

(58) **Field of Classification Search**

USPC D14/205; 181/129, 130, 135; 379/430,
379/431; 381/380, 381, 151; 128/866, 867;
455/90.3, 575.1

See application file for complete search history.

(56) **References Cited**

U.S. PATENT DOCUMENTS

D254,183 S *	2/1980	Doodson	D14/205
D430,140 S *	8/2000	Roman	D14/205
D491,163 S *	6/2004	Green	D14/205
7,072,483 B2 *	7/2006	Lenhard-Backhaus	381/383
D552,077 S *	10/2007	Brunner et al.	D14/205
D563,382 S *	3/2008	Wikel	D14/205
D573,581 S *	7/2008	Gondo et al.	D14/205
D594,441 S	6/2009	Lee et al.		
D598,901 S	8/2009	Lee et al.		
D599,781 S	9/2009	Lee et al.		
D600,675 S	9/2009	Lee et al.		
D616,865 S *	6/2010	Marchand et al.	D14/205
D617,769 S *	6/2010	Birger	D14/205
D625,705 S *	10/2010	Ohori et al.	D14/205
D632,668 S *	2/2011	Brunner et al.	D14/205
D634,732 S *	3/2011	Kondo et al.	D14/205
D637,176 S *	5/2011	Brunner et al.	D14/205

D637,182 S	5/2011	Lee et al.		
D639,776 S *	6/2011	Arimoto	D14/205
D641,008 S	7/2011	Lee et al.		
D642,163 S	7/2011	Lee et al.		
D643,417 S	8/2011	Lee et al.		
D643,418 S	8/2011	Lee et al.		
D643,833 S	8/2011	Lee et al.		
D652,406 S *	1/2012	Lee et al.	D14/205
D657,344 S *	4/2012	Brunner et al.	D14/205
D657,776 S *	4/2012	Lee et al.	D14/205
D660,823 S *	5/2012	Hardi et al.	D14/205
D660,824 S *	5/2012	Hardi et al.	D14/205
D662,490 S *	6/2012	McSweyn	D14/205
D663,716 S *	7/2012	Hardi et al.	D14/205
D664,113 S *	7/2012	Katsumata et al.	D14/205
D664,117 S *	7/2012	Tappeiner et al.	D14/205
D666,579 S *	9/2012	Hou	D14/205
D666,992 S *	9/2012	Lee et al.	D14/205
D669,451 S *	10/2012	Tappeiner et al.	D14/205
D671,914 S *	12/2012	Lee et al.	D14/205
D673,136 S *	12/2012	Kelly et al.	D14/205

(Continued)

Primary Examiner — Paula Greene

(74) *Attorney, Agent, or Firm* — LaRiviere, Grubman & Payne, LLP

(57) **CLAIM**

The ornamental design for headphones, as shown and described.

DESCRIPTION

FIG. 1 is a front perspective view of headphones, showing our design;

FIG. 2 is front view thereof;

FIG. 3 is a rear view thereof;

FIG. 4 is a side view thereof;

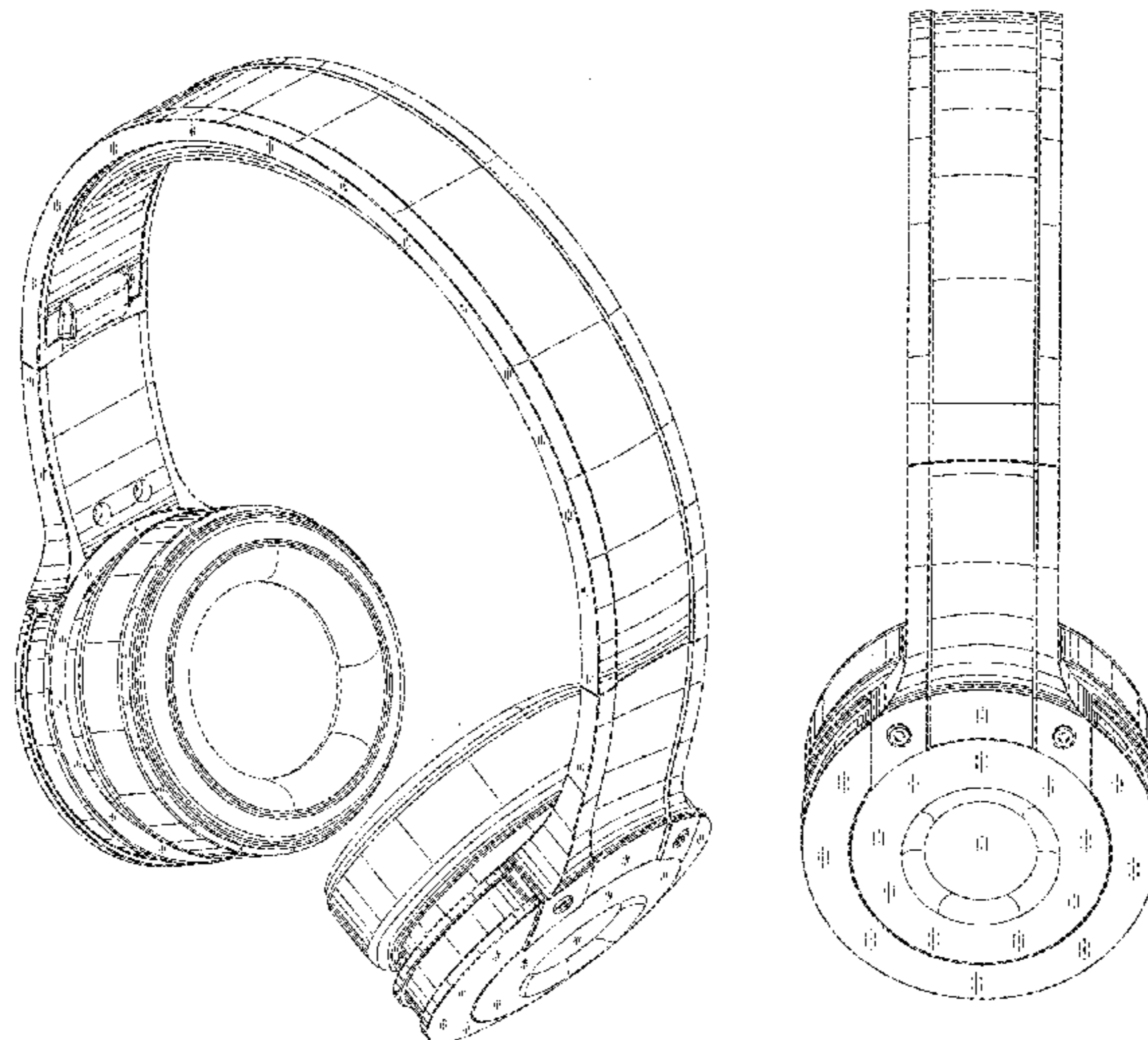
FIG. 5 is an opposing side view thereof;

FIG. 6 is a top view thereof; and,

FIG. 7 is a bottom view thereof.

The broken lines showing the environment are for illustrative purposes only and form no part of the claimed design.

1 Claim, 5 Drawing Sheets



US D689,843 S

Page 2

(56)

References Cited

D677,242 S * 3/2013 Lee et al. D14/205
D677,647 S * 3/2013 Lee et al. D14/205

U.S. PATENT DOCUMENTS

D673,518 S * 1/2013 Tan D14/205
D673,520 S * 1/2013 Tan D14/205 * cited by examiner

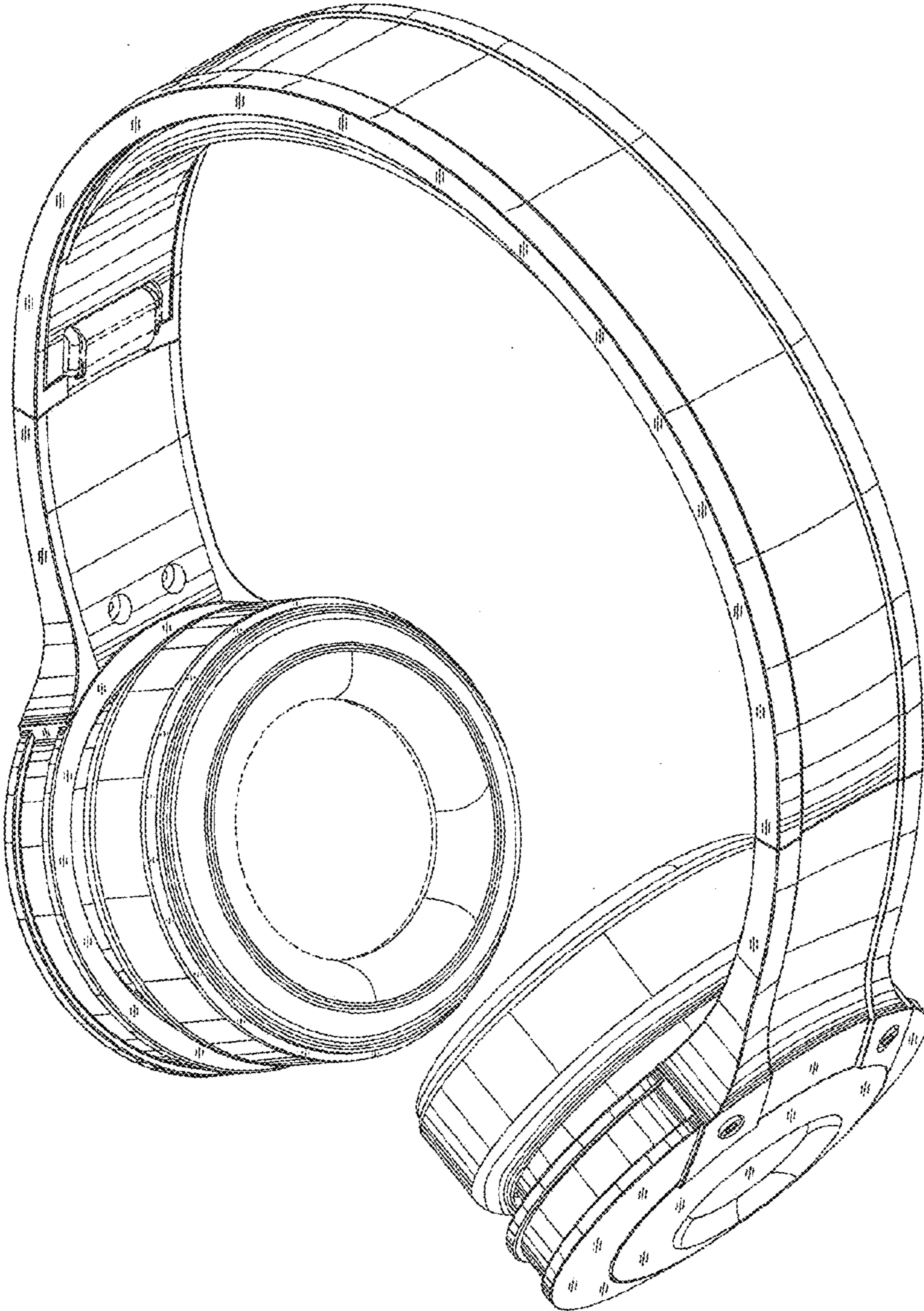


FIG. 1

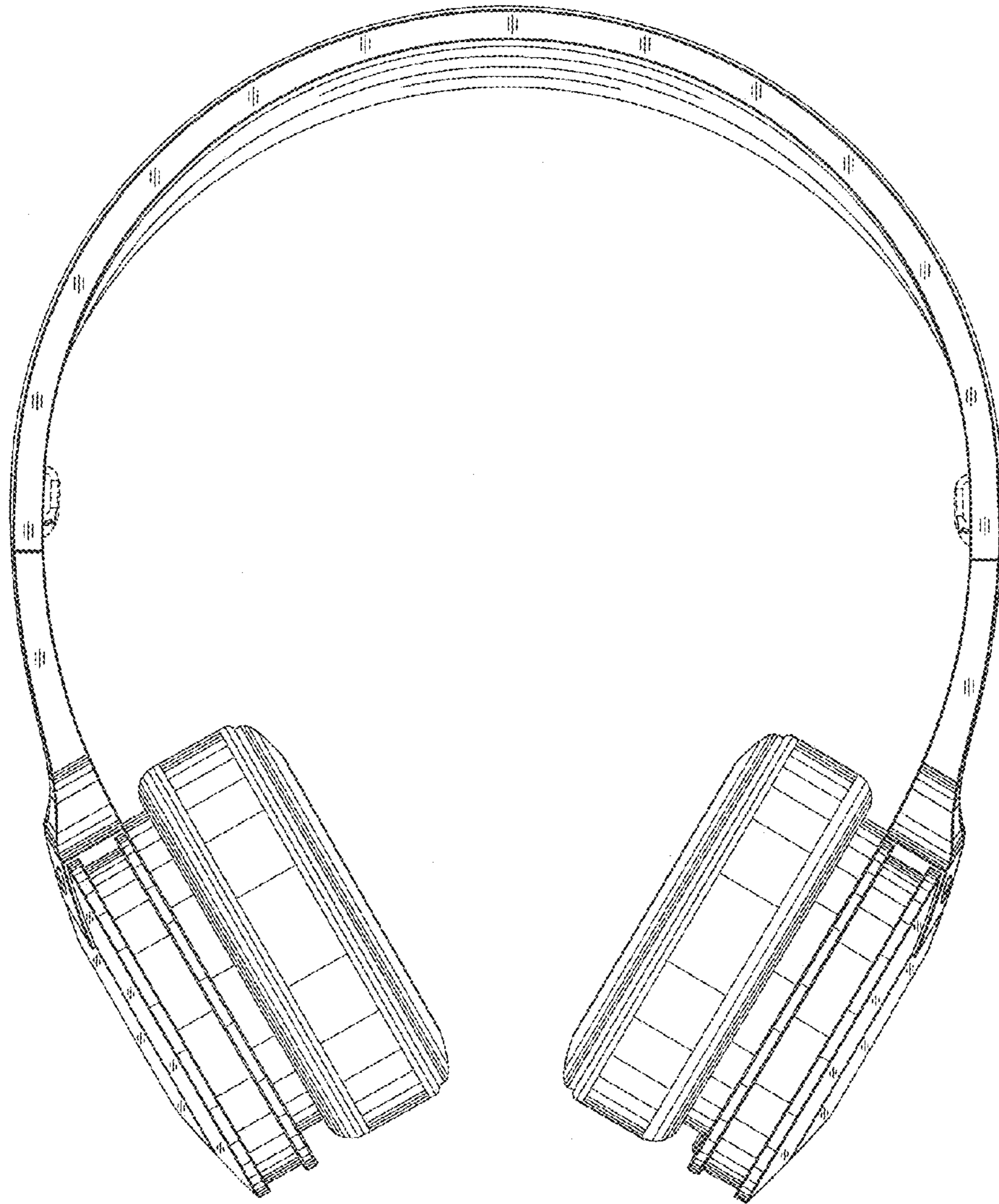


FIG. 2



FIG. 3

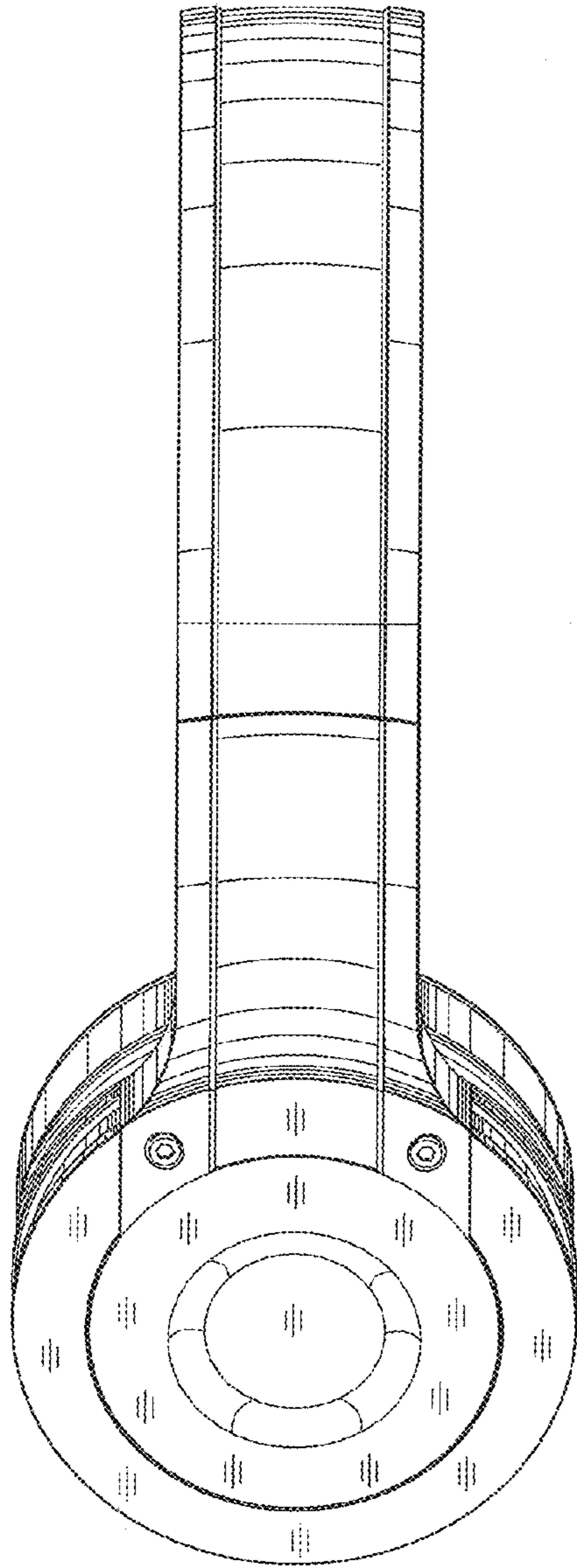


FIG. 4

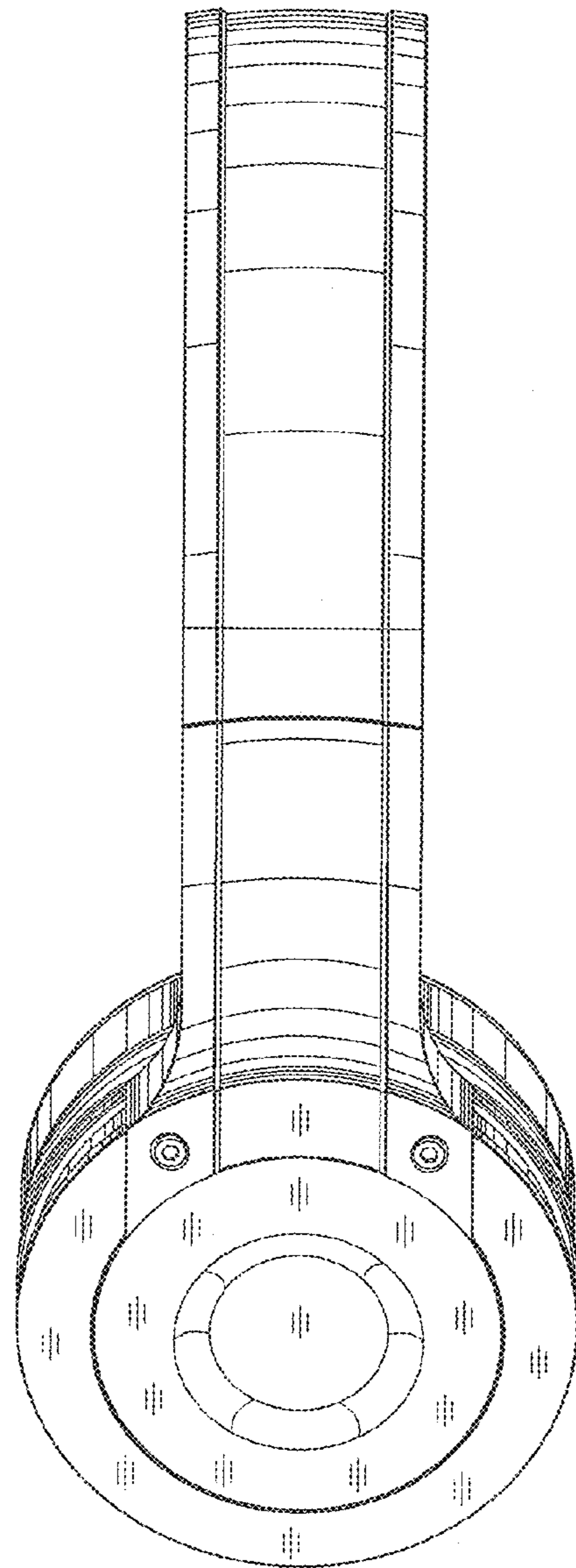


FIG. 5

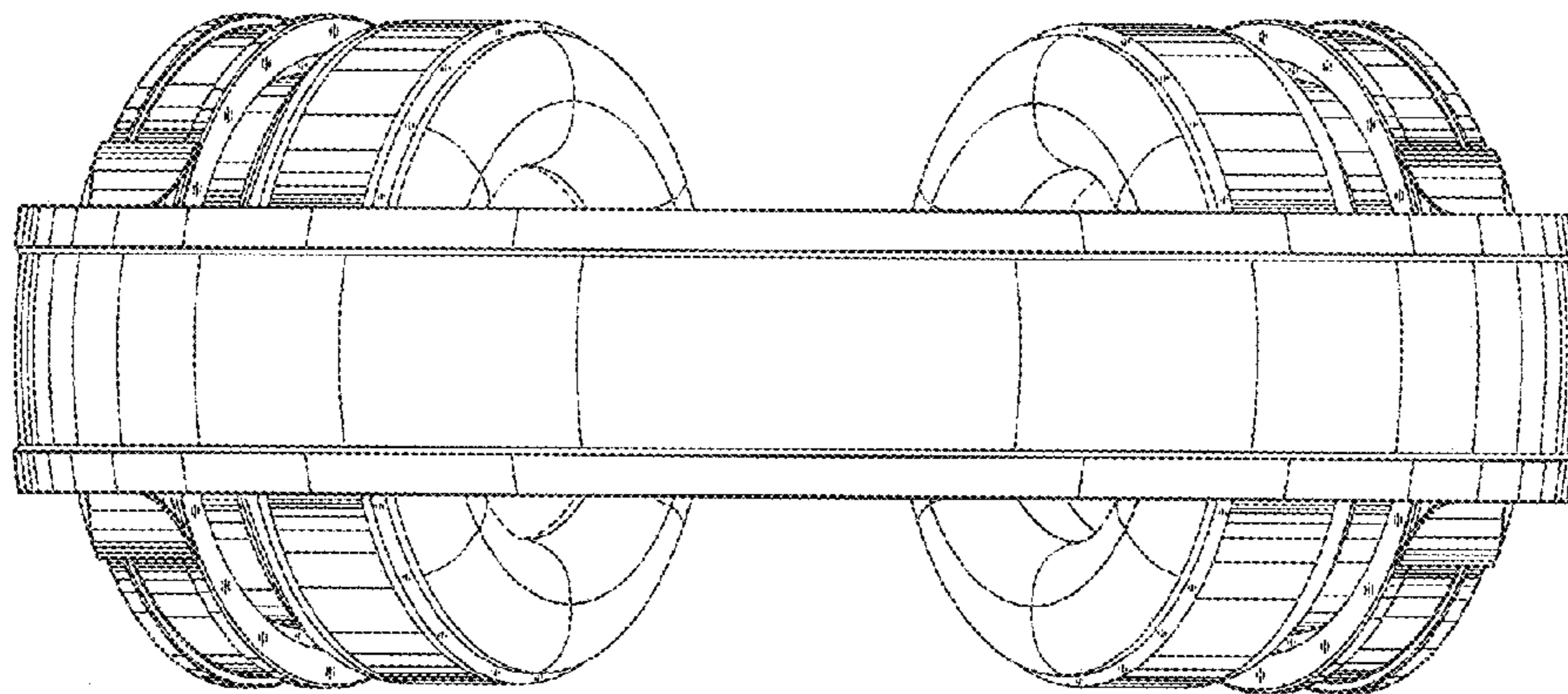


FIG. 6

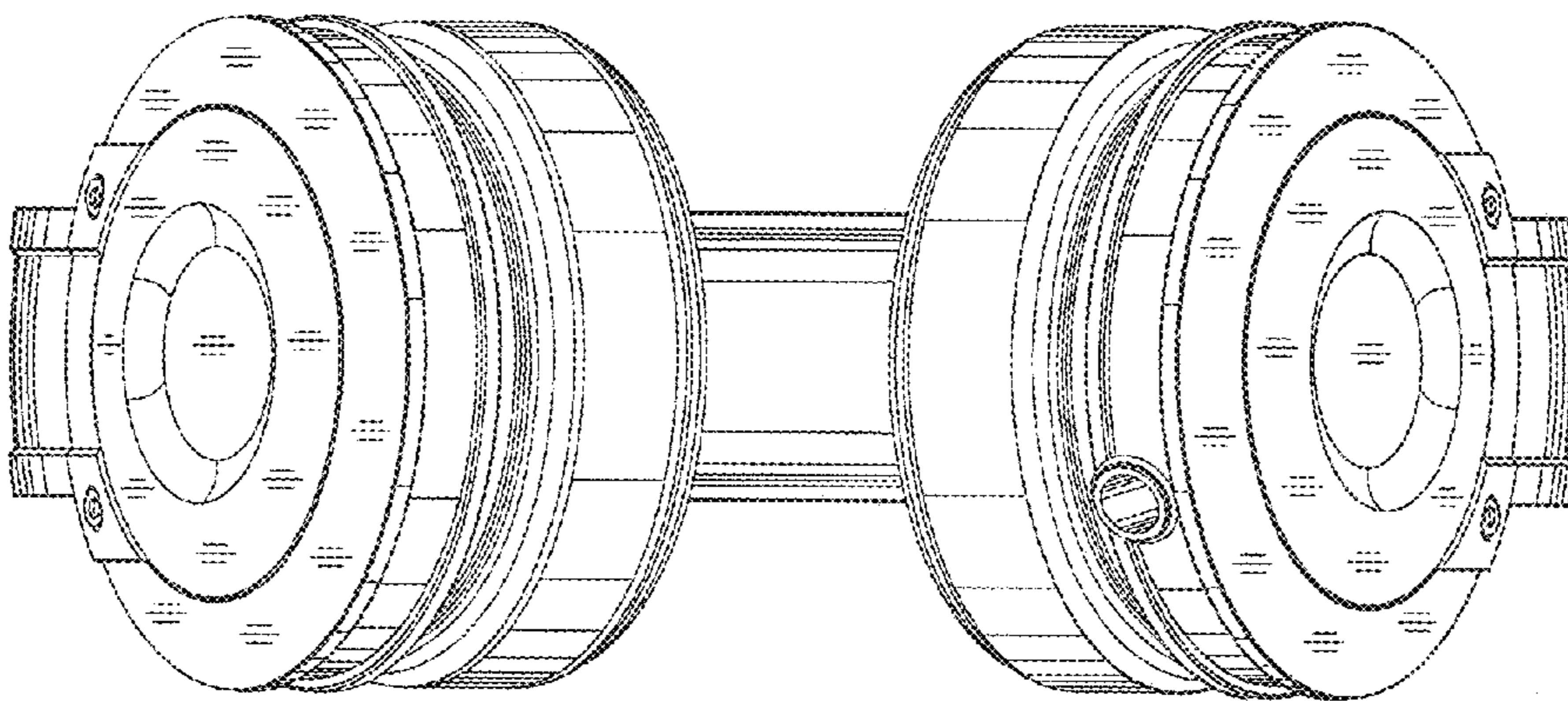


FIG. 7