



US00D689831S

(12) **United States Design Patent**
Taniguchi et al.

(10) **Patent No.:** **US D689,831 S**

(45) **Date of Patent:** **** Sep. 17, 2013**

(54) **ADHESIVE TAPE FOR SEMICONDUCTOR MANUFACTURING**

(75) Inventors: **Kouhei Taniguchi**, Ichihara (JP);
Takayuki Matsuzaki, Ichihara (JP);
Shinya Katou, Ichihara (JP); **Kouji Komorida**, Ichihara (JP); **Michio Mashino**, Ichihara (JP); **Tatsuya Sakuta**, Ichihara (JP); **Rie Katou**, Ichihara (JP)

(73) Assignee: **Hitachi Chemical Company, Ltd.**, Tokyo (JP)

(**) Term: **14 Years**

(21) Appl. No.: **29/413,548**

(22) Filed: **Feb. 16, 2012**

Related U.S. Application Data

(63) Continuation of application No. 29/389,790, filed on Apr. 15, 2011, now Pat. No. Des. 664,511.

(30) **Foreign Application Priority Data**

Oct. 15, 2010 (JP) D2010-024762

(51) **LOC (9) Cl.** **13-03**

(52) **U.S. Cl.**
USPC **D13/180**

(58) **Field of Classification Search**
USPC D13/182; 156/235, 248; 428/343,
428/345, 353, 355 R; 438/114, 455, 460,
438/463

See application file for complete search history.

(56) **References Cited**

U.S. PATENT DOCUMENTS

D194,932 S 4/1963 Masuda
D228,439 S 9/1973 Mercadante

(Continued)

FOREIGN PATENT DOCUMENTS

JP D1315621 11/2007

OTHER PUBLICATIONS

Taniguchi et al., Design U.S. Appl. No. 29/389,788, filed Apr. 15, 2011.

(Continued)

Primary Examiner — Selina Sikder

(74) *Attorney, Agent, or Firm* — Miles & Stockbridge P.C.

(57) **CLAIM**

The ornamental design for an adhesive tape for semiconductor manufacturing, as shown and described.

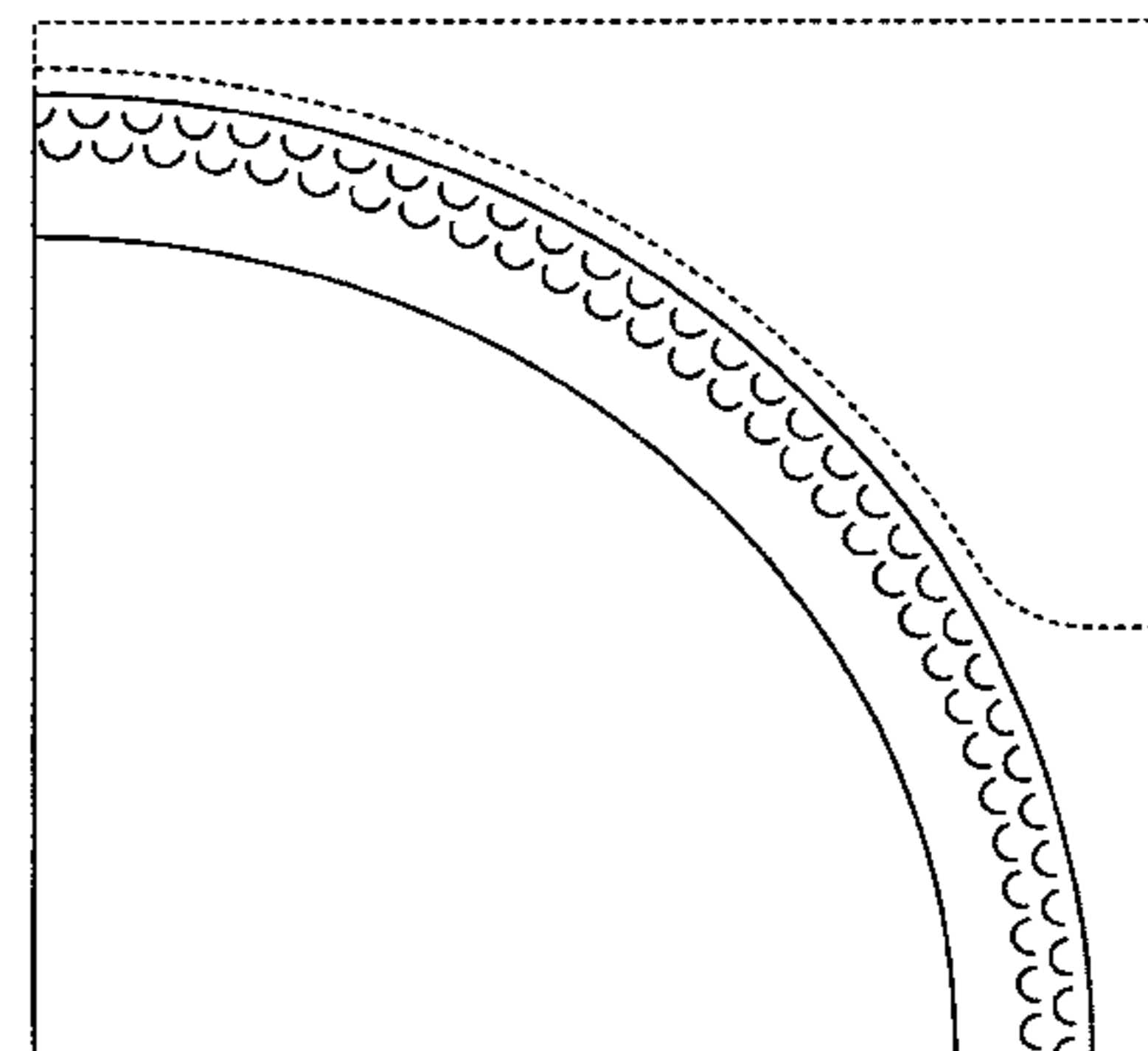
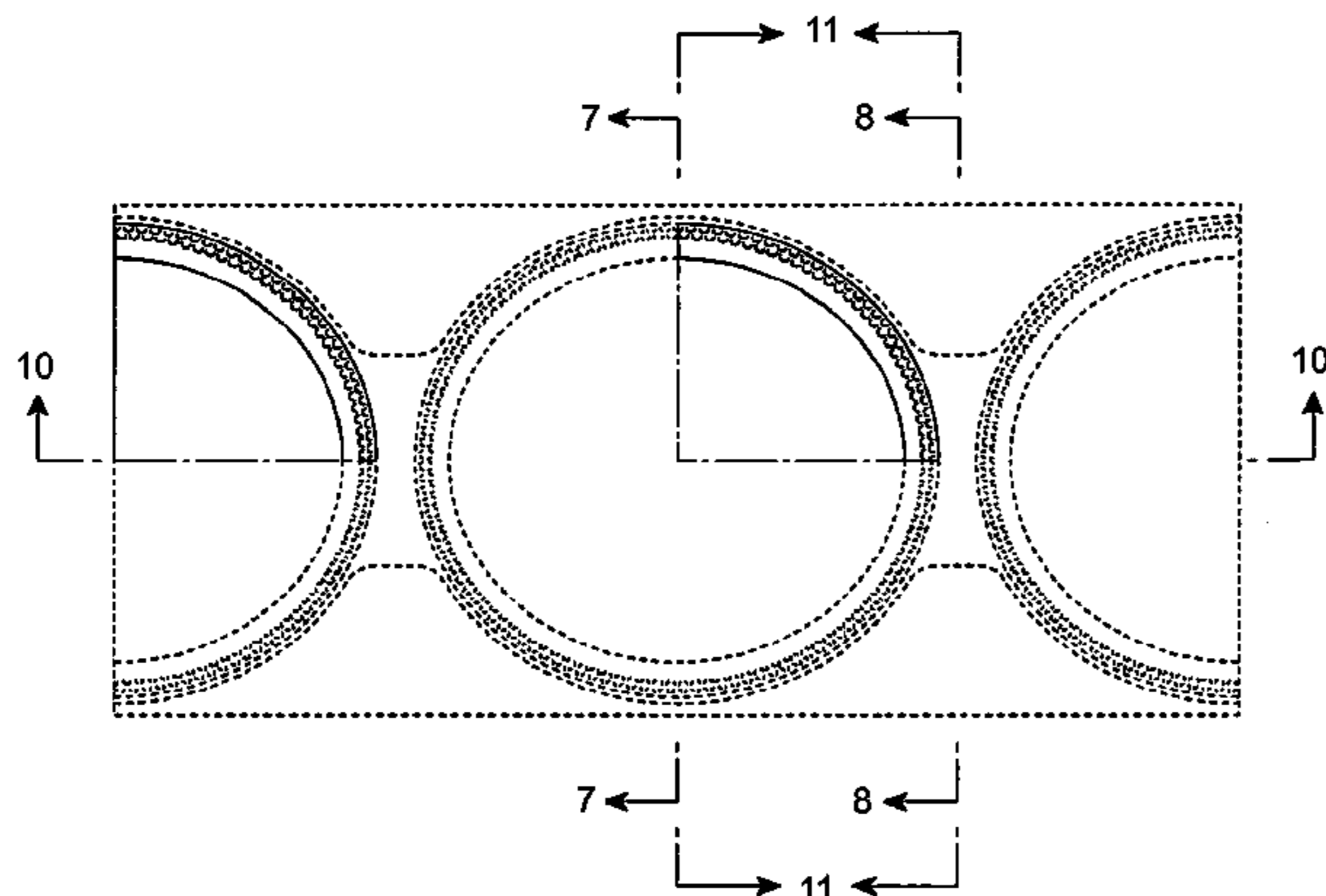
DESCRIPTION

FIG. 1 is a top plan view of an adhesive tape for semiconductor manufacturing incorporating our new design; FIG. 2 is a bottom plan view of the adhesive tape of FIG. 1; FIG. 3 is a rear side view of the adhesive tape of FIG. 1; FIG. 4 is a front side view of the adhesive tape of FIG. 1; FIG. 5 is a right side view of the adhesive tape of FIG. 1; FIG. 6 is a left side view of the adhesive tape of FIG. 1; FIG. 7 is a cross-sectional view taken at line 7-7 in FIG. 1; FIG. 8 is a cross-sectional view taken at line 8-8 in FIG. 1; FIG. 9 is an enlarged view of portion 9-9 in FIG. 7; and, FIG. 10 is an enlarged view of portions 10-10, 11-11 in FIG. 1.

The dashed line showing of the adhesive tape is for purposes of illustrating portions of the adhesive tape and forms no part of the claimed design.

The broken lines having alternating long and short segments define bounds of the claimed design and form no part thereof.

1 Claim, 10 Drawing Sheets



(56)

References Cited

U.S. PATENT DOCUMENTS

D287,683 S 1/1987 Unger
D392,330 S 3/1998 Sucese
D395,641 S 6/1998 Gaete
D480,811 S 10/2003 Horhota et al.
D490,470 S 5/2004 Fujii
D490,854 S 6/2004 Fujii
D490,855 S 6/2004 Fujii
D491,226 S 6/2004 Fujii
D491,227 S 6/2004 Fujii
D491,228 S 6/2004 Fujii
D491,229 S 6/2004 Fujii
D492,354 S 6/2004 Fujii
D493,838 S 8/2004 Fujii
6,864,295 B2 3/2005 Mitarai
D529,096 S 9/2006 Jordan
D544,607 S 6/2007 Henry et al.
D589,473 S 3/2009 Takamoto et al.
D621,051 S 8/2010 Kase et al.
D621,803 S 8/2010 Maruyama et al.
D628,170 S 11/2010 Maruyama et al.

D656,909 S * 4/2012 Taniguchi et al. D13/182
D656,910 S * 4/2012 Taniguchi et al. D13/182
D664,511 S * 7/2012 Taniguchi et al. D13/182
D664,512 S * 7/2012 Taniguchi et al. D13/182
2007/0241436 A1 10/2007 Ookubo et al.
2010/0080989 A1 4/2010 Asai et al.

OTHER PUBLICATIONS

Taniguchi et al., Design U.S. Appl. No. 29/389,794, filed Apr. 15, 2011.
Taniguchi et al., Design U.S. Appl. No. 29/389,797, filed Apr. 15, 2011.
Taniguchi et al., Design U.S. Appl. No. 29/413,509, filed Feb. 16, 2012.
Taniguchi et al., Design U.S. Appl. No. 29/413,539, filed Feb. 16, 2012.
Taniguchi et al., Design U.S. Appl. No. 29/413,518, filed Feb. 16, 2012.
Office Action dated Jan. 18, 2013, in Design U.S. Appl. No. 29/413,539.

* cited by examiner

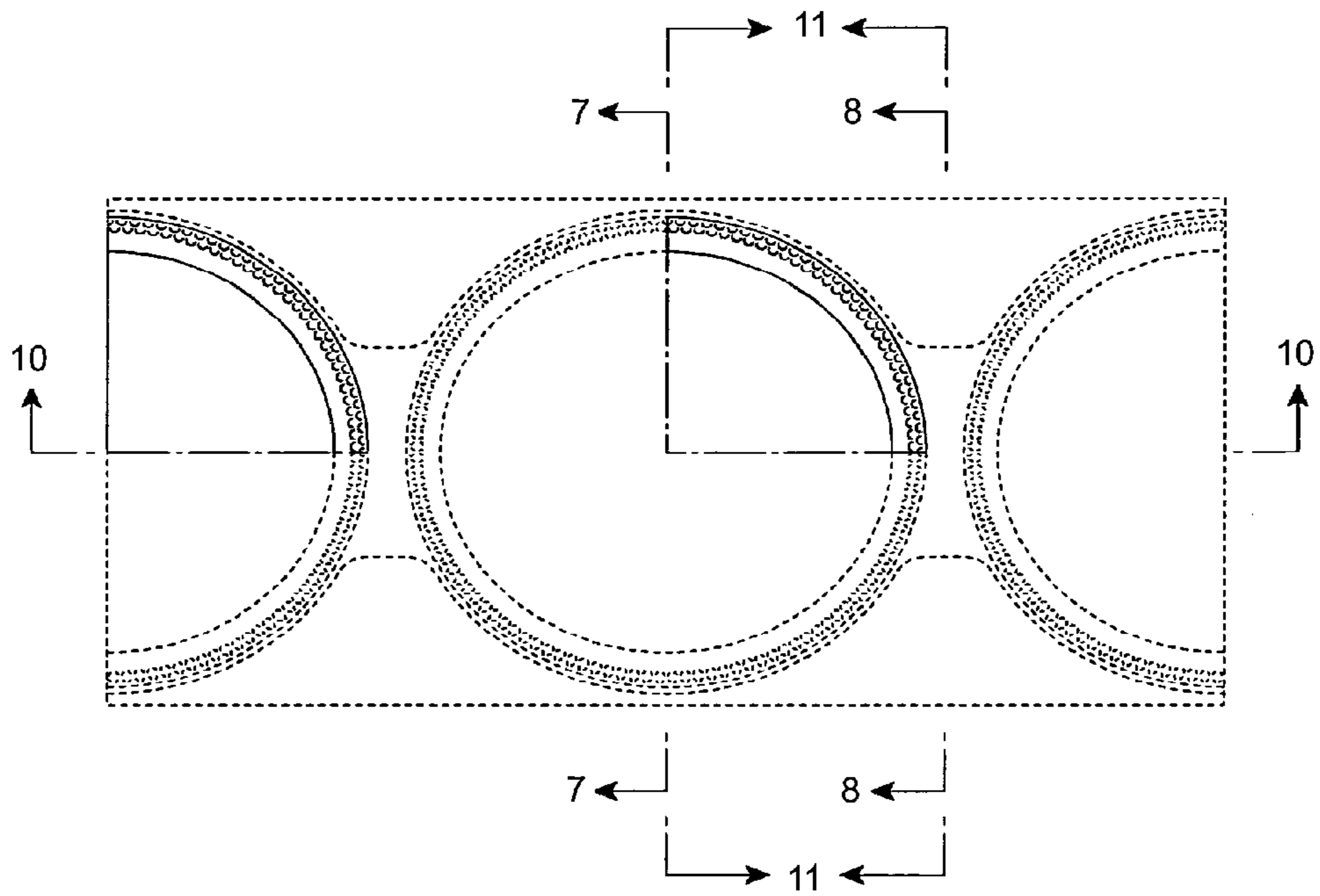


FIG. 1

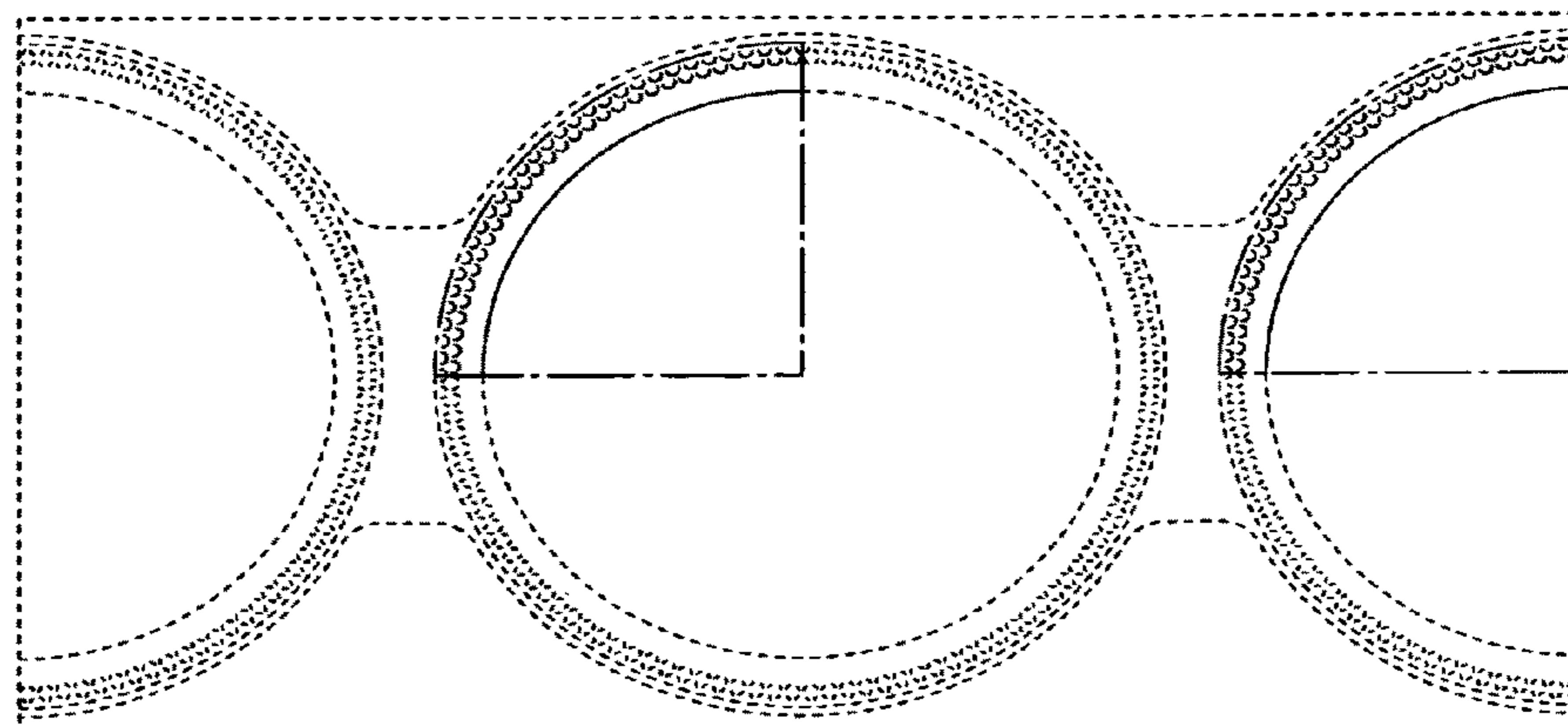


FIG. 2

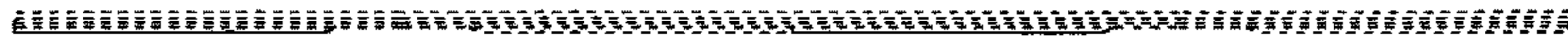


FIG. 3

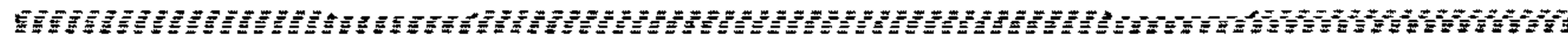


FIG. 4

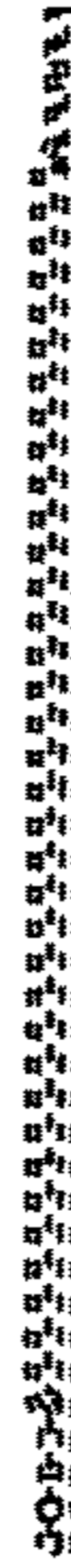


FIG. 5



FIG. 6

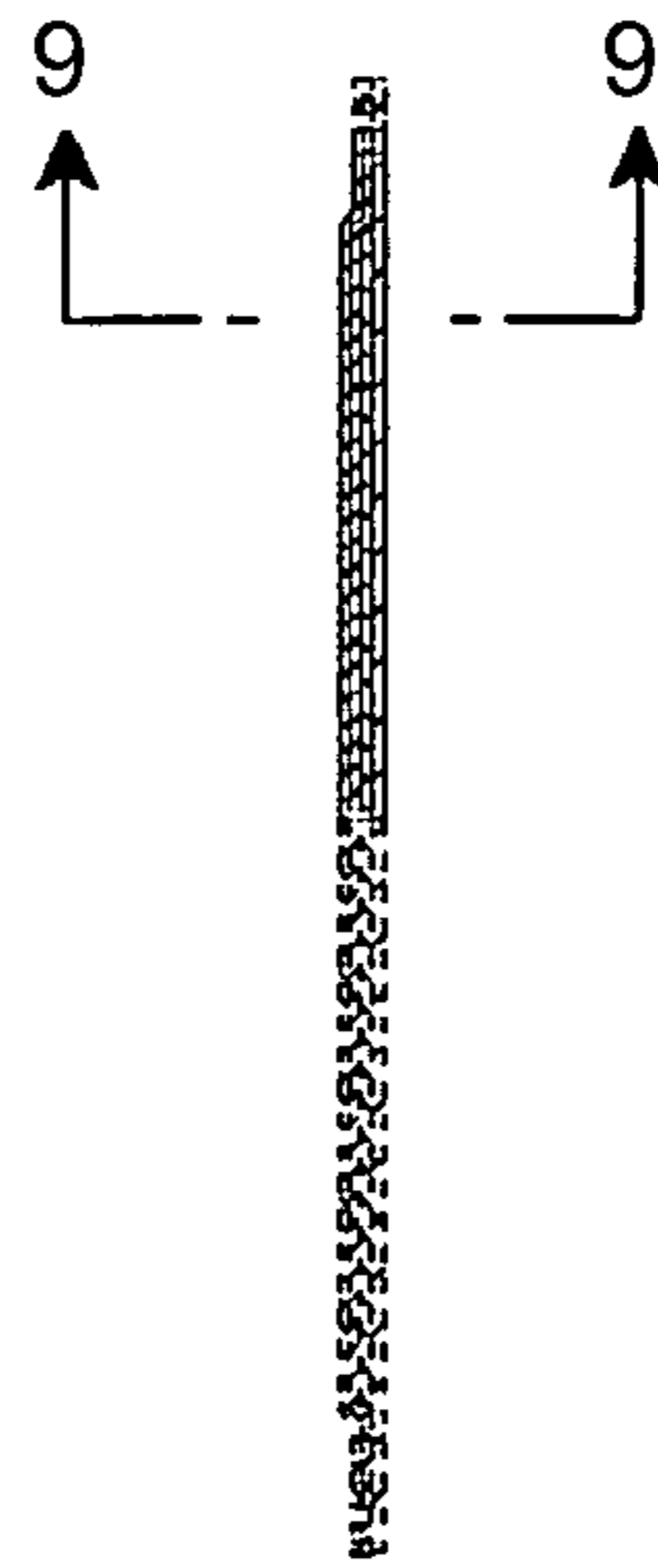


FIG. 7

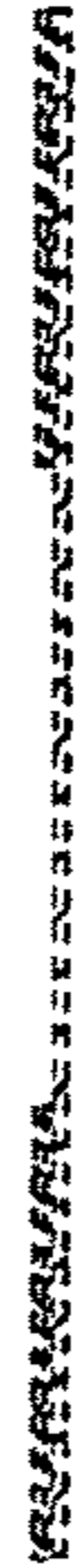


FIG. 8

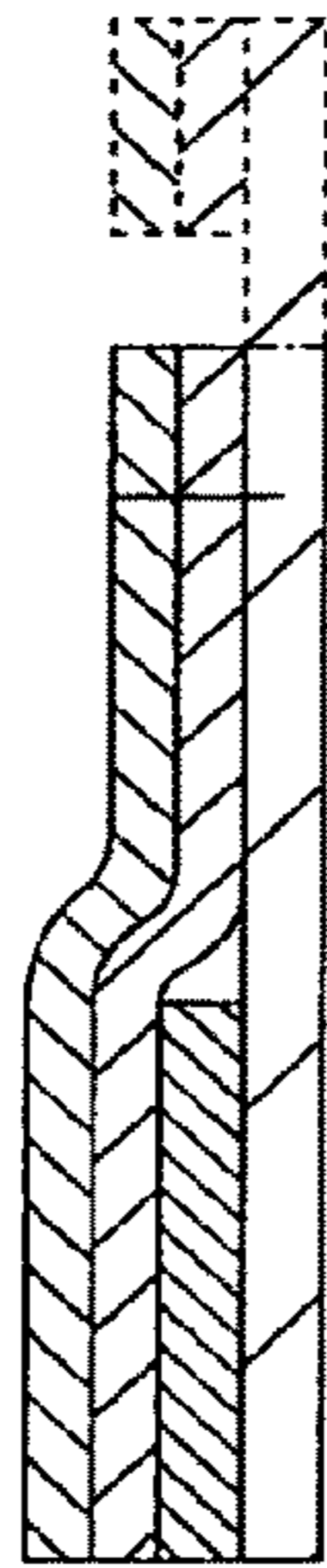


FIG. 9

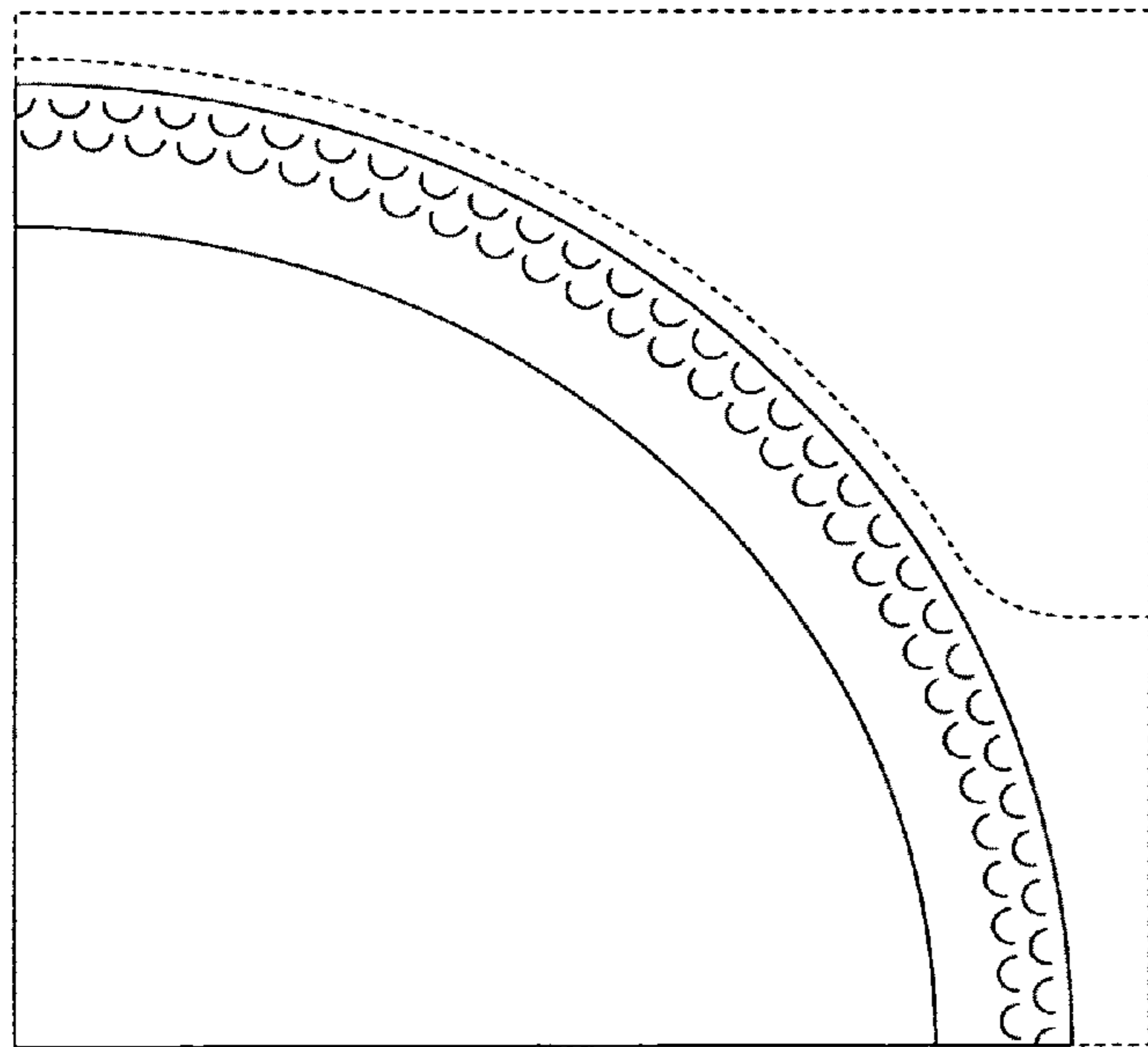


FIG. 10