

US00D689830S

(12) **United States Design Patent**
Bergmann et al.

(10) **Patent No.:** **US D689,830 S**

(45) **Date of Patent:** **** *Sep. 17, 2013**

(54) **LIGHT EMITTING DIODE**

(75) Inventors: **Michael Bergmann**, Chapel Hill, NC (US); **Kevin Haberern**, Cary, NC (US); **Matthew Donofrio**, Raleigh, NC (US); **Christopher D. Williams**, Morrisville, NC (US); **Kevin Shawne Schneider**, Cary, NC (US)

(73) Assignee: **Cree, Inc.**, Durham, NC (US)

(*) Notice: This patent is subject to a terminal disclaimer.

(**) Term: **14 Years**

(21) Appl. No.: **29/383,908**

(22) Filed: **Jan. 24, 2011**

Related U.S. Application Data

(63) Continuation-in-part of application No. 13/011,417, filed on Jan. 21, 2011.

(51) **LOC (9) Cl.** **13-03**

(52) **U.S. Cl.**
USPC **D13/180**

(58) **Field of Classification Search**
USPC D13/180; D1/100, 121, 127; D3/314; D9/430, 431, 432; D25/113, 118; D26/1, D26/2; 257/79, 80, 81, 88, 89, 95, 98, 99, 257/100, E33.058; 313/483, 498, 500; 362/555, 800

See application file for complete search history.

(56) **References Cited**

U.S. PATENT DOCUMENTS

6,518,601 B2 * 2/2003 Wirth 257/98
6,847,052 B2 * 1/2005 Fan et al. 257/79
7,319,044 B2 * 1/2008 Han et al. 438/22

D580,888 S * 11/2008 Liu D13/180
D599,748 S * 9/2009 Liu D13/180
D601,102 S * 9/2009 Onikiri et al. D13/180
D602,451 S * 10/2009 Gielen D13/180
D609,653 S * 2/2010 Watanabe et al. D13/180
D615,505 S * 5/2010 Butterworth et al. D13/180
7,714,334 B2 * 5/2010 Lin 257/81
D620,897 S * 8/2010 Shan et al. D13/180
D621,801 S * 8/2010 Hsieh D13/180
D622,679 S * 8/2010 Hsieh D13/180
D623,152 S * 9/2010 Hwang et al. D13/180
D624,510 S * 9/2010 Liu et al. D13/180
7,795,623 B2 * 9/2010 Emerson et al. 257/79
D627,311 S * 11/2010 Lai et al. D13/180
D627,747 S * 11/2010 Chu et al. D13/180
D628,540 S * 12/2010 Tsou D13/180
D633,876 S * 3/2011 Shan et al. D13/180
8,017,963 B2 * 9/2011 Donofrio et al. 257/98

* cited by examiner

Primary Examiner — Selina Sikder

(74) *Attorney, Agent, or Firm* — Myers Bigel Sibley & Sajovec, P.A.

(57) **CLAIM**

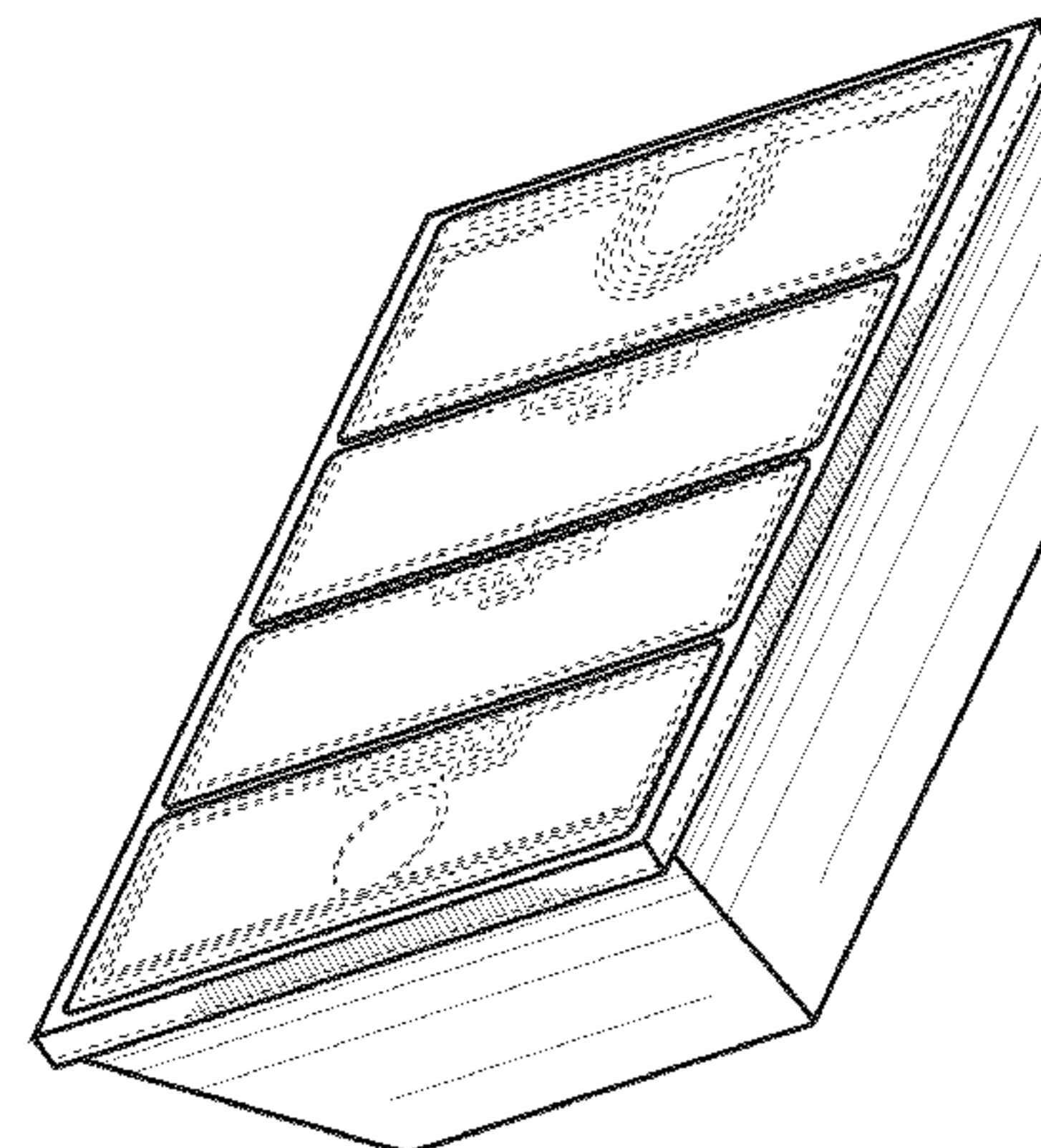
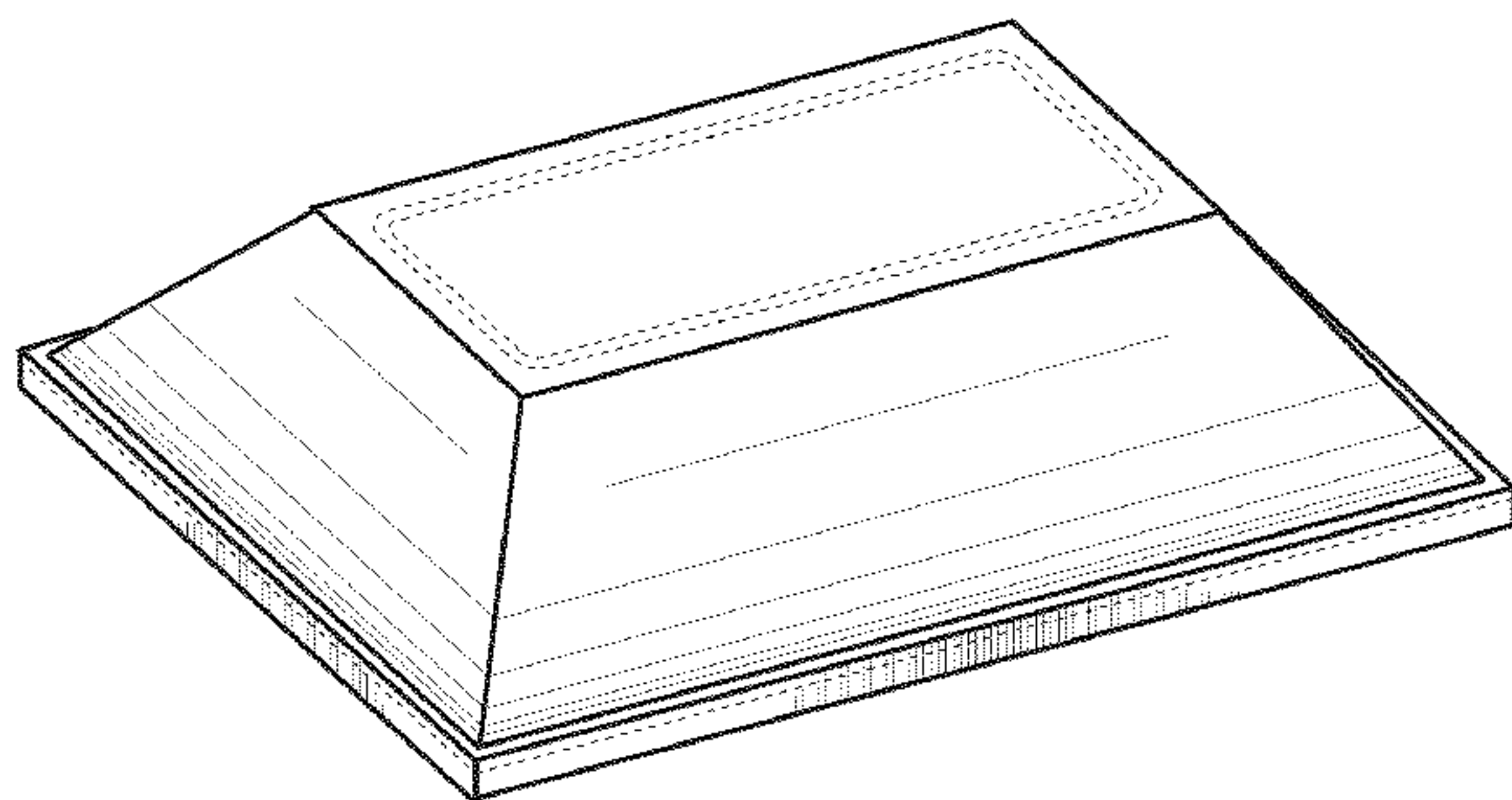
The ornamental design for a light emitting diode, as shown and described.

DESCRIPTION

FIG. 1 is a top perspective view of a light emitting diode showing our design;
FIG. 2 is a bottom perspective view thereof;
FIG. 3 is a top view thereof;
FIG. 4 is a side view thereof;
FIG. 5 is an opposing side view thereof;
FIG. 6 is a front view thereof;
FIG. 7 is bottom view thereof; and,
FIG. 8 is a back view thereof.

The broken lines shown herein are for illustrative purposes only and form no part of the claimed design.

1 Claim, 3 Drawing Sheets



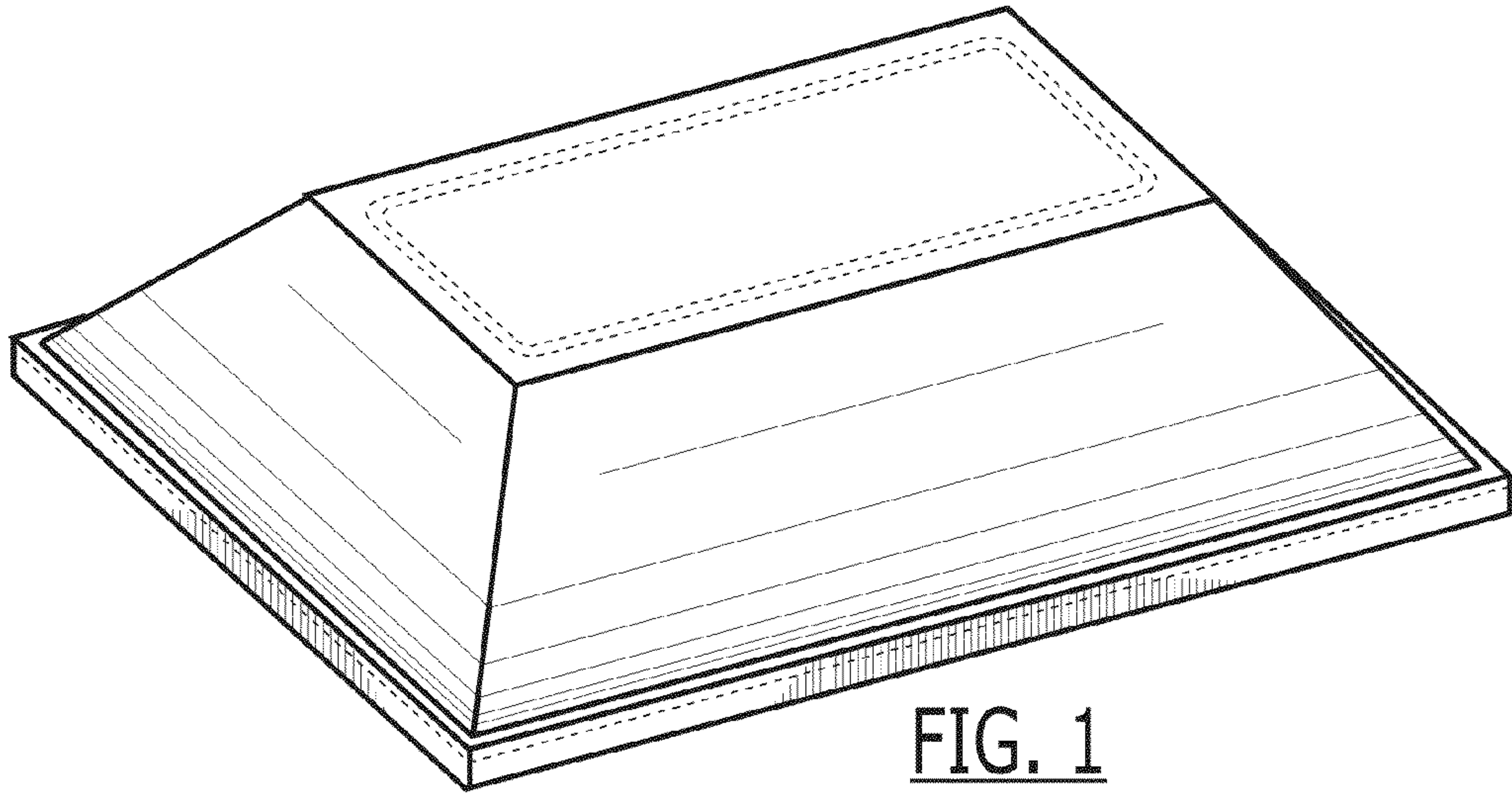


FIG. 1

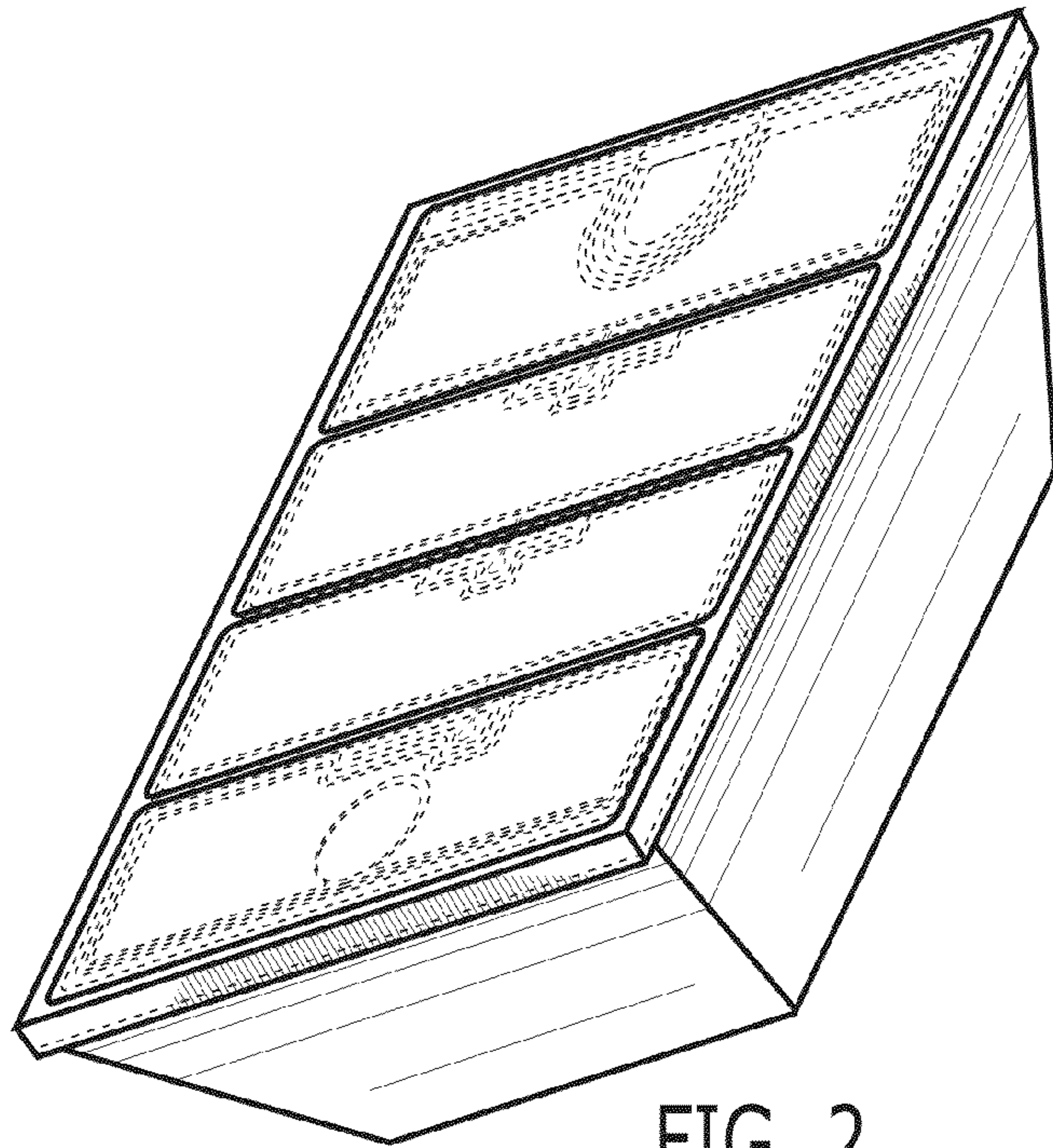


FIG. 2

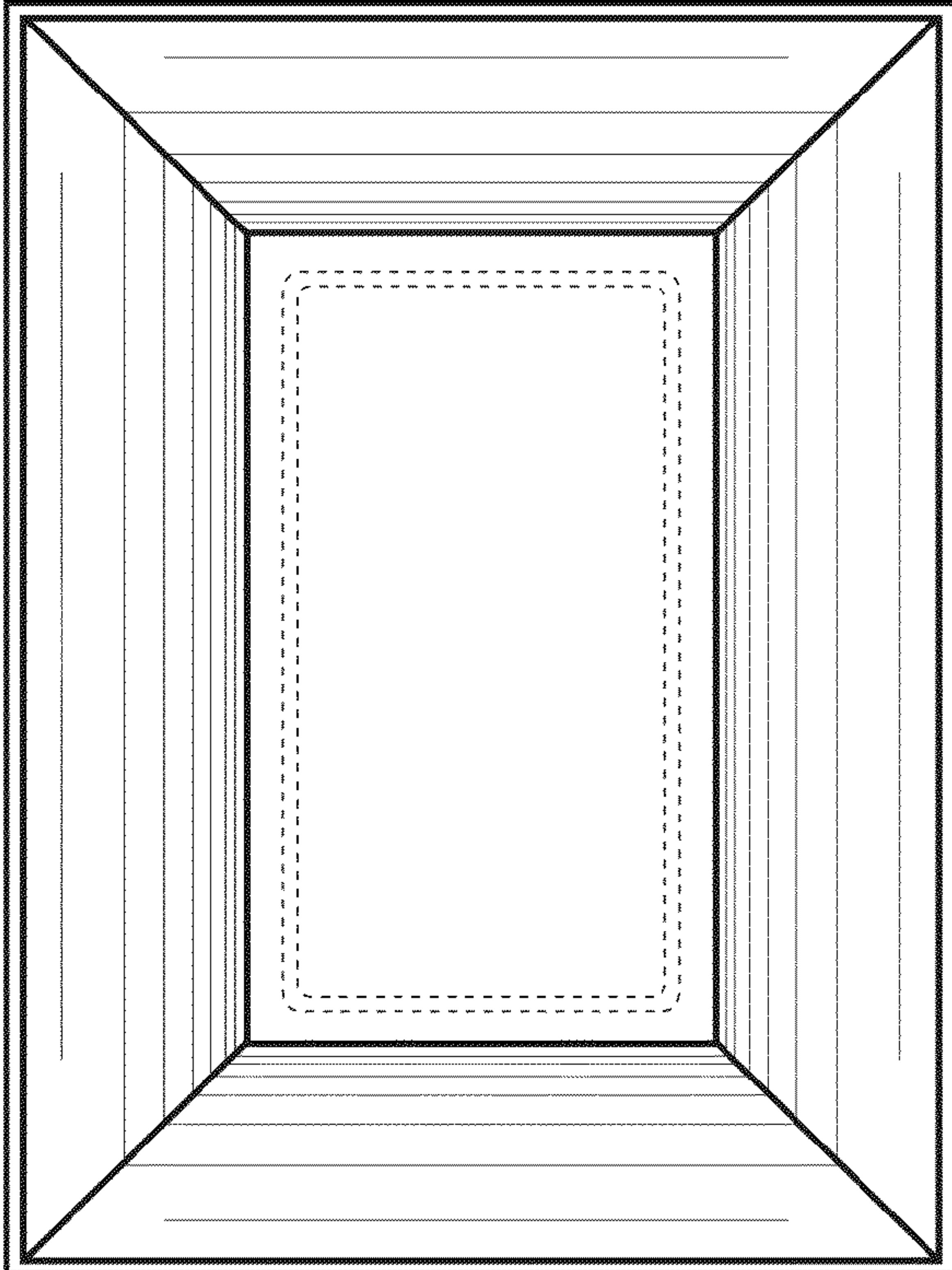


FIG. 3

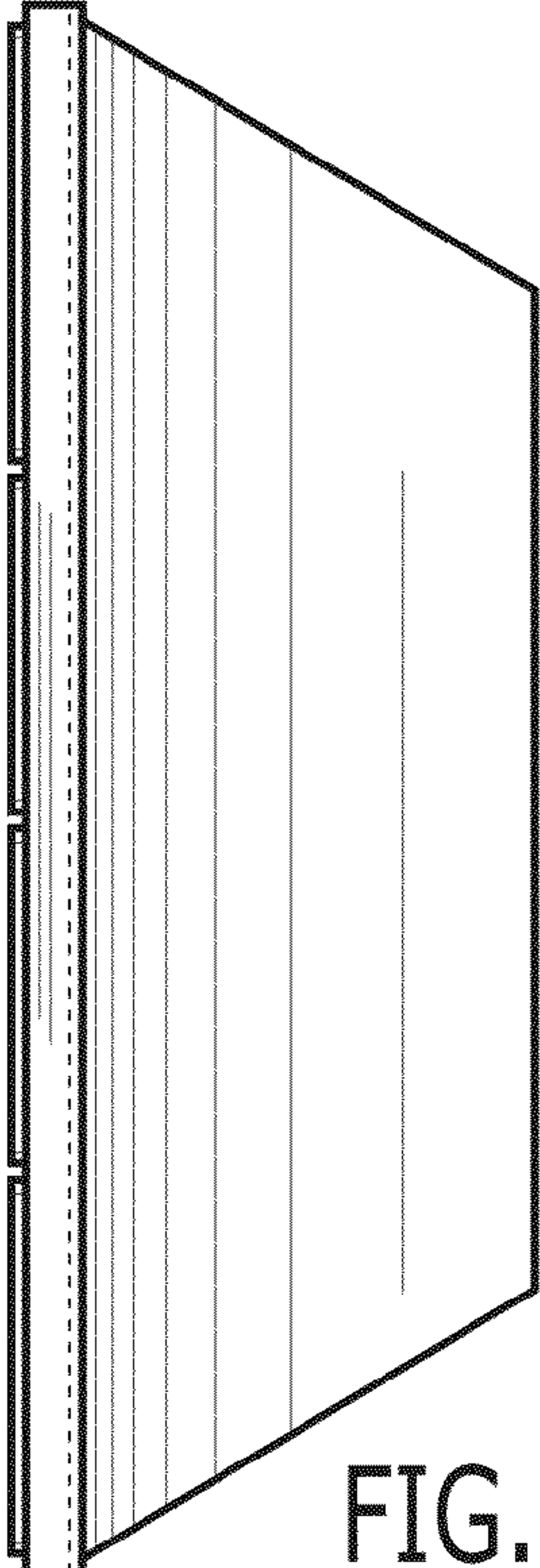


FIG. 4

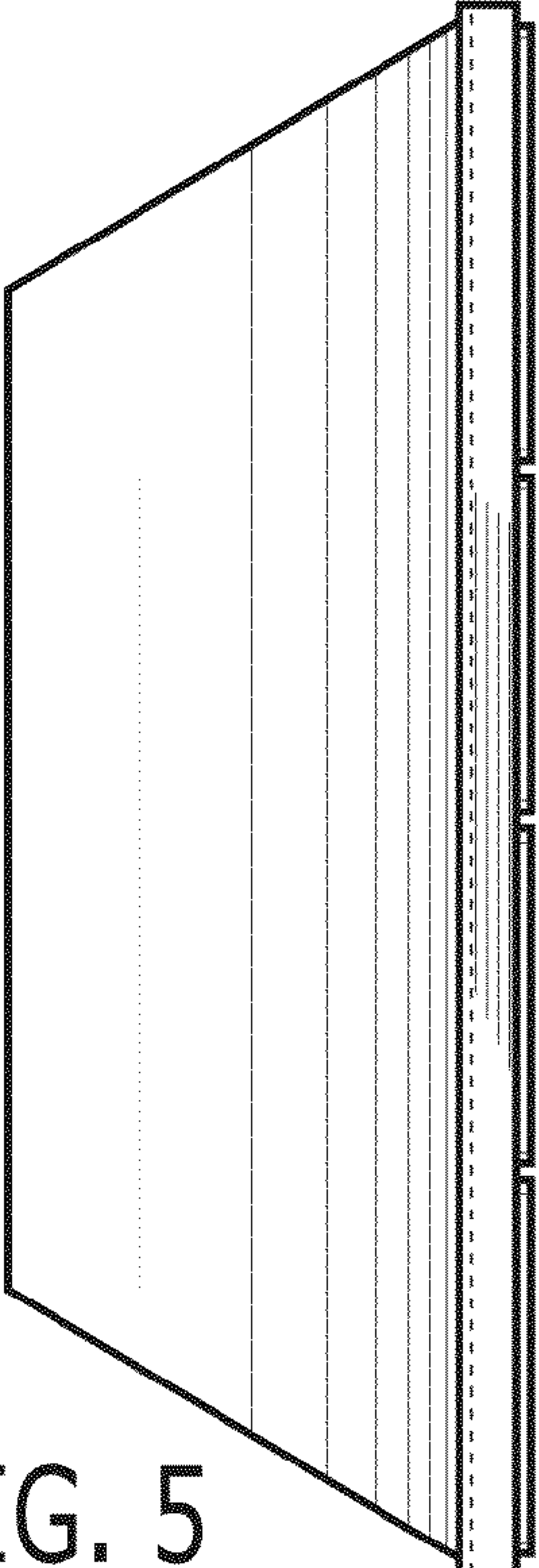


FIG. 5

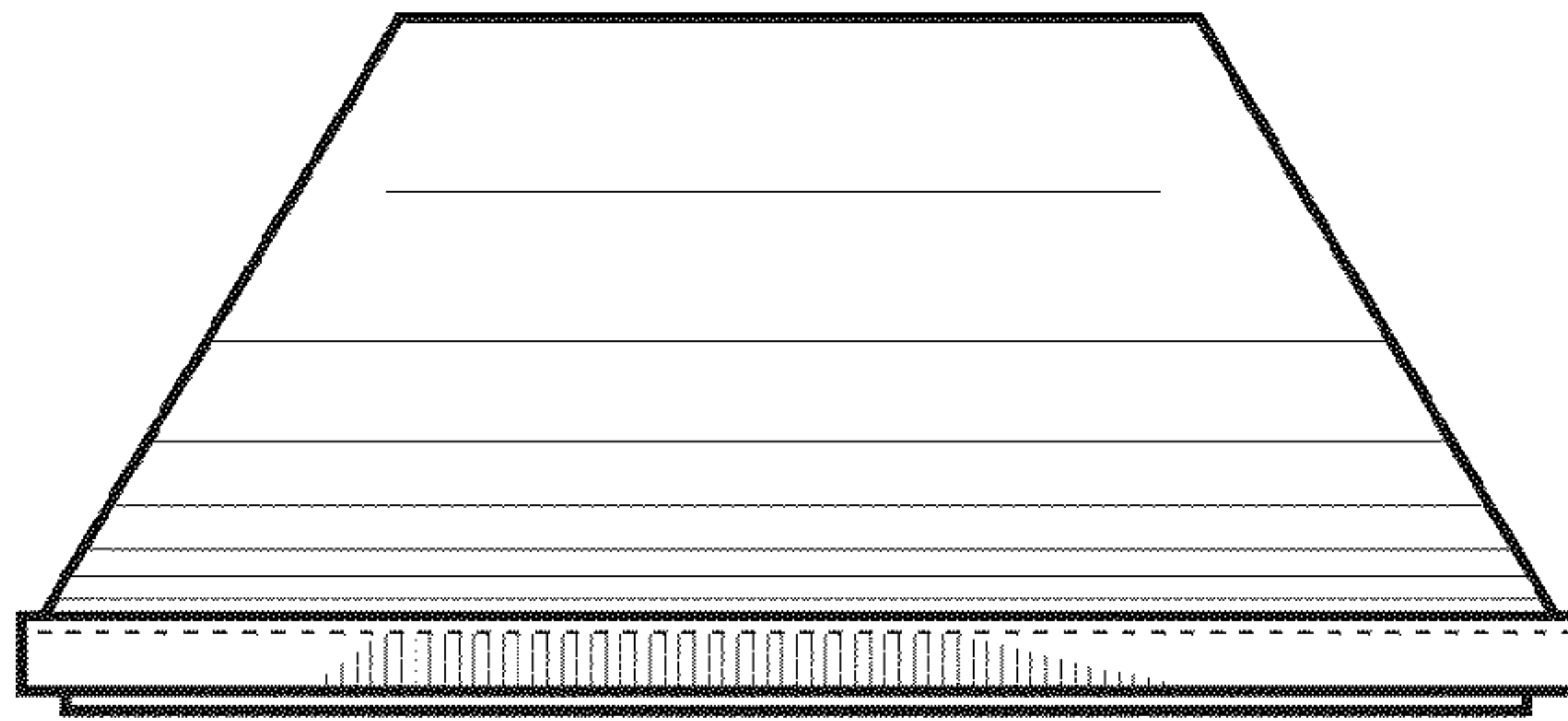


FIG. 6

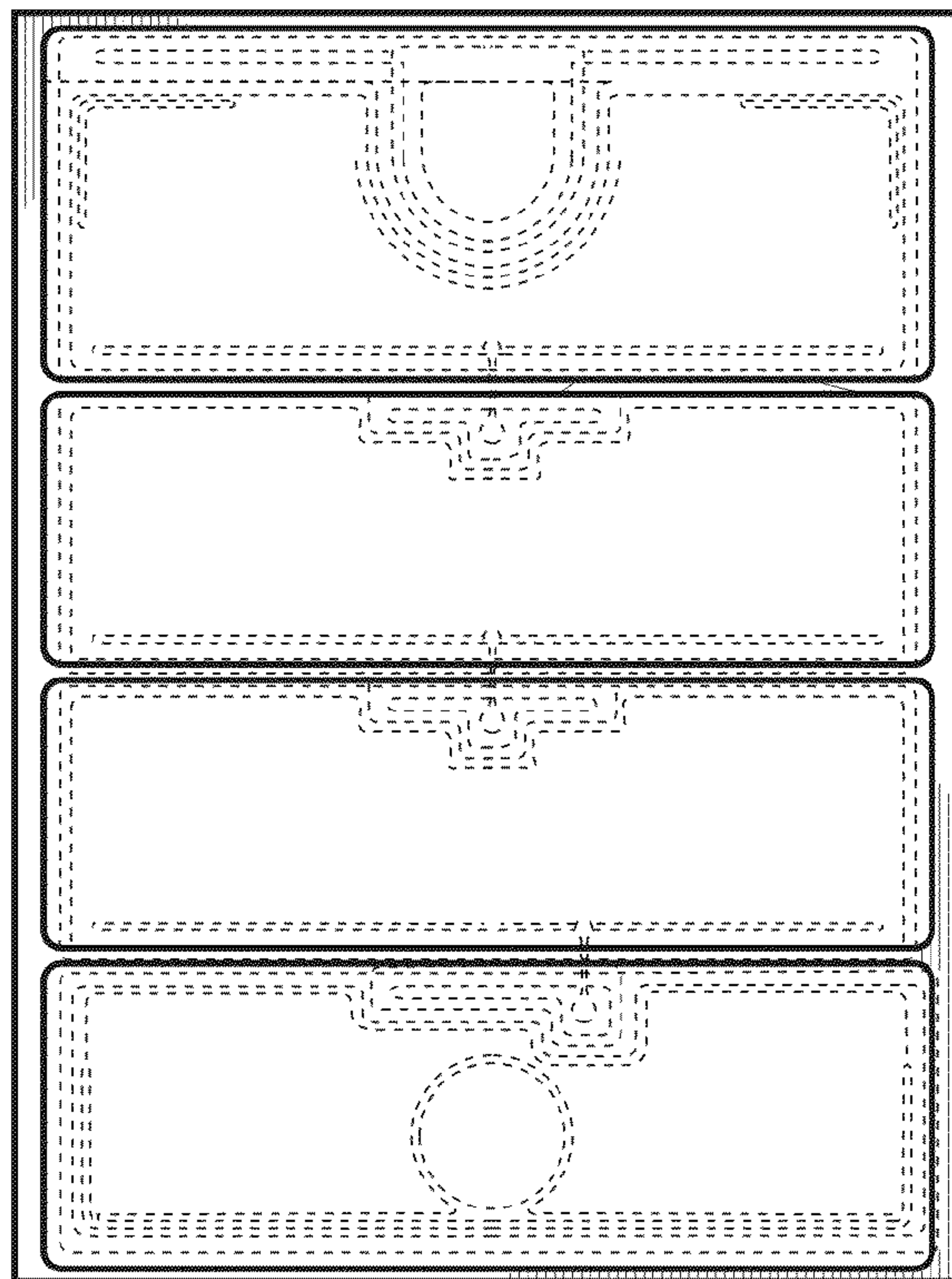


FIG. 7

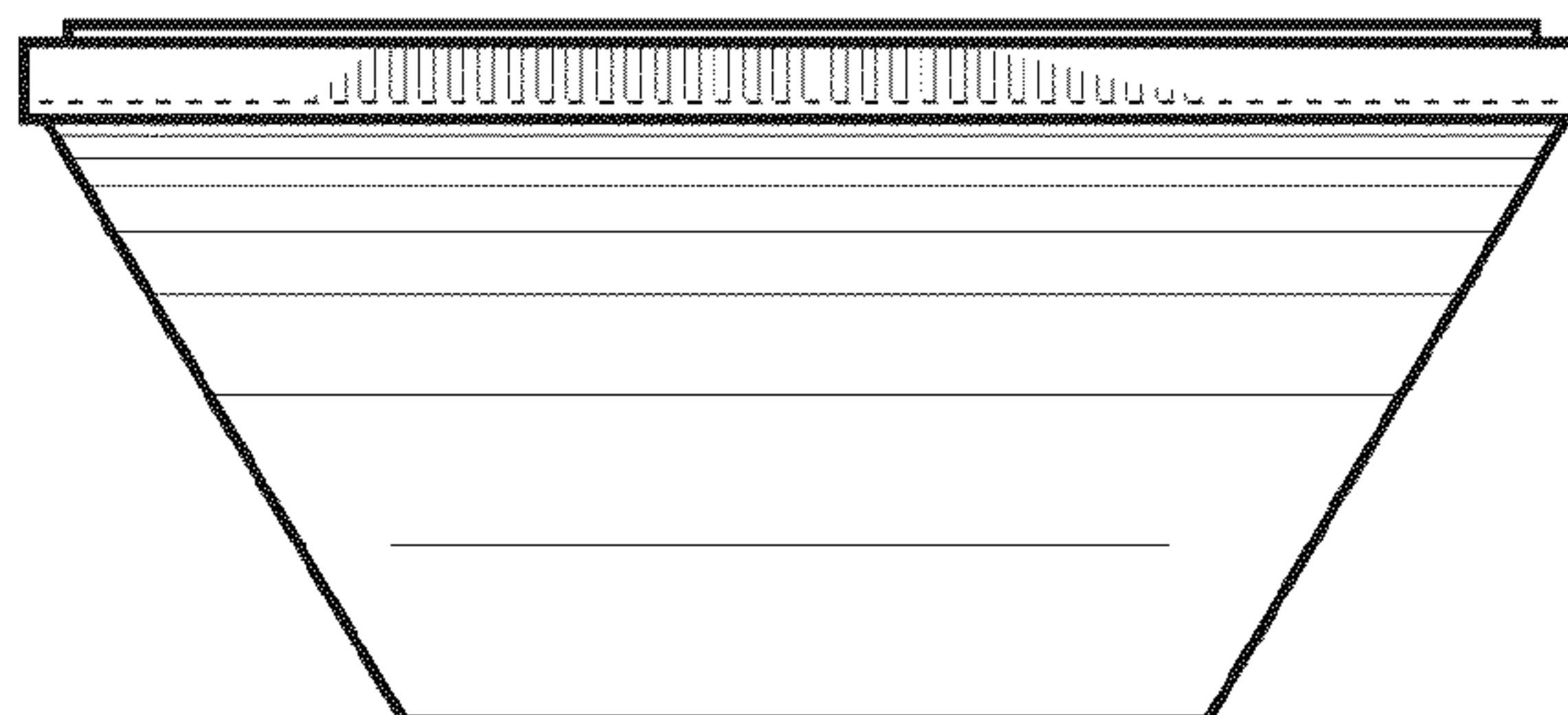


FIG. 8