



US00D689824S

(12) **United States Design Patent**  
**Ng et al.**

(10) **Patent No.:** **US D689,824 S**  
(45) **Date of Patent:** **\*\* Sep. 17, 2013**

(54) **CABLE HOUSING**  
(75) Inventors: **Patrick Ng**, Lindfield (AU); **Jason Ryan**, Kellyville Ridge (AU)  
(73) Assignee: **Preformed Line Products Company**, Mayfield Village, OH (US)  
(\*\*) Term: **14 Years**  
(21) Appl. No.: **29/399,022**  
(22) Filed: **Aug. 8, 2011**  
(51) **LOC (9) Cl.** ..... **13-03**  
(52) **U.S. Cl.**  
USPC ..... **D13/155**  
(58) **Field of Classification Search**  
USPC ..... D13/154, 155, 156, 157, 129, 131, D13/132, 133, 37.1, 139.1, 139.2, 139.4, D13/184; D8/356, 354, 366, 380, 396; 138/106, 107, 112, 113, 116, 117, 155-158, 138/166-169, 174; 174/101, 38, 68.1, 68.3; 248/68.1  
See application file for complete search history.

D402,263	S	*	12/1998	Scherer et al.	.....	D13/155
D403,412	S	*	12/1998	McMahon et al.	.....	D23/266
D404,637	S	*	1/1999	Nagato	.....	D8/354
D413,306	S	*	8/1999	Scherer et al.	.....	D13/155
5,937,131	A	*	8/1999	Haataja et al.	.....	385/136
D426,577	S	*	6/2000	Mackey et al.	.....	D19/89
D462,888	S	*	9/2002	Woosley	.....	D8/354
6,810,191	B2	*	10/2004	Ferris et al.	.....	385/134
D510,857	S	*	10/2005	Minor et al.	.....	D8/396
D557,112	S	*	12/2007	Franssen	.....	D8/349
D576,106	S	*	9/2008	Sayres et al.	.....	D13/155
D578,869	S	*	10/2008	Fernandez	.....	D8/354
D590,926	S	*	4/2009	Crain	.....	D23/266
D640,682	S	*	6/2011	Ledbetter et al.	.....	D14/257
2011/0126934	A1	*	6/2011	Thuesen	.....	138/106

\* cited by examiner

*Primary Examiner* — Derrick Holland  
*Assistant Examiner* — Lauren Calve  
(74) *Attorney, Agent, or Firm* — Calfee, Halter & Griswold LLP

(57) **CLAIM**  
The ornamental design for a cable housing, as shown and described.

**DESCRIPTION**

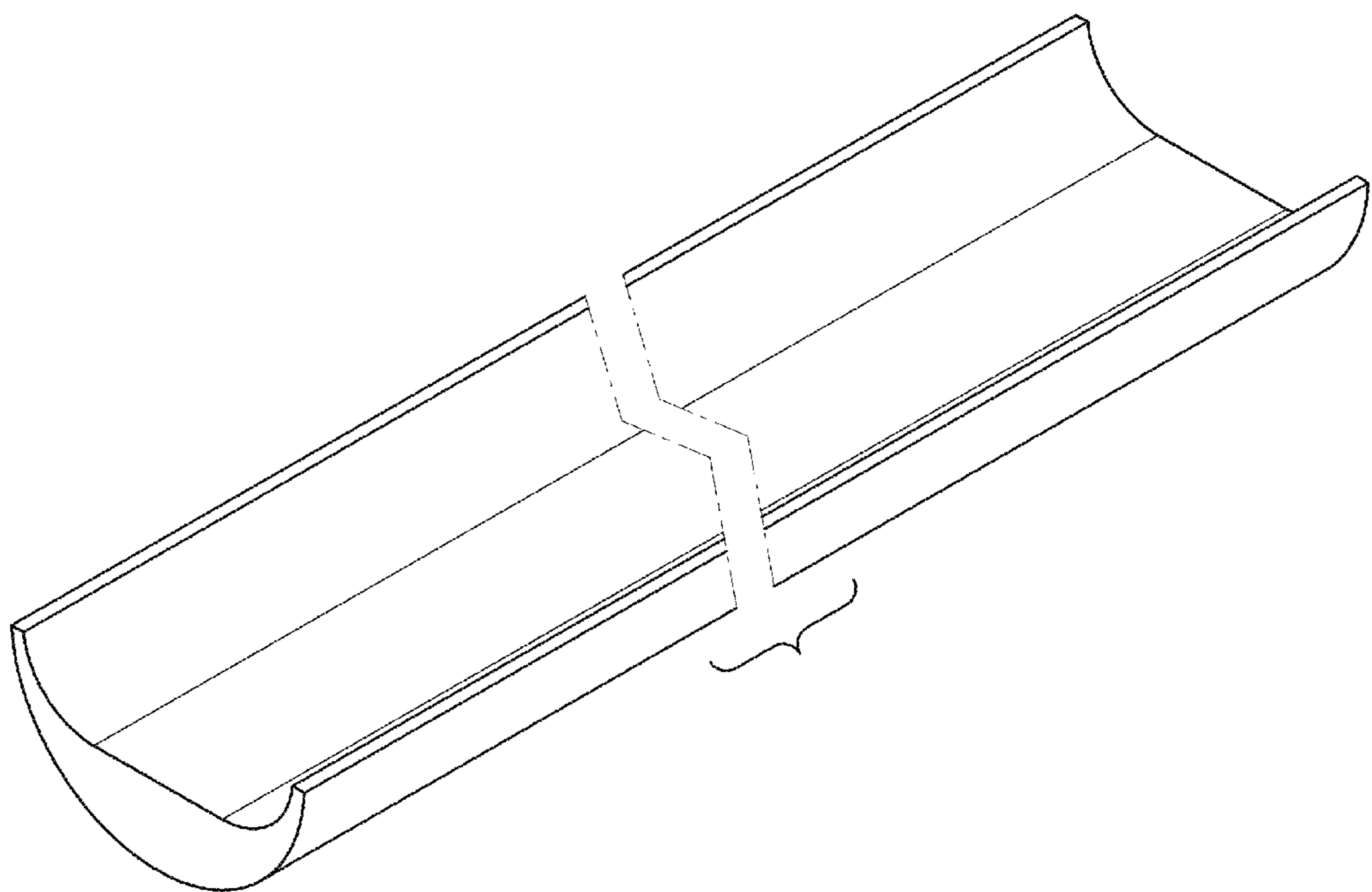
FIG. 1 is a top perspective view of an ornamental design of a cable housing.  
FIG. 2 is a top view of the cable housing shown in FIG. 1.  
FIG. 3 is a side view of the cable housing shown in FIG. 1; and,  
FIG. 4 is a front view of the cable housing shown in FIG. 1.  
The dot dash lines shown in the drawings represent indeterminate length and form no part of the claimed design.

**1 Claim, 4 Drawing Sheets**

(56) **References Cited**

U.S. PATENT DOCUMENTS

1,493,245	A	*	5/1924	Clark	.....	285/196
1,499,954	A	*	7/1924	Stiles	.....	138/157
4,509,561	A	*	4/1985	Litz	.....	138/149
RE32,820	E	*	1/1989	Pollack	.....	174/68.3
D307,650	S	*	5/1990	Murdock	.....	D29/129
4,996,088	A	*	2/1991	Knittel et al.	.....	428/40.9
5,209,441	A	*	5/1993	Satoh	.....	248/74.2
5,215,126	A	*	6/1993	Clark	.....	138/149



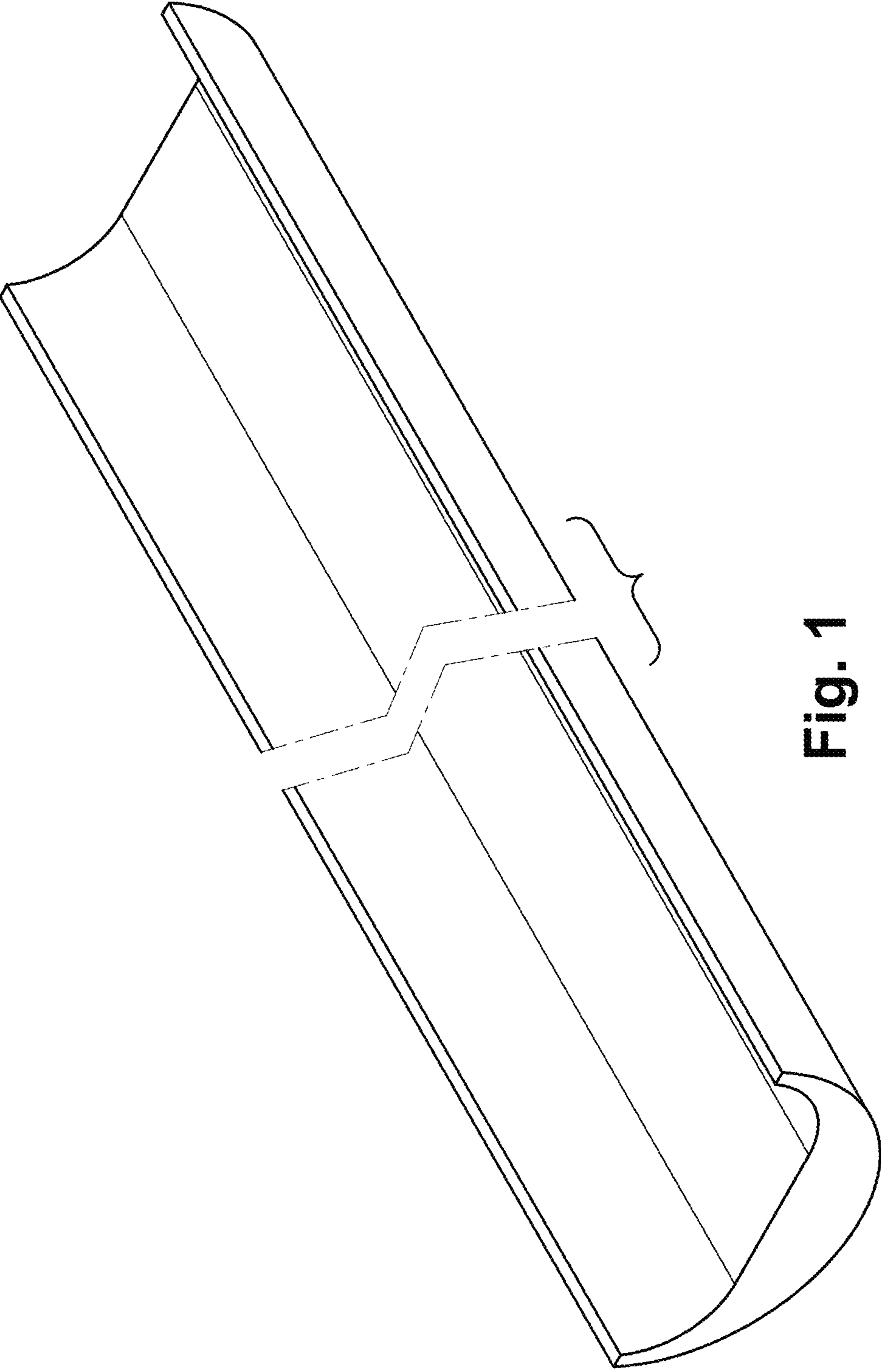


Fig. 1

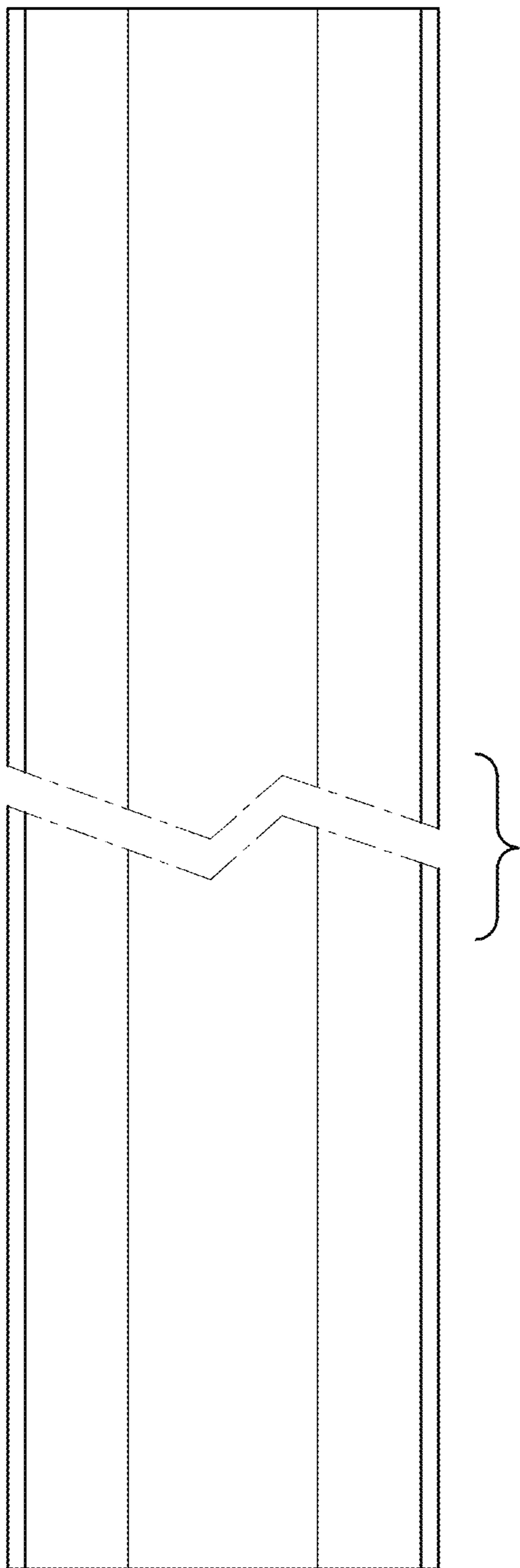


Fig. 2

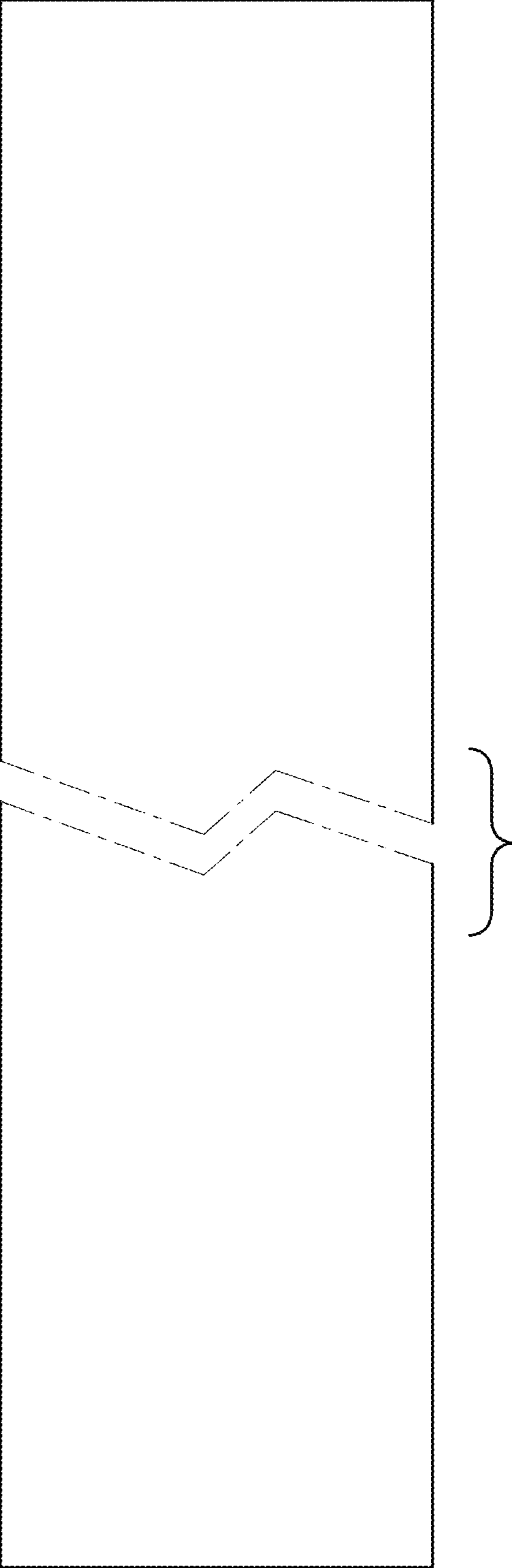
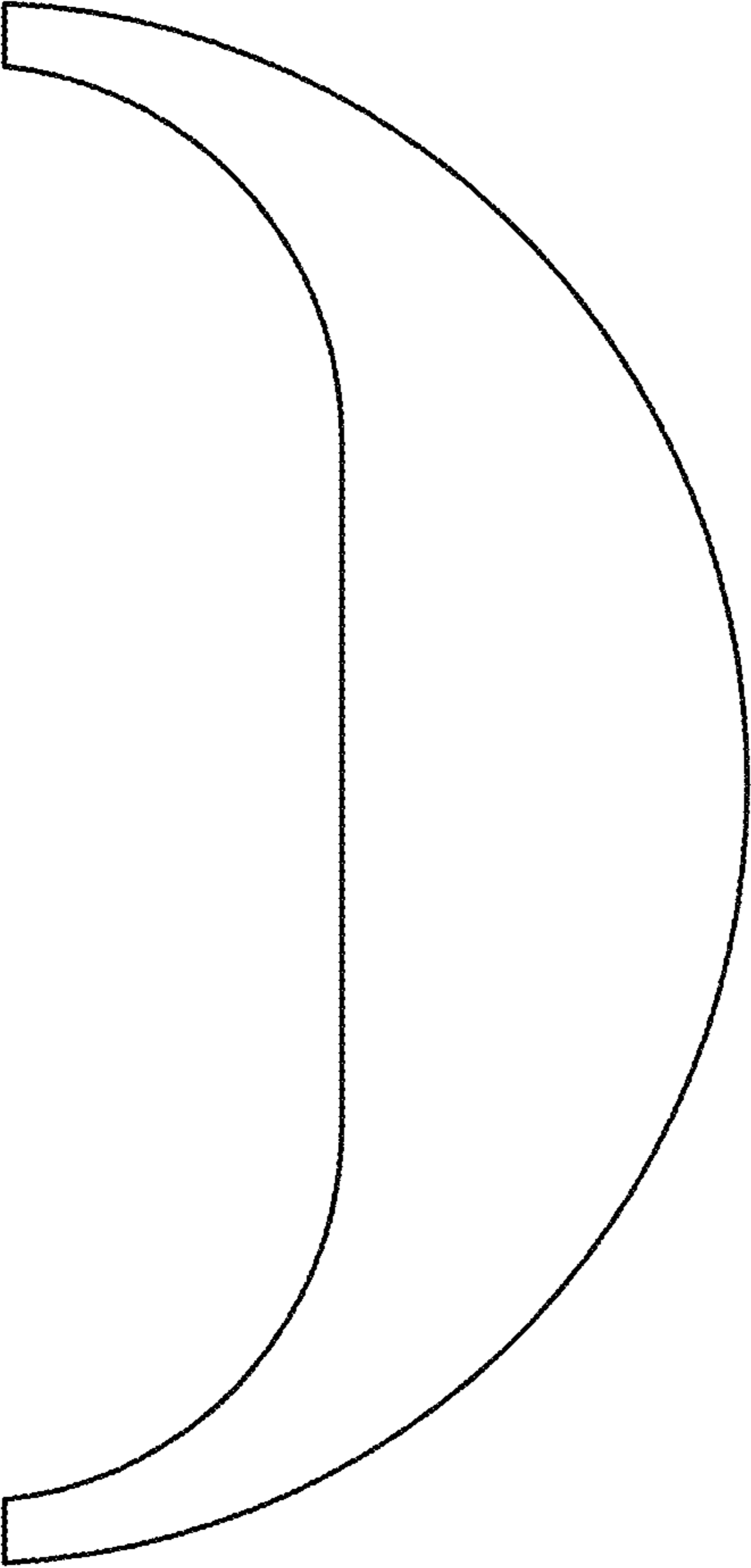


Fig. 3



**Fig. 4**