



US00D689821S

(12) **United States Design Patent**
Yang et al.

(10) **Patent No.:** **US D689,821 S**

(45) **Date of Patent:** **** Sep. 17, 2013**

(54) **OPTICAL FIBER ADAPTOR**

(75) Inventors: **Guo Yang**, Guangdong (CN); **Qiyue Wang**, Guangdong (CN)

(73) Assignee: **Sunsea Telecommunications Co., Ltd.**, Guangdong (CN)

(**) Term: **14 Years**

(21) Appl. No.: **29/413,597**

(22) Filed: **Feb. 17, 2012**

(30) **Foreign Application Priority Data**

Dec. 26, 2011 (CN) 2011 3 0499473

(51) **LOC (9) Cl.** **13-03**

(52) **U.S. Cl.**
USPC **D13/133**

(58) **Field of Classification Search**
USPC D13/133, 147, 154, 184, 199; 439/345, 439/350, 352-354, 357-358, 374, 476.1, 439/595, 660, 680, 682, 752
See application file for complete search history.

(56) **References Cited**

U.S. PATENT DOCUMENTS

D241,942 S * 10/1976 Sheesley et al. D13/147
4,959,023 A * 9/1990 Watanabe et al. 439/595
D310,993 S * 10/1990 Ohkura et al. D13/146
4,986,766 A * 1/1991 Leonard et al. 439/352
D317,148 S * 5/1991 Kozono et al. D13/146
D320,975 S * 10/1991 Kawashima et al. D13/147

D479,199 S * 9/2003 Jones et al. D13/147
D531,960 S * 11/2006 Kondas D13/147
D580,370 S * 11/2008 Ramsey D13/154
D655,677 S * 3/2012 Gouhl et al. D13/146

* cited by examiner

Primary Examiner — Daniel Bui

(74) *Attorney, Agent, or Firm* — Nixon & Vanderhye P.C.

(57) **CLAIM**

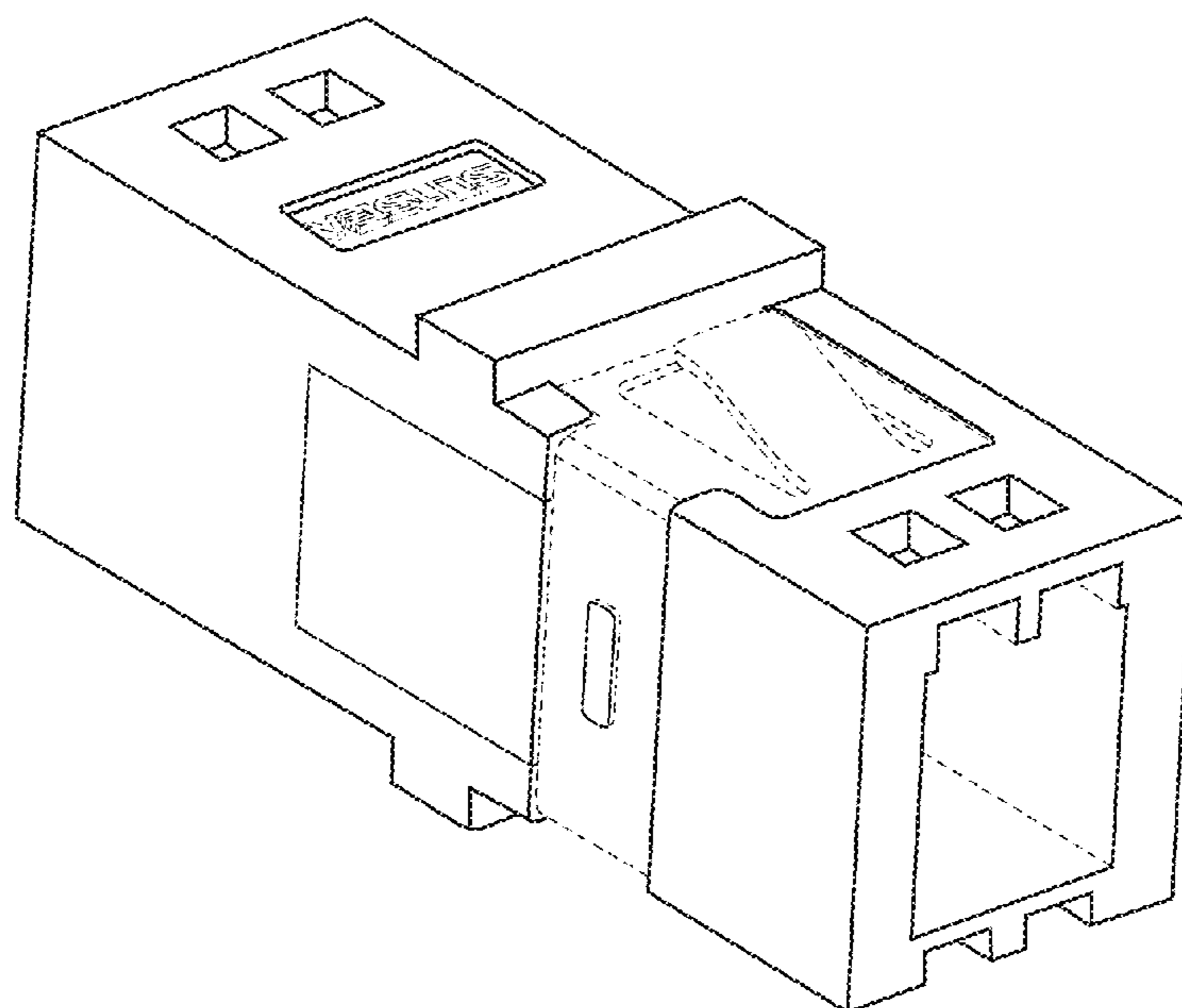
The ornamental design for an optical fiber adaptor, as shown and described.

DESCRIPTION

FIG. 1 is a front view of an optical fiber adaptor showing our new ornamental design;
FIG. 2 is a rear view thereof;
FIG. 3 is a top view thereof;
FIG. 4 is a bottom view thereof;
FIG. 5 is a left side view thereof;
FIG. 6 is a right side view thereof;
FIG. 7 is a top, rear and left side perspective view thereof;
FIG. 8 is a bottom, front and right side perspective view thereof, in use condition; and,
FIG. 9 is another top, rear and left side perspective view thereof, in use condition.

The broken line in the drawing views is included to show unclaimed environment only and forms no part of the claimed design.

1 Claim, 4 Drawing Sheets



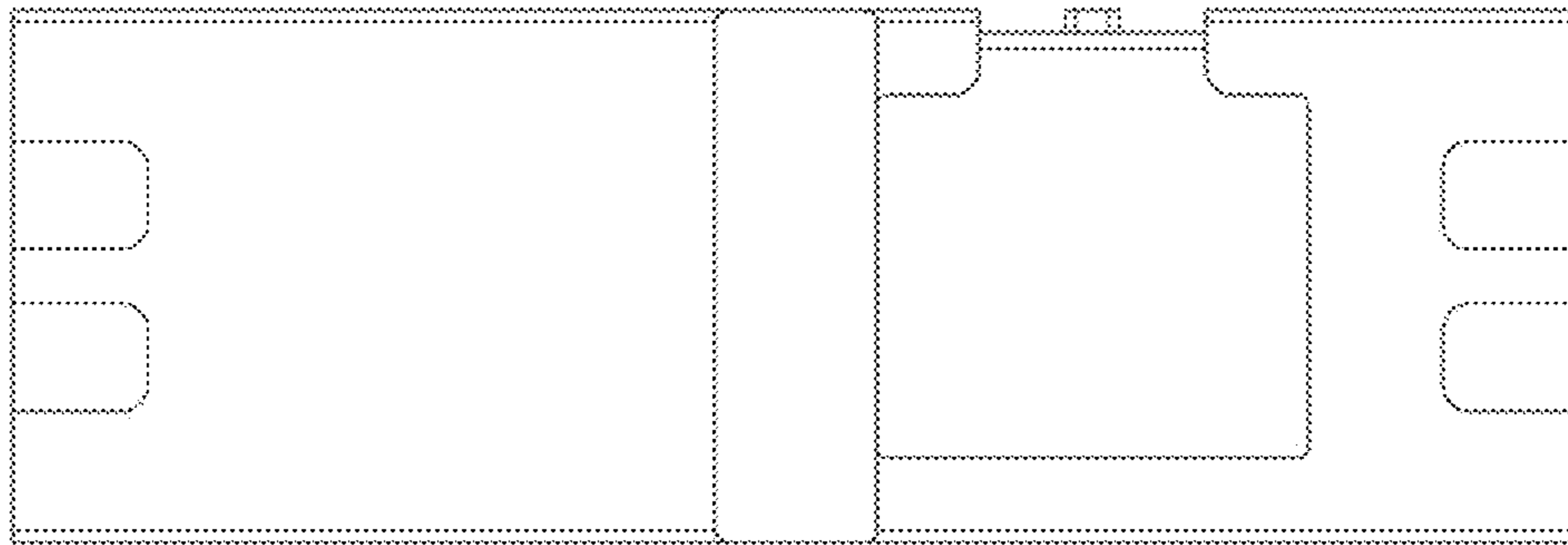


FIG. 1

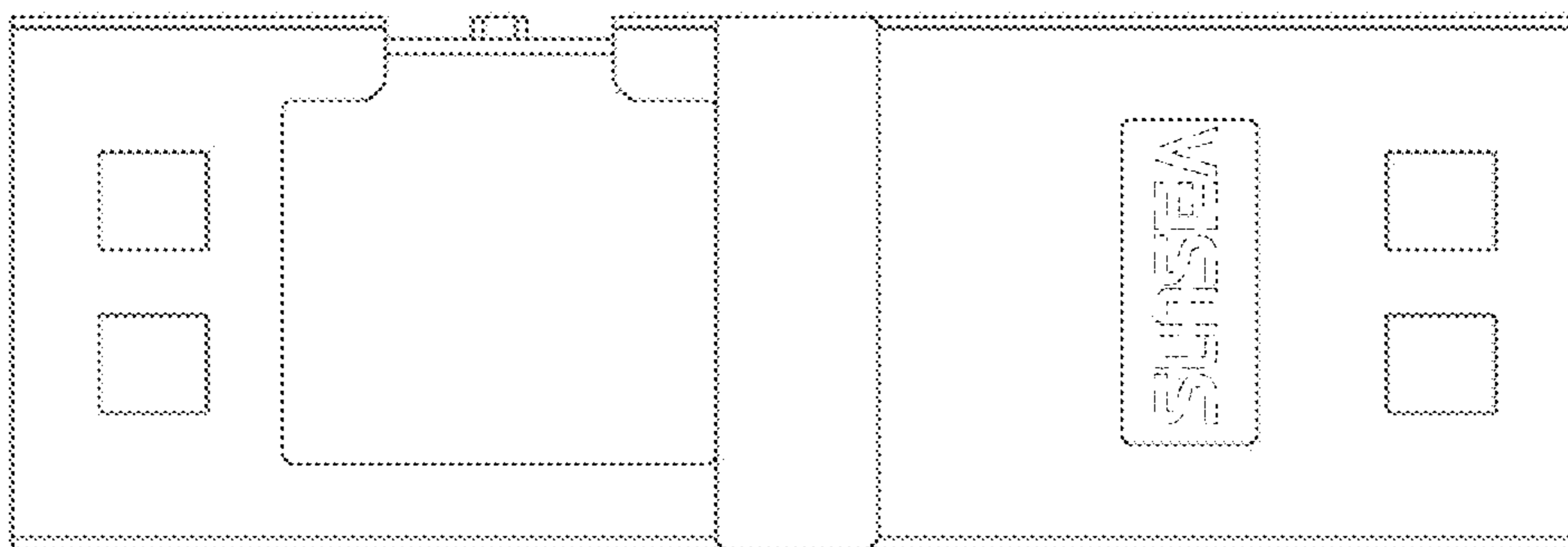


FIG. 2

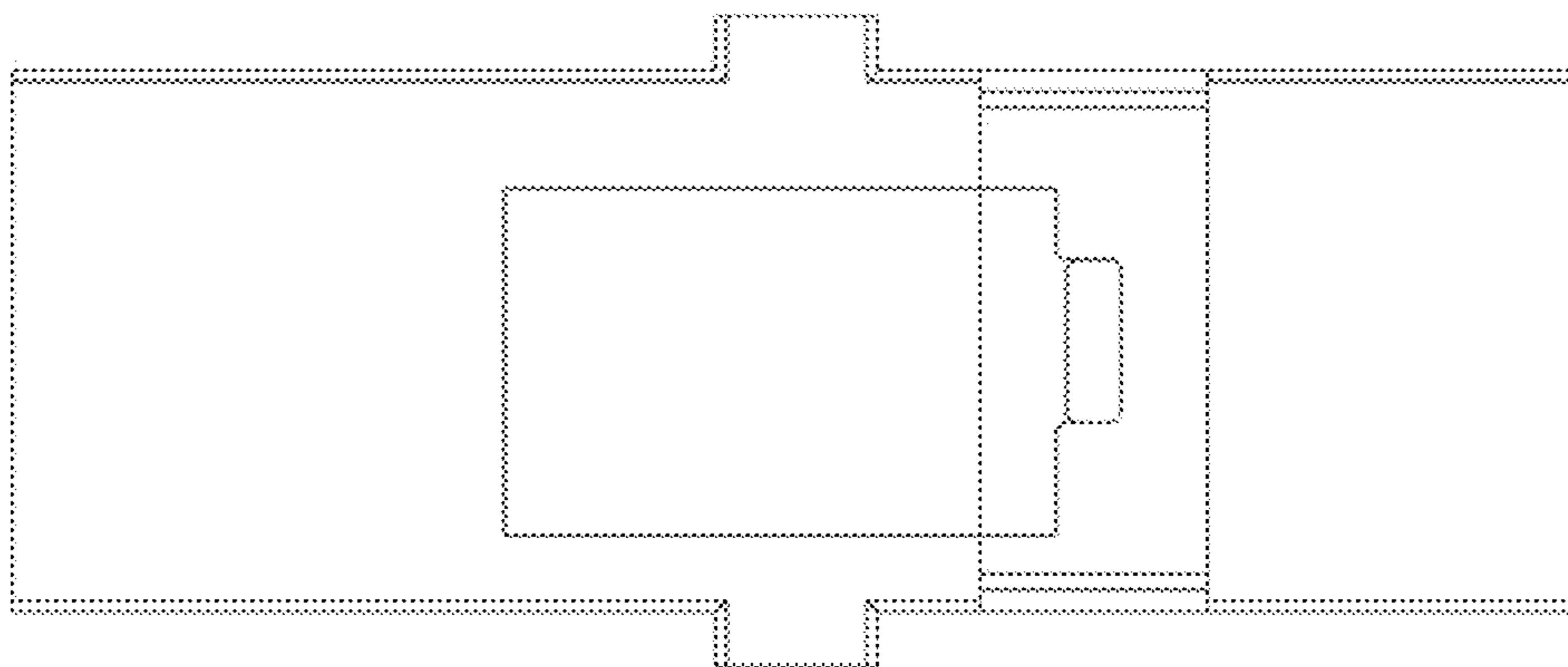


FIG. 3

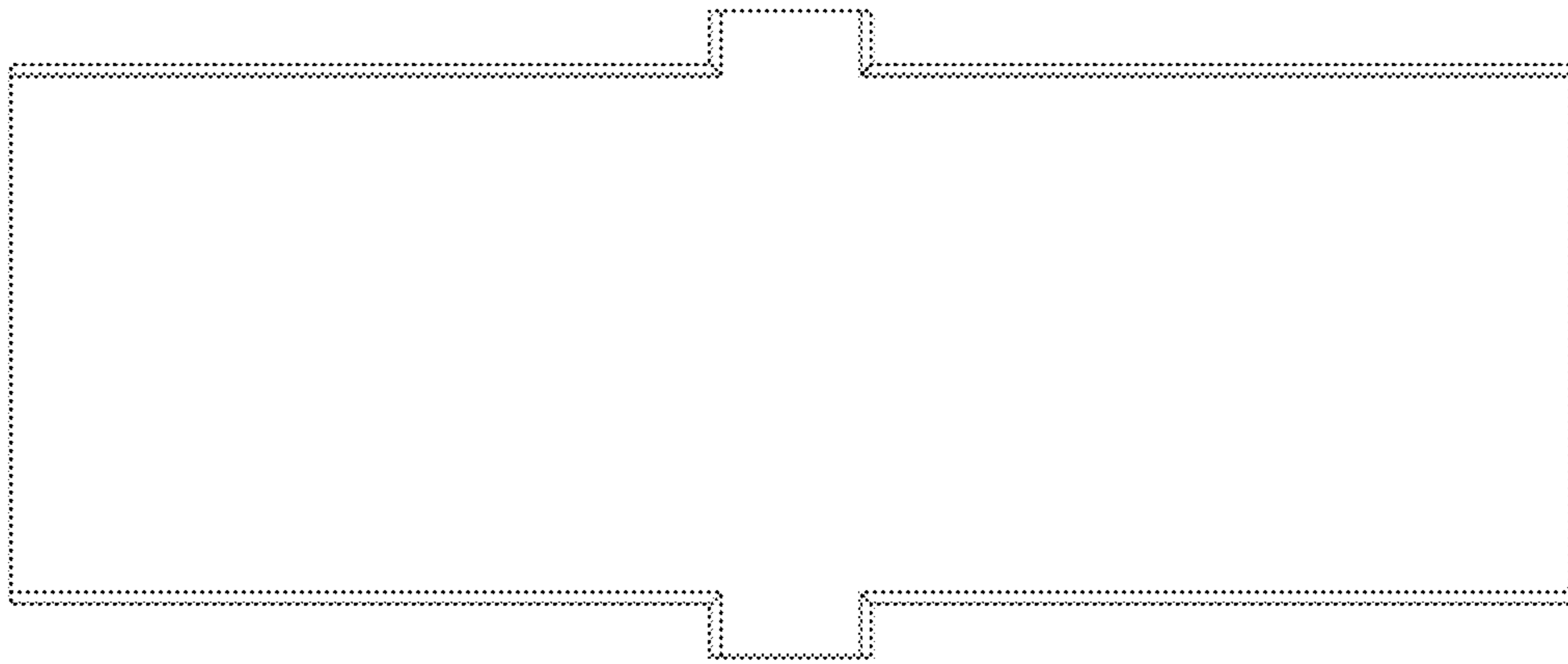


FIG. 4

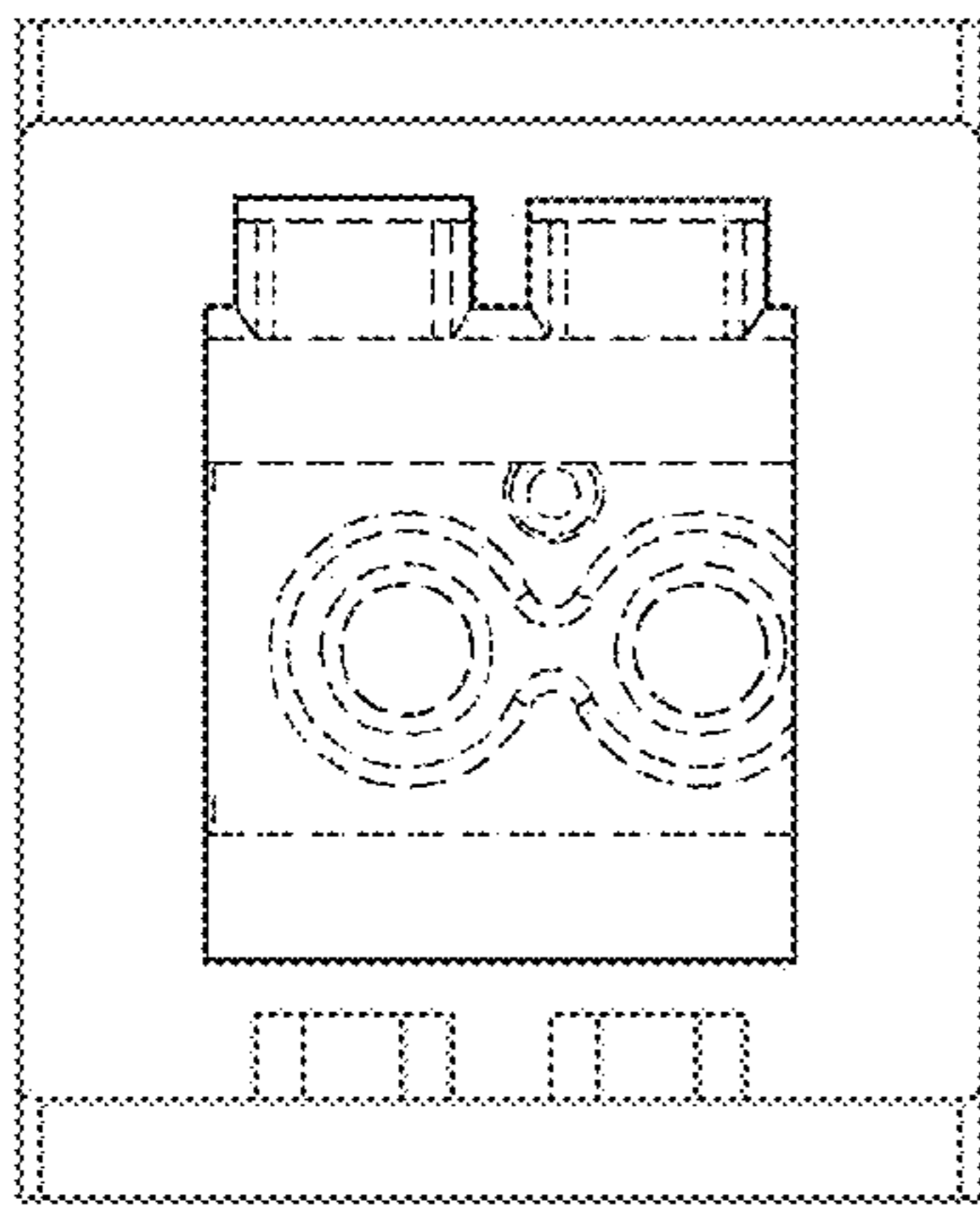


FIG. 5

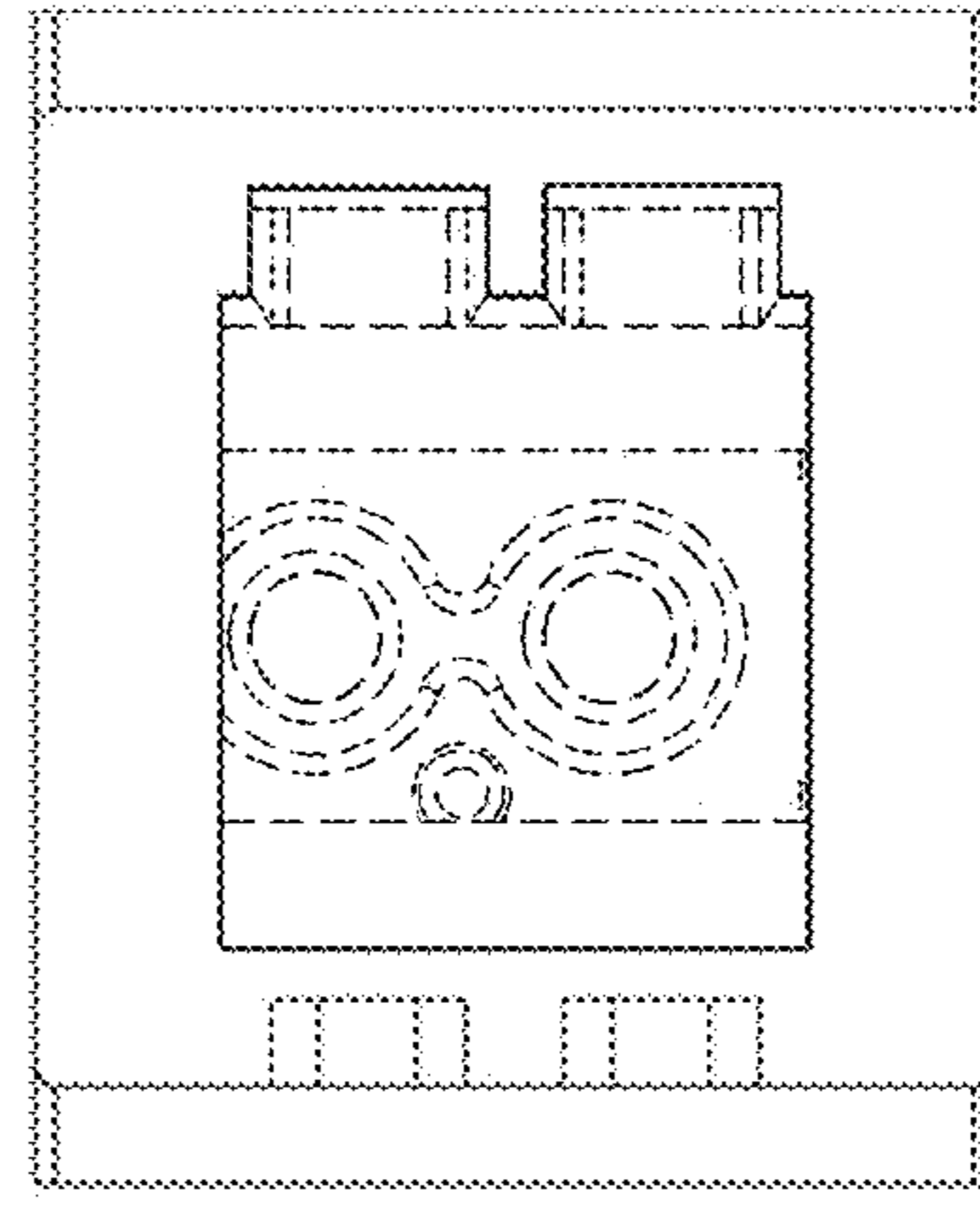


FIG. 6

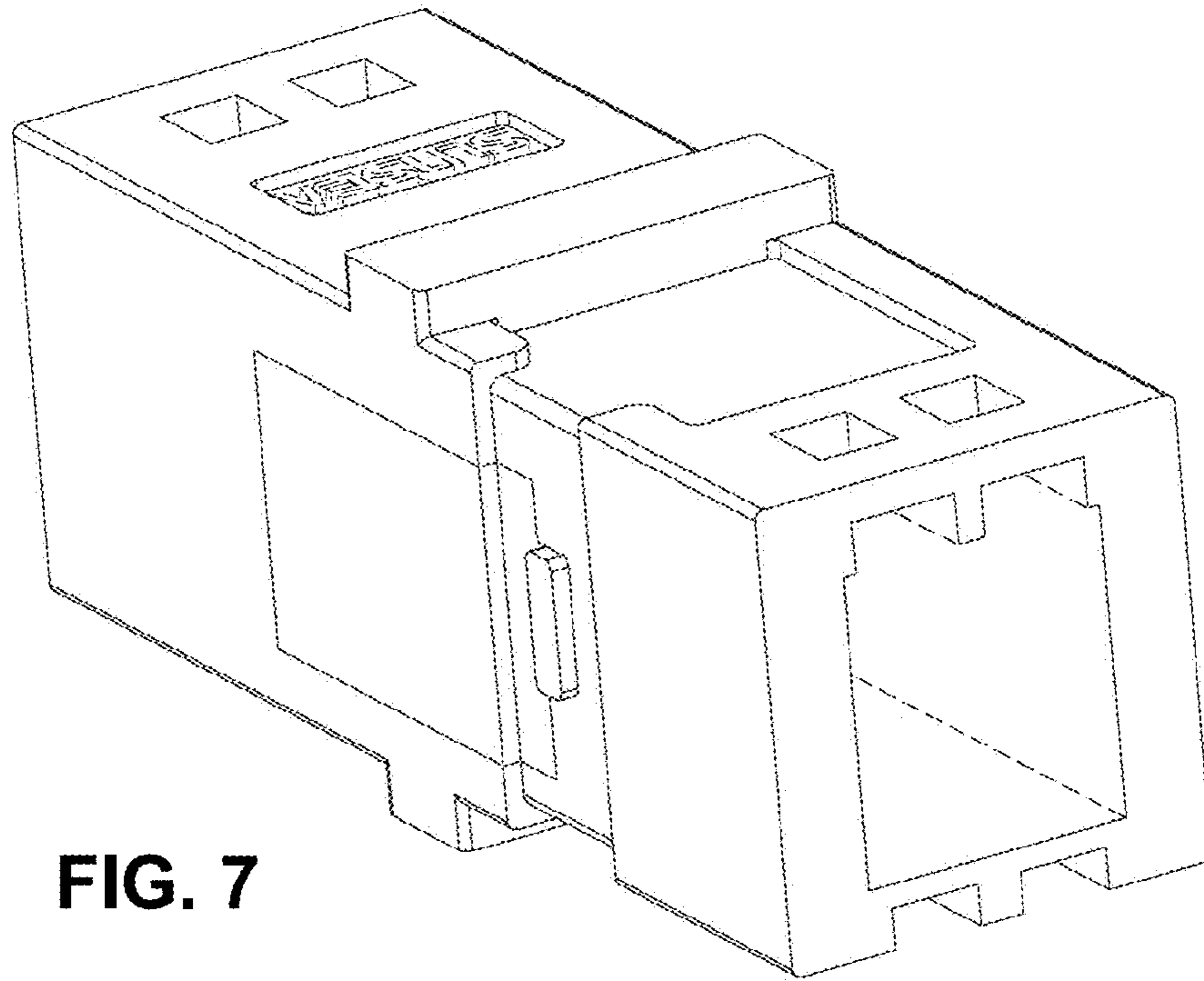


FIG. 7

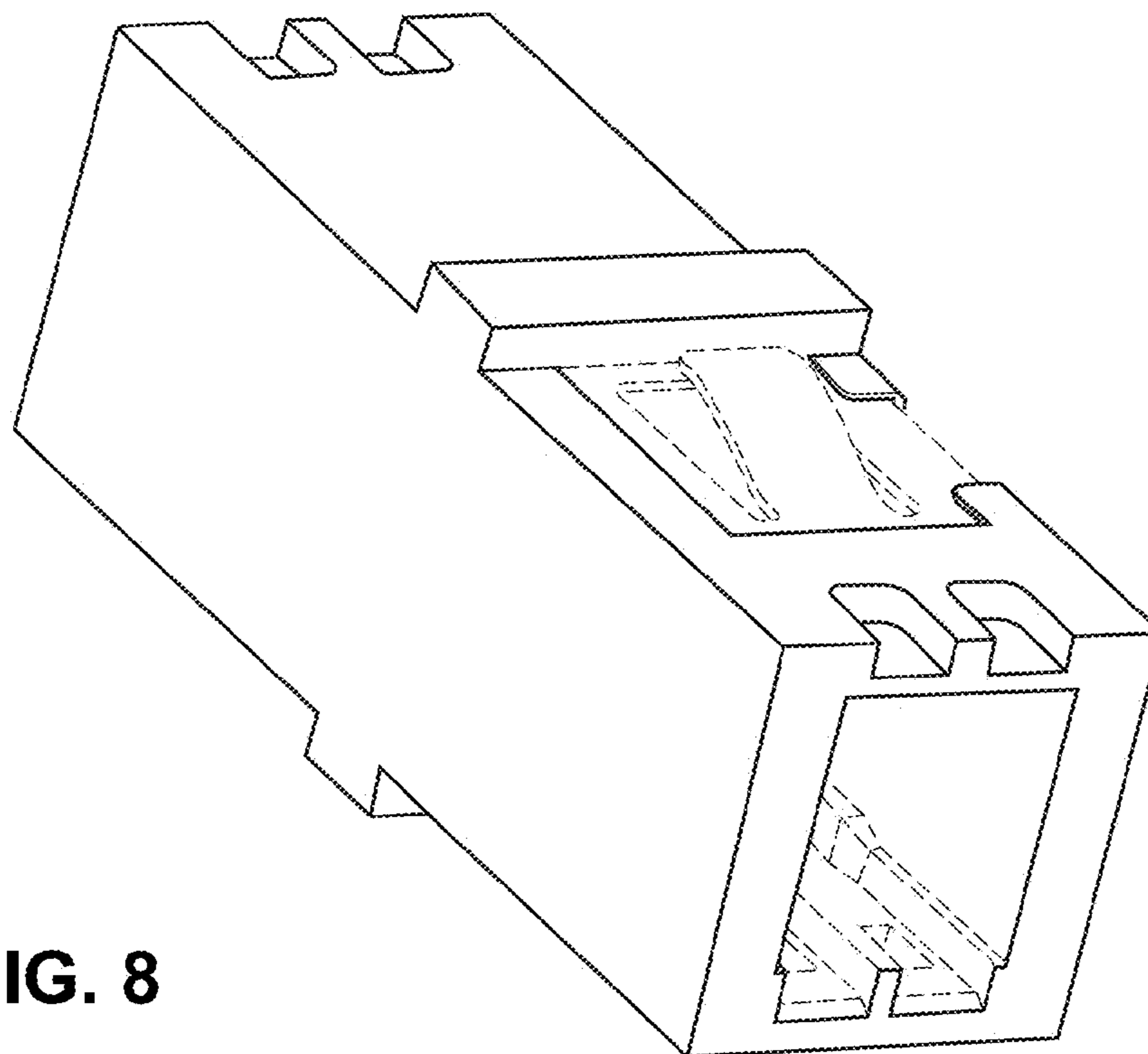


FIG. 8

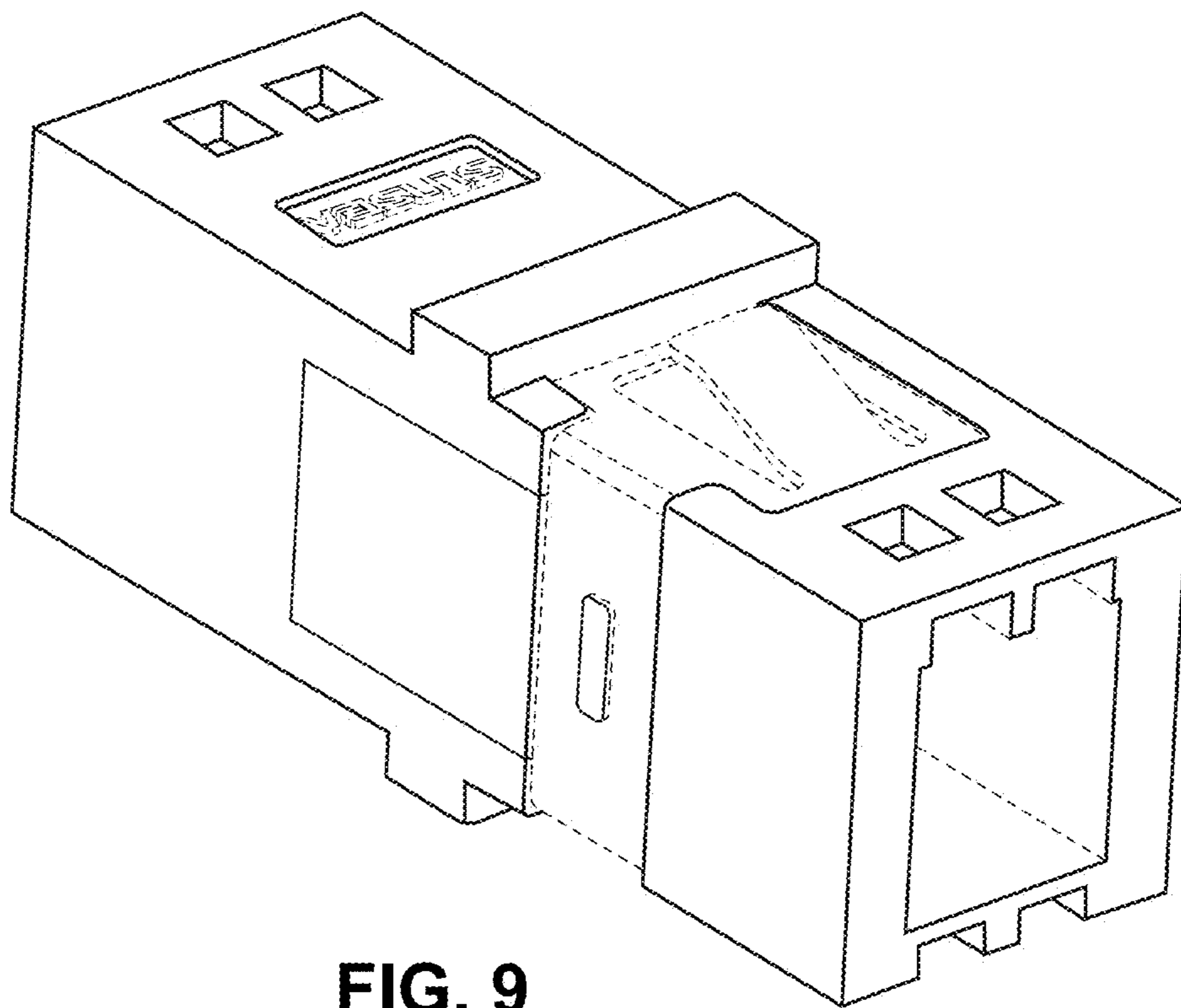


FIG. 9