



US00D689820S

(12) **United States Design Patent**
Blevio, Sr.

(10) **Patent No.:** **US D689,820 S**

(45) **Date of Patent:** **** Sep. 17, 2013**

(54) **TURBINE ROTOR**

(76) Inventor: **Henry L. Blevio, Sr.**, New Milford, CT
(US)

(**) Term: **14 Years**

(21) Appl. No.: **29/395,978**

(22) Filed: **Apr. 30, 2012**

(51) **LOC (9) Cl.** **13-01**

(52) **U.S. Cl.**
USPC **D13/115**

(58) **Field of Classification Search**
USPC D13/115, 118, 122, 199; D12/344,
D12/345; D15/1, 5, 7, 123, 138; D21/453,
D21/458; 290/44, 52, 54, 55; 415/199.4,
415/916; 416/24, 31, 37, 38, 132 B, 132 R,
416/141, 142, 176, 177, 186 R, 196 A, 223 A
See application file for complete search history.

(56) **References Cited**

U.S. PATENT DOCUMENTS

D487,060 S * 2/2004 Ehrenberger D13/115
7,471,009 B2 * 12/2008 Davis et al. 290/54
D587,195 S * 2/2009 van Wijck D13/115

D605,115 S * 12/2009 Starck D13/115
D610,542 S * 2/2010 Raisanen et al. D13/115
D629,356 S * 12/2010 Presz et al. D13/115
D638,358 S * 5/2011 Sauer, Jr. D13/115
8,314,508 B2 * 11/2012 Kawas et al. 290/55

* cited by examiner

Primary Examiner — Derrick Holland

(74) *Attorney, Agent, or Firm* — K. Gibner Lehmann

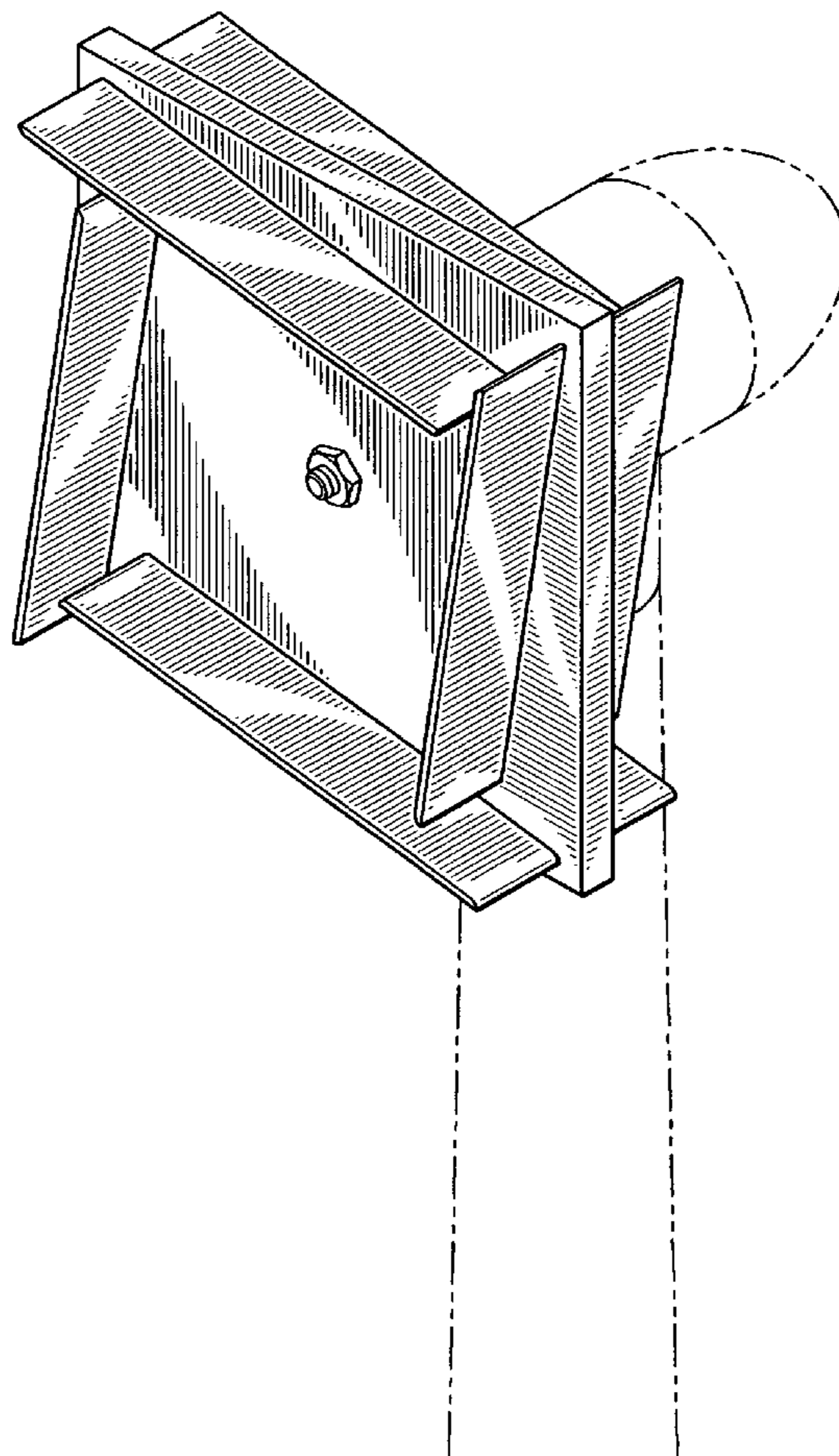
(57) **CLAIM**

The ornamental design for a turbine rotor, substantially as shown and described.

DESCRIPTION

FIG. 1 is a perspective view of a turbine rotor showing my new design;
FIG. 2 is a front elevation view thereof;
FIG. 3 is a rear elevation view thereof;
FIG. 4 is top plan view thereof;
FIG. 5 is a bottom plan view thereof;
FIG. 6 is a right side elevation view thereof; and,
FIG. 7 is a left side elevation view thereof.
The broken lines shown represent unclaimed subject matter and form no part of the claimed design.

1 Claim, 3 Drawing Sheets



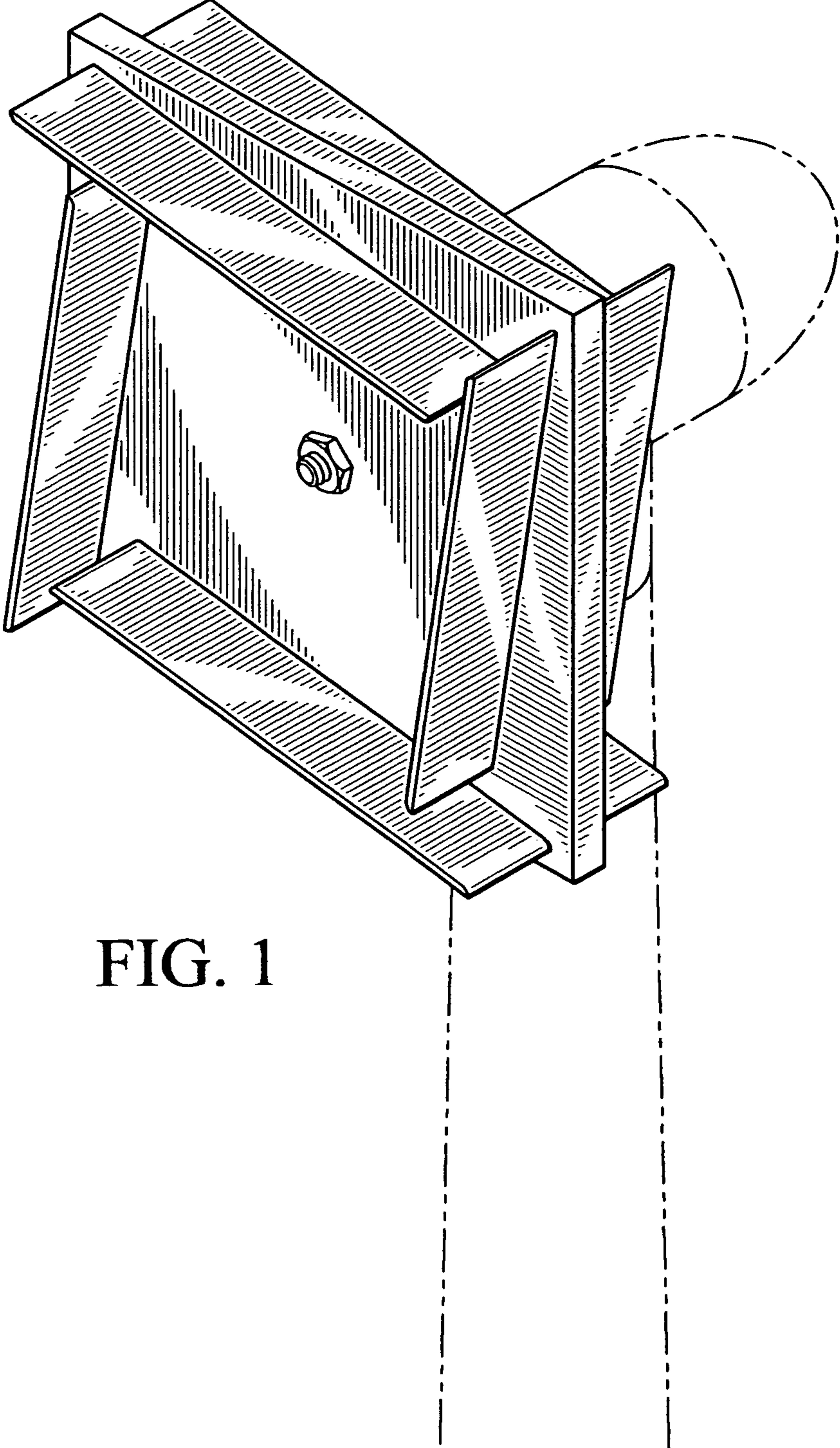


FIG. 1

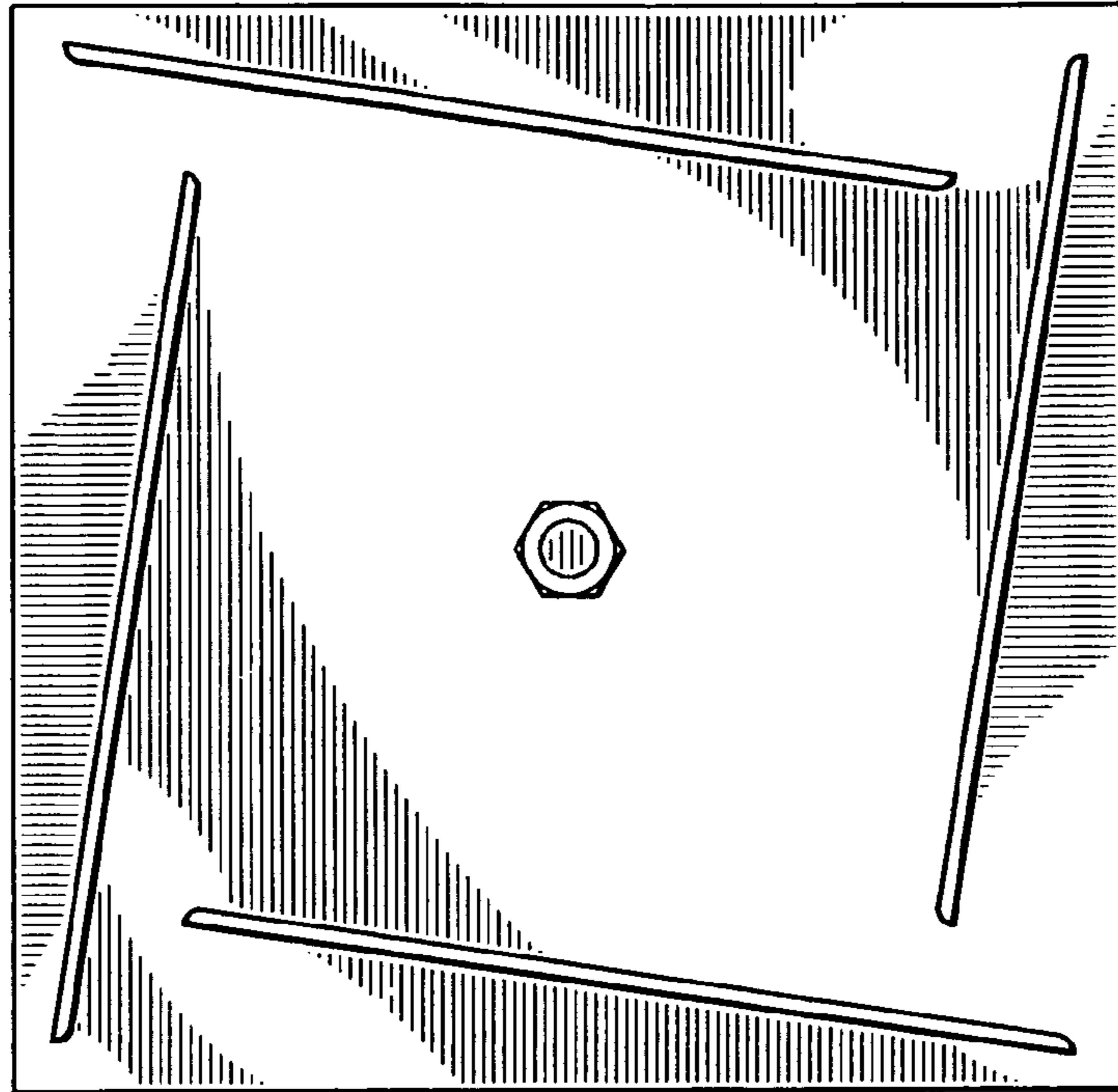


FIG. 2

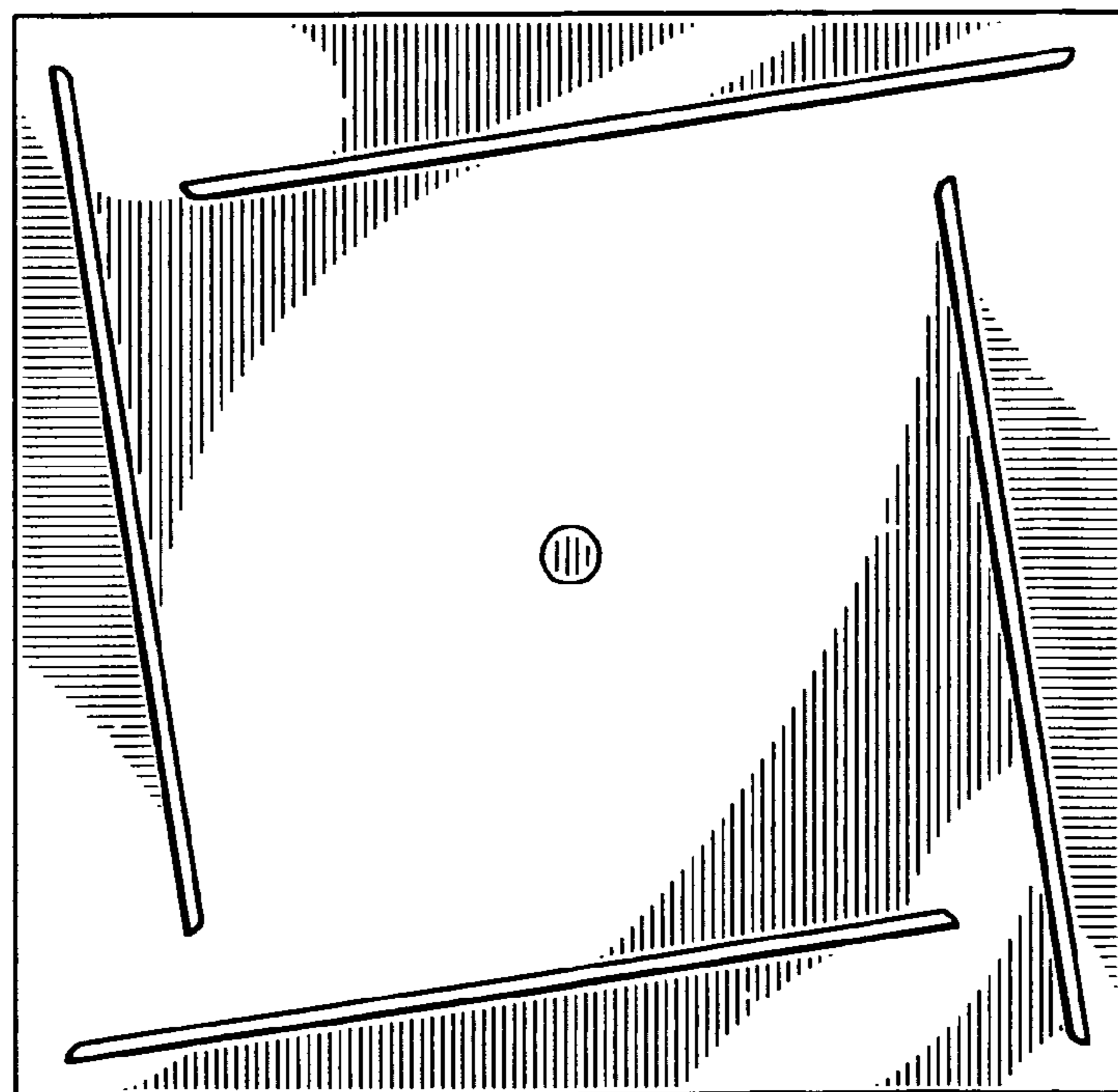


FIG. 3

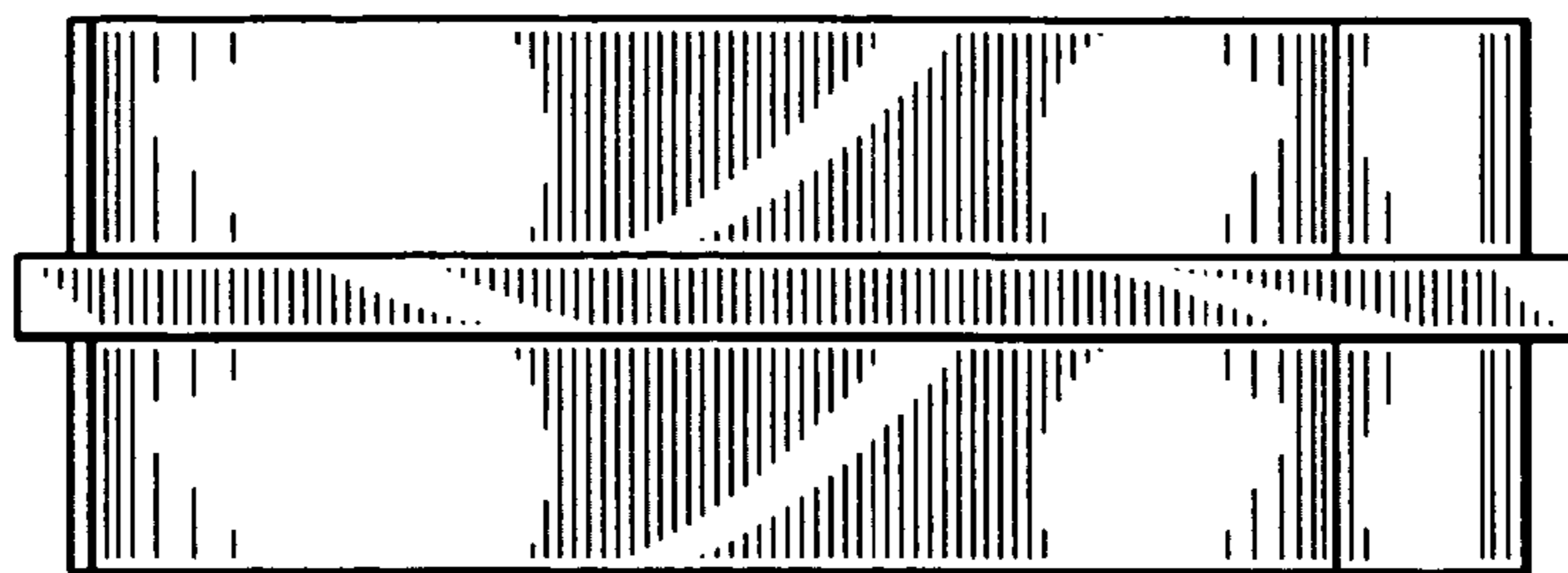


FIG. 4

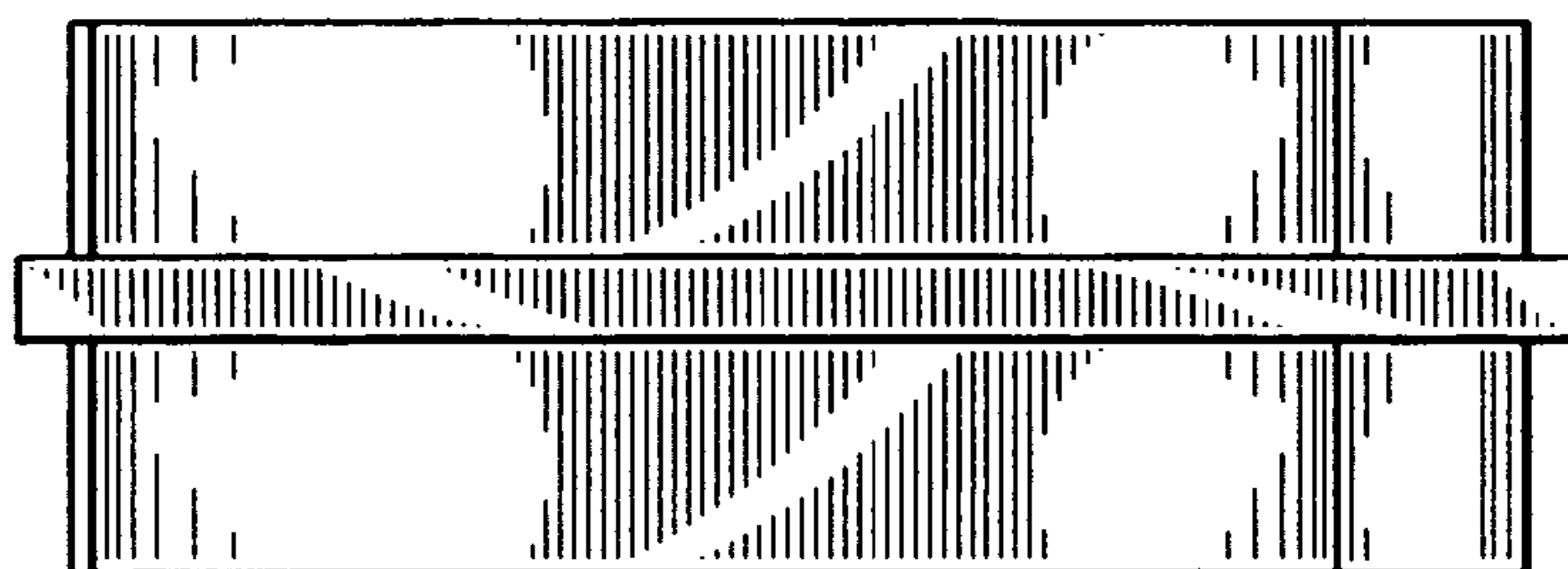


FIG. 5

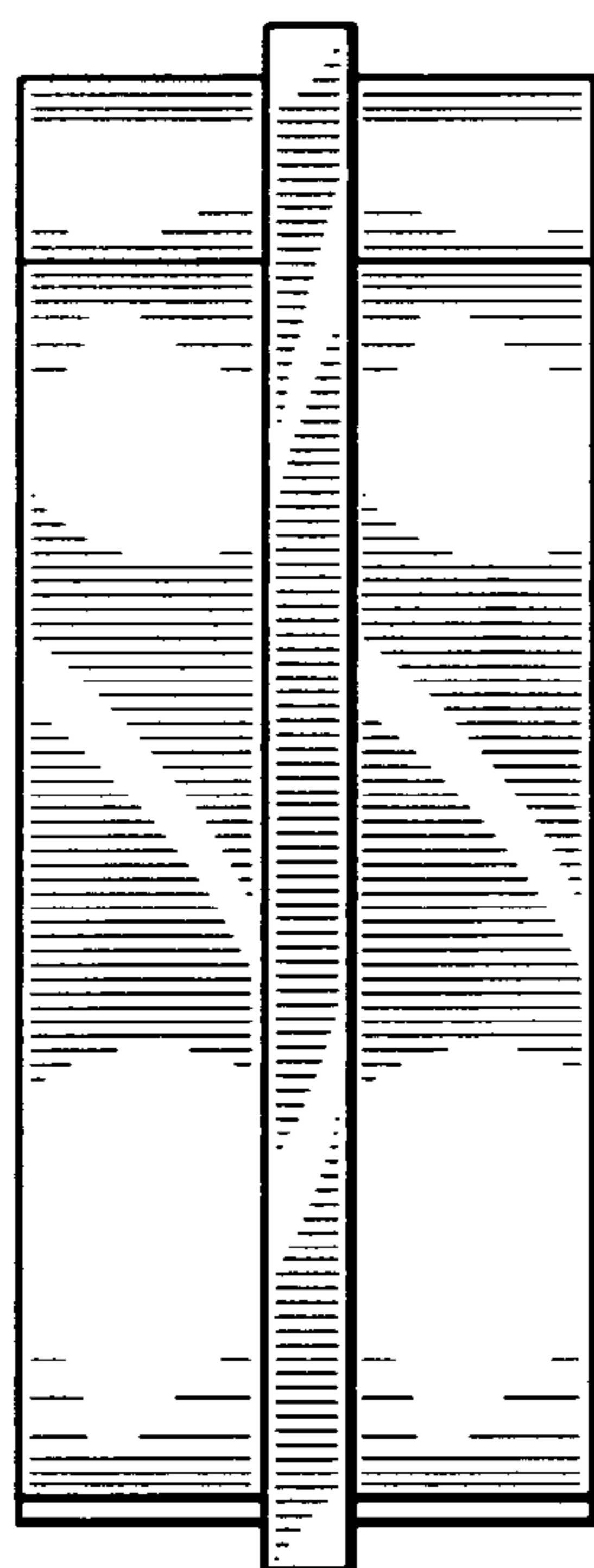


FIG. 6

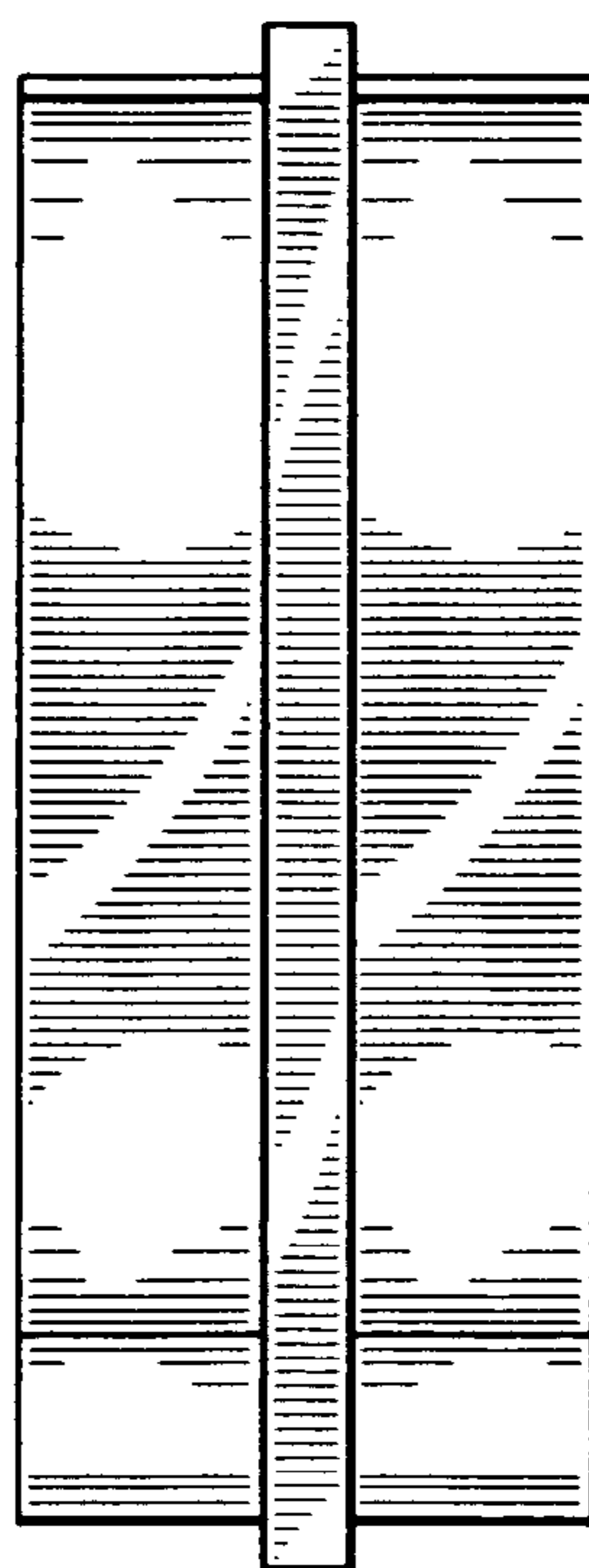


FIG. 7