



US00D689819S

(12) **United States Design Patent**
Olsson et al.

(10) **Patent No.:** **US D689,819 S**

(45) **Date of Patent:** **** Sep. 17, 2013**

(54) **POWER ADAPTER**

(75) Inventors: **Maj Isabelle Olsson**, San Francisco, CA (US); **Matthew Wyatt Martin**, Ross, CA (US)

(73) Assignee: **Google Inc.**, Mountain View, CA (US)

(**) Term: **14 Years**

(21) Appl. No.: **29/416,451**

(22) Filed: **Mar. 22, 2012**

(51) **LOC (9) Cl.** **13-02**

(52) **U.S. Cl.**
USPC **D13/110**

(58) **Field of Classification Search**
USPC D13/101, 103, 107, 108, 110, 112, D13/114, 118, 123, 133, 137.1, 138.1, 144, D13/199; 439/105, 166, 170-175, 218, 518, 439/692, 956, 135-147; 320/107-115; 307/150, 151; D9/430, 431, 432, 434, 435; D28/4-8, 33; D1/121, 125; D21/484, 487, D21/488, 491, 492, 497, 503, 504; D3/265, D3/266, 316, 901, 903, 904, 905; D14/432, D14/433, 435.1

See application file for complete search history.

(56) **References Cited**

U.S. PATENT DOCUMENTS

D10,647 S *	4/1878	Kimberly	D9/431
203,363 A *	5/1878	Muth	426/502
D68,619 S *	11/1925	Epstein	D1/127
D107,151 S *	11/1937	Helleu	D3/205
2,179,672 A *	11/1939	Roys	426/497
2,503,490 A *	4/1950	Janz	43/55
D240,165 S *	6/1976	Thomas	D28/8.1
D285,128 S *	8/1986	Yuen	D28/85
D379,640 S *	6/1997	Gilbert	D18/56
D403,656 S *	1/1999	Ichikawa	D13/103
D406,233 S *	3/1999	Kaplan	D9/423

D420,465 S *	2/2000	Cascio	D28/8.1
D428,384 S *	7/2000	Maeyama	D13/103
D439,217 S *	3/2001	Melnicoff	D13/103
D446,499 S	8/2001	Andre et al.		
D462,902 S *	9/2002	Gittins et al.	D9/430
D467,385 S *	12/2002	Crawford	D28/8.1
D532,748 S *	11/2006	Disbennett et al.	D13/110
7,329,136 B2 *	2/2008	Su et al.	439/172
D573,946 S *	7/2008	Ledbetter et al.	D13/110
D575,288 S *	8/2008	Chen	D14/432
D576,619 S *	9/2008	Udagawa et al.	D14/435.1
D580,852 S *	11/2008	Heinzen et al.	D13/103
D611,415 S	3/2010	Andre et al.		
D623,136 S	9/2010	Andre et al.		

(Continued)

Primary Examiner — Derrick Holland

Assistant Examiner — Lauren Calve

(74) *Attorney, Agent, or Firm* — Lerner, David, Littenberg, Krumholz & Mentlik, LLP

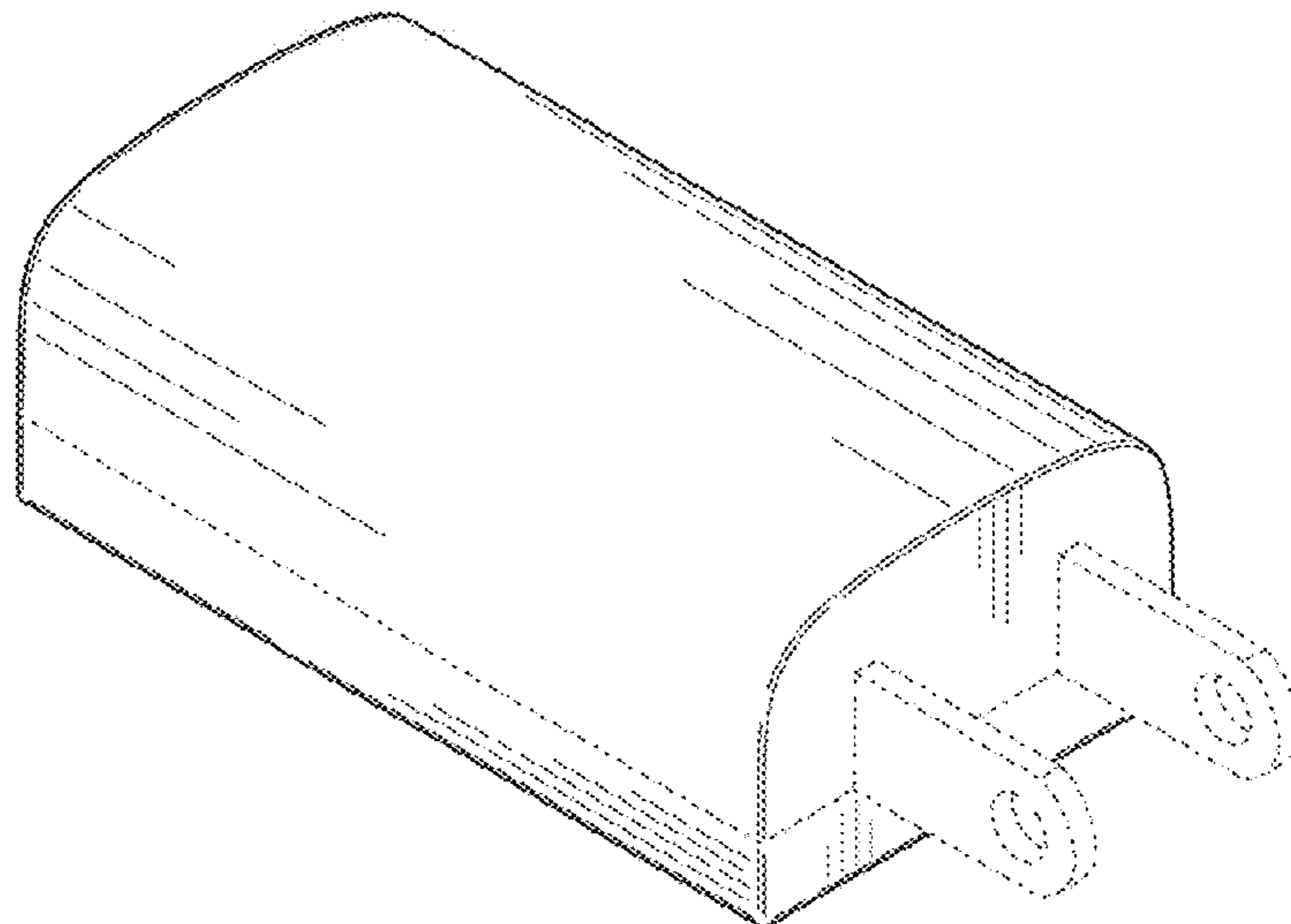
(57) **CLAIM**

The ornamental design for a power adapter, as shown and described.

DESCRIPTION

FIG. 1 is a front perspective view of a power adapter according to a first embodiment of our design; FIG. 2 is a front elevation view of the power adapter of FIG. 1; FIG. 3 is a back elevation view of the power adapter of FIG. 1; FIG. 4 is a right elevation view of the power adapter of FIG. 1; FIG. 5 is a left elevation view of the power adapter of FIG. 1; FIG. 6 is a top plan view of the power adapter of FIG. 1; and, FIG. 7 is a bottom plan view of the power adapter of FIG. 1. The broken line showing of a power adapter represents unclaimed subject matter and forms no part of the claimed design.

1 Claim, 2 Drawing Sheets



US D689,819 S

Page 2

(56)

References Cited

U.S. PATENT DOCUMENTS

D631,226 S * 1/2011 Bearson et al. D1/129
D631,885 S * 2/2011 Maier D14/435.1

D638,363 S * 5/2011 Ledbetter et al. D13/147
D648,726 S * 11/2011 Behar et al. D14/435.1
2011/0139592 A1* 6/2011 Su et al. 200/51.02

* cited by examiner

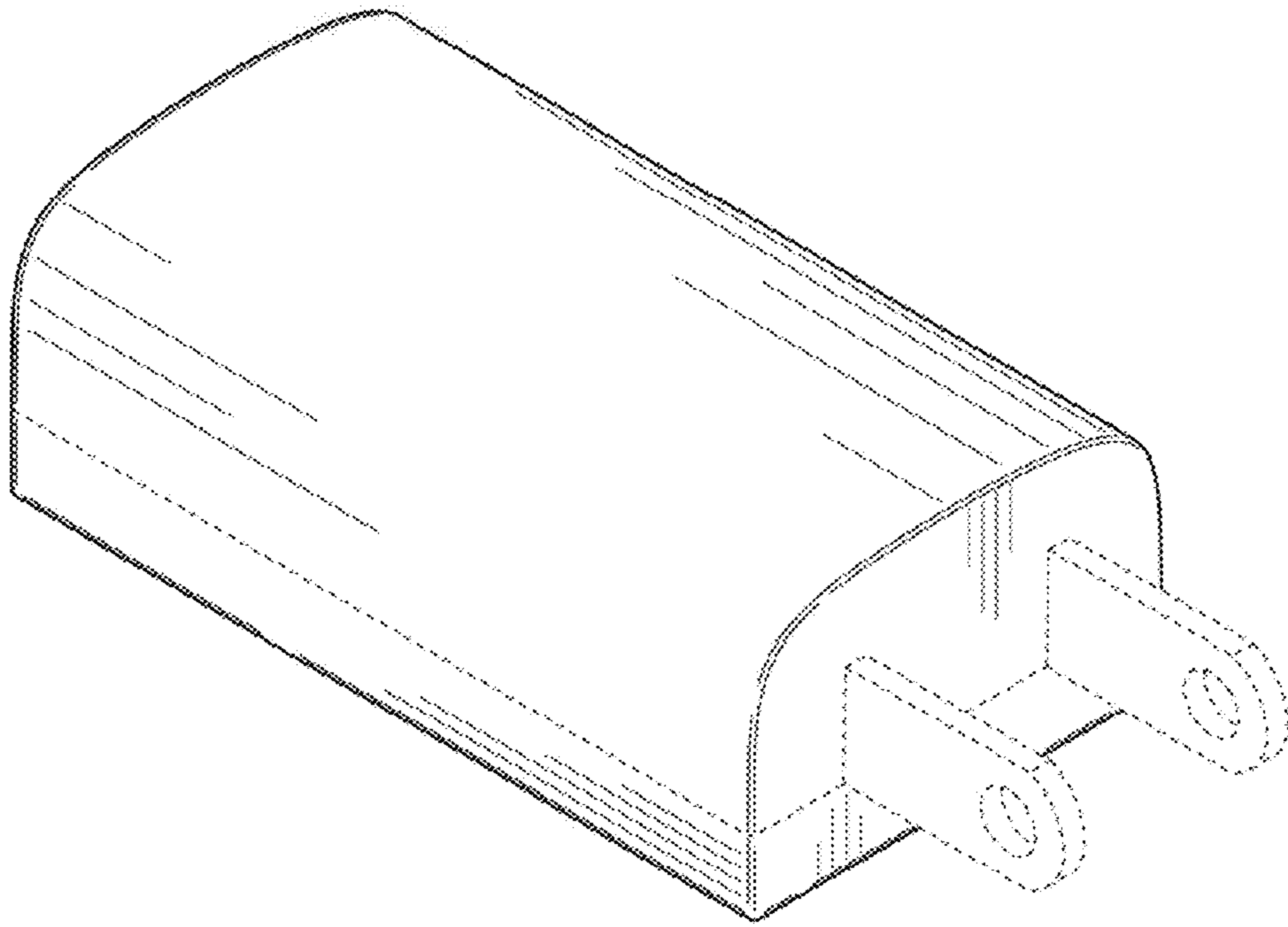


FIG. 1

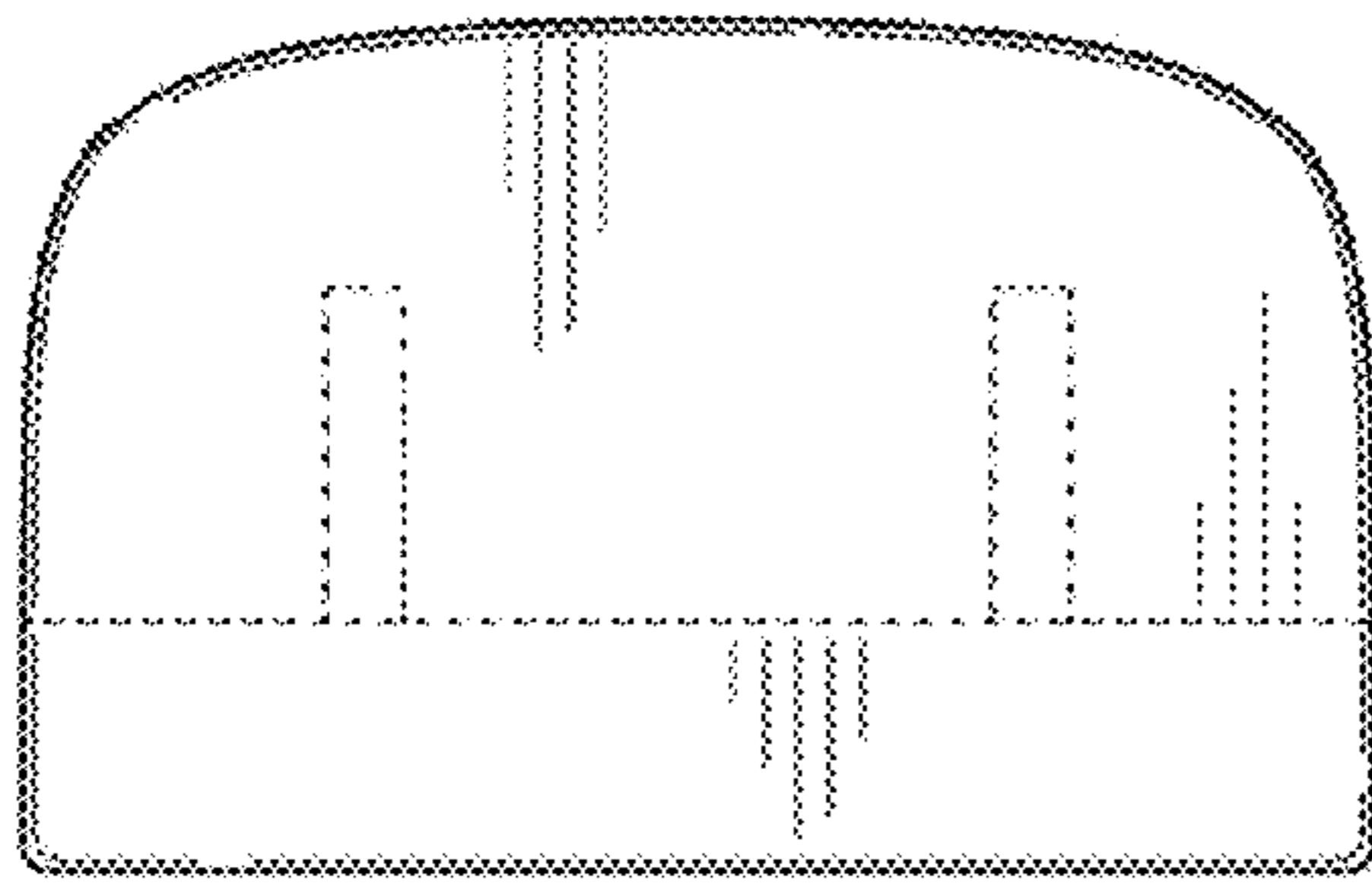


FIG. 2

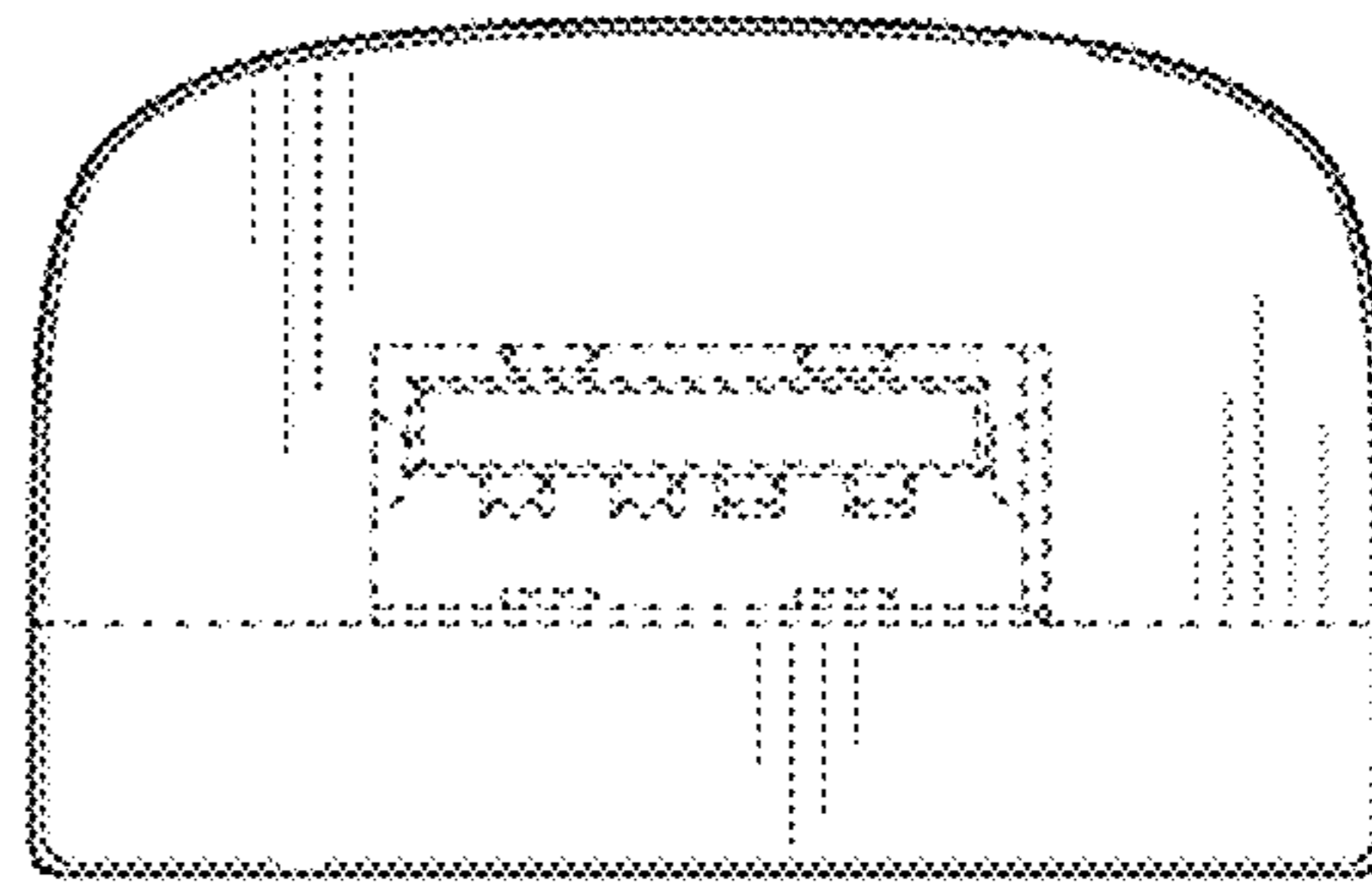


FIG. 3

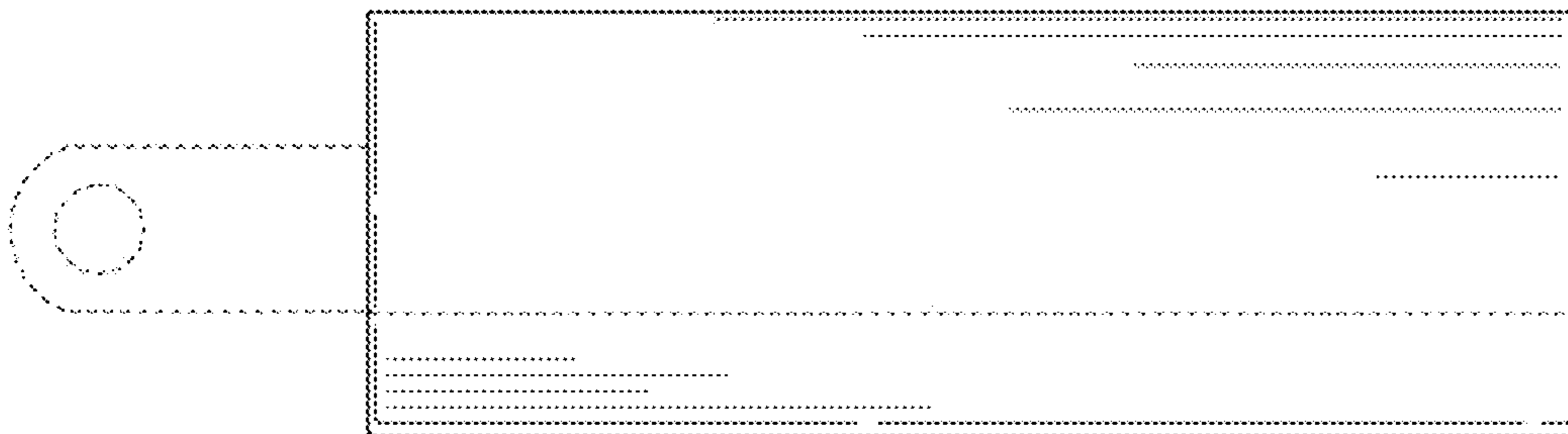


FIG. 4

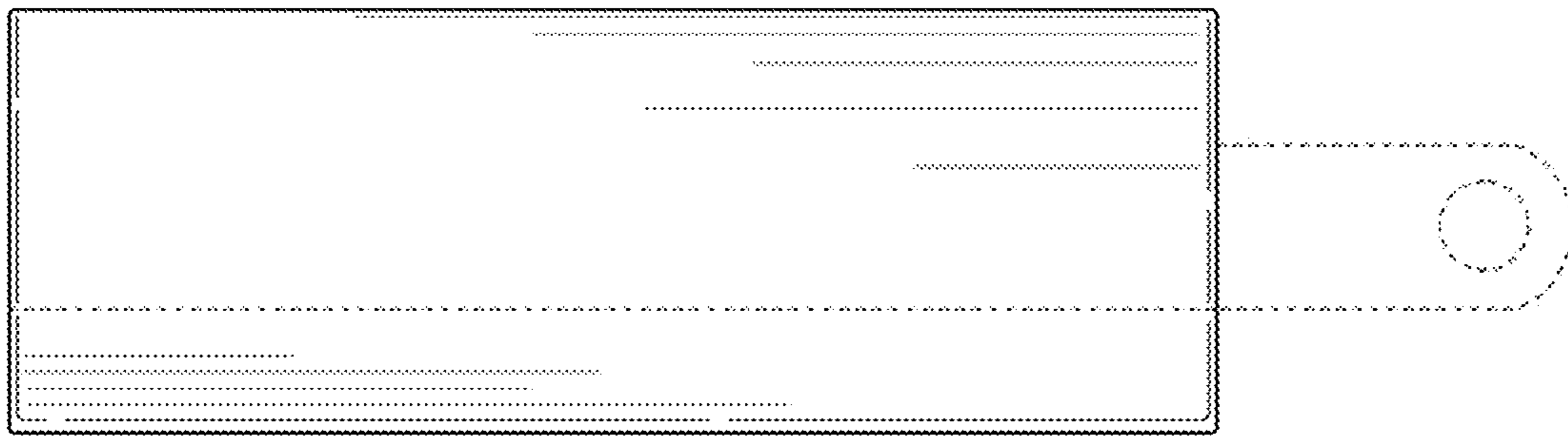


FIG. 5

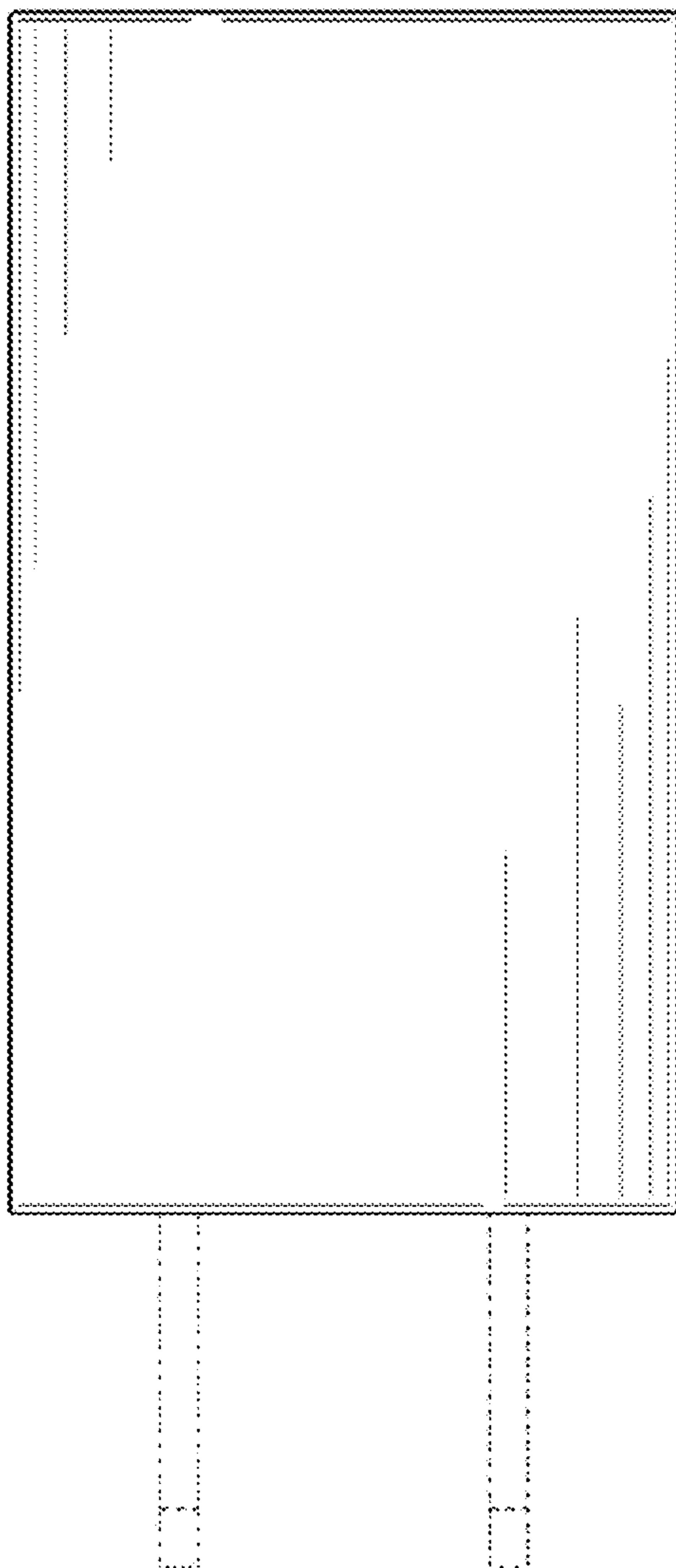


FIG. 6

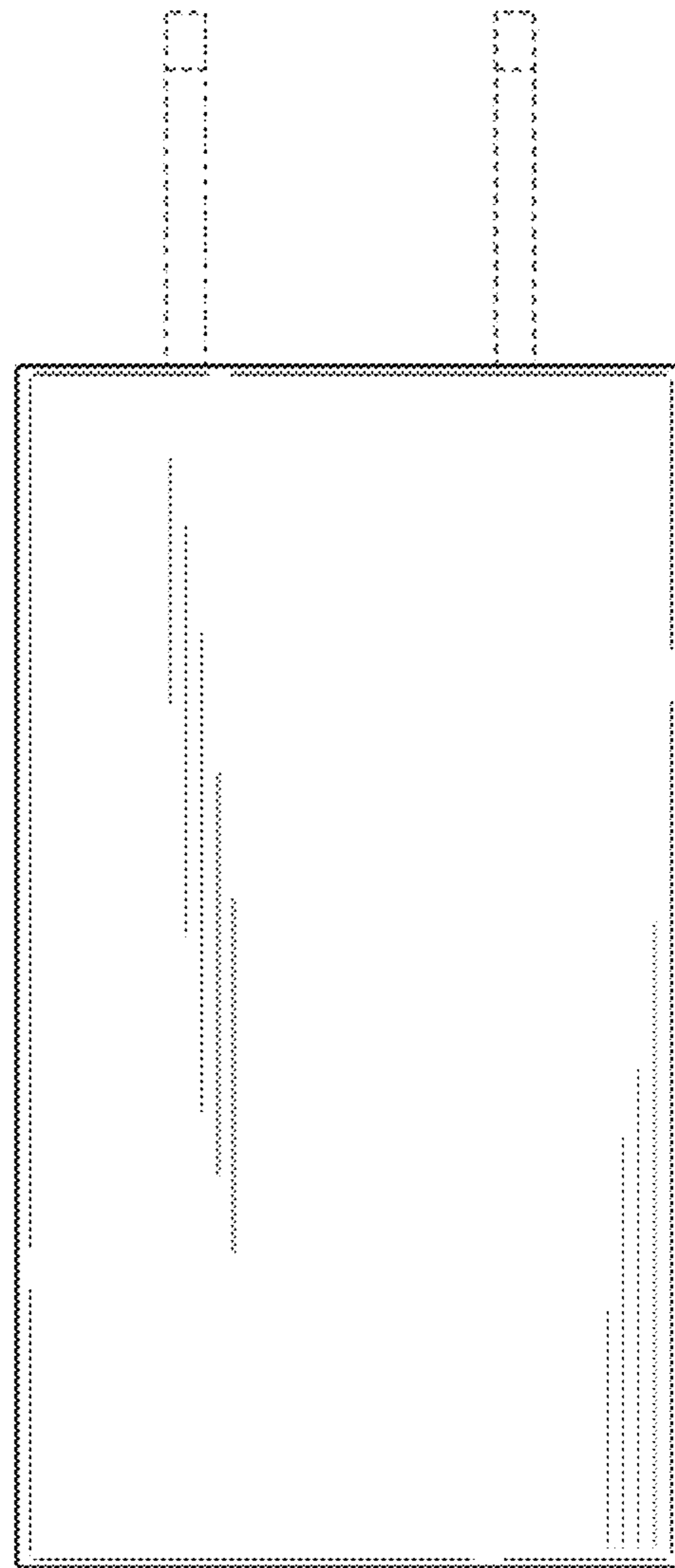


FIG. 7