



US00D689818S

(12) **United States Design Patent**
Sasada

(10) **Patent No.:** **US D689,818 S**

(45) **Date of Patent:** **** Sep. 17, 2013**

(54) **CHARGER**

(71) Applicant: **SANYO Electric Co., Ltd.**, Moriguchi (JP)

(72) Inventor: **Motohiro Sasada**, Sumoto (JP)

(73) Assignee: **SANYO Electric Co., Ltd.**, Moriguchi-shi, Osaka (JP)

(**) Term: **14 Years**

(21) Appl. No.: **29/445,534**

(22) Filed: **Feb. 13, 2013**

(30) **Foreign Application Priority Data**

Aug. 20, 2012 (JP) 2012-019806

(51) **LOC (9) Cl.** **13-02**

(52) **U.S. Cl.**
USPC **D13/107**

(58) **Field of Classification Search**
USPC D13/107-110, 118-119, 184, 199;
D14/217, 251, 253, 432, 434; 320/107-115
See application file for complete search history.

(56) **References Cited**

U.S. PATENT DOCUMENTS

D454,837 S *	3/2002	Ibuki et al.	D13/107
D515,501 S *	2/2006	Kawasaki	D13/107
D546,281 S *	7/2007	Bell	D13/107
D571,722 S *	6/2008	Kang et al.	D13/107
D573,088 S *	7/2008	Castellucci et al.	D13/107
D574,321 S *	8/2008	Osiecki et al.	D13/107
D575,729 S *	8/2008	Nomi et al.	D13/107
D587,190 S *	2/2009	Hine et al.	D13/107
D599,287 S *	9/2009	Kingston et al.	D13/107

D623,129 S *	9/2010	Kawakami et al.	D13/107
D623,130 S *	9/2010	Kawakami et al.	D13/107
D667,785 S *	9/2012	Ueda et al.	D13/107

FOREIGN PATENT DOCUMENTS

JP	1281666 S	9/2006
JP	1368189 S	8/2009
JP	1388540 S	5/2010

* cited by examiner

Primary Examiner — Rosemary K Tarcza

(74) *Attorney, Agent, or Firm* — Westerman, Hattori, Daniels & Adrian, LLP

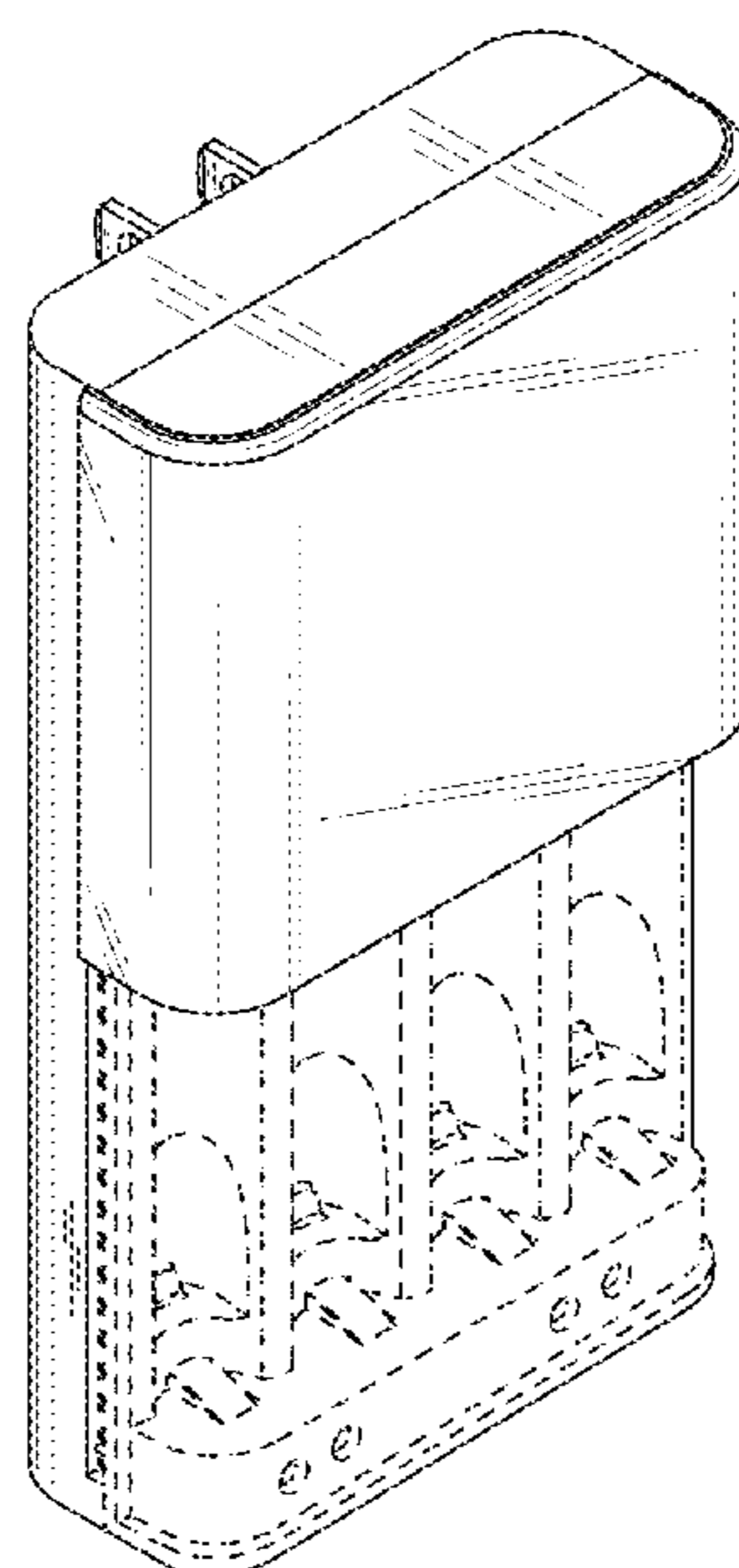
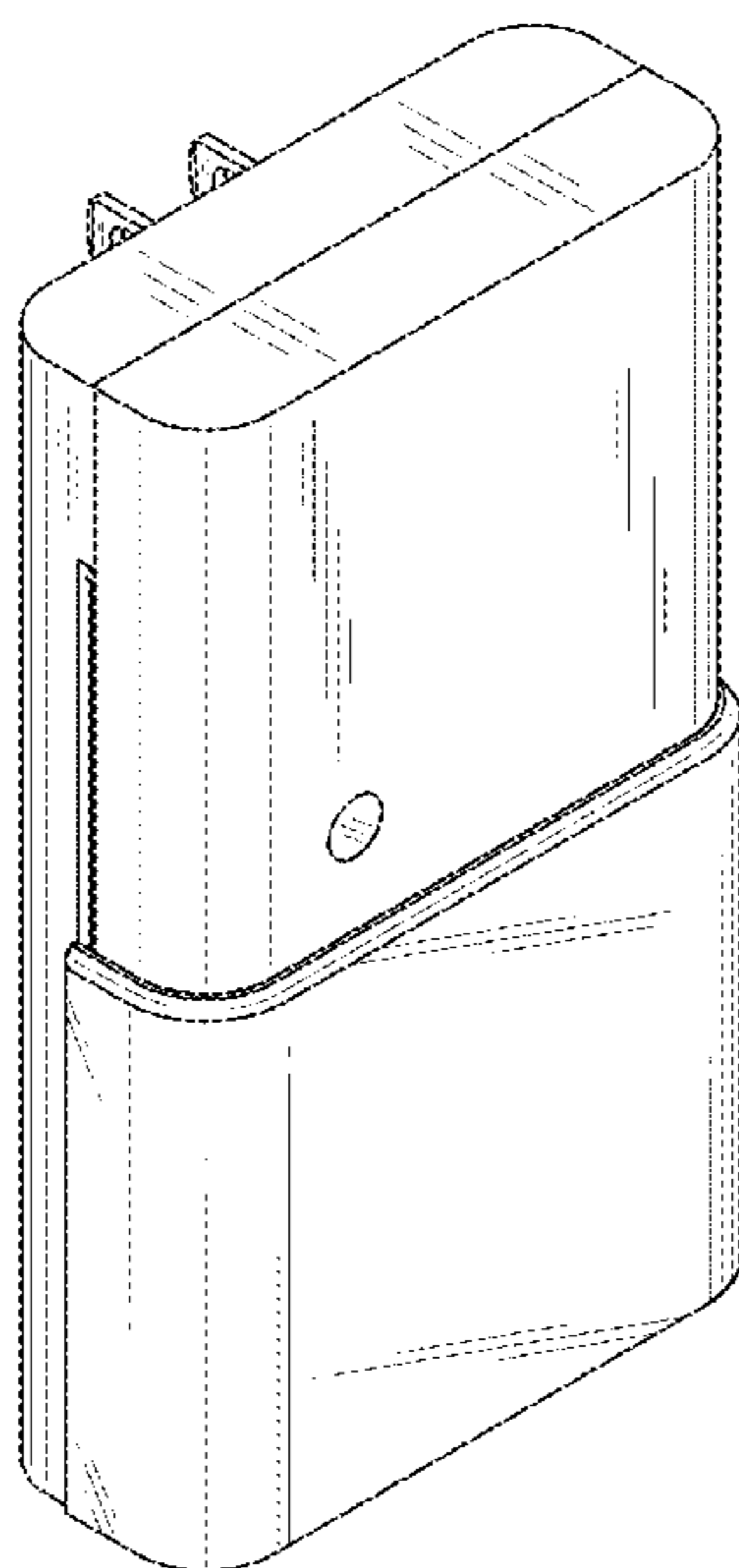
(57) **CLAIM**

The ornamental design for a charger, as shown and described.

DESCRIPTION

FIG. 1 is a left front perspective view of a charger, showing my new design;
 FIG. 2 is a right rear perspective view thereof;
 FIG. 3 is a front elevational view thereof;
 FIG. 4 is a rear elevational view thereof;
 FIG. 5 is a top plan view thereof;
 FIG. 6 is a bottom plan view thereof;
 FIG. 7 is a right side elevational view thereof;
 FIG. 8 is a left side elevational view thereof;
 FIG. 9 is a cross-sectional view taken along line 9-9 of FIG. 3;
 FIG. 10 is a right rear perspective view thereof, showing the plug in a stored position; and,
 FIG. 11 is a left front perspective view thereof, showing the cover in an open position.
 The broken lines illustrate environmental structure only and form no part of the claimed design.

1 Claim, 11 Drawing Sheets



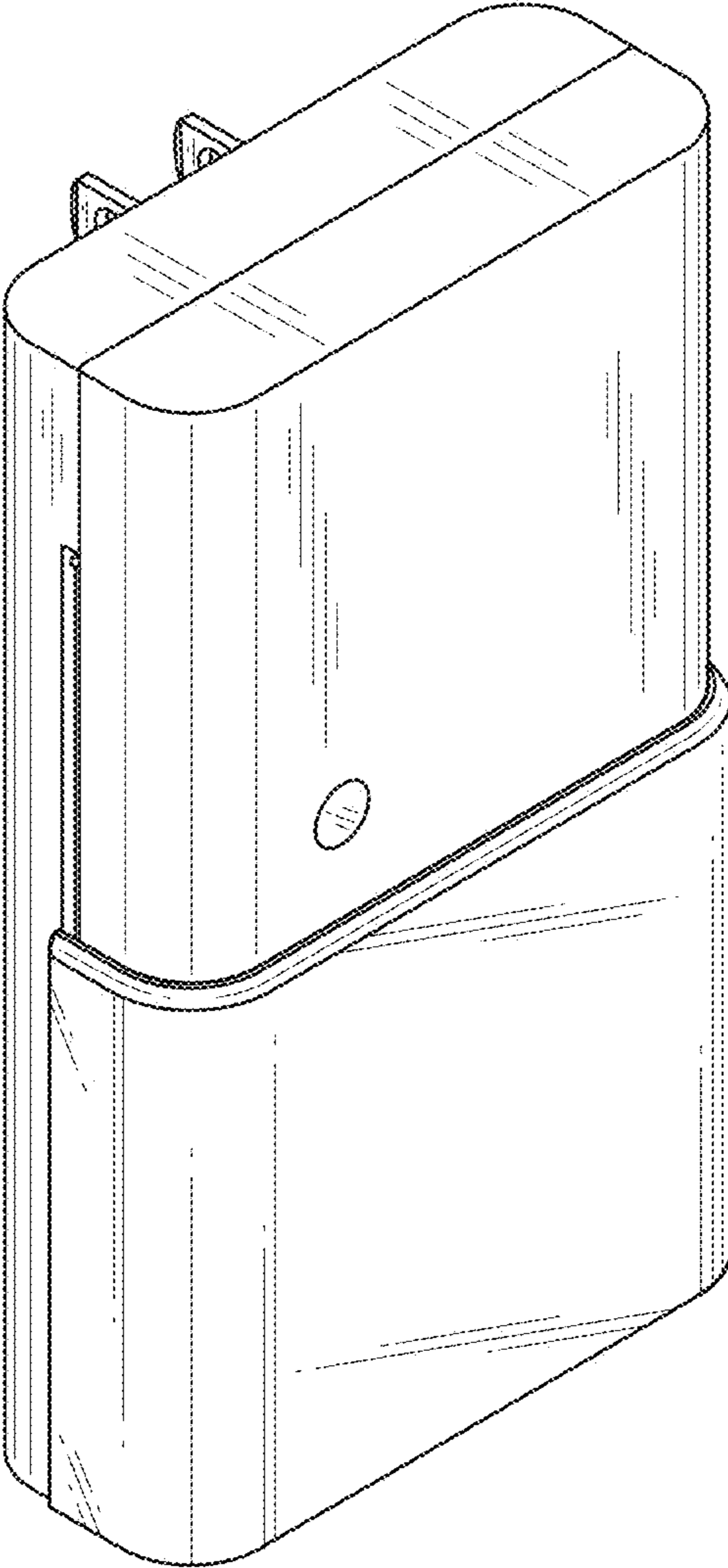


FIG. 1

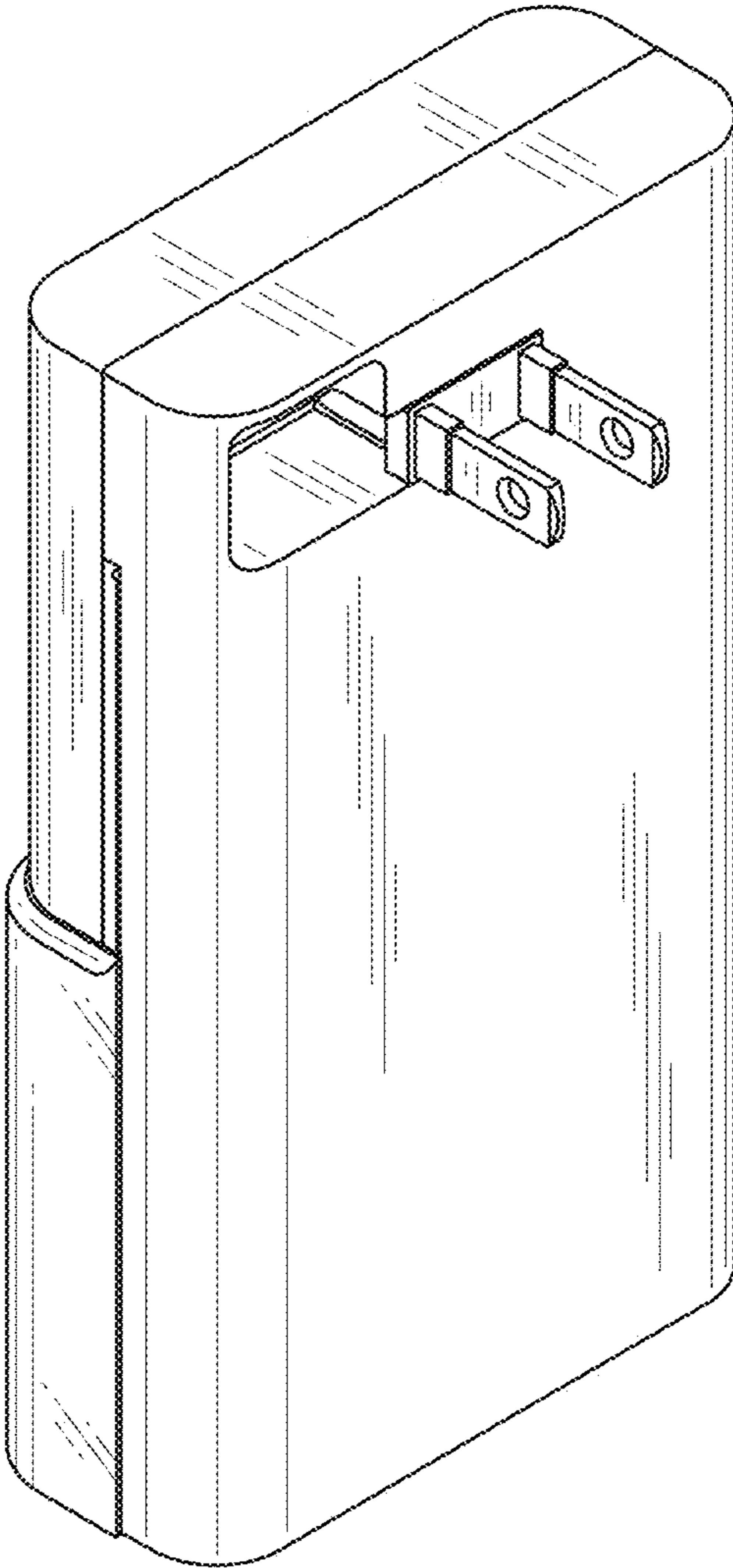


FIG.2

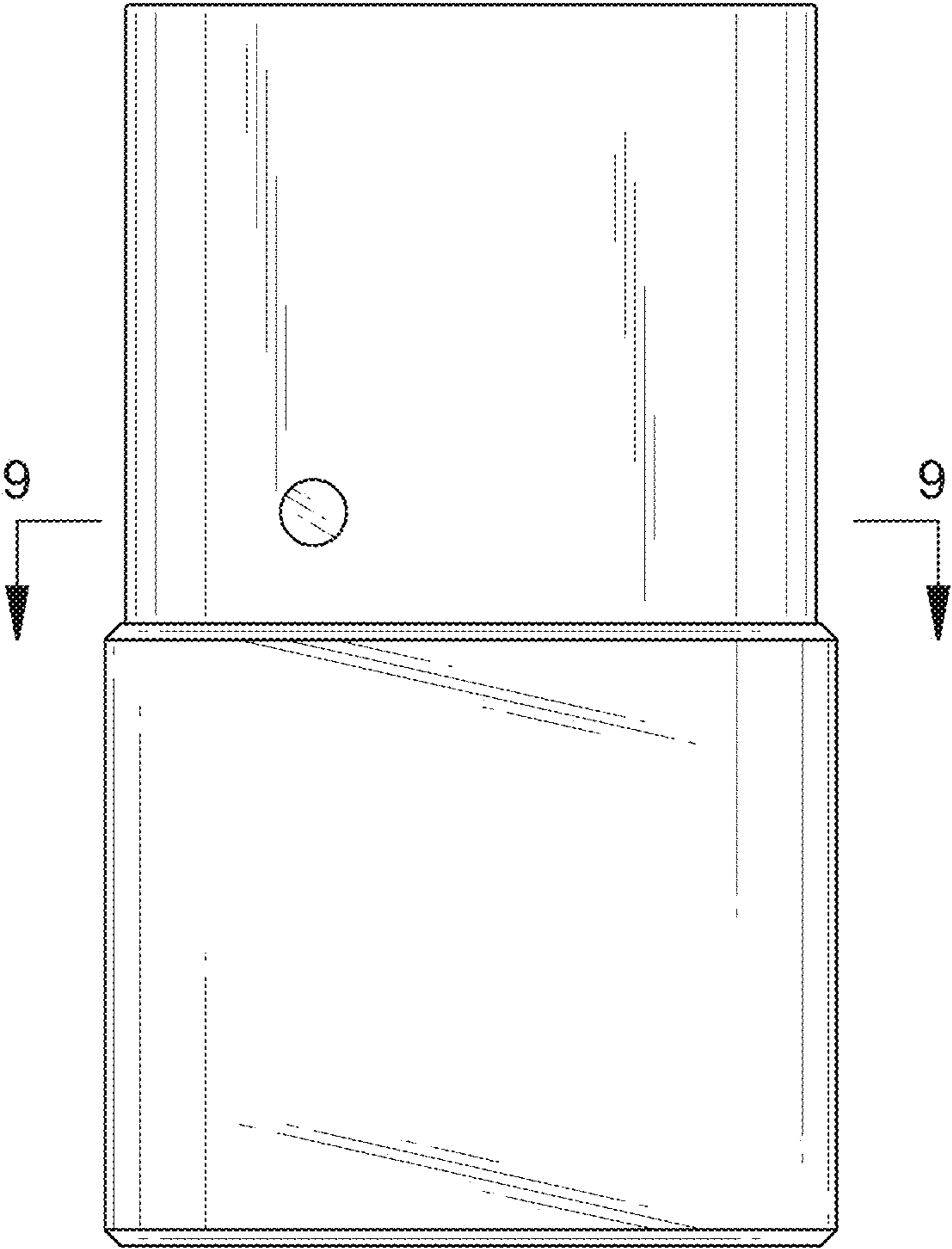


FIG.3

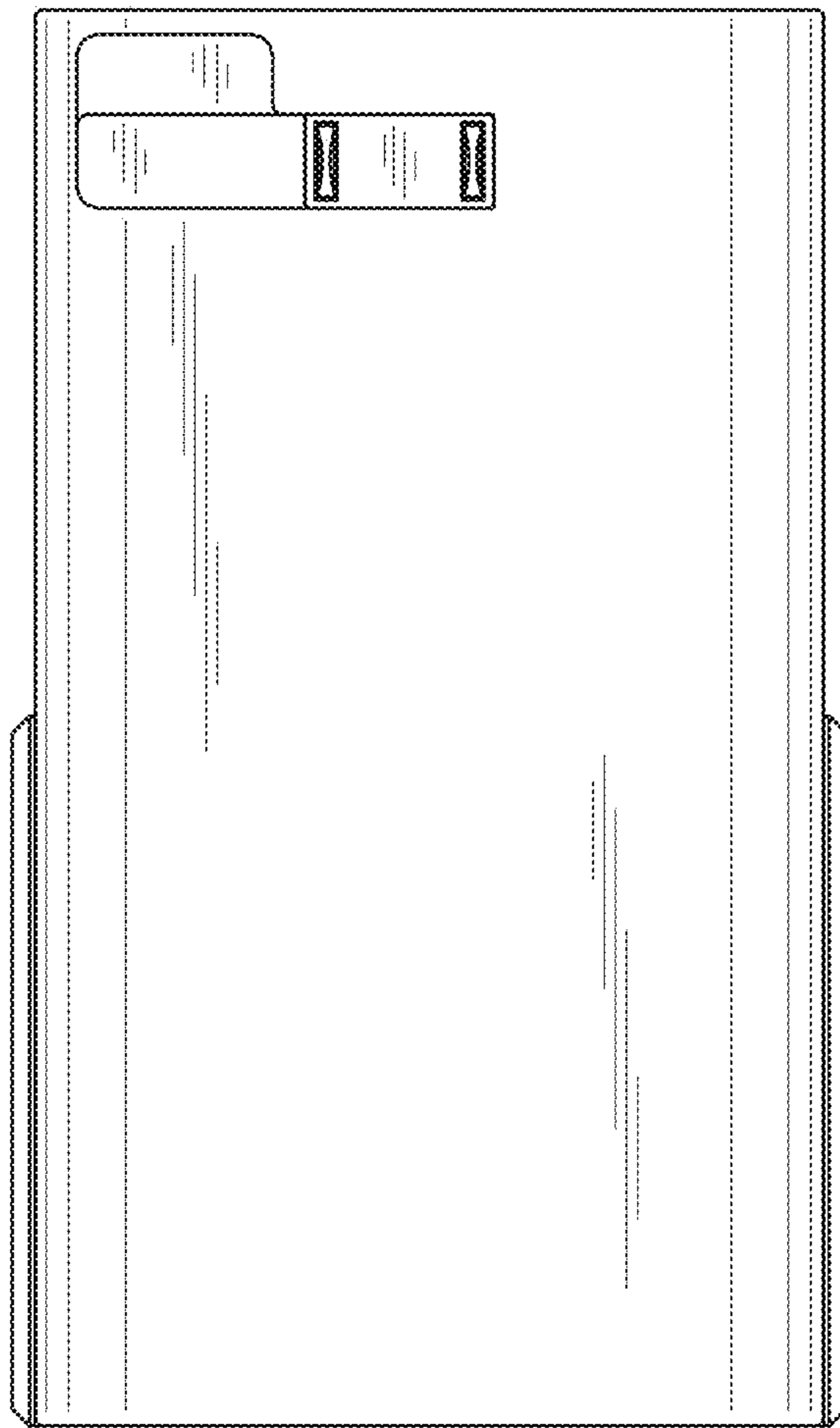


FIG.4

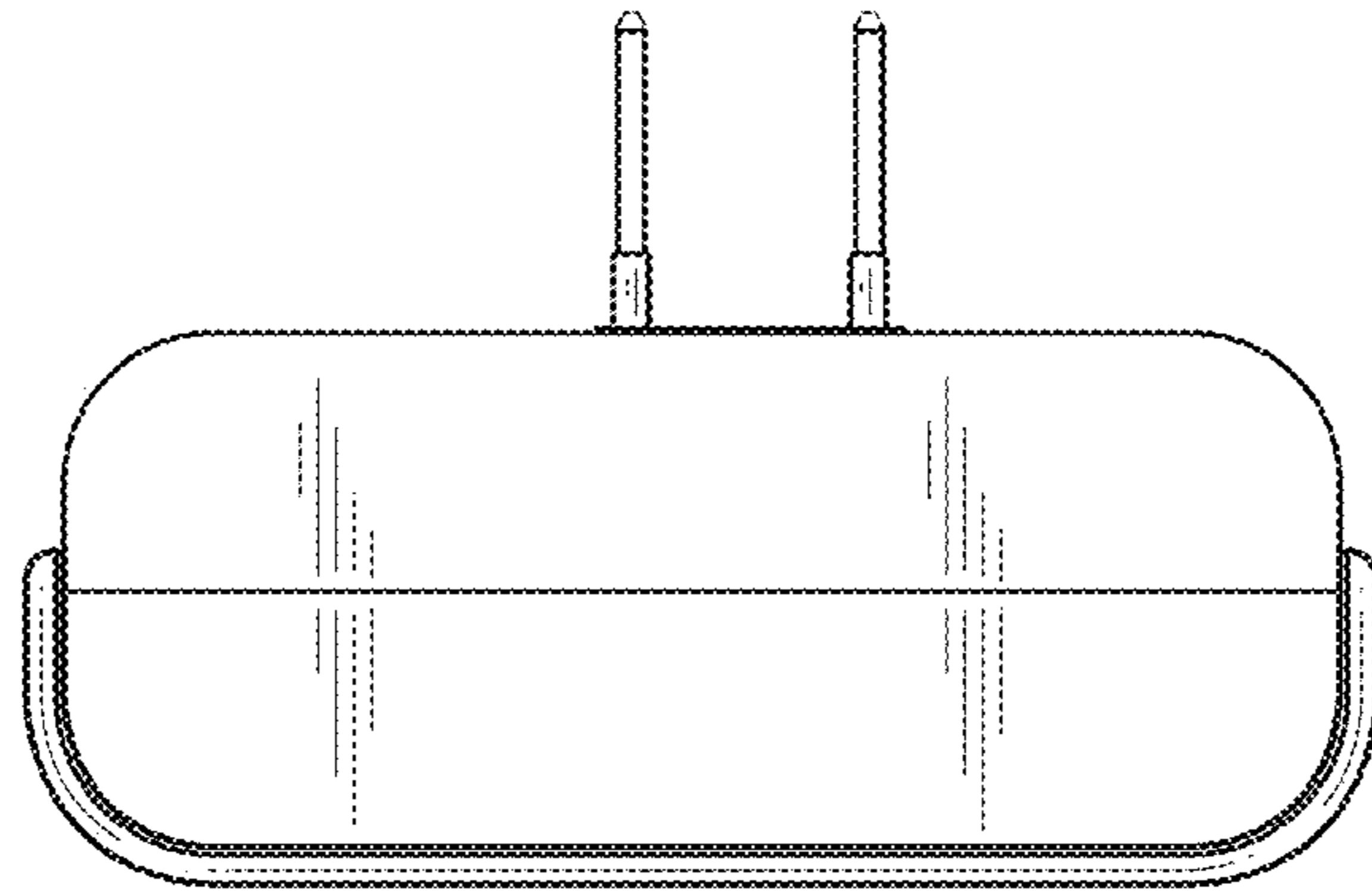


FIG. 5

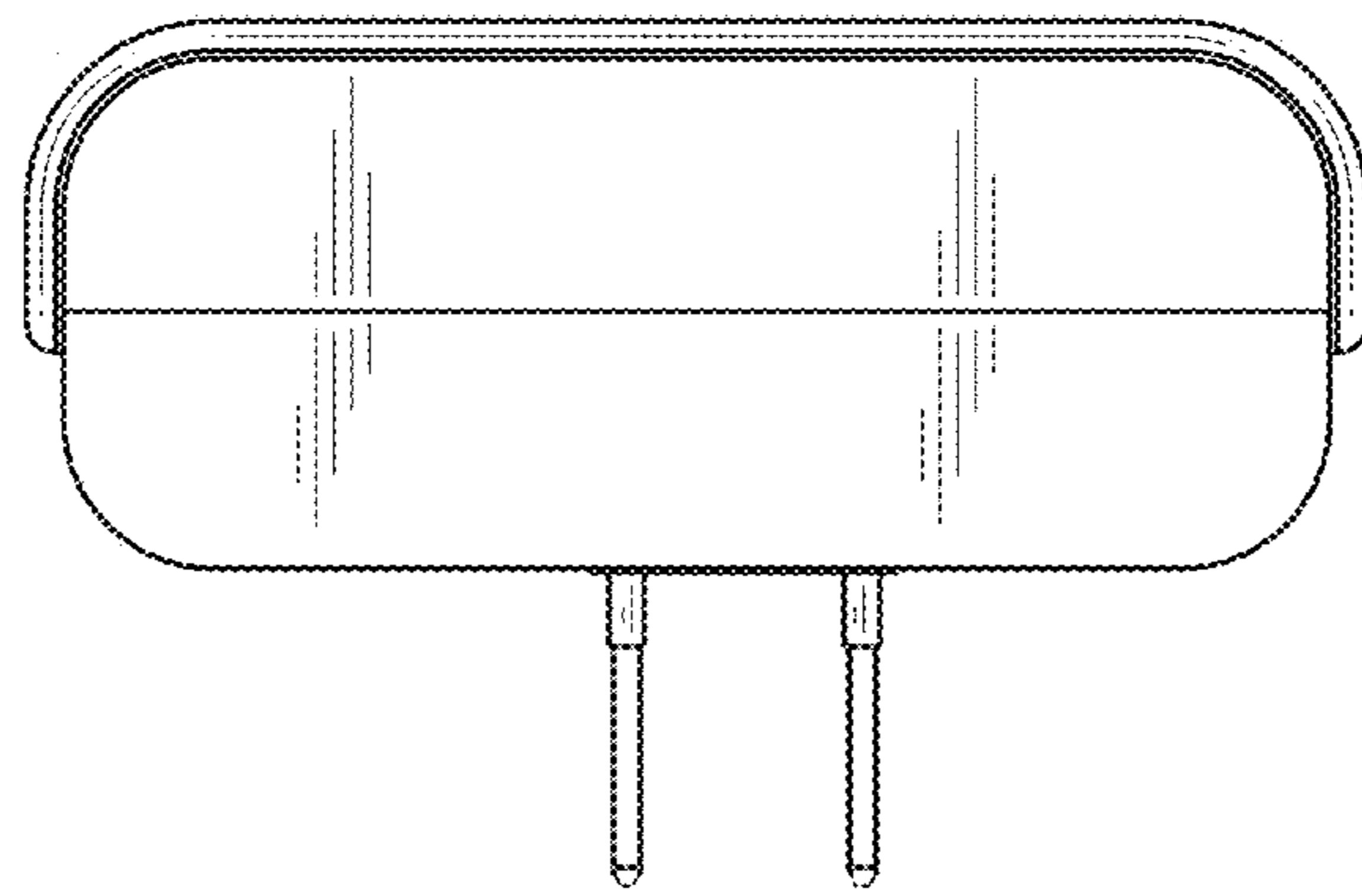


FIG. 6

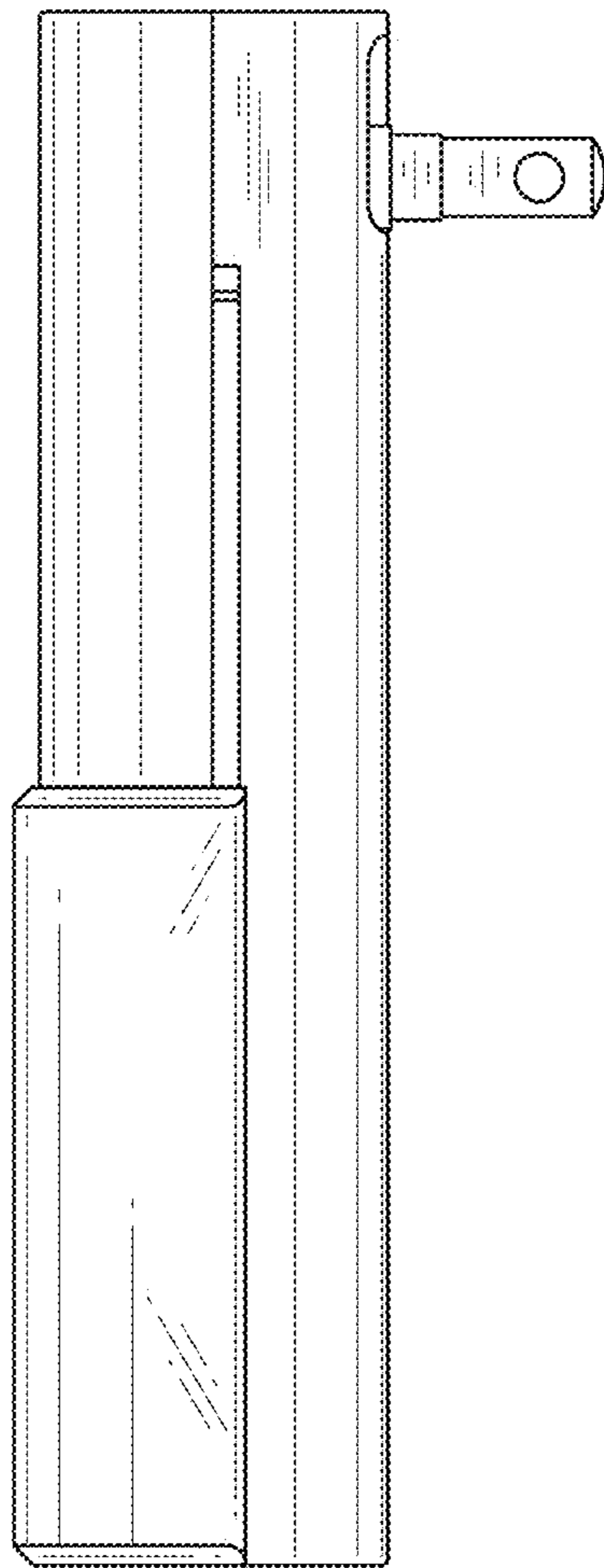


FIG.7

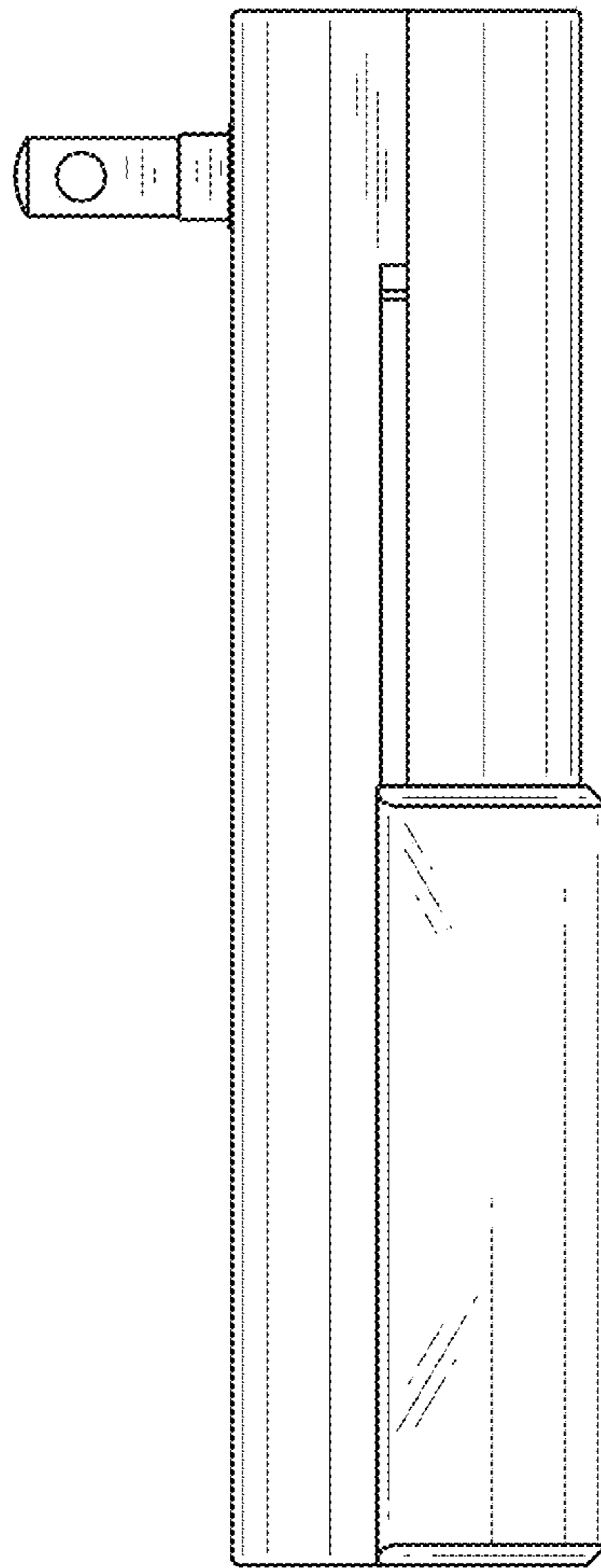


FIG.8

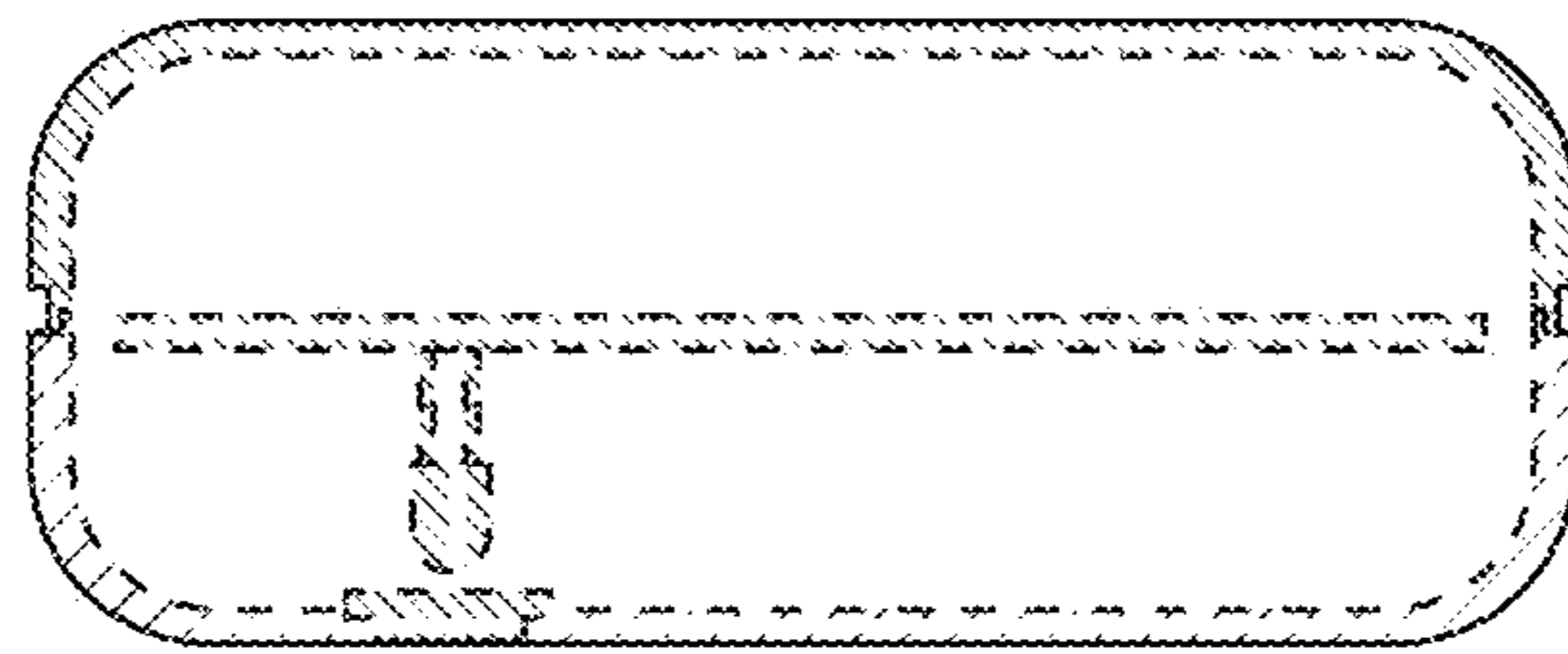


FIG.9

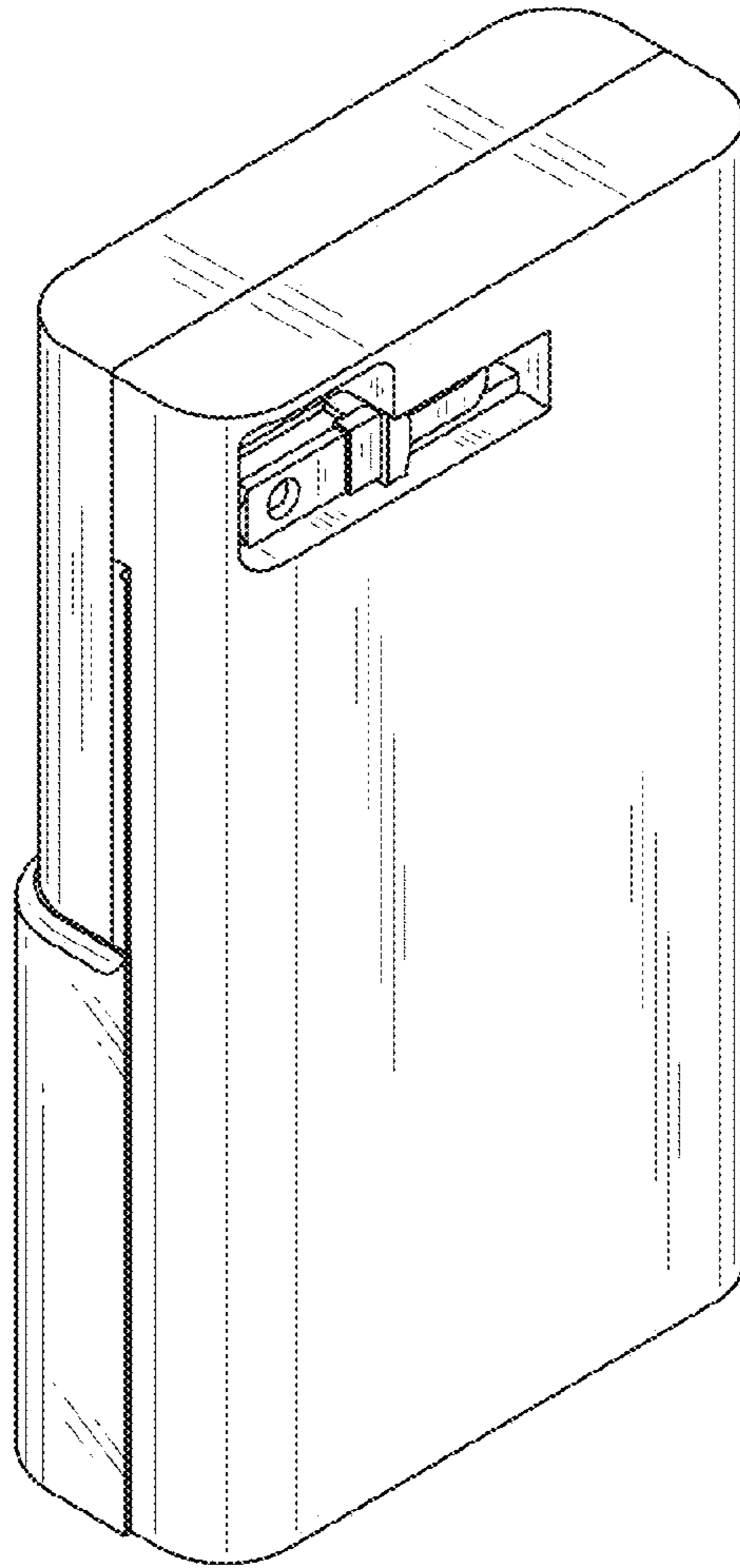


FIG. 10

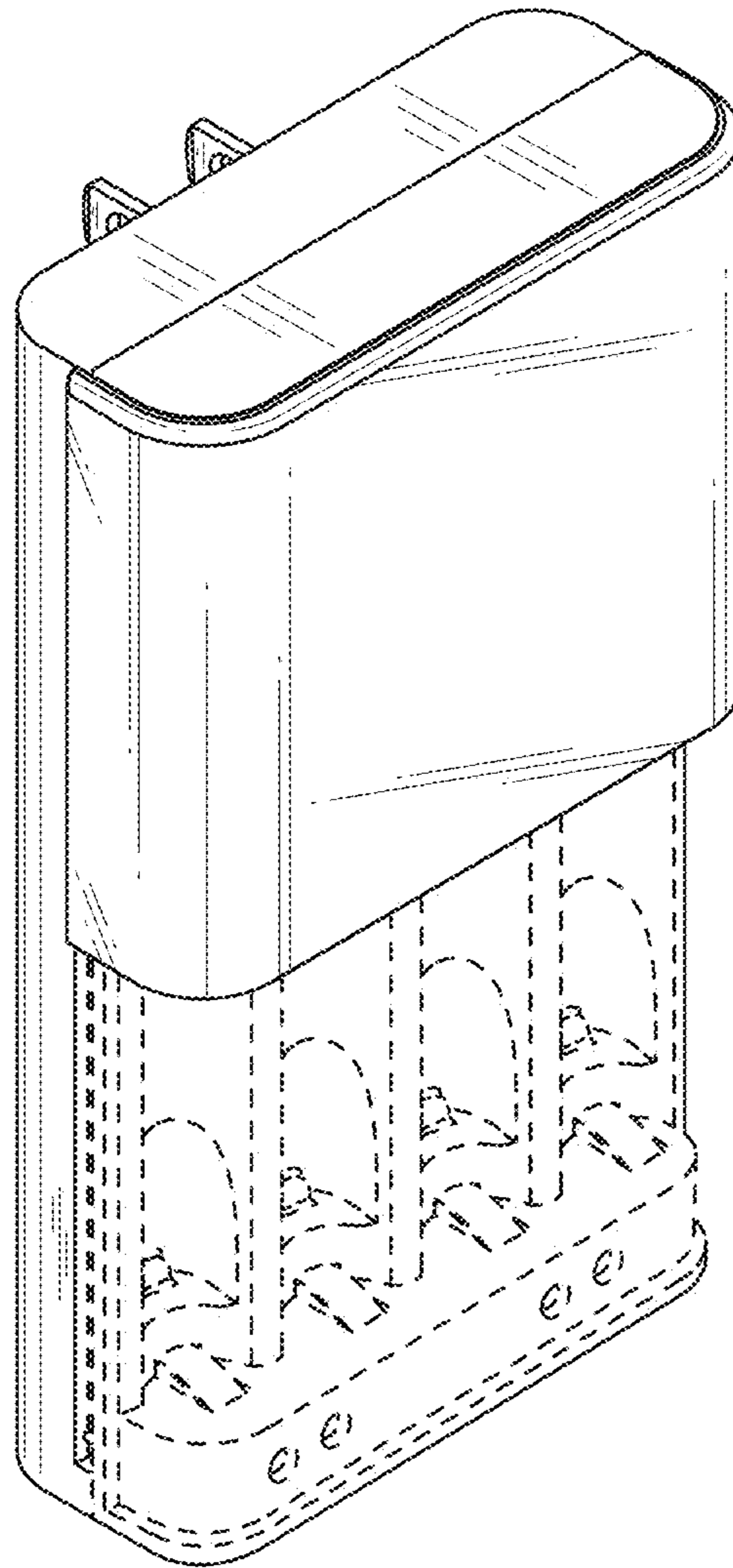


FIG. 11