



US00D689817S

(12) **United States Design Patent**  
**Sun et al.**

(10) **Patent No.:** **US D689,817 S**

(45) **Date of Patent:** **\*\* \*Sep. 17, 2013**

(54) **CASING FOR A PORTABLE SOLAR PANEL**

(71) Applicants: **Sean Sun**, Shenzhen (CN); **Xianyi Wu**, Singapore (SG)

(72) Inventors: **Sean Sun**, Shenzhen (CN); **Xianyi Wu**, Singapore (SG)

(73) Assignee: **D. Light Design, Inc.**, Grand Cayman (KY)

(\*) Notice: This patent is subject to a terminal disclaimer.

(\*\*) Term: **14 Years**

(21) Appl. No.: **29/443,209**

(22) Filed: **Jan. 14, 2013**

(51) **LOC (9) Cl.** ..... **13-02**

(52) **U.S. Cl.**  
USPC ..... **D13/102**

(58) **Field of Classification Search**  
USPC ..... D13/102, 101, 103, 107, 108, 199;  
136/206, 243, 244, 245, 252; 320/101, 102,  
320/114, 115, 120  
See application file for complete search history.

(56) **References Cited**

U.S. PATENT DOCUMENTS

4,786,851 A \* 11/1988 Fuji et al. .... 320/101  
5,522,943 A \* 6/1996 Spencer et al. .... 136/245

D391,921 S \* 3/1998 Zimmer et al. .... D13/102  
D395,279 S \* 6/1998 Peress et al. .... D13/107  
6,476,311 B1 \* 11/2002 Lee et al. .... 136/244  
D489,680 S \* 5/2004 Stobart ..... D13/107  
D559,174 S \* 1/2008 Sharma et al. .... D13/102  
D578,961 S \* 10/2008 Fisher et al. .... D13/108  
D610,080 S \* 2/2010 Kawakami et al. .... D13/102  
D620,431 S \* 7/2010 Sasada et al. .... D13/102  
D647,048 S \* 10/2011 Sasada et al. .... D13/102

\* cited by examiner

*Primary Examiner* — Derrick Holland

(74) *Attorney, Agent, or Firm* — Brett Lovejoy; Morgan, Lewis & Bockius LLP

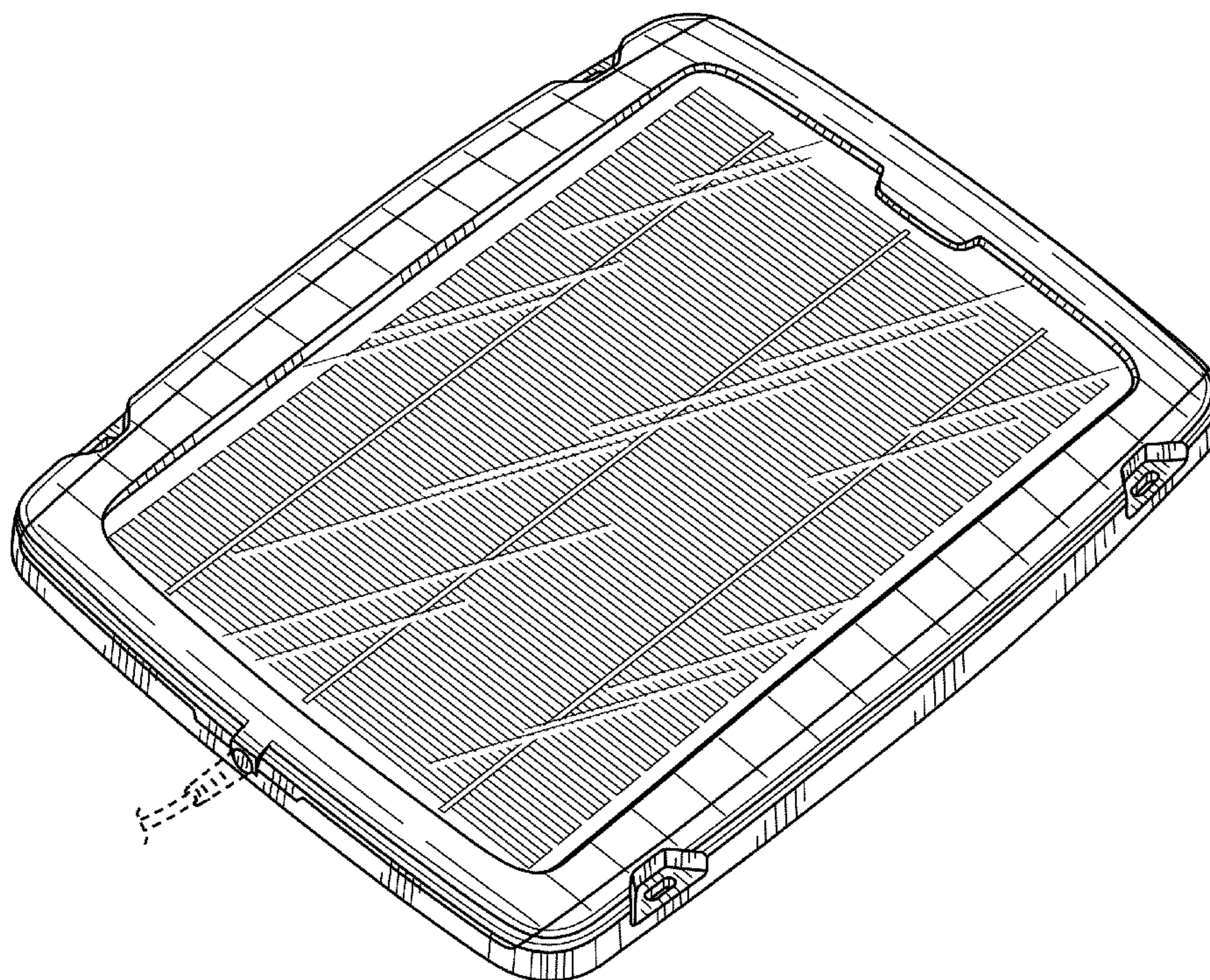
(57) **CLAIM**

The ornamental design for a casing for a portable solar panel, as shown and described.

**DESCRIPTION**

FIG. 1. is a front-top perspective view of a casing for a portable solar panel showing our new design.  
FIG. 2 is a top view thereof;  
FIG. 3 is a bottom view thereof;  
FIG. 4 is a side view thereof;  
FIG. 5 is a front view thereof; and,  
FIG. 6 is a back view thereof.  
The broken lines shown represent unclaimed subject matter and form no part of the claimed design.

**1 Claim, 6 Drawing Sheets**





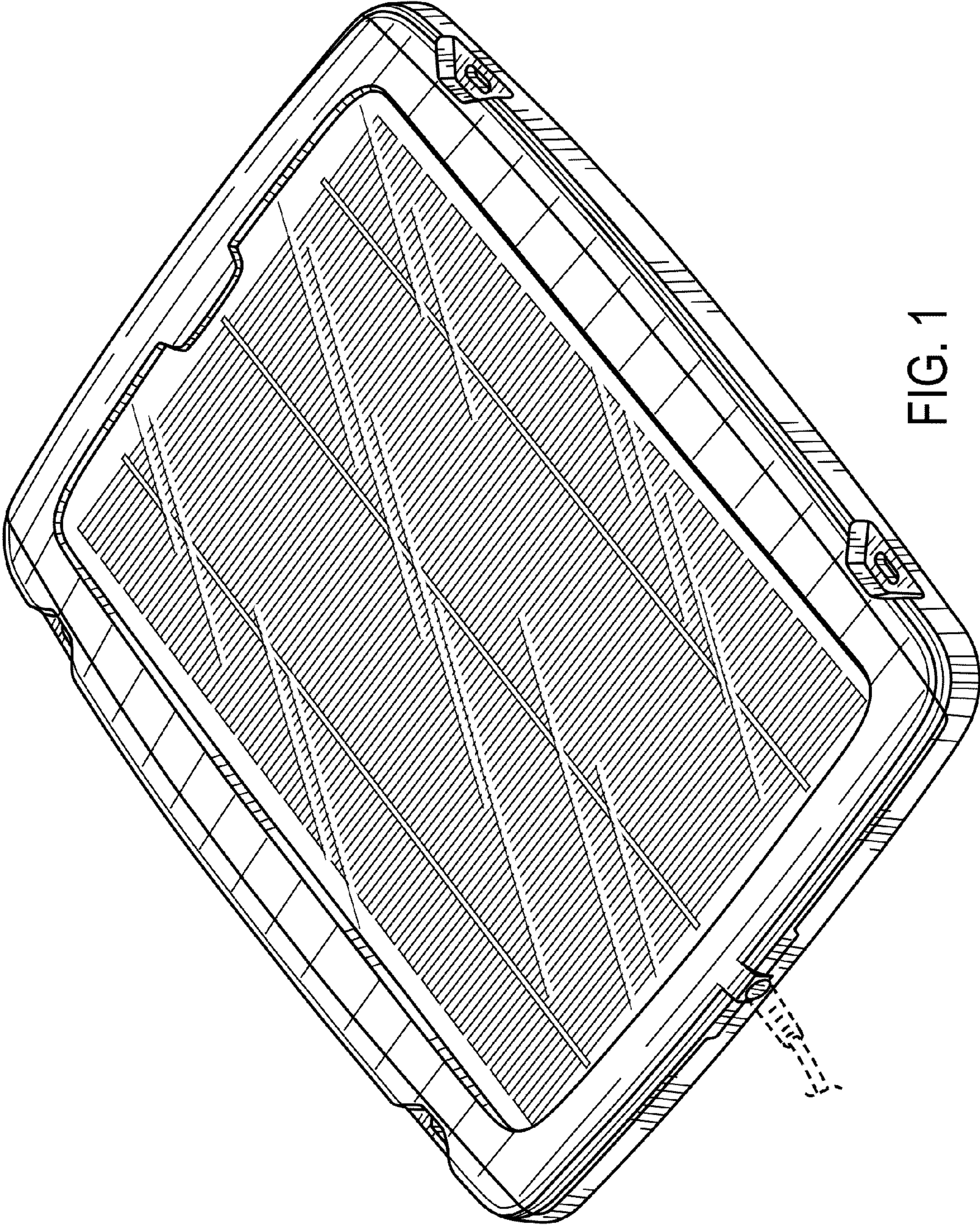


FIG. 1

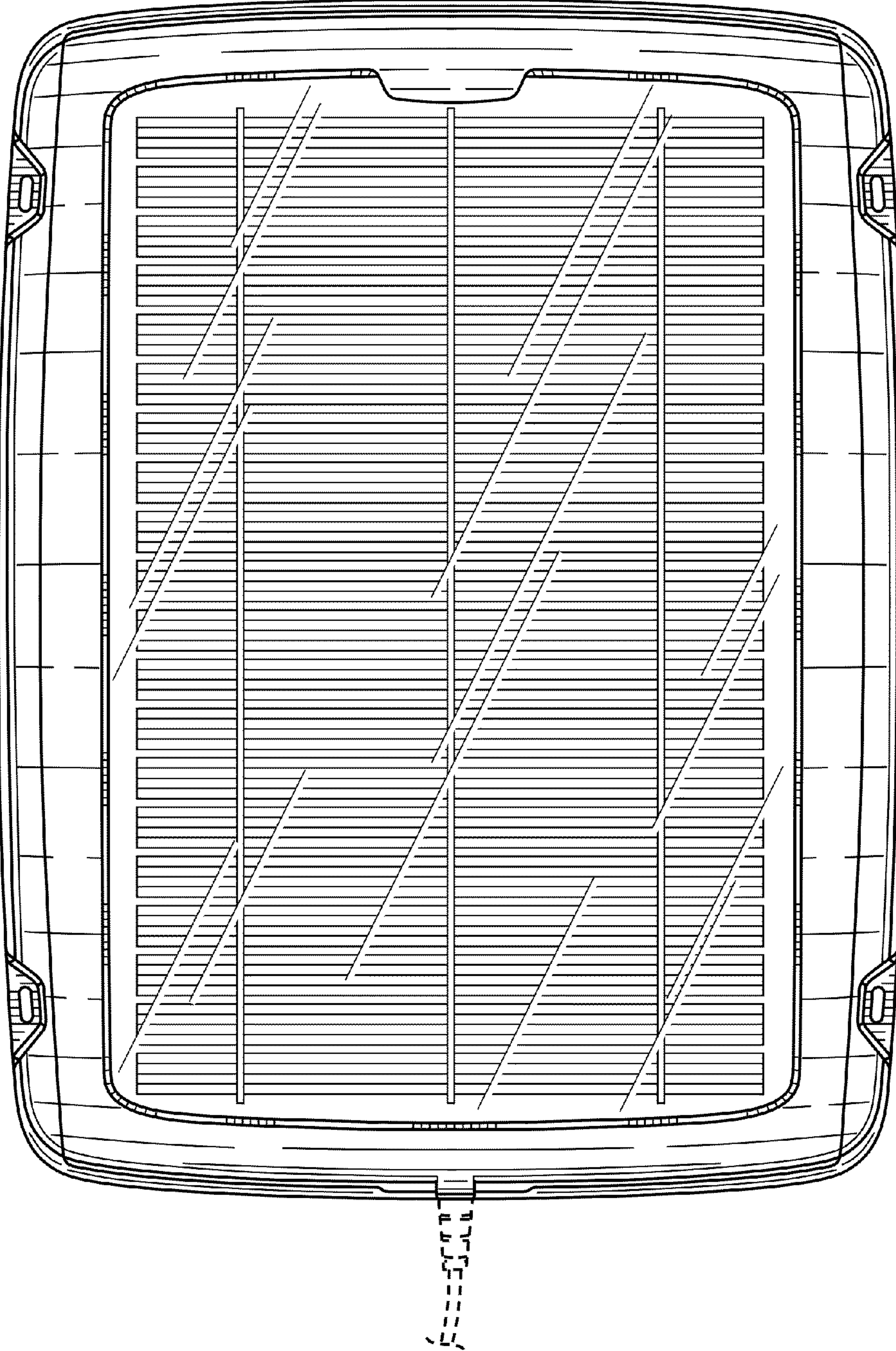


FIG. 2



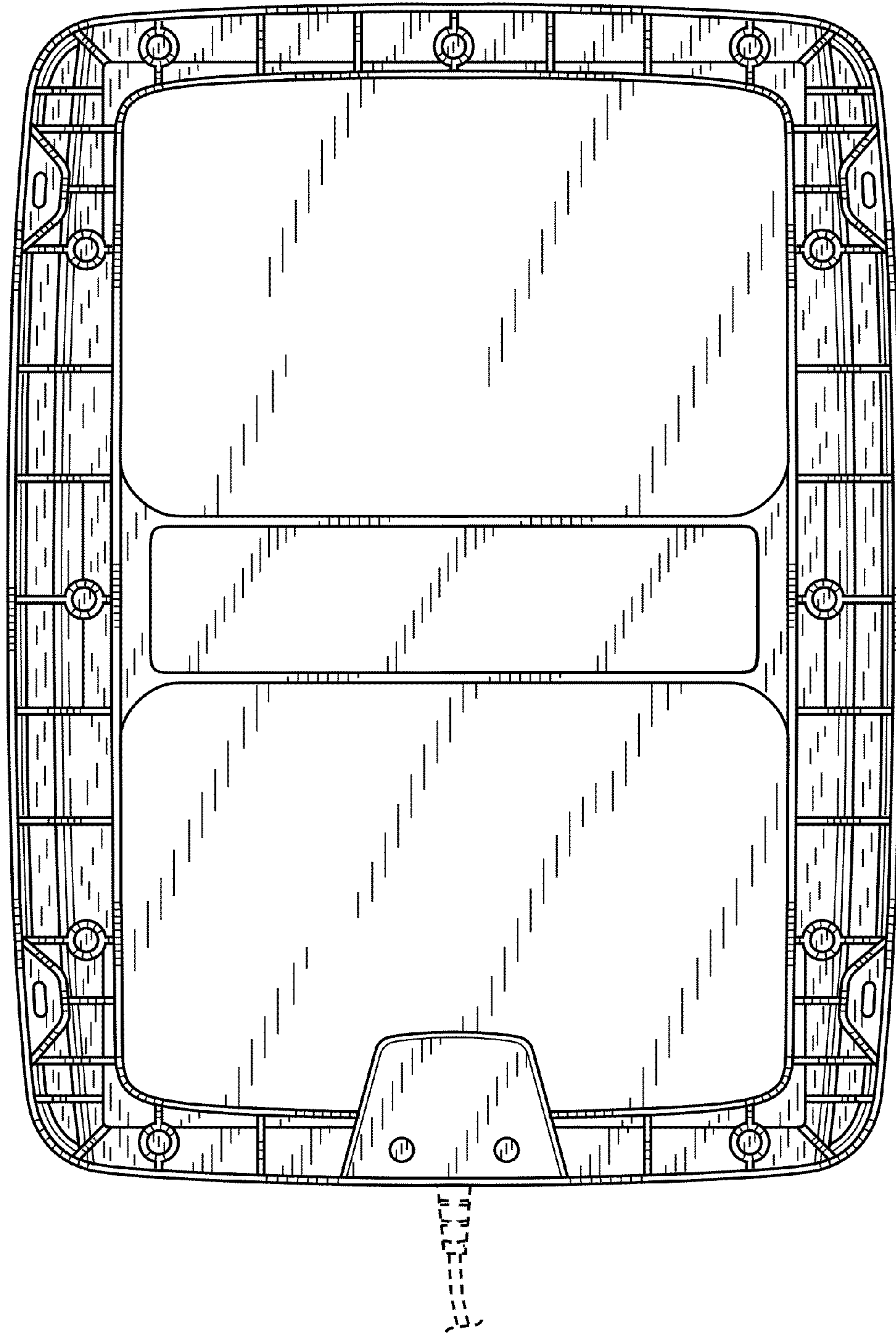


FIG. 3

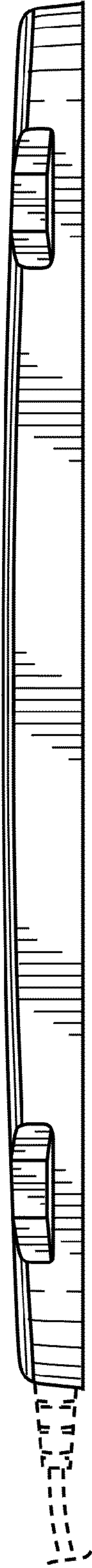


FIG. 4

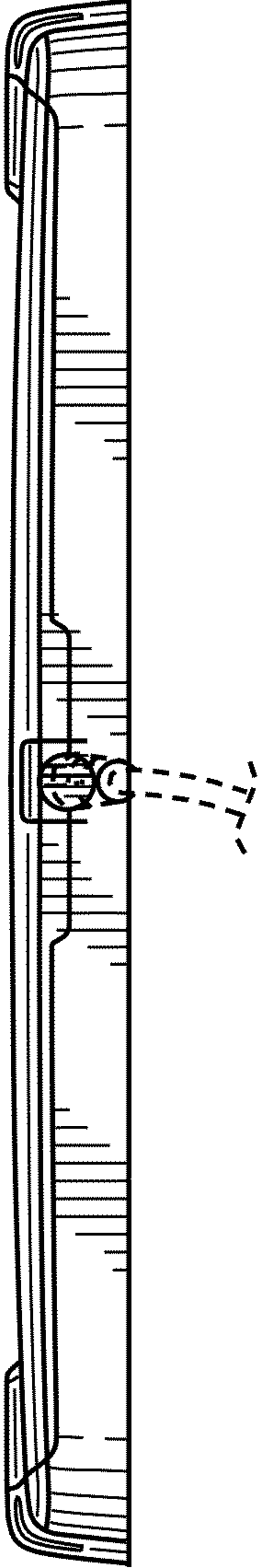


FIG. 5

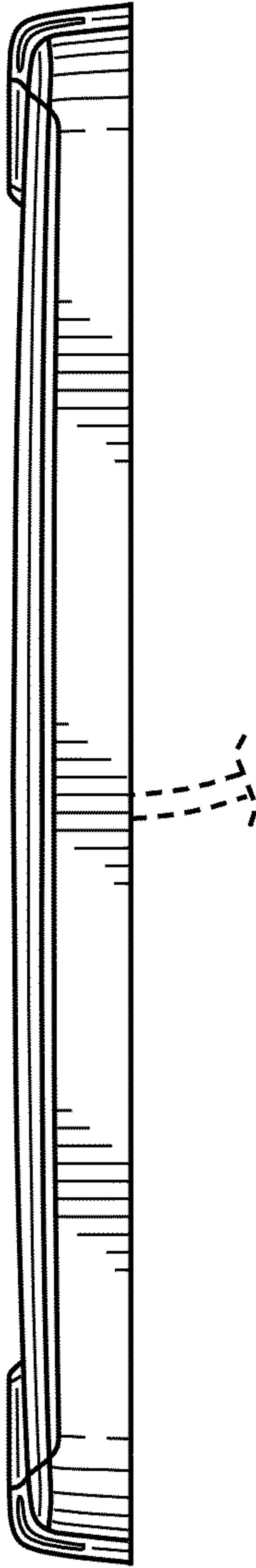


FIG. 6