



US00D689816S

(12) **United States Design Patent**
Efthimiady' et al.

(10) **Patent No.:** **US D689,816 S**

(45) **Date of Patent:** **** *Sep. 17, 2013**

(54) **FIXTURE FOR ASSEMBLING A SOLAR
MODULE ASSEMBLY**

(56) **References Cited**

(76) Inventors: **Tim Efthimiady'**, Brussels (BE); **Kevin Houle**, Livermore, CA (US); **Elizabeth Knazs**, Livermore, CA (US); **David McDougall**, Vancouver, WA (US); **Nicholas Singh**, Modesto, CA (US); **Heather Singler**, Freeland, MI (US)

U.S. PATENT DOCUMENTS

4,245,895	A *	1/1981	Wildenrotter	359/848
5,180,442	A *	1/1993	Elias	136/251
5,228,924	A *	7/1993	Barker et al.	136/246
5,505,788	A *	4/1996	Dinwoodie	136/246
6,563,040	B2 *	5/2003	Hayden et al.	136/244
6,672,018	B2 *	1/2004	Shingleton	52/173.3
D565,505	S *	4/2008	Shugar et al.	D13/102
D586,737	S *	2/2009	Shugar et al.	D13/102
7,574,842	B2 *	8/2009	Russell	52/768
2005/0284467	A1 *	12/2005	Patterson	126/580

(*) Notice: This patent is subject to a terminal disclaimer.

* cited by examiner

(**) Term: **14 Years**

Primary Examiner — Derrick Holland

(21) Appl. No.: **29/426,788**

(57) **CLAIM**

The ornamental design for a fixture for assembling a solar module assembly, as shown and described.

(22) Filed: **Jul. 10, 2012**

DESCRIPTION

(51) **LOC (9) Cl.** **13-02**

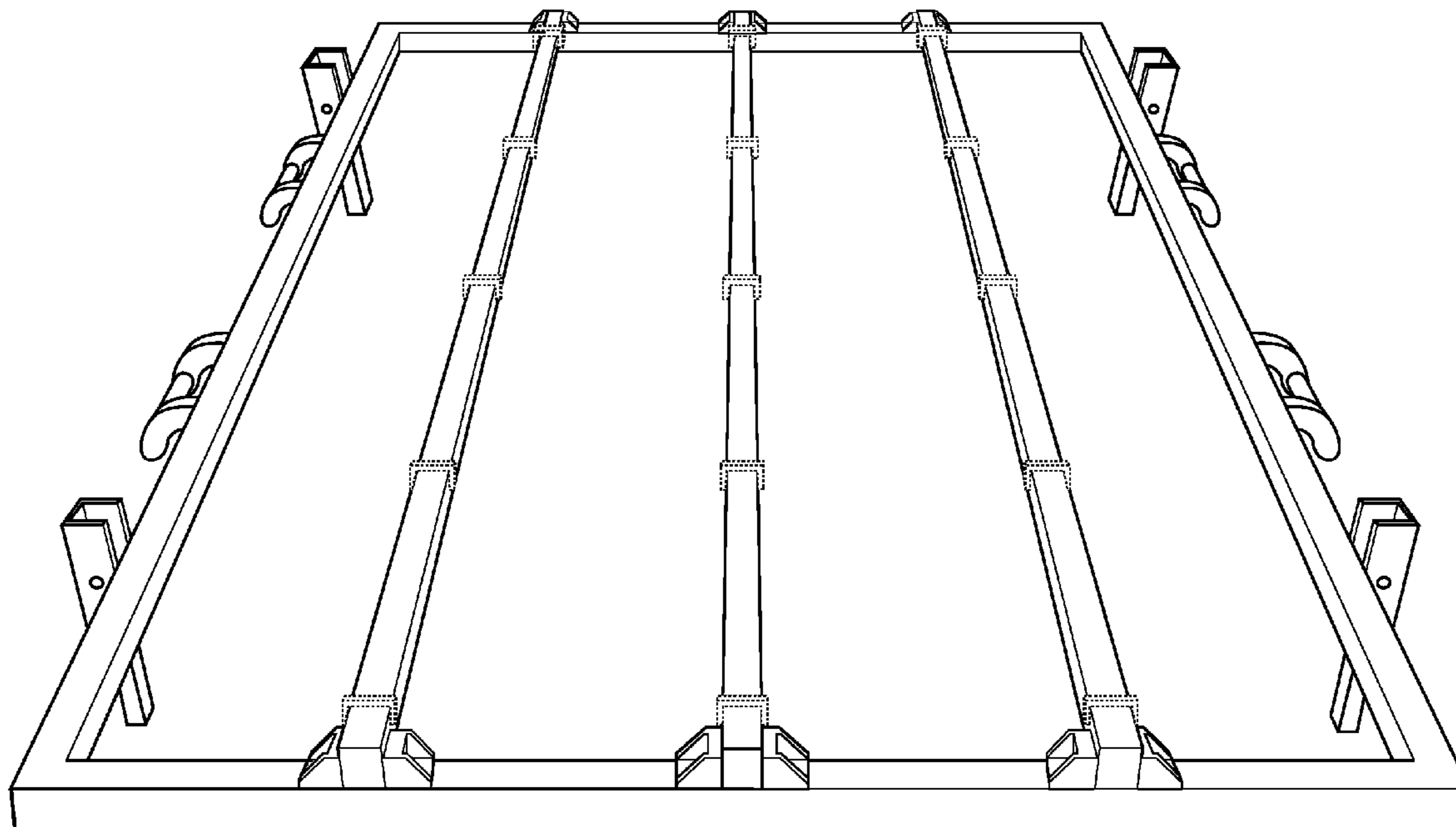
(52) **U.S. Cl.**
USPC **D13/102**

(58) **Field of Classification Search**
USPC D13/102, 101, 107, 184, 199; D12/406, D12/408; D14/230, 239, 451, 452; 52/173.3; 126/573, 580, 606; 136/206, 230, 244-251, 136/256, 291, 292; 343/792.5, 813, 878, 343/879; 439/562, 567, 573

FIG. 1 is a perspective view of a fixture for assembling a solar module assembly showing our new design; FIG. 2 is a top plan view thereof; FIG. 3 is a front view thereof; FIG. 4 is a side view thereof; and, FIG. 5 is a bottom plan view thereof. The broken lines shown represent unclaimed subject matter and form no part of the claimed design.

See application file for complete search history.

1 Claim, 4 Drawing Sheets



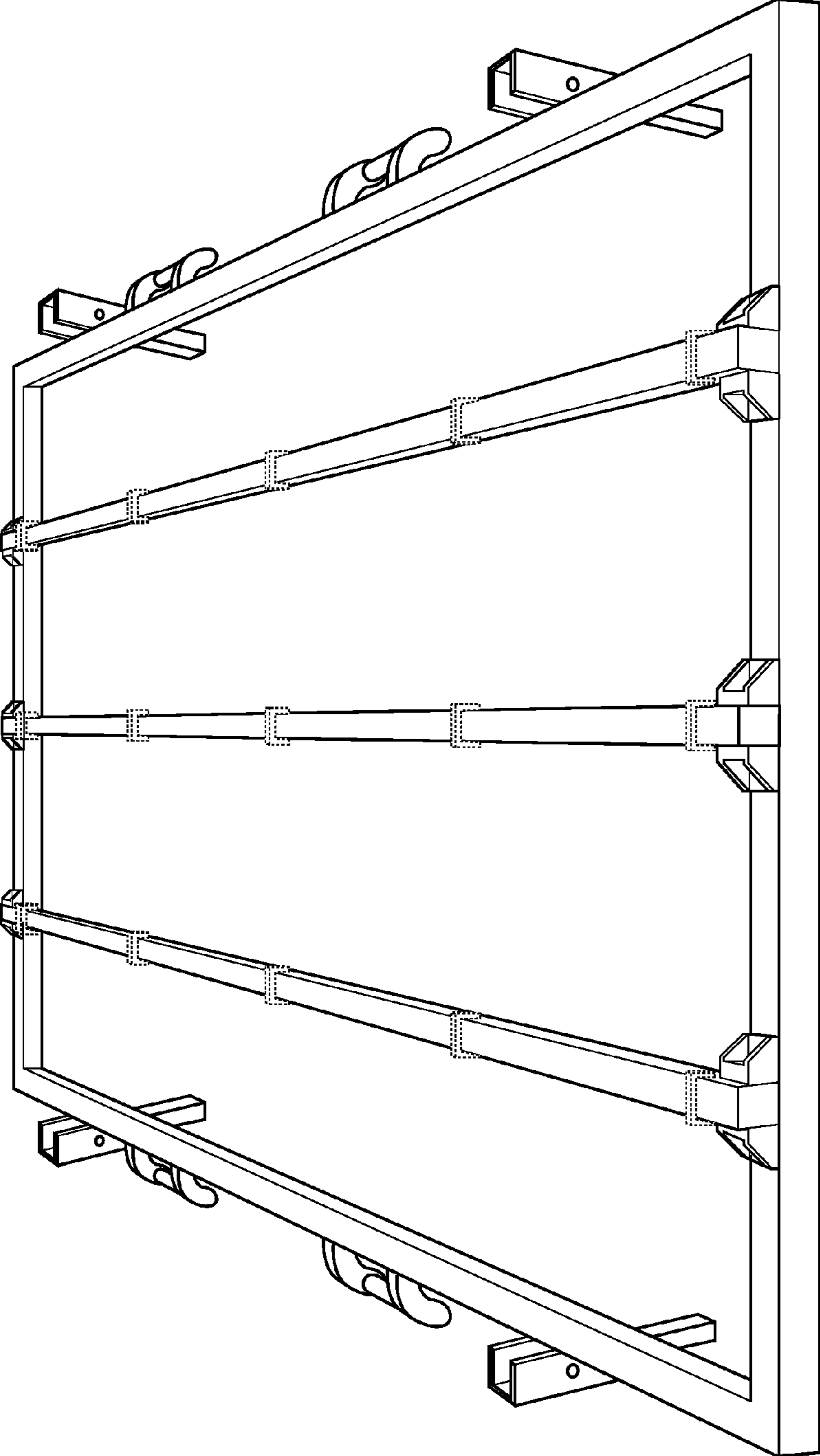


FIG. 1

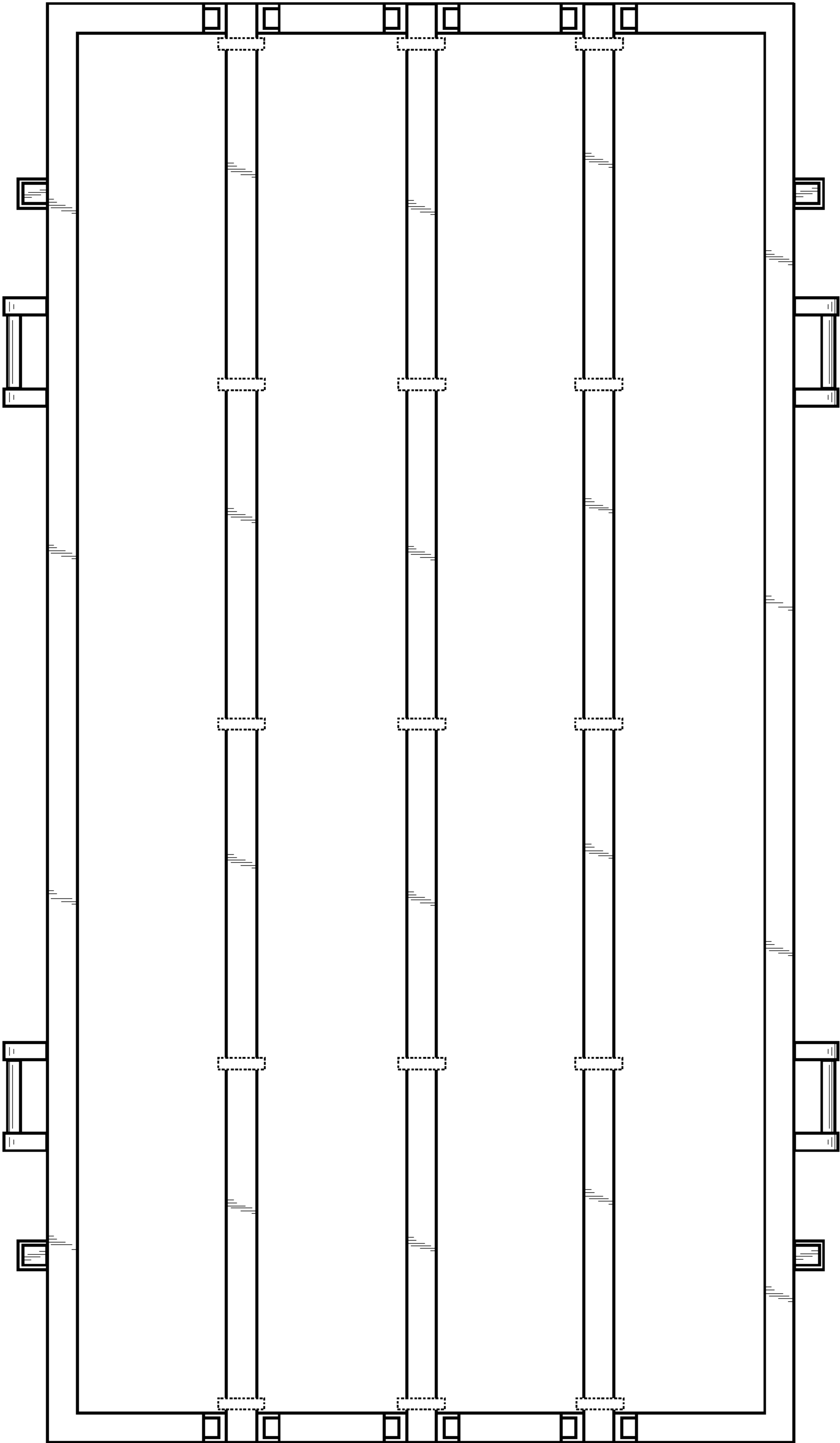


FIG. 2

FIG. 3

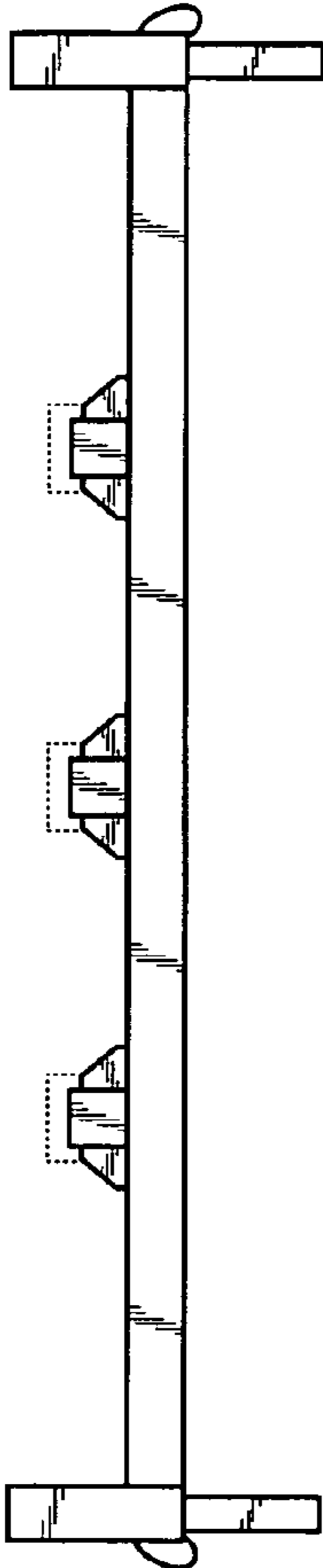
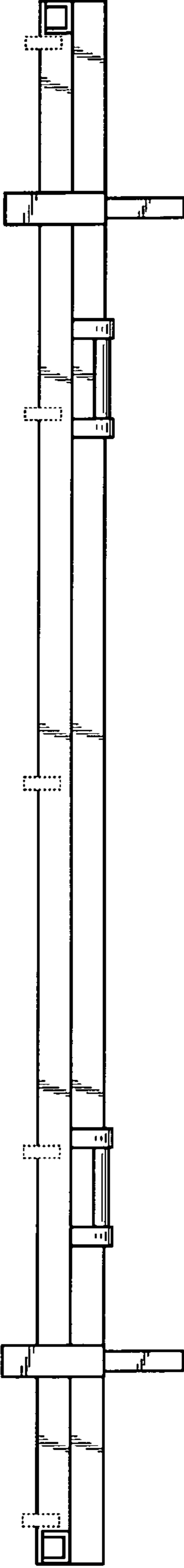


FIG. 4



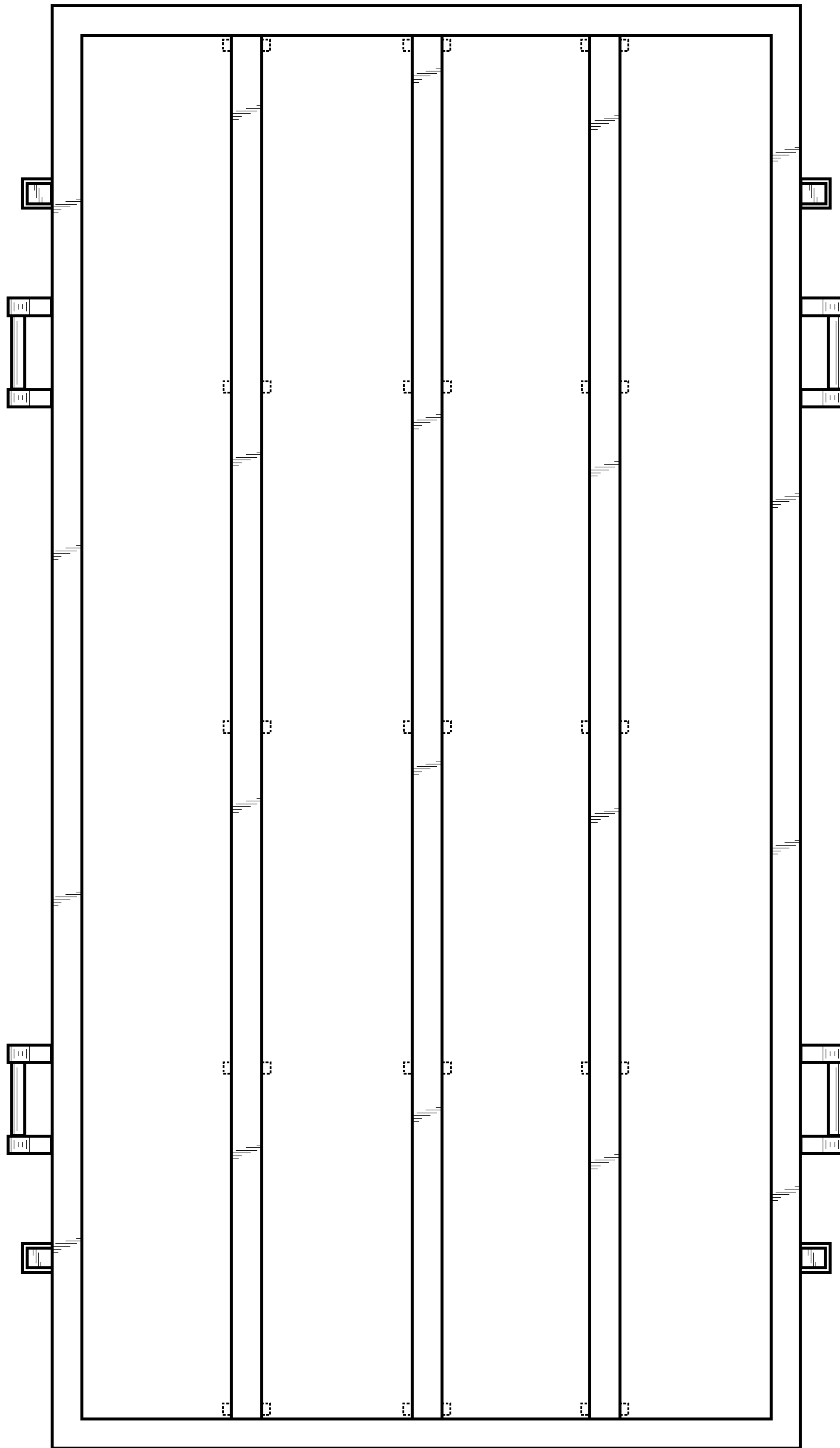


FIG. 5