



US00D689815S

(12) **United States Design Patent**  
**Kuwano**

(10) **Patent No.:** **US D689,815 S**

(45) **Date of Patent:** **\*\* Sep. 17, 2013**

(54) **TIRE**

(71) Applicant: **Toyo Tire & Rubber Co., Ltd.**, Osaka (JP)

(72) Inventor: **Shingo Kuwano**, Osaka (JP)

(73) Assignee: **Toyo Tire & Rubber Co., Ltd.**, Osaka (JP)

(\*\*) Term: **14 Years**

(21) Appl. No.: **29/447,282**

(22) Filed: **Mar. 1, 2013**

(30) **Foreign Application Priority Data**

Dec. 20, 2012 (JP) ..... 2012-031077

(51) **LOC (9) Cl.** ..... **12-15**

(52) **U.S. Cl.**  
USPC ..... **D12/605**

(58) **Field of Classification Search**  
USPC ..... D12/500-501, 544, 579, 600-605;  
152/523-524, DIG. 12, 555;  
D7/588, 396.4-396.5  
See application file for complete search history.

(56) **References Cited**

**U.S. PATENT DOCUMENTS**

D386,455 S *	11/1997	Clementz et al.	.....	D12/605
D412,476 S *	8/1999	Clementz et al.	.....	D12/605
D569,793 S *	5/2008	Dixon	.....	D12/605
D581,354 S *	11/2008	Harvey	.....	D12/605
D593,487 S *	6/2009	Takahashi	.....	D12/605
D608,275 S *	1/2010	Maxwell	.....	D12/605

D611,403 S *	3/2010	Kuwano	.....	D12/605
D614,123 S *	4/2010	Harvey	.....	D12/605
D638,784 S *	5/2011	Scheifele	.....	D12/605
D656,090 S *	3/2012	Sato	.....	D12/605
D662,871 S *	7/2012	Miyazaki	.....	D12/605
D667,369 S *	9/2012	Fontaine et al.	.....	D12/605

**FOREIGN PATENT DOCUMENTS**

JP	D1367756	8/2009
JP	D1378205	1/2010

\* cited by examiner

*Primary Examiner* — Stacia Cadmus

(74) *Attorney, Agent, or Firm* — Sterne, Kessler, Goldstein & Fox PLLC

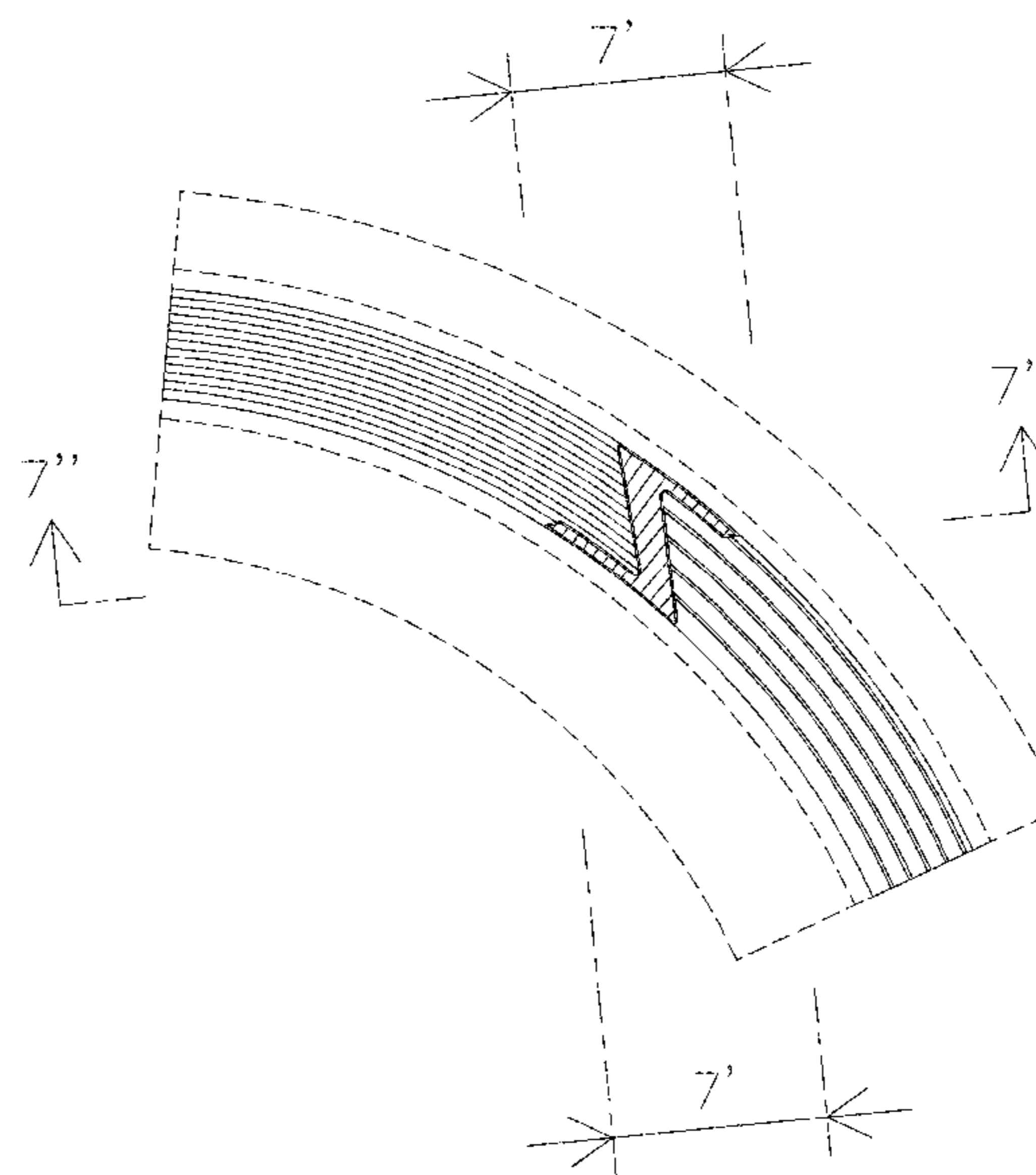
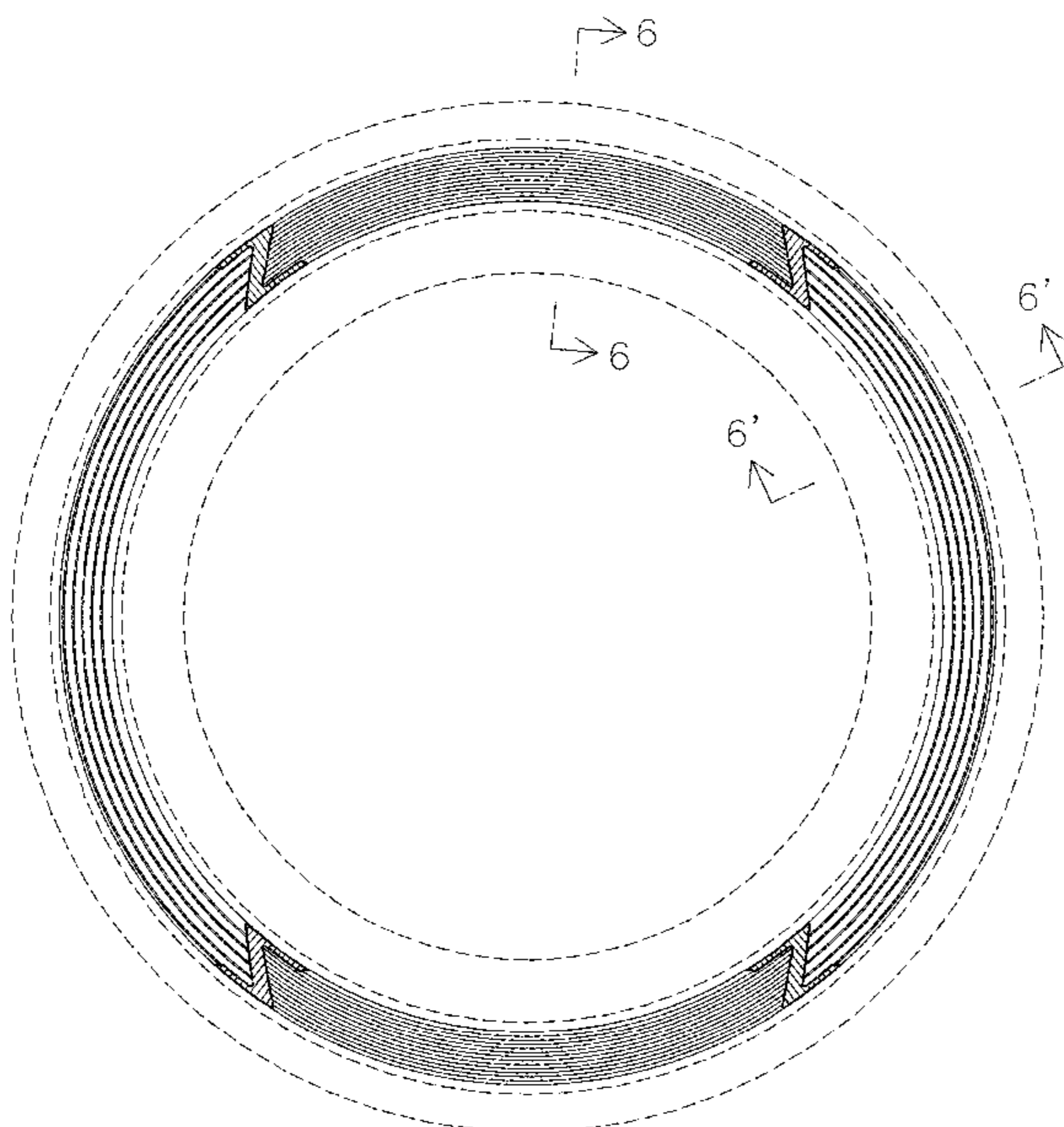
(57) **CLAIM**

The ornamental design for a tire, as shown and described.

**DESCRIPTION**

FIG. 1 is a perspective view of a tire showing my new design; FIG. 2 is a front view thereof; FIG. 3 is a rear view thereof; FIG. 4 is a top plan view thereof, for which the bottom plan view is a mirror image; FIG. 5 is a left side view thereof, for which the right side view is a mirror image; FIG. 6 is an enlarged view taken along lines 6-6 and 6'-6' in FIG. 2; and, FIG. 7 is an enlarged cross-sectional view taken along line 7-7 in FIG. 4 and lines 7'-7' and 7''-7'' in FIG. 6. In the drawings, the broken lines showing portions of the tire tread, sidewall and inner bead depict portions of the tire which form no part of the claimed design.

**1 Claim, 7 Drawing Sheets**



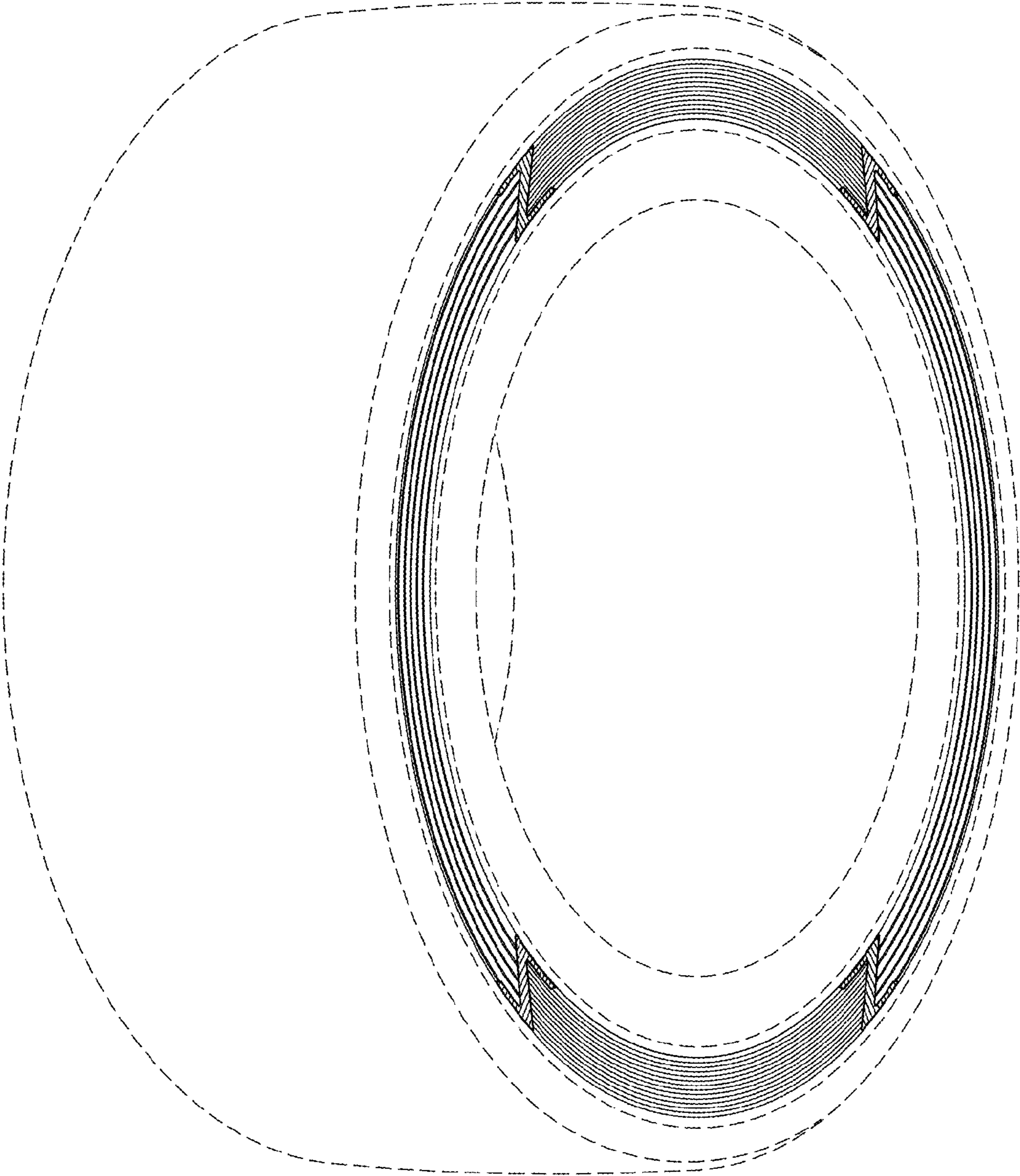


FIG. 1

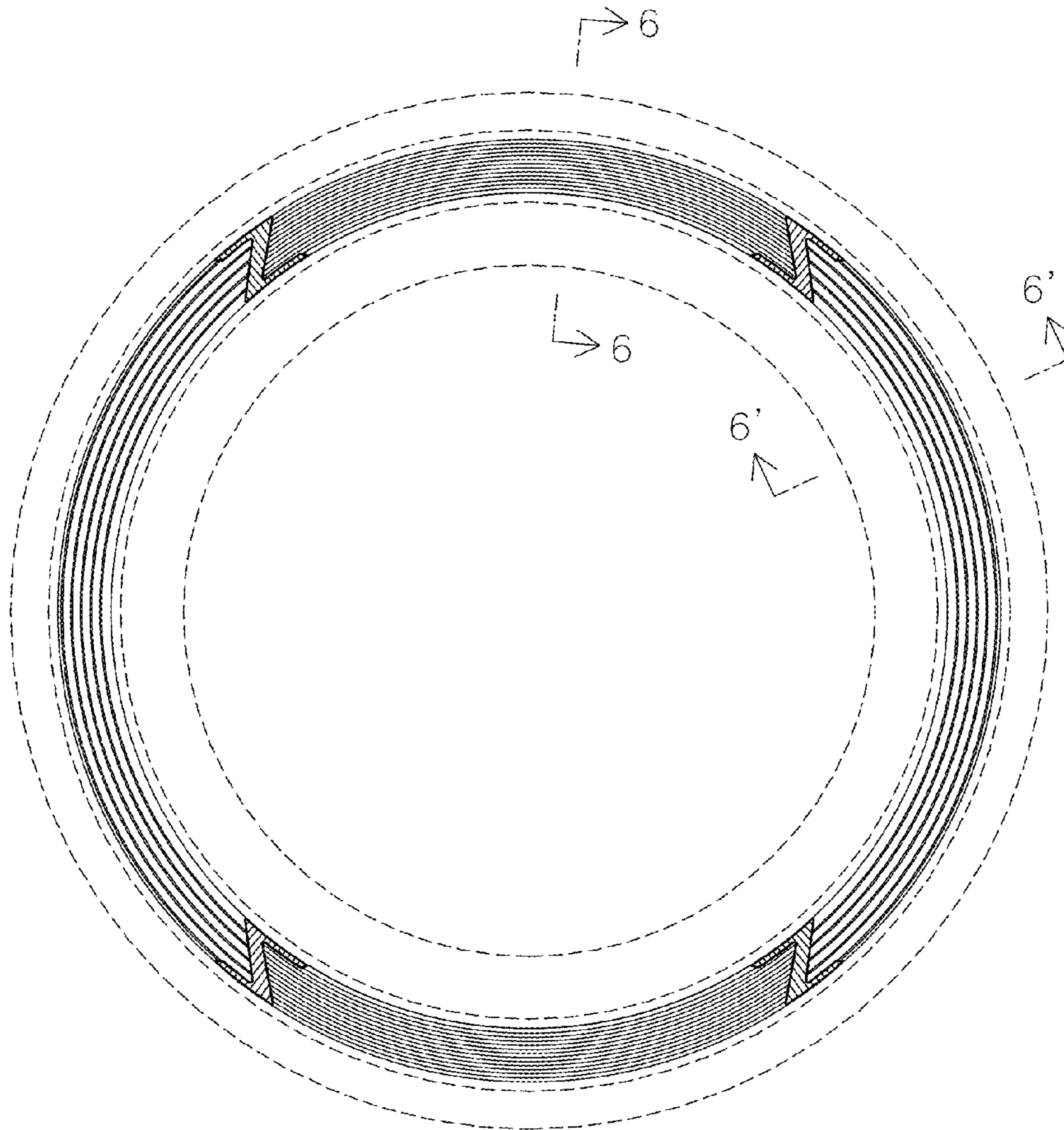
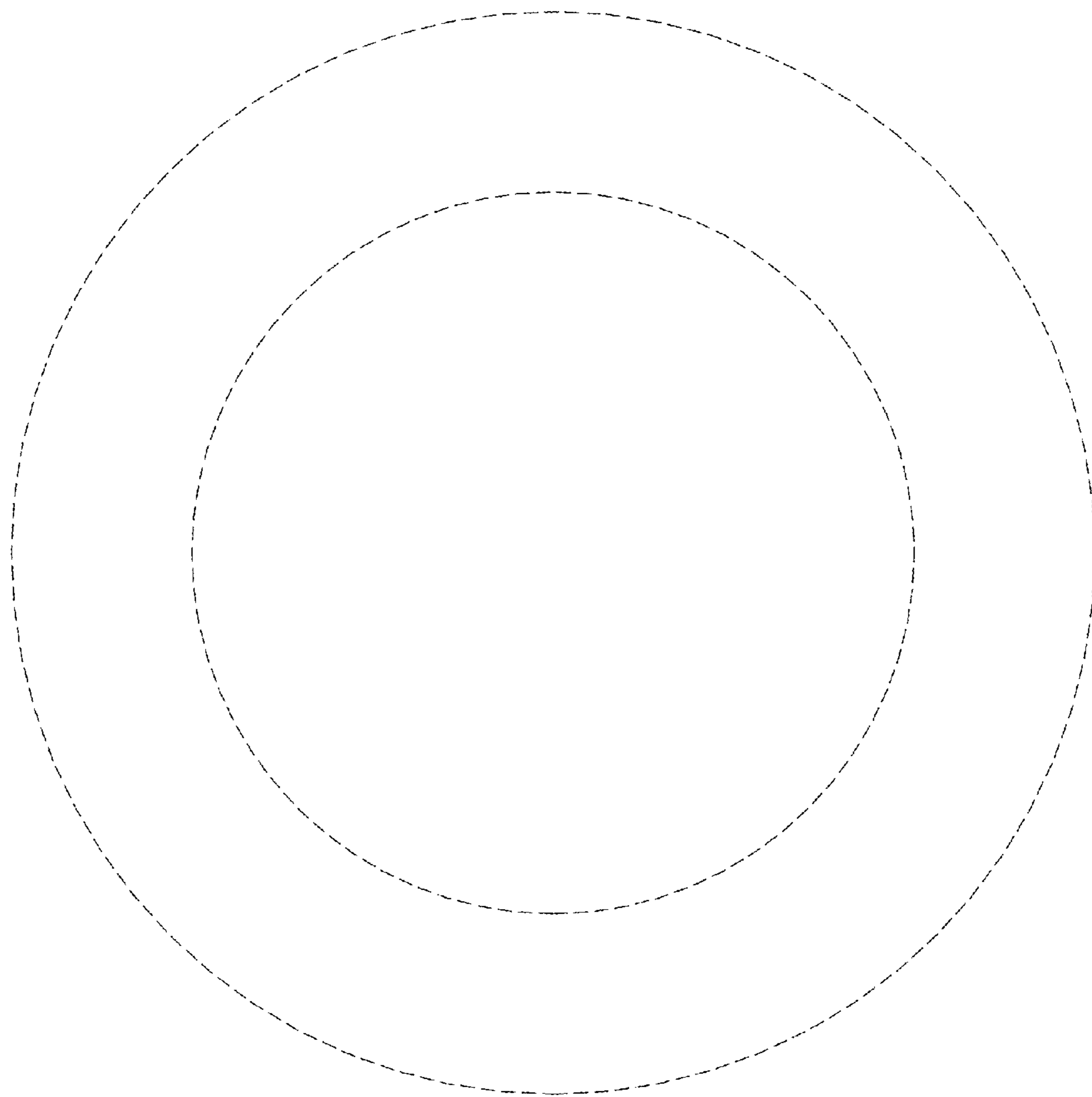


FIG. 2



**FIG. 3**

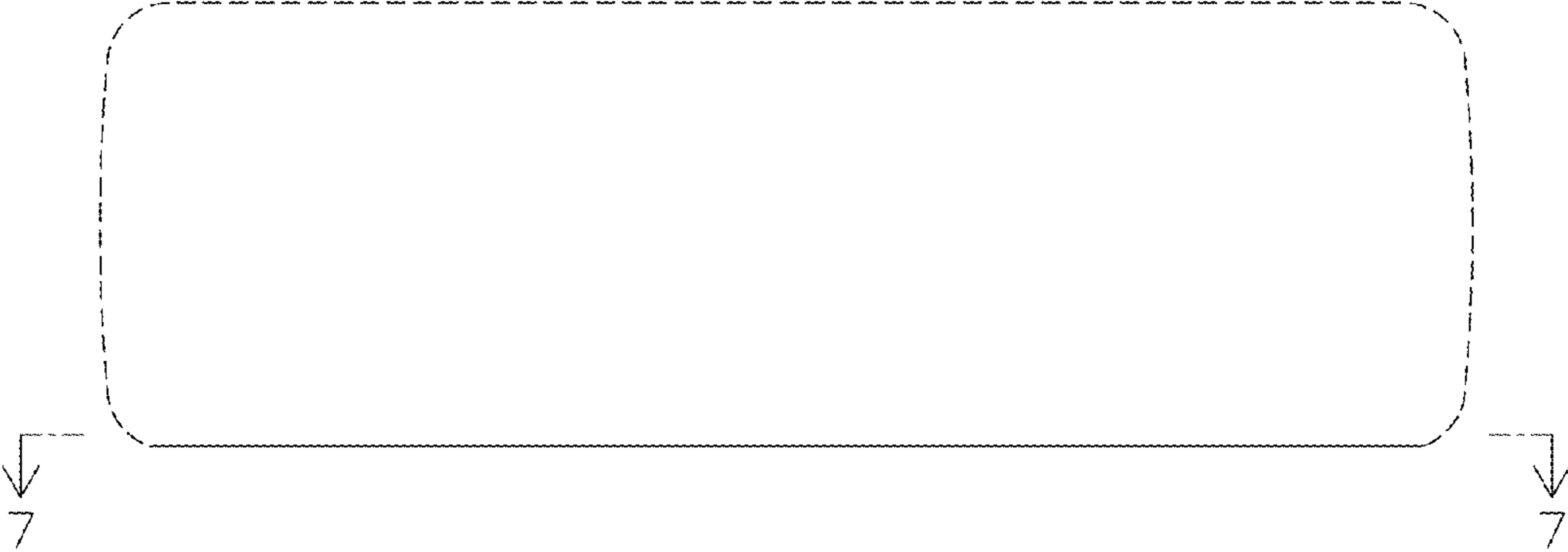
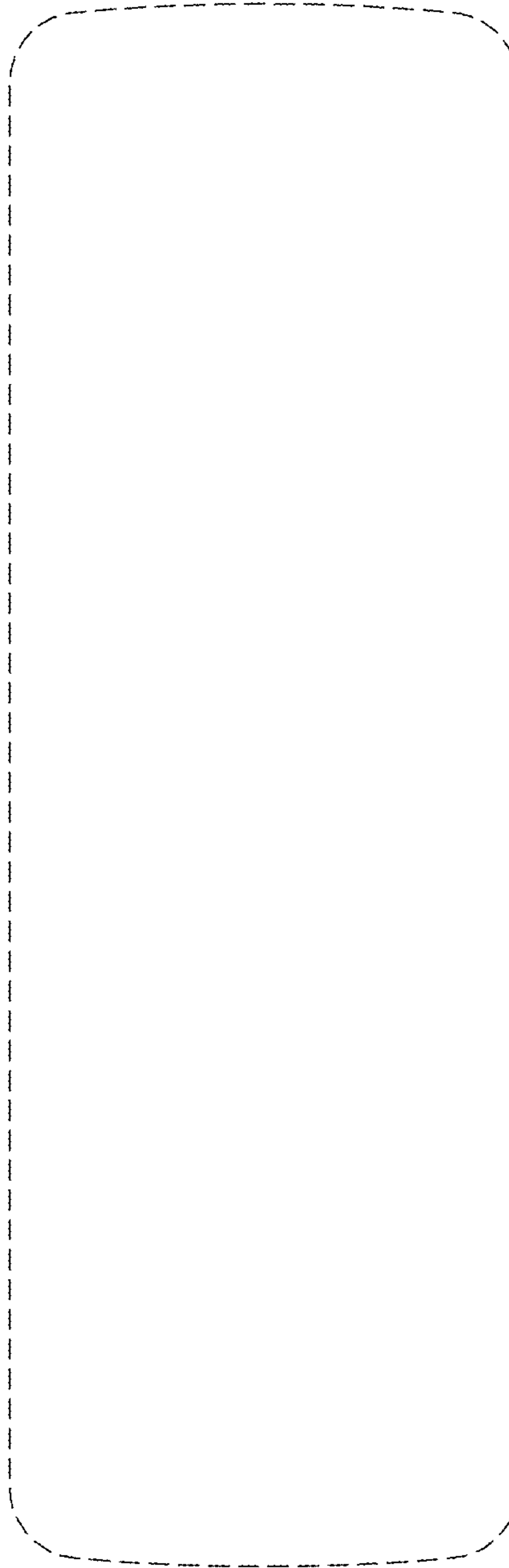


FIG. 4



**FIG. 5**

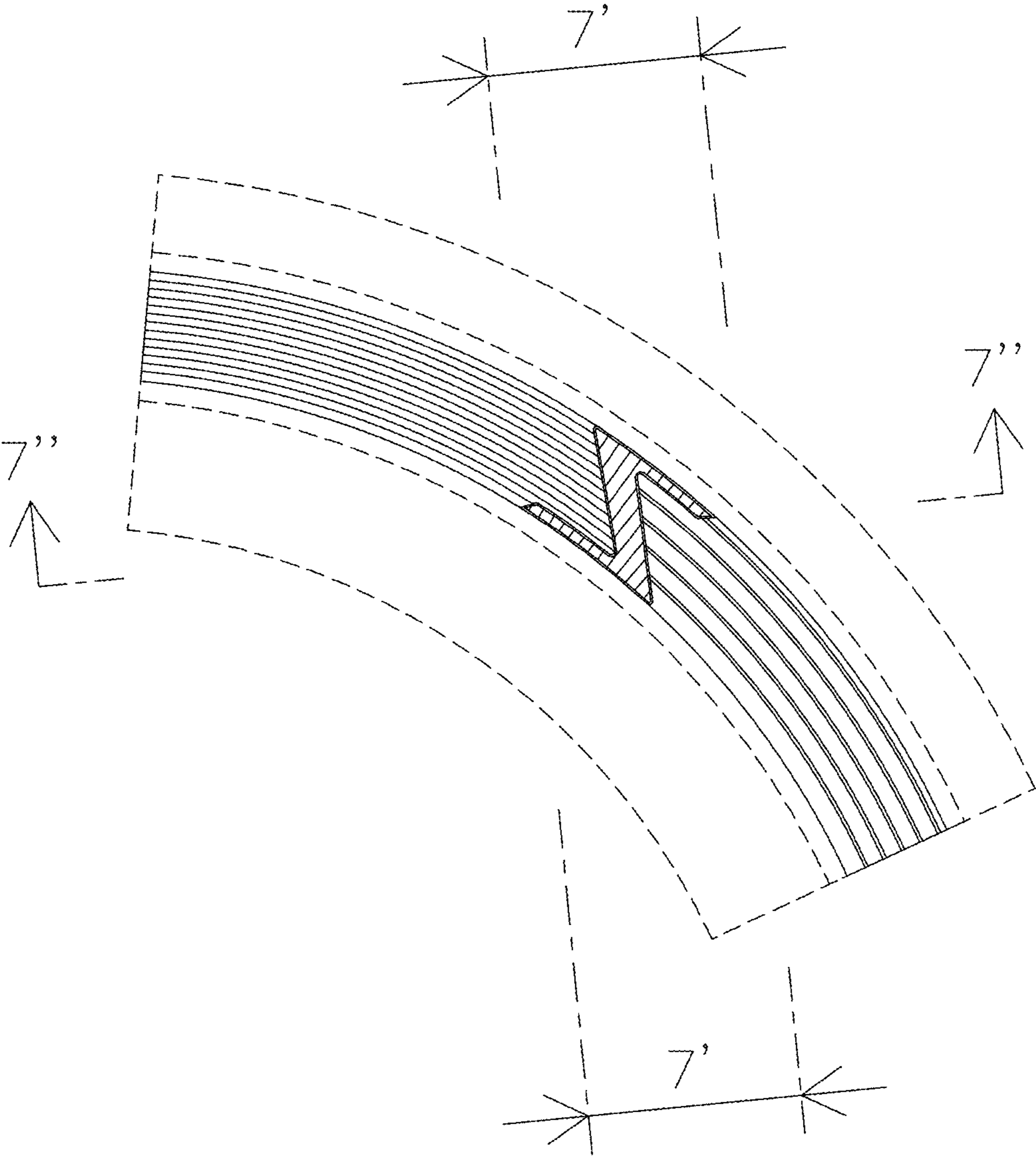


FIG. 6

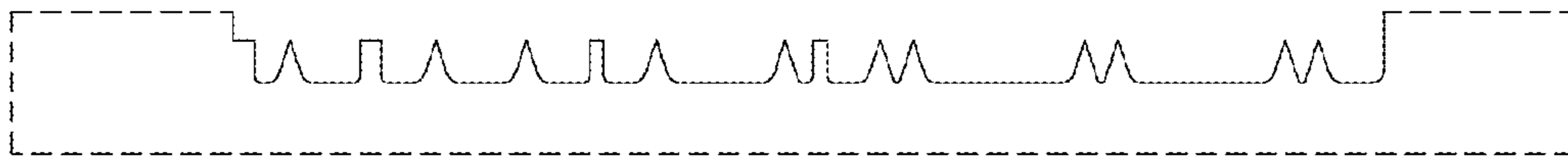


FIG. 7