



US00D689813S

(12) **United States Design Patent**
Christen

(10) **Patent No.:** **US D689,813 S**

(45) **Date of Patent:** **** Sep. 17, 2013**

(54) **PERSONAL WATER CRAFT**

(76) Inventor: **Theodor Christen**, Ebikon (CH)

(**) Term: **14 Years**

(21) Appl. No.: **29/398,783**

(22) Filed: **Aug. 4, 2011**

(30) **Foreign Application Priority Data**

Feb. 9, 2011 (WO) WO 586746101

(51) **LOC (9) Cl.** **12-06**

(52) **U.S. Cl.**
USPC **D12/307**

(58) **Field of Classification Search**
USPC D12/300, 302–304, 314, 316, 11;
114/61.1, 61.12, 61.2, 61.32, 271, 272, 288–291,
114/344, 345, 355–357; D21/809, 542
See application file for complete search history.

(56) **References Cited**

U.S. PATENT DOCUMENTS

D241,928 S *	10/1976	Peterson	D12/300
4,781,136 A *	11/1988	Van Der Velden	114/61.1
D316,537 S *	4/1991	Prystupa	D12/300
D317,747 S *	6/1991	Riley	D12/300
D328,054 S *	7/1992	Thorpe	D12/307
D334,912 S *	4/1993	Harman	D12/316
5,517,939 A *	5/1996	Harman et al.	114/345

D431,521 S *	10/2000	Howard et al.	D12/300
D563,308 S *	3/2008	Aeberhard	D12/300
D566,644 S *	4/2008	Houck	D12/302
D577,325 S *	9/2008	Harman	D12/300
D630,148 S	1/2011	Christen		

* cited by examiner

Primary Examiner — Cynthia M Chin

(74) *Attorney, Agent, or Firm* — Dority & Manning, P.A.

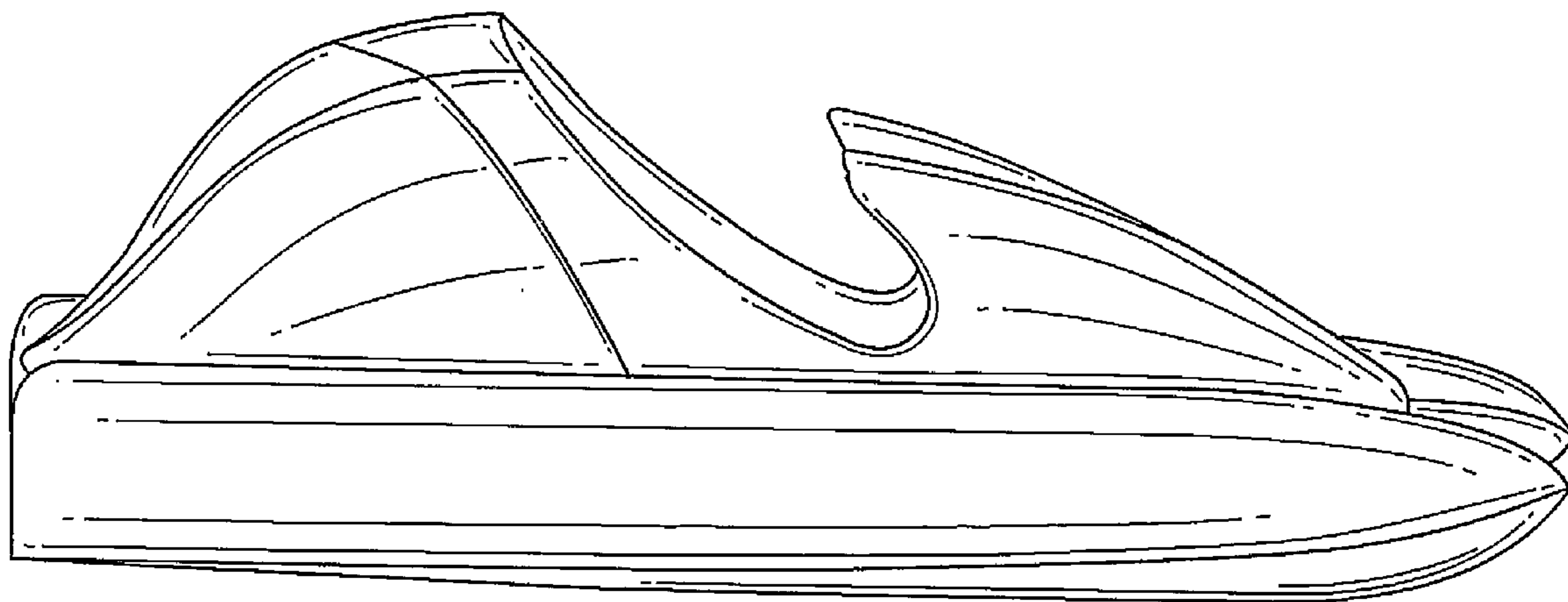
(57) **CLAIM**

The ornamental design for a personal water craft, as shown and described.

DESCRIPTION

FIG. 1 is an elevated perspective view of the personal water craft;
 FIG. 2 is an elevation view of the right side of the design of the personal water craft;
 FIG. 3 is an elevation view of the left side of the design of the personal water craft;
 FIG. 4 is an elevation view of the front of the design of a personal water craft;
 FIG. 5 is an elevation view of the rear of the design of the personal water craft;
 FIG. 6 is a plan view from above the design of the personal water craft; and,
 FIG. 7 is a plan view of the design from beneath the personal water craft.

1 Claim, 6 Drawing Sheets



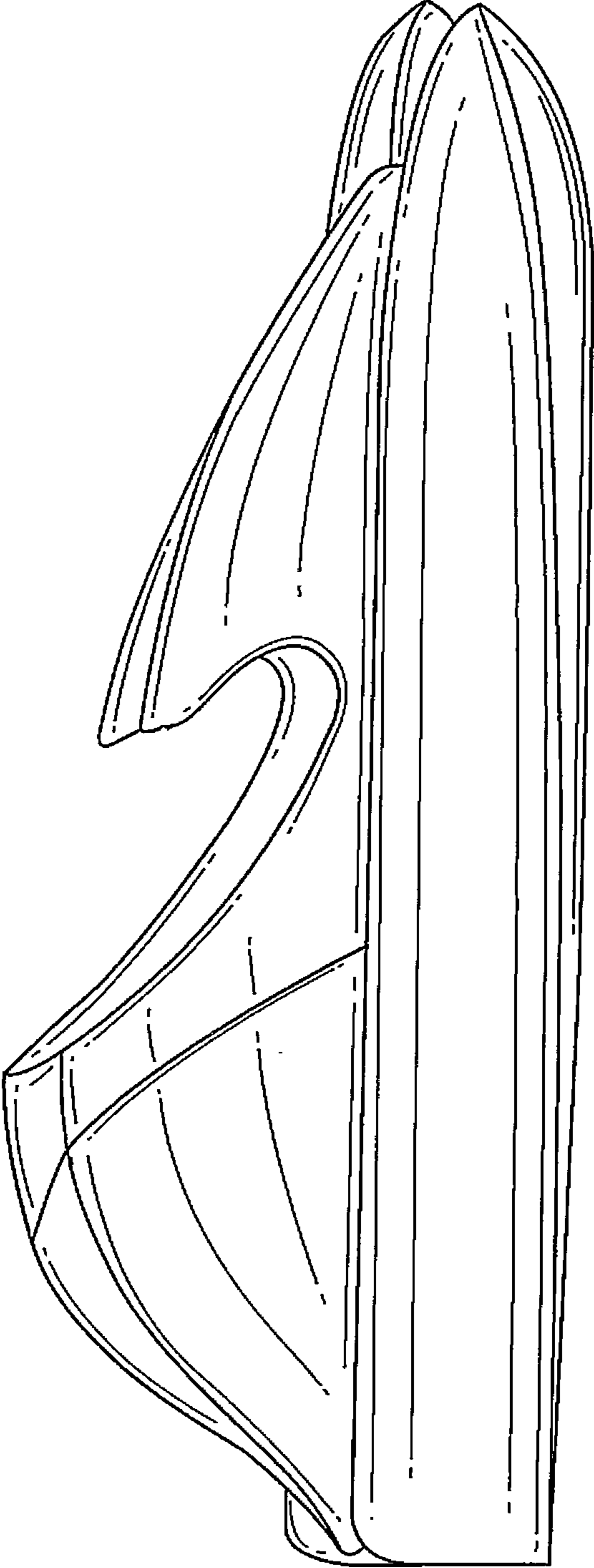


FIG. 1

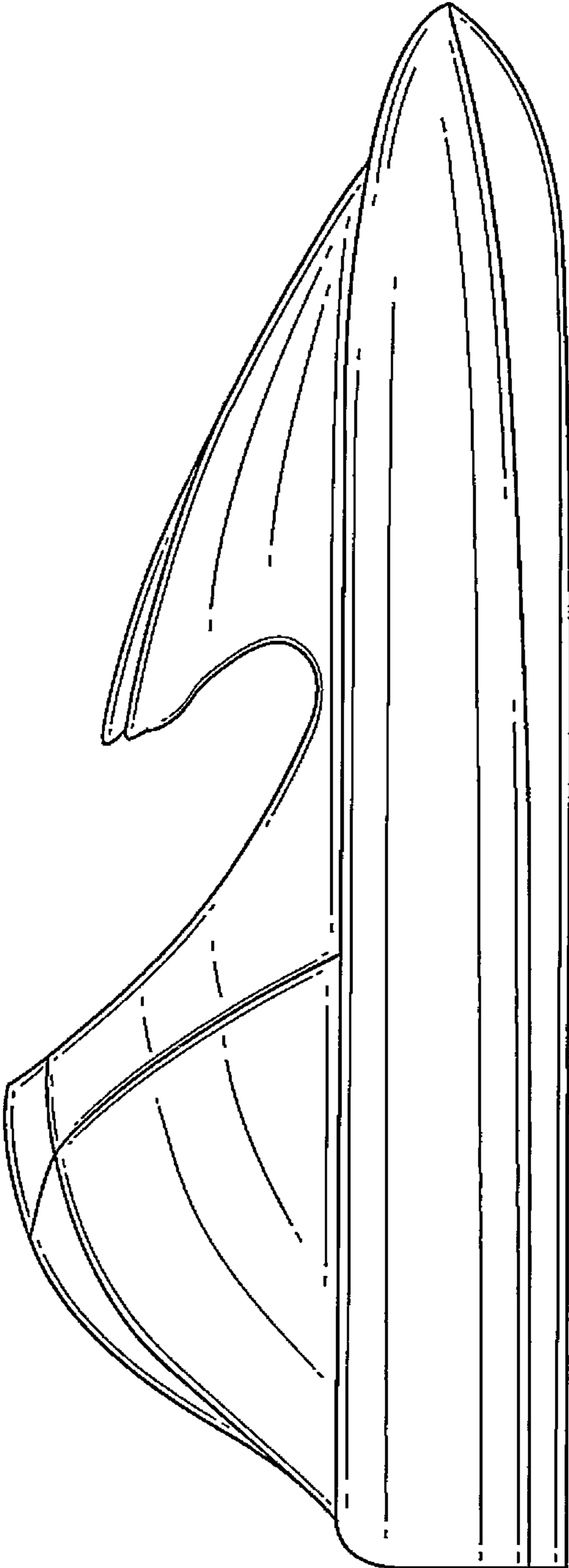


FIG. 2

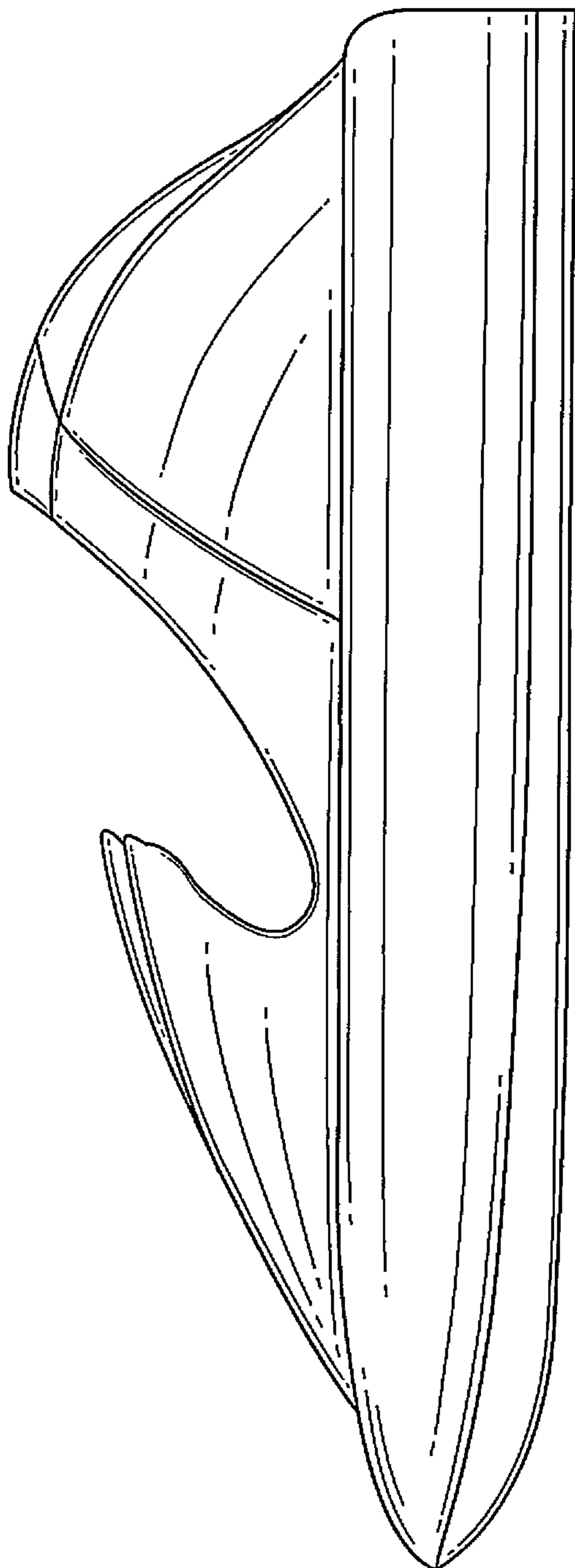


FIG. 3

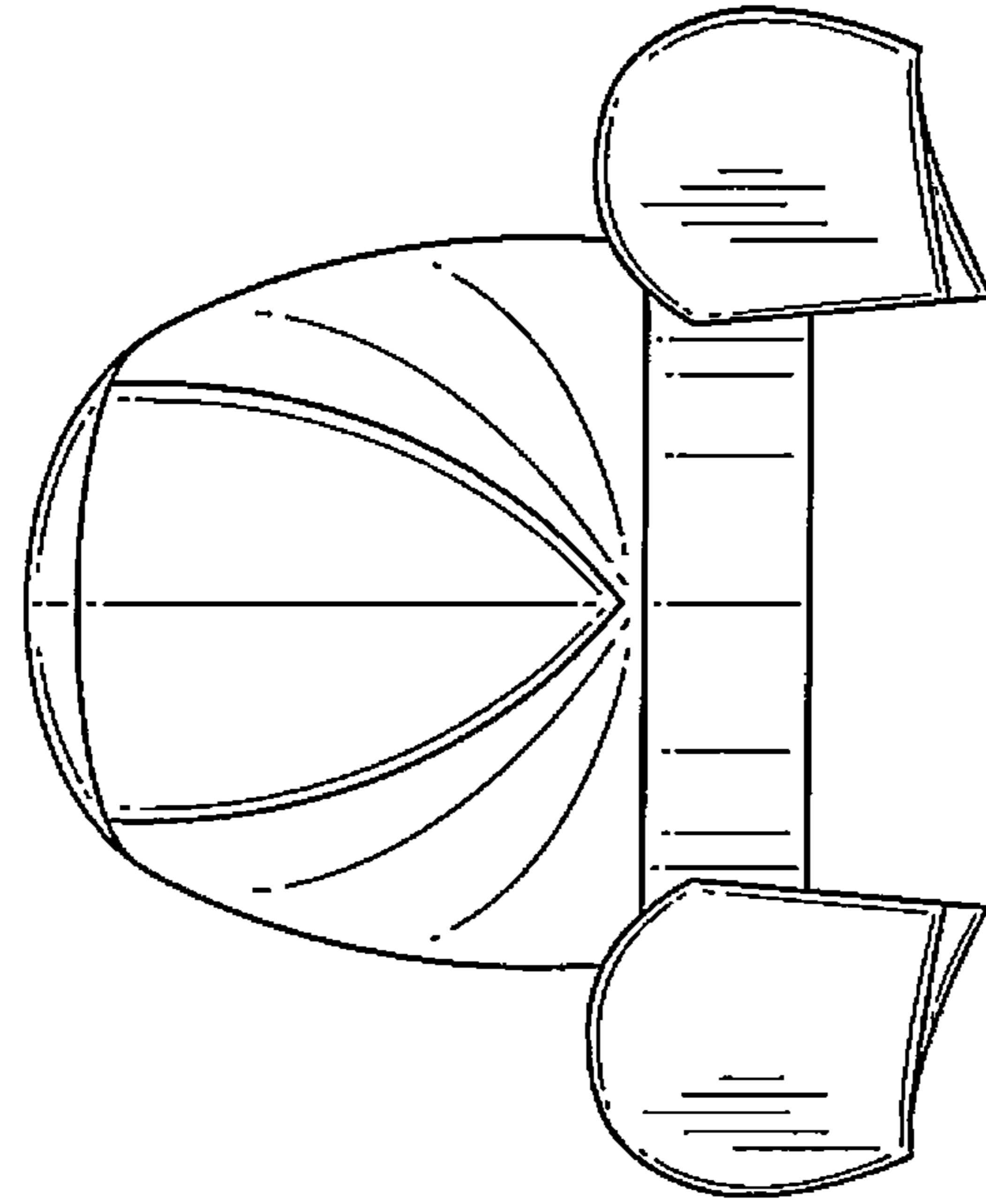


FIG. 5

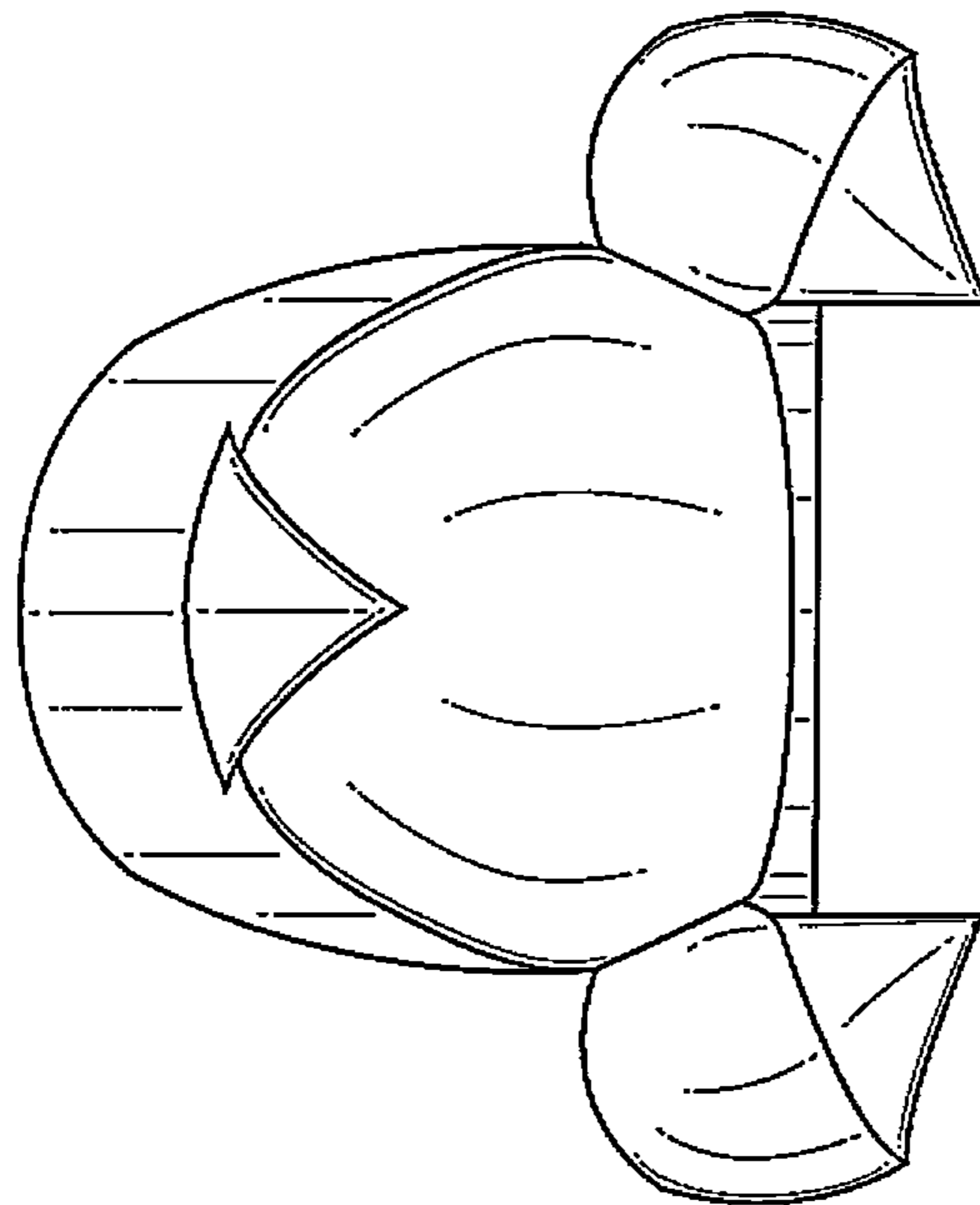


FIG. 4

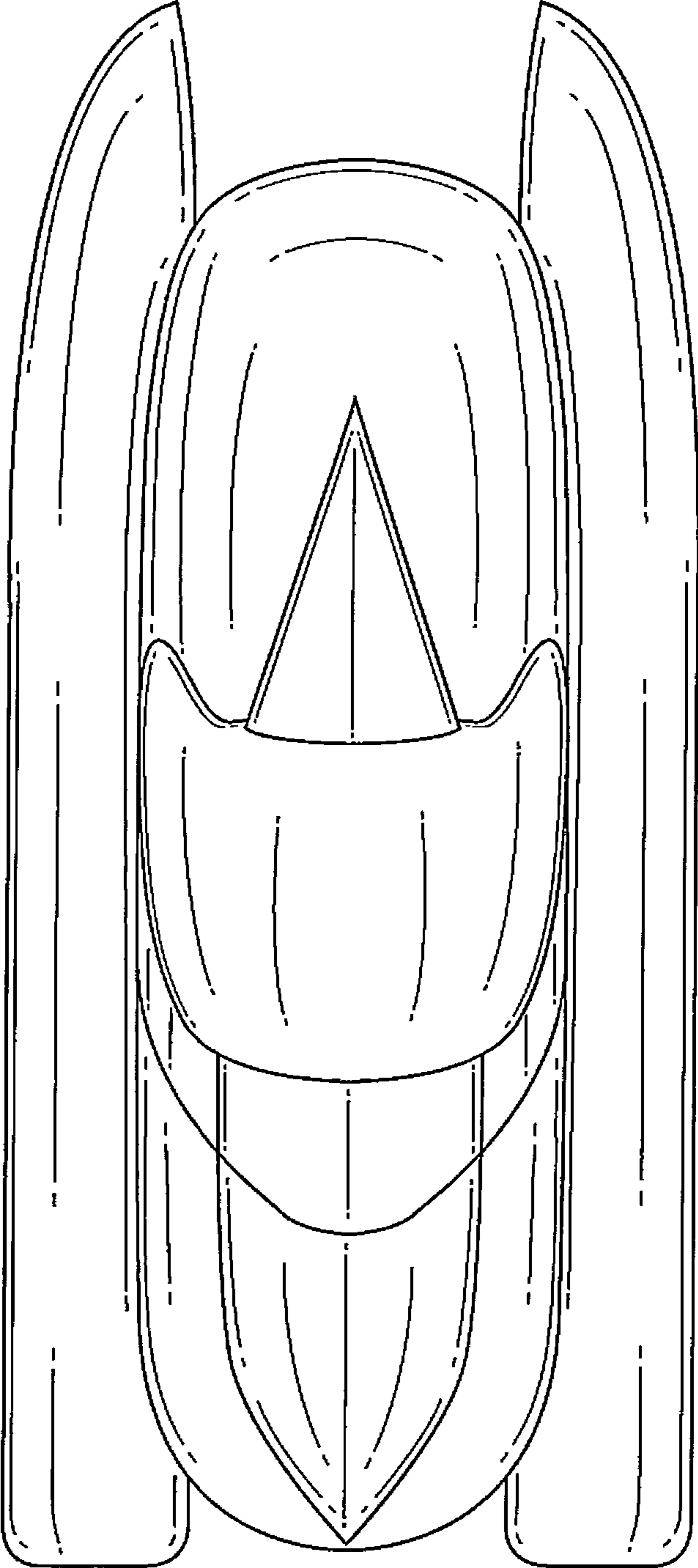


FIG. 6

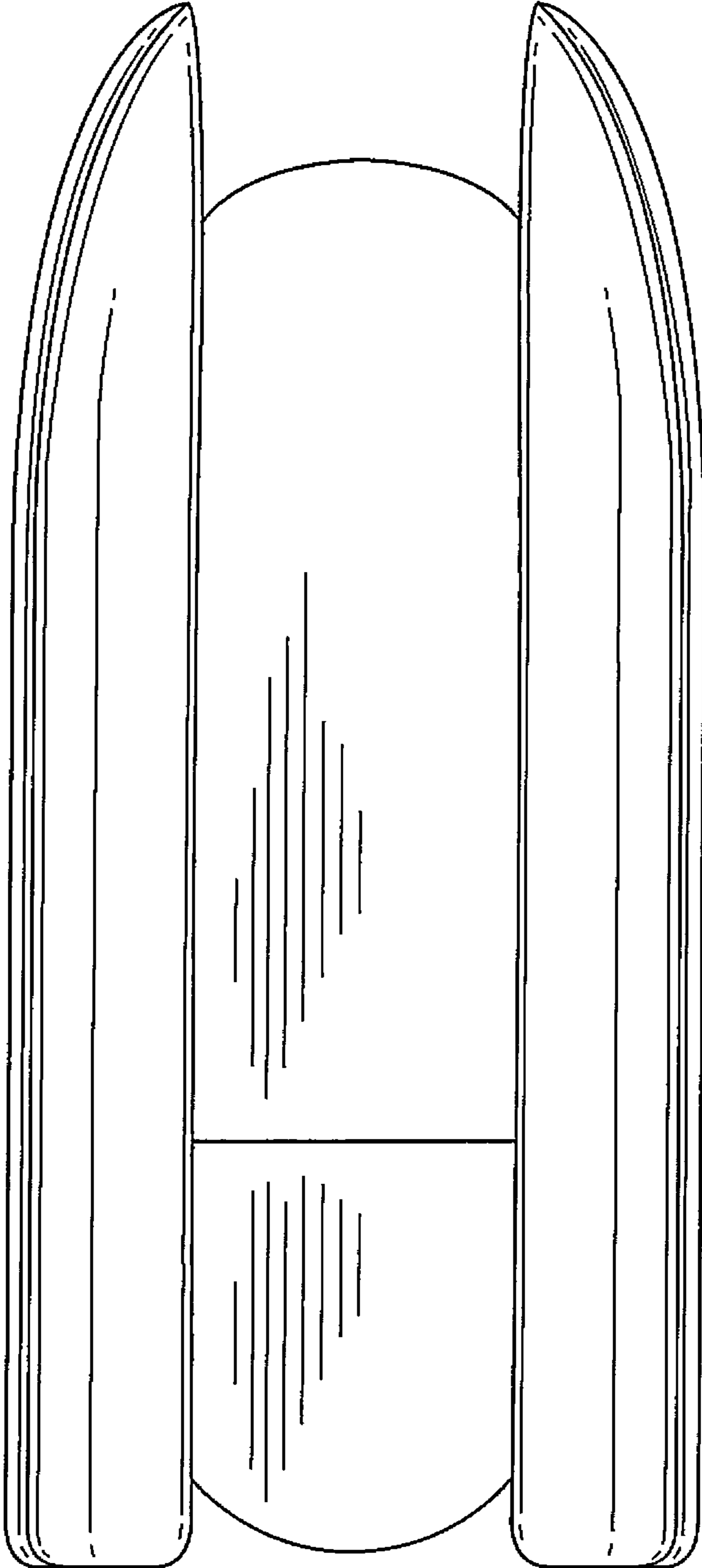


FIG. 7