



US00D689809S

(12) **United States Design Patent**
Kim

(10) **Patent No.:** **US D689,809 S**

(45) **Date of Patent:** **** Sep. 17, 2013**

(54) **VEHICLE WHEEL**

(71) Applicant: **DzineSquare, Inc.**, Yorba Linda, CA
(US)

(72) Inventor: **Young Ha Kim**, Yorba Linda, CA (US)

(73) Assignee: **Dzinesquare Inc.**, La Mirada, CA (US)

(**) Term: **14 Years**

(21) Appl. No.: **29/450,589**

(22) Filed: **Mar. 19, 2013**

(51) **LOC (9) Cl.** **12-16**

(52) **U.S. Cl.**
USPC **D12/209**

(58) **Field of Classification Search**
USPC D12/204–213; 301/37.101, 64.101,
301/65, 64.201
See application file for complete search history.

(56) **References Cited**

U.S. PATENT DOCUMENTS

D645,389 S * 9/2011 Nissl D12/209
D652,363 S * 1/2012 Chung D12/211
D659,068 S * 5/2012 Johnson D12/211

D660,768 S * 5/2012 De Bono D12/211
D663,670 S * 7/2012 Juergens et al. D12/211
D666,957 S * 9/2012 Antoniadis et al. D12/211
D673,101 S * 12/2012 Behmer et al. D12/211

* cited by examiner

Primary Examiner — Stacia Cadmus

(74) *Attorney, Agent, or Firm* — Lance M. Pritikin, Esq.;
Wolf, Rifkin, Shapiro, Shulman & Rabkin, LLP

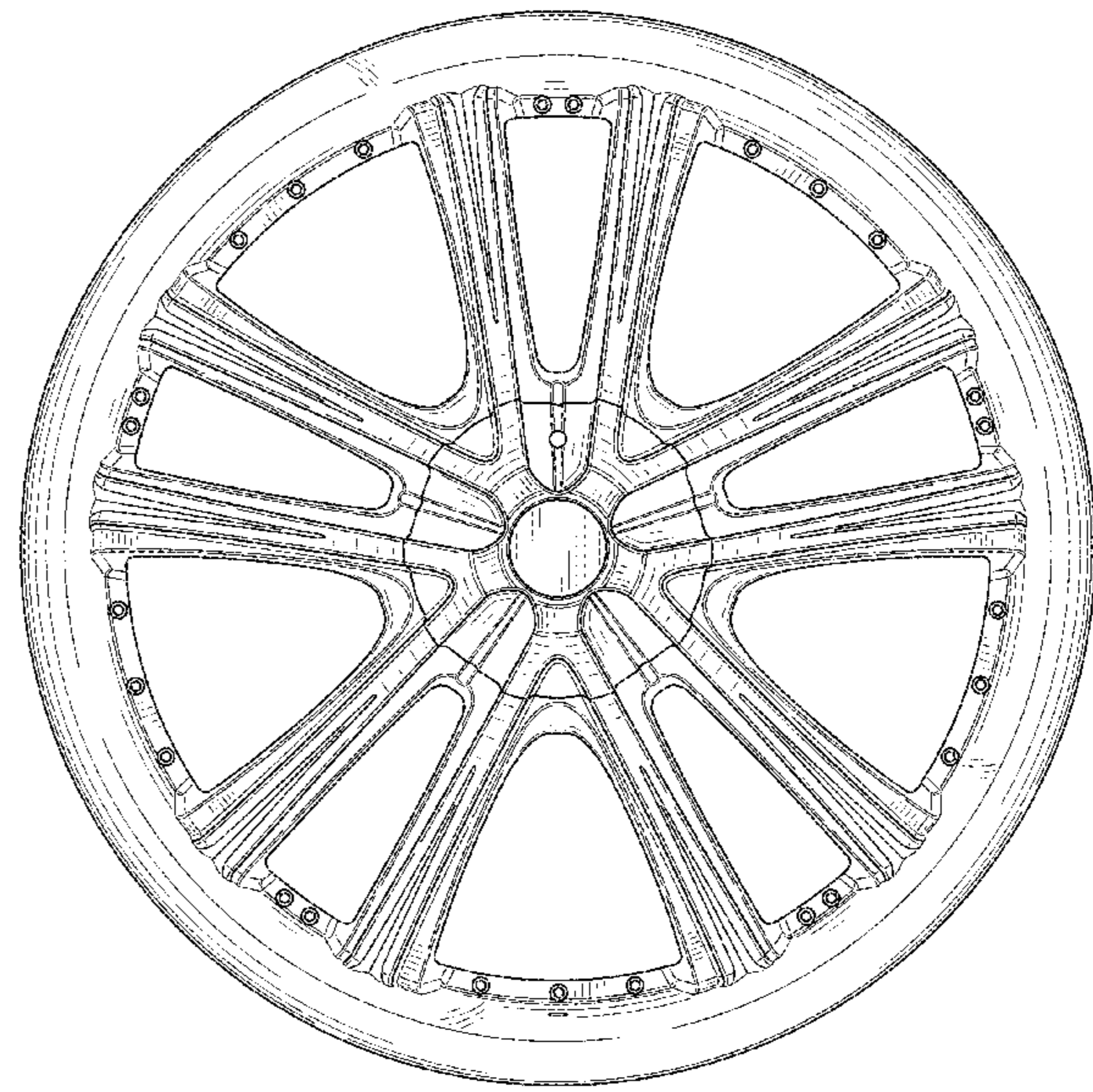
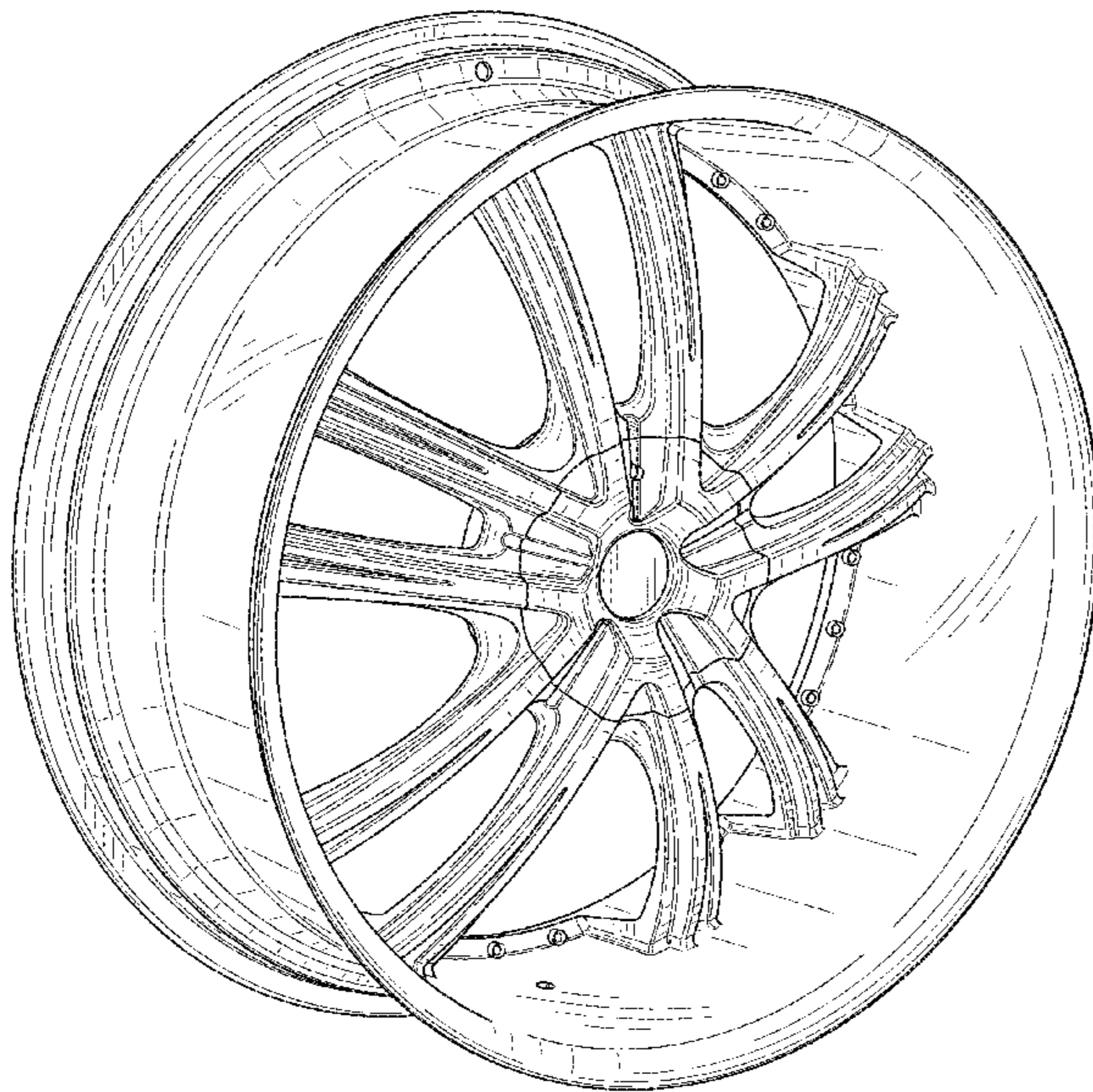
(57) **CLAIM**

The ornamental design for a vehicle wheel, as shown and described.

DESCRIPTION

FIG. 1 is a front perspective view of the vehicle wheel, showing my new design;
FIG. 2 is a front elevational view thereof;
FIG. 3 is a right side elevational view thereof with a left side elevational being a mirror image;
FIG. 4 is a top plan view thereof; and,
FIG. 5 is a bottom plan view thereof.

1 Claim, 4 Drawing Sheets



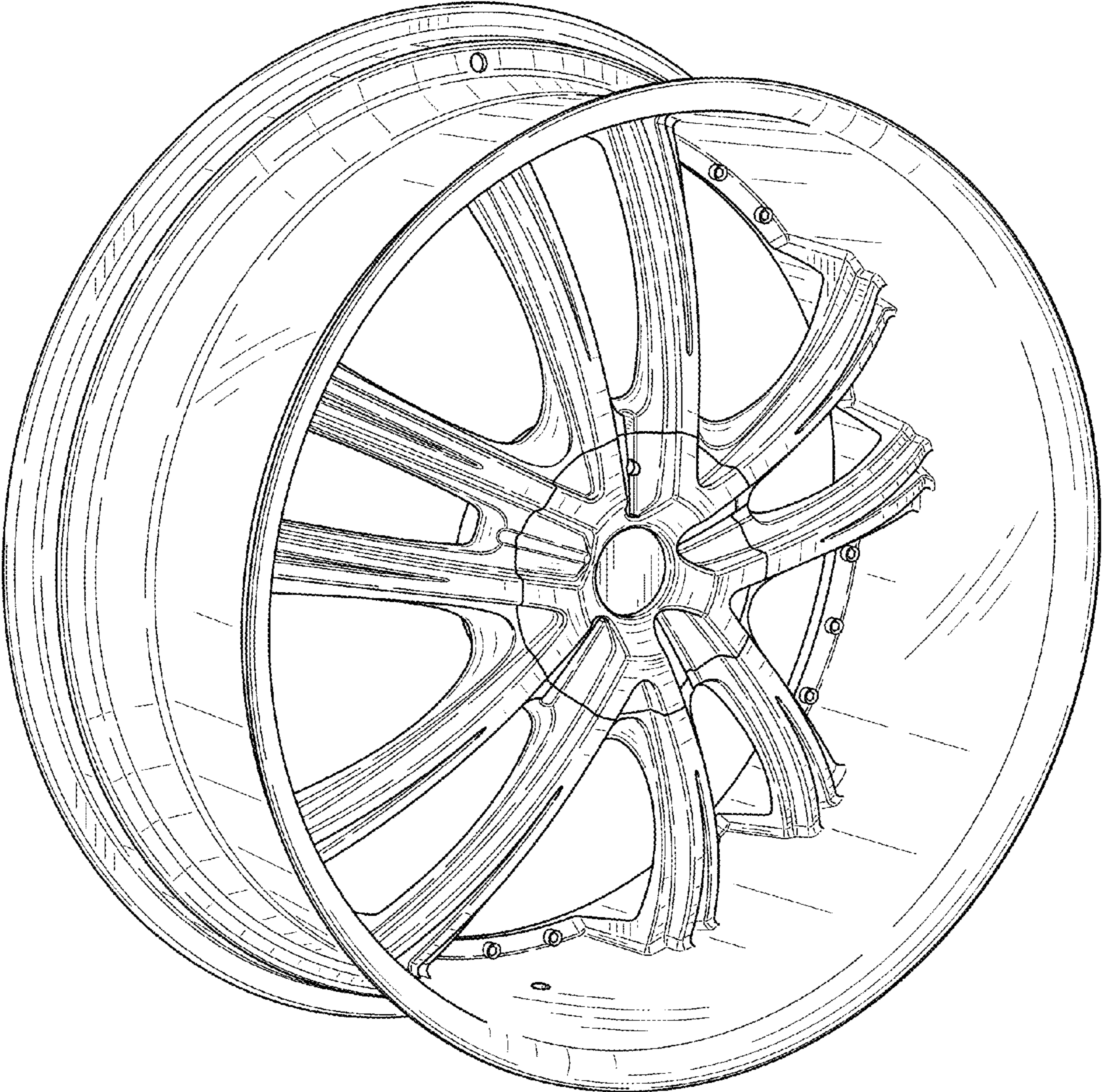


FIG. 1

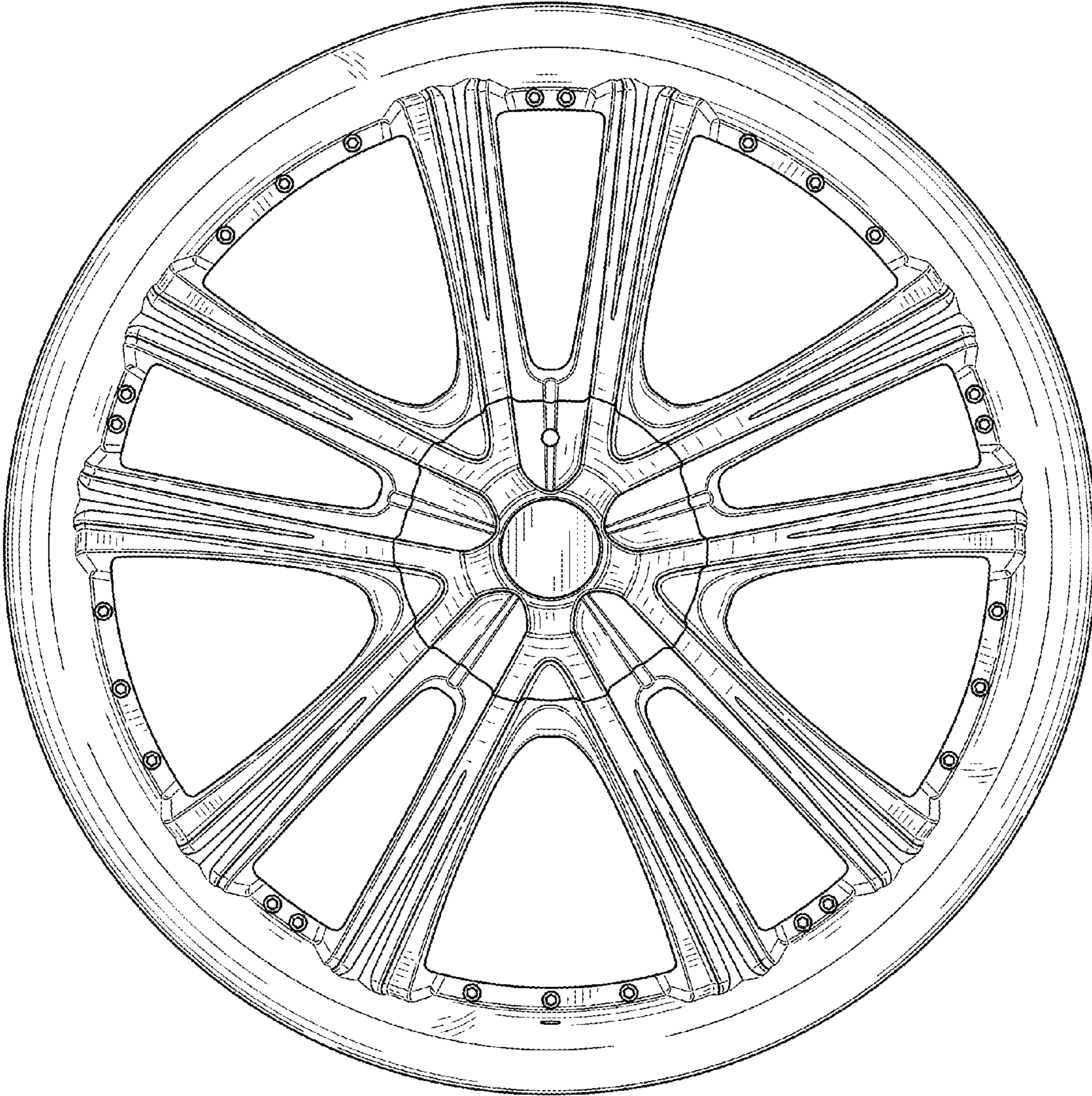


FIG. 2

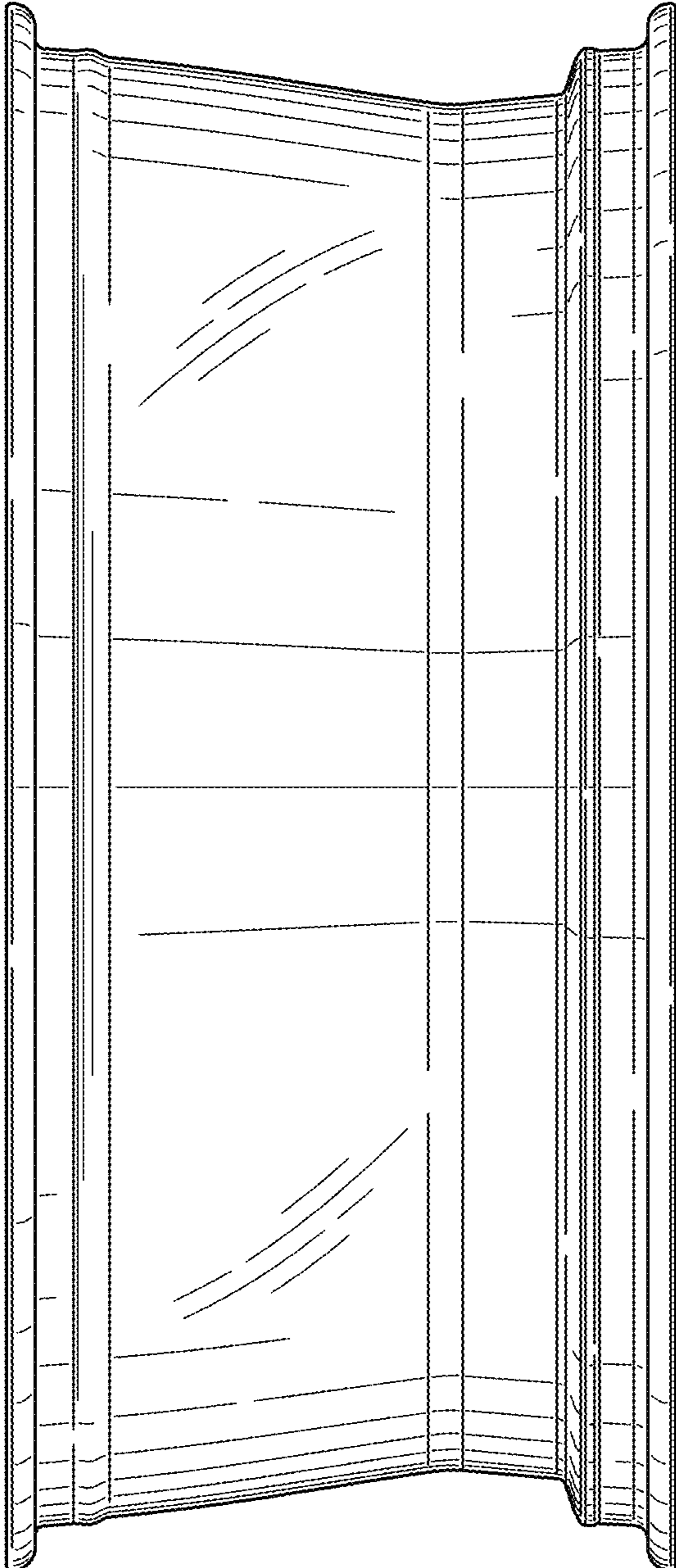


FIG. 3

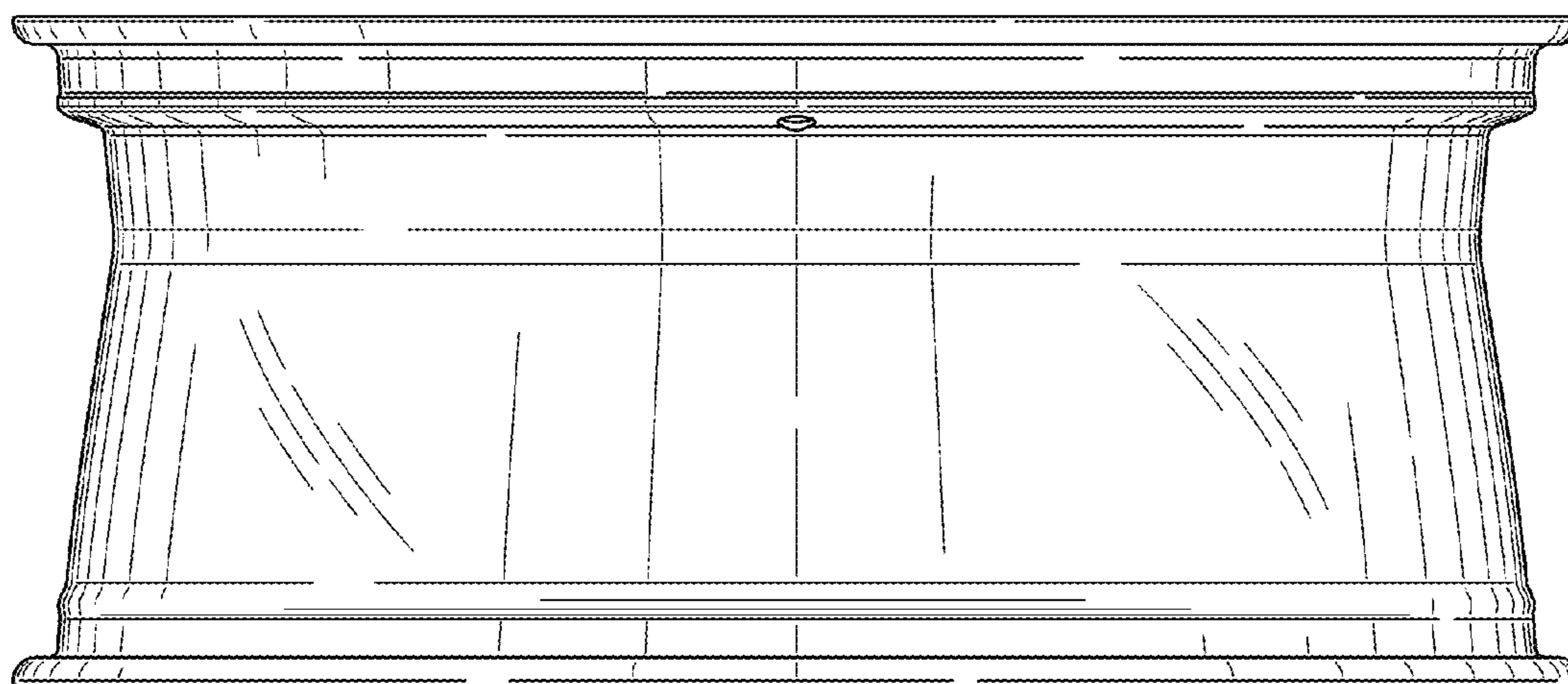


FIG. 4

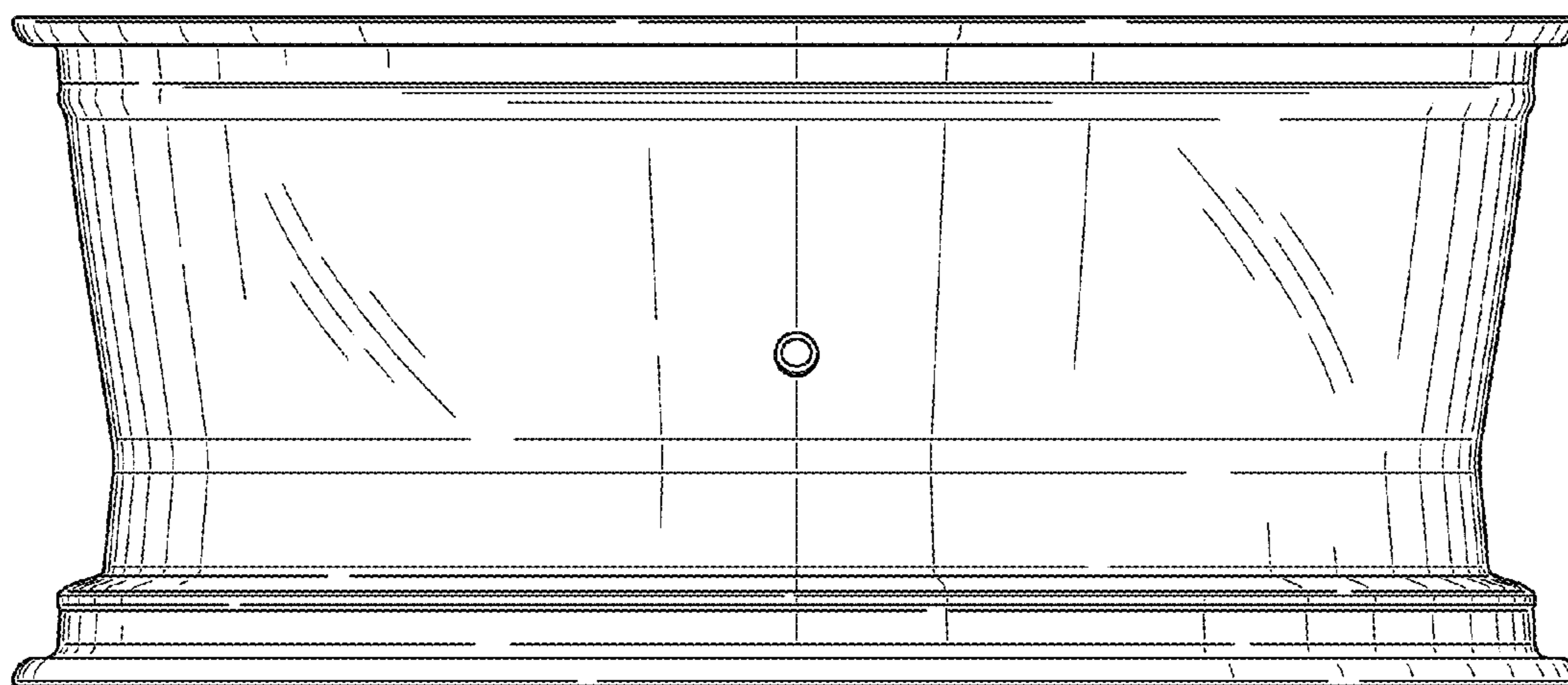


FIG. 5