



US00D689807S

(12) **United States Design Patent**
Frenzel et al.

(10) **Patent No.:** **US D689,807 S**

(45) **Date of Patent:** **** Sep. 17, 2013**

(54) **WHEEL OR WHEEL COVER**

(75) Inventors: **Klaus Frenzel**, Stuttgart (DE);
Hans-Dieter Futschik, Stuttgart (DE);
Robert Lesnik, Stuttgart (DE); **Fan**
Zhang, Stuttgart (DE)

(73) Assignee: **Daimler AG**, Stuttgart (DE)

(**) Term: **14 Years**

(21) Appl. No.: **29/392,562**

(22) Filed: **May 24, 2011**

(30) **Foreign Application Priority Data**

Nov. 25, 2010 (EM) 001785569-0001

(51) **LOC (9) Cl.** **12-16**

(52) **U.S. Cl.**
USPC **D12/209**

(58) **Field of Classification Search**
USPC D12/204–213; 301/37.101, 64.101,
301/65, 64.201

See application file for complete search history.

(56) **References Cited**

U.S. PATENT DOCUMENTS

D288,313	S	*	2/1987	Sandberg	D12/211
D337,565	S	*	7/1993	Envall	D12/209
D408,775	S	*	4/1999	Shikado	D12/209
D441,708	S	*	5/2001	Pfeiffer	D12/211
D454,827	S	*	3/2002	Pfeiffer et al.	D12/211
D542,723	S	*	5/2007	Bruntz et al.	D12/204
D658,562	S	*	5/2012	Junghanns	D12/211

* cited by examiner

Primary Examiner — Stacia Cadmus

(74) *Attorney, Agent, or Firm* — Crowell & Moring LLP

(57) **CLAIM**

The ornamental design for a wheel or wheel cover, as shown and described.

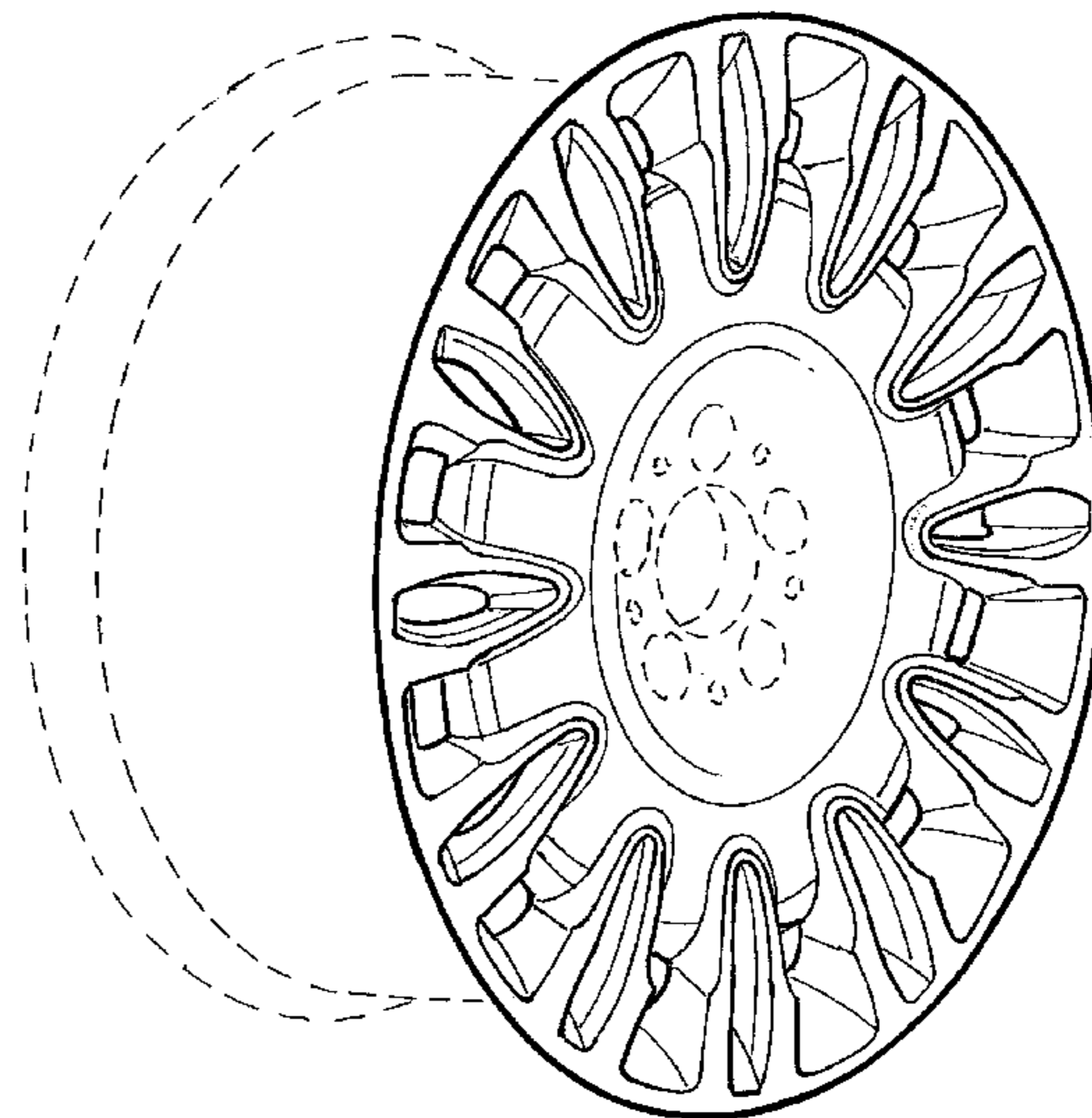
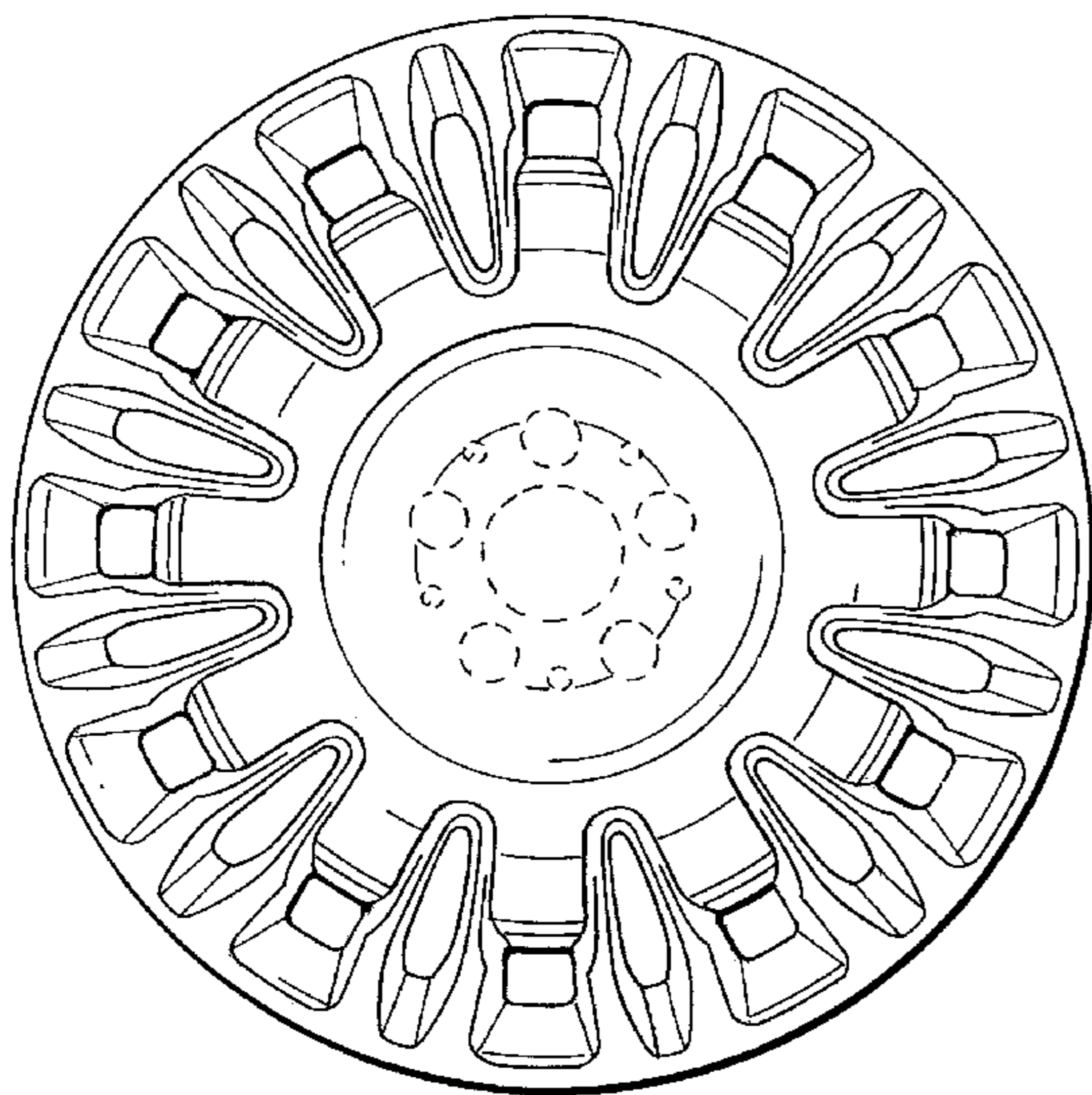
DESCRIPTION

FIG. 1 is a front view of a wheel or wheel cover according to our design; and,

FIG. 2 is a perspective view thereof.

The broken line showing of the rear of the wheel and the bolt holes and center opening in the central hub area is included for the purpose of illustrating environment and forms no part of the claimed design.

1 Claim, 1 Drawing Sheet



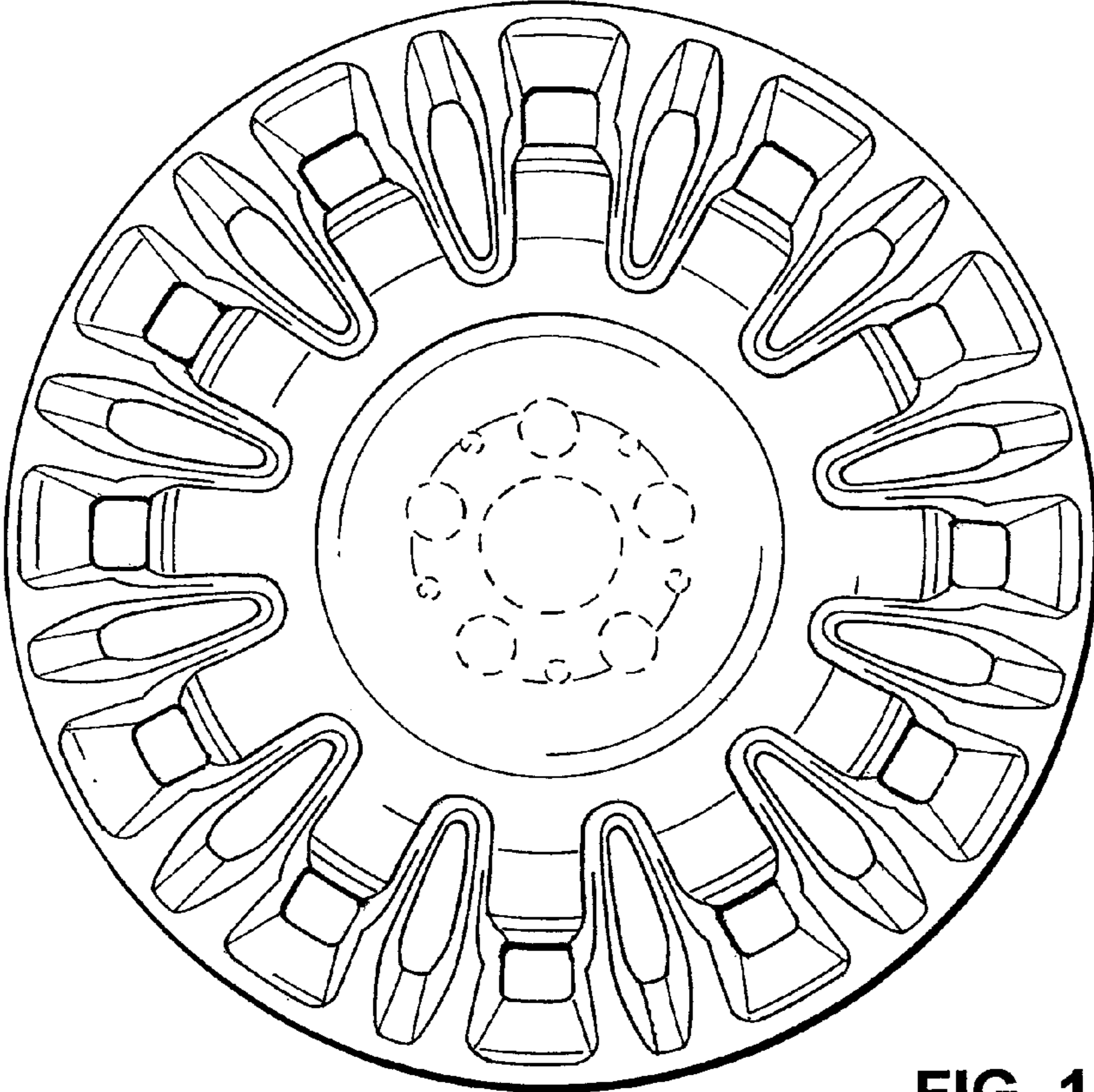


FIG. 1

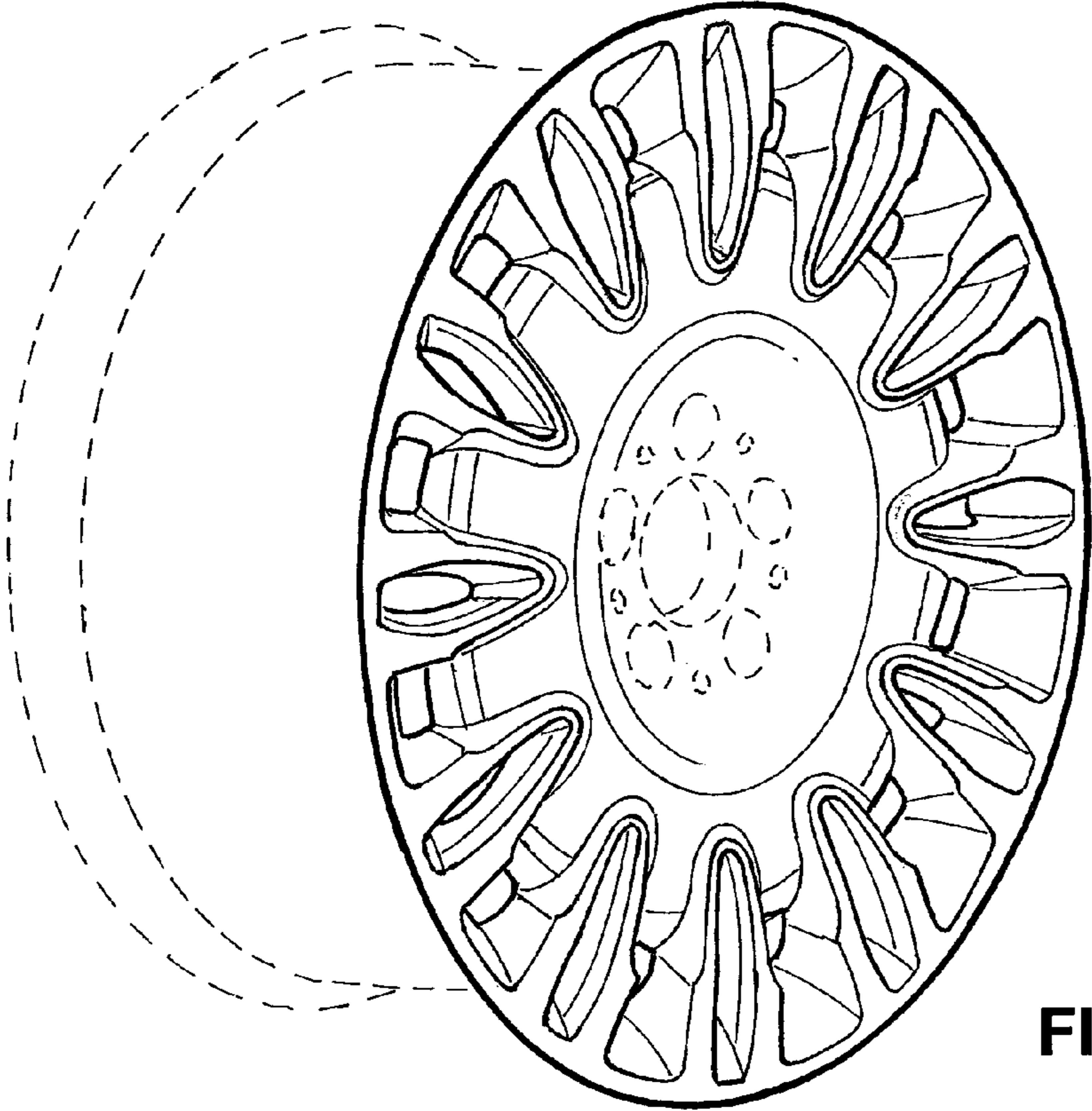


FIG. 2