



US00D689805S

(12) **United States Design Patent**  
**Spencer et al.**

(10) **Patent No.:** **US D689,805 S**

(45) **Date of Patent:** **\*\* Sep. 17, 2013**

(54) **LICENSE PLATE FRAME**

(71) Applicant: **Cruiser Accessories, LLC**, Monument, CO (US)

(72) Inventors: **Todd Spencer**, Monument, CO (US);  
**Eldon Goates**, Colorado Springs, CO (US); **Bret Zelenka**, Monument, CO (US)

(73) Assignee: **Cruiser Accessories, LLC**, Monument, CO (US)

(\*\*) Term: **14 Years**

(21) Appl. No.: **29/442,714**

(22) Filed: **Apr. 24, 2013**

(51) **LOC (9) Cl.** ..... **12-16**

(52) **U.S. Cl.**  
USPC ..... **D12/193**

(58) **Field of Classification Search**  
USPC ..... D12/193; D6/300-302, 310-314;  
40/200-204, 207-214; D20/13; 348/148,  
348/373

See application file for complete search history.

(56) **References Cited**

**U.S. PATENT DOCUMENTS**

D331,217 S \* 11/1992 Spencer ..... D12/193  
D348,425 S \* 7/1994 Leu ..... D12/193

D375,072 S \* 10/1996 Chiou ..... D12/193  
D380,429 S \* 7/1997 Clark et al. .... D12/193  
D520,422 S \* 5/2006 Spencer ..... D12/193  
D528,487 S \* 9/2006 Spencer ..... D12/193  
D561,672 S \* 2/2008 Hu ..... D12/193  
D645,386 S \* 9/2011 Hu ..... D12/193  
D647,834 S \* 11/2011 Spencer et al. .... D12/193

\* cited by examiner

*Primary Examiner* — Stacia Cadmus

(74) *Attorney, Agent, or Firm* — Linda Flewellen Gould

(57) **CLAIM**

The ornamental design for a license plate frame, as shown and described.

**DESCRIPTION**

FIG. 1 is a perspective front view showing our new design for a license plate frame.

FIG. 2 is a magnified view of a portion of the license plate frame shown in FIG. 1.

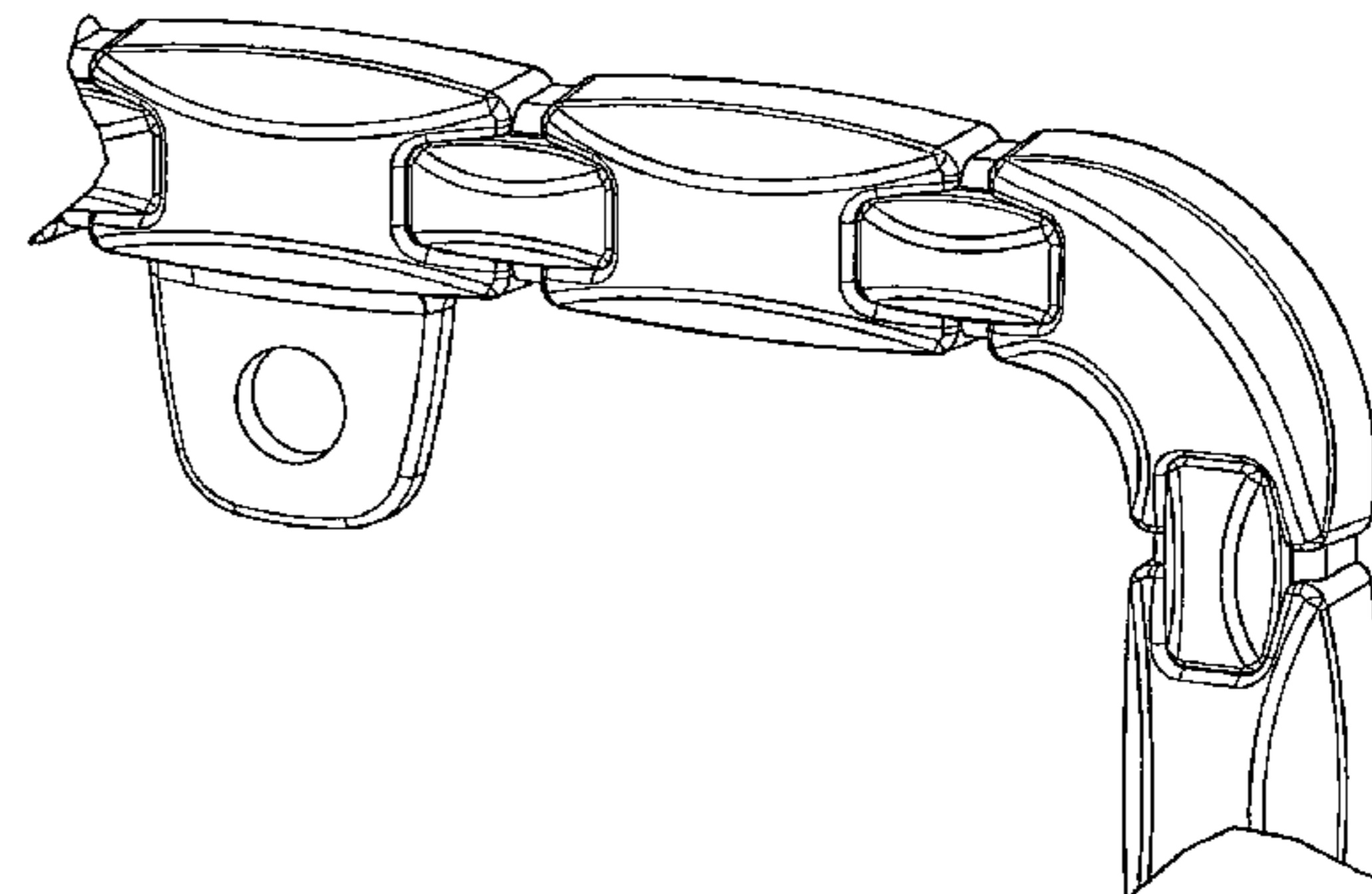
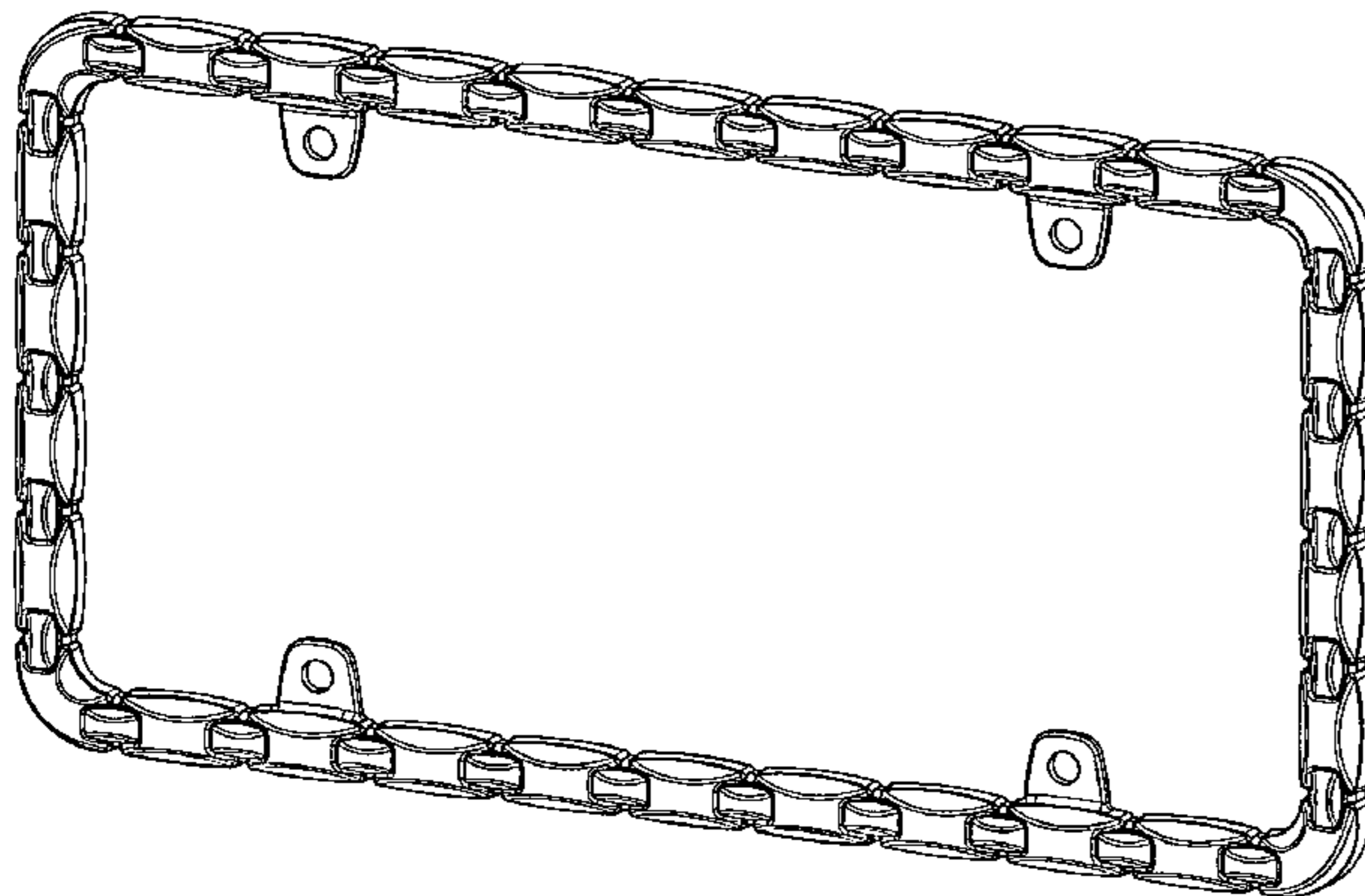
FIG. 3 is a front view of the license plate frame of the present invention.

FIG. 4 is a back view of the license plate frame of the present invention.

FIG. 5 is a right side view of the license plate frame of the present invention, the left side view being the mirror image thereof; and,

FIG. 6 is a top view of the license plate frame of the present invention, the bottom view being the mirror image thereof.

**1 Claim, 3 Drawing Sheets**



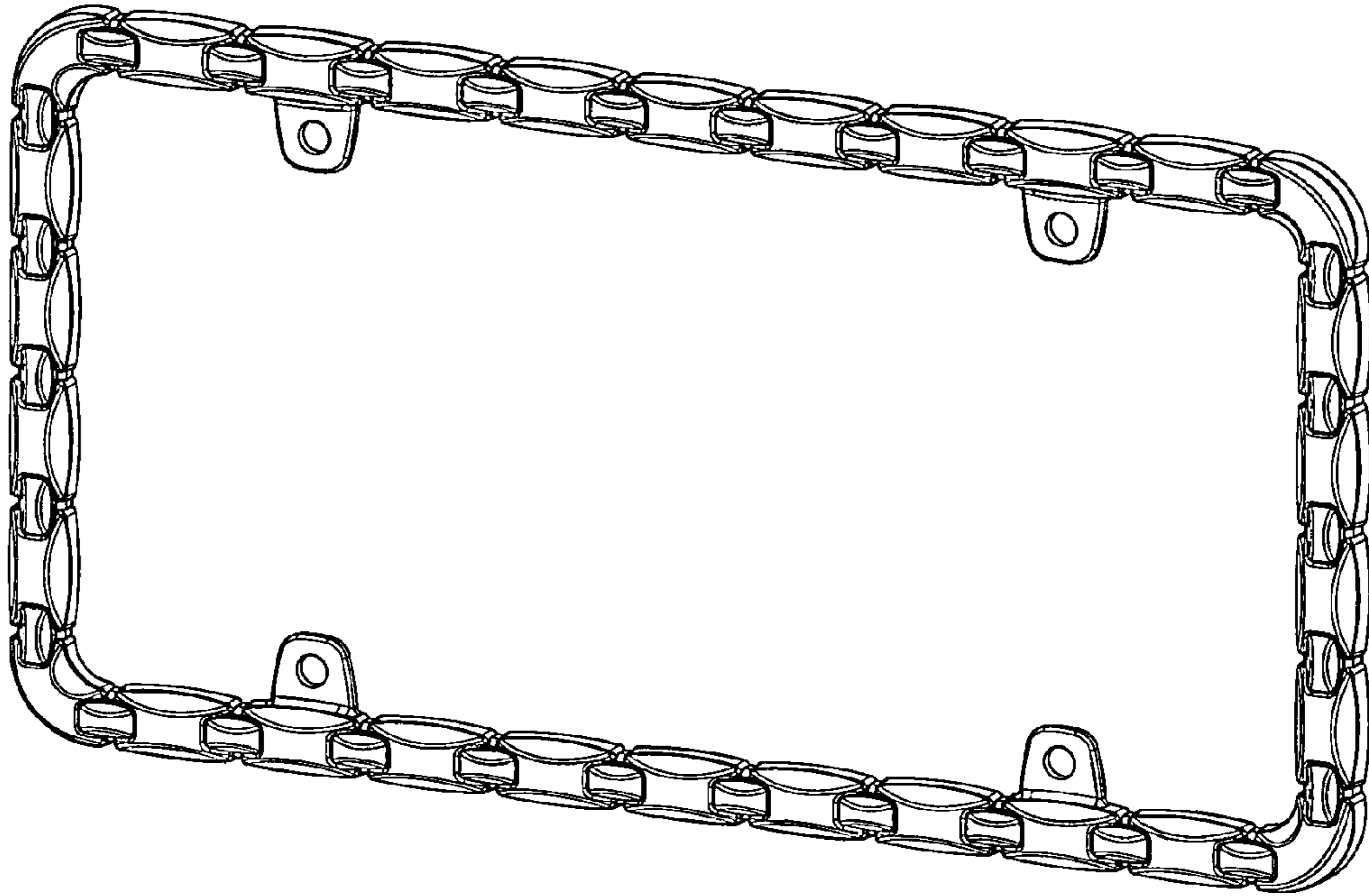


Figure 1

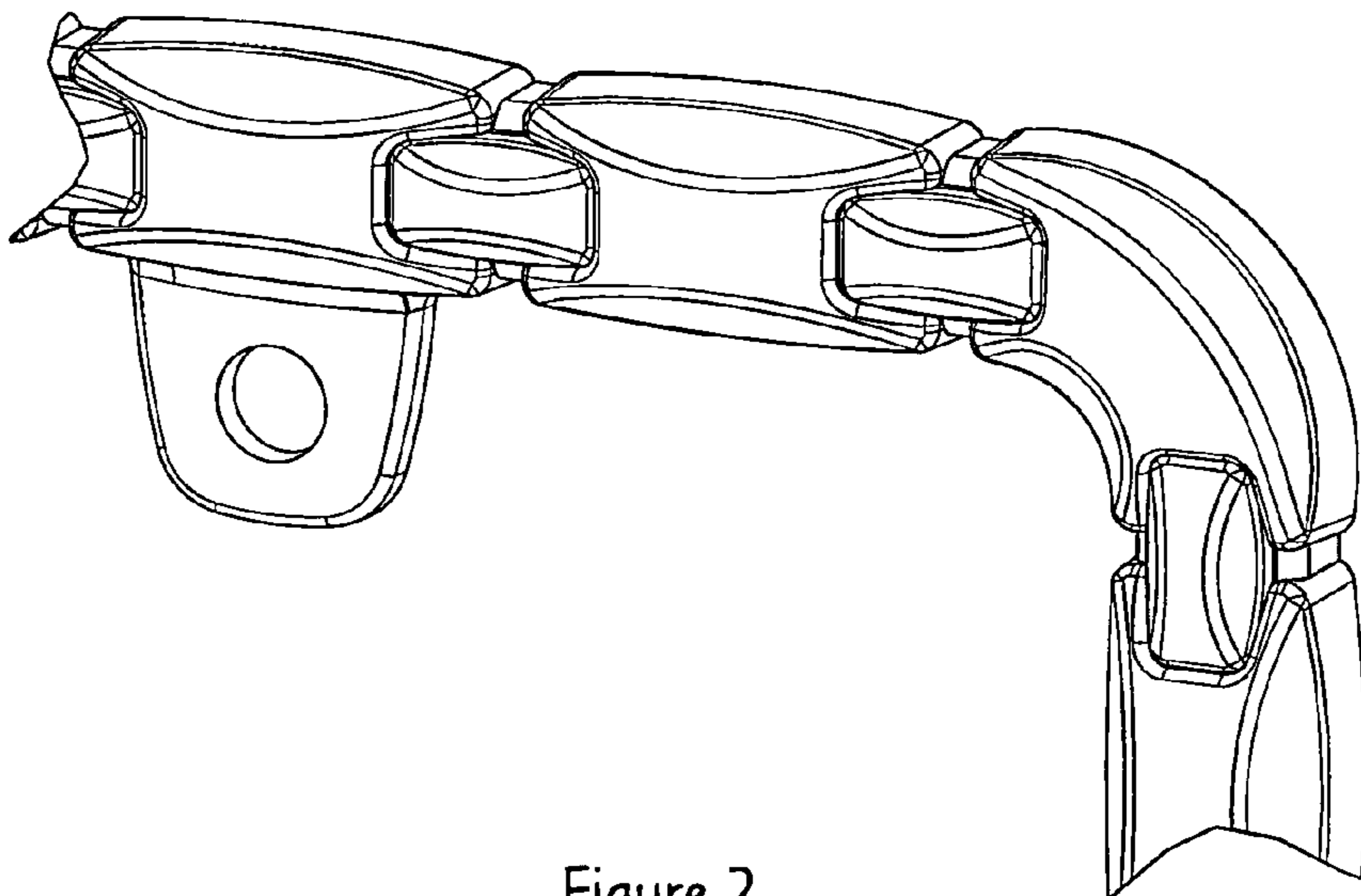


Figure 2

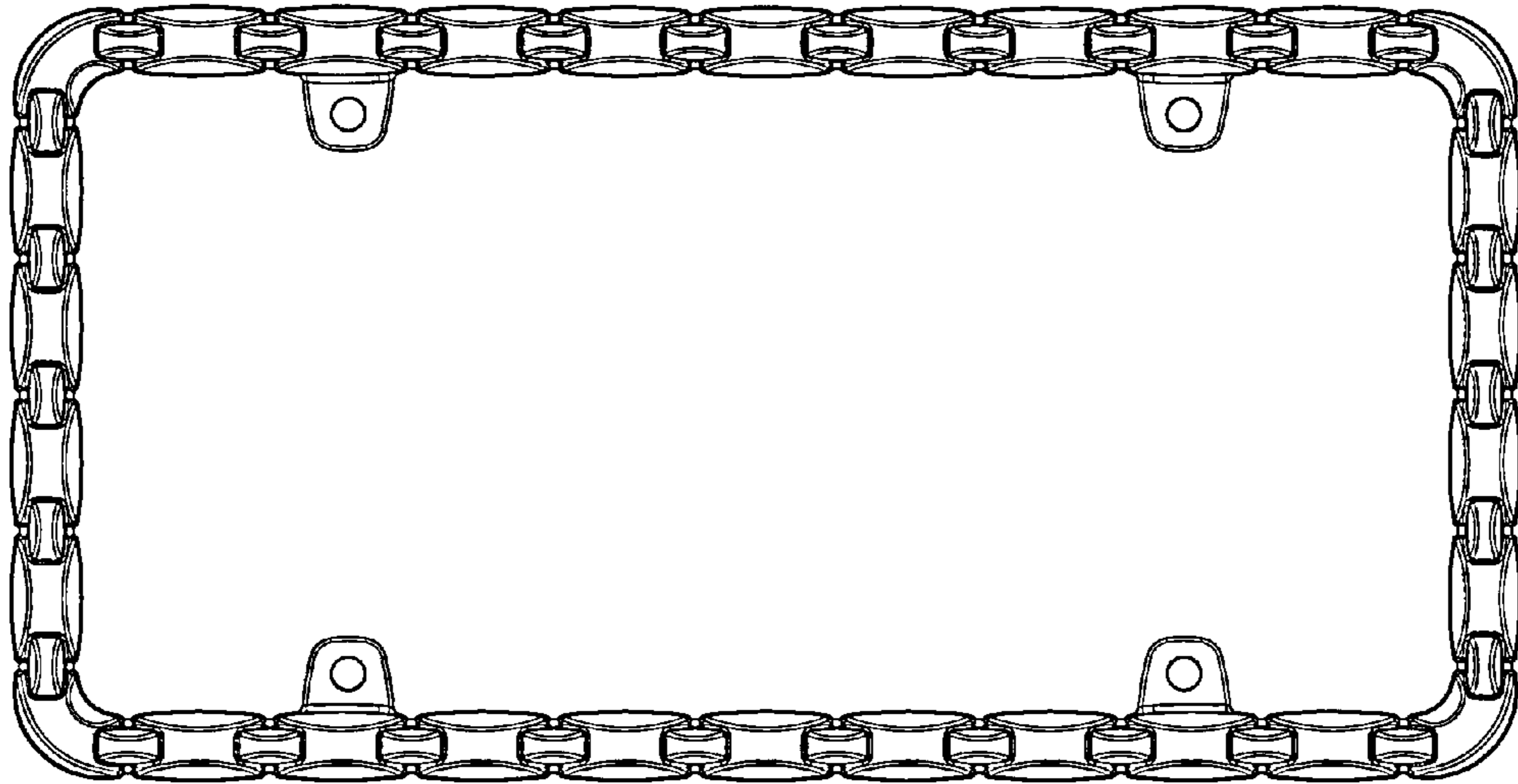


Figure 3

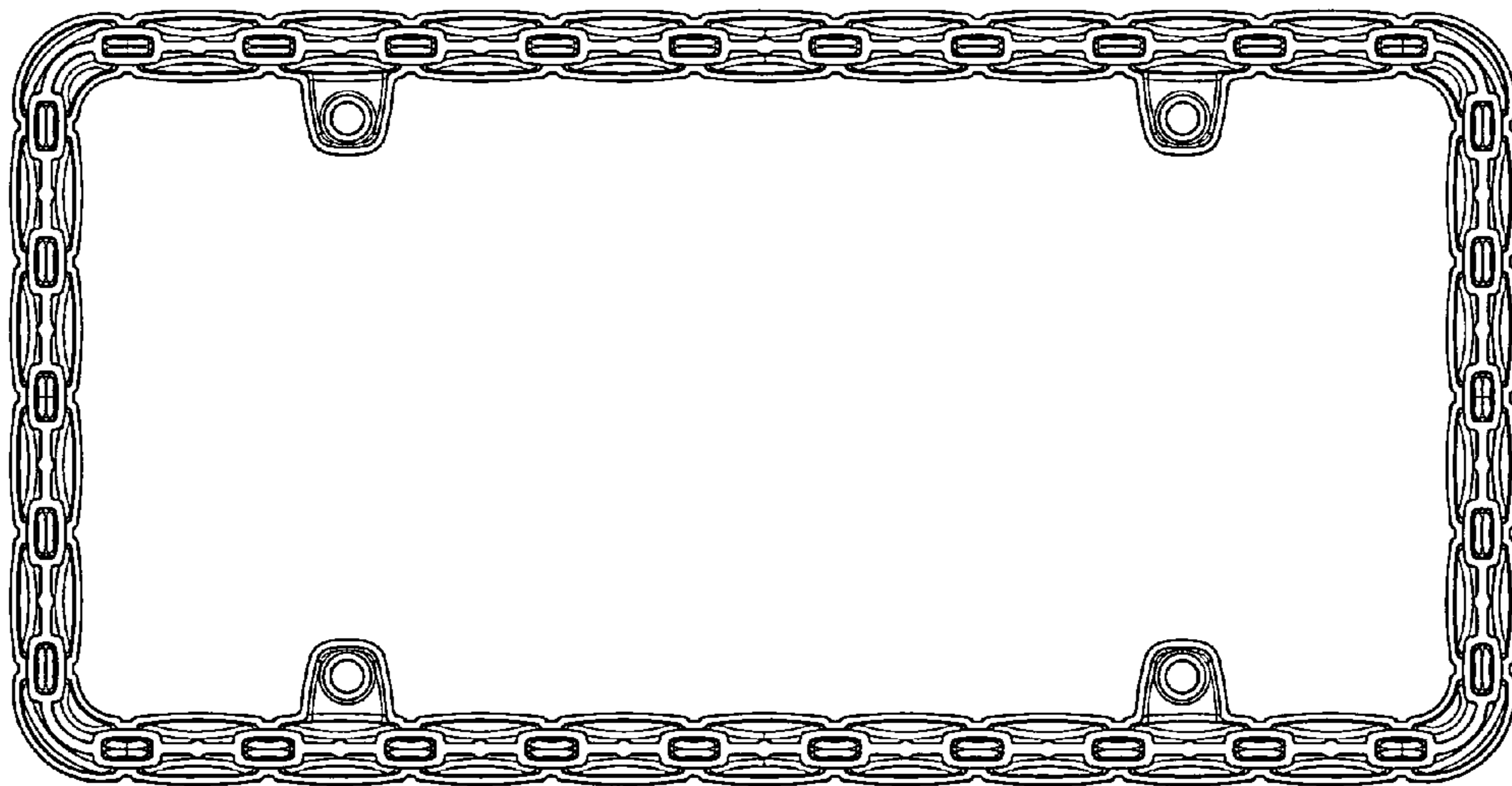


Figure 4

Figure 5



Figure 6