



US00D689803S

(12) **United States Design Patent**  
**Spencer et al.**

(10) **Patent No.:** **US D689,803 S**

(45) **Date of Patent:** **\*\* Sep. 17, 2013**

- (54) **LICENSE PLATE FRAME**
- (71) Applicant: **Cruiser Accessories, LLC**, Monument, CO (US)
- (72) Inventors: **Todd Spencer**, Monument, CO (US); **Eldon Goates**, Colorado Springs, CO (US); **Bret Zelenka**, Monument, CO (US)
- (73) Assignee: **Cruiser Accessories, LLC**, Monument, CO (US)
- (\*\*) Term: **14 Years**

|              |         |                  |       |         |
|--------------|---------|------------------|-------|---------|
| D537,395 S * | 2/2007  | Magee            | ..... | D12/193 |
| D538,722 S * | 3/2007  | Tofer            | ..... | D12/193 |
| D602,832 S * | 10/2009 | Tharp et al.     | ..... | D12/193 |
| D636,713 S * | 4/2011  | Ohm et al.       | ..... | D12/193 |
| D640,177 S * | 6/2011  | Ohm et al.       | ..... | D12/193 |
| D650,729 S * | 12/2011 | Dong             | ..... | D12/193 |
| D662,448 S * | 6/2012  | Krankkala et al. | ..... | D12/193 |
| D676,792 S * | 2/2013  | Benjamini et al. | ..... | D12/193 |

\* cited by examiner

*Primary Examiner* — Stacia Cadmus

(74) *Attorney, Agent, or Firm* — Linda Flewellen Gould

(57) **CLAIM**

The ornamental design for a license plate frame, as shown and described.

**DESCRIPTION**

FIG. 1 is a perspective front view showing our new design for a license plate frame.

FIG. 2 is a magnified view of a portion of the license plate frame shown in FIG. 1.

FIG. 3 is a front view of the license plate frame of the present invention.

FIG. 4 is a back view of the license plate frame of the present invention.

FIG. 5 is a right side view of the license plate frame of the present invention, the left side view being the mirror image thereof; and,

FIG. 6 is a top view of the license plate frame of the present invention, the bottom view being the mirror image thereof.

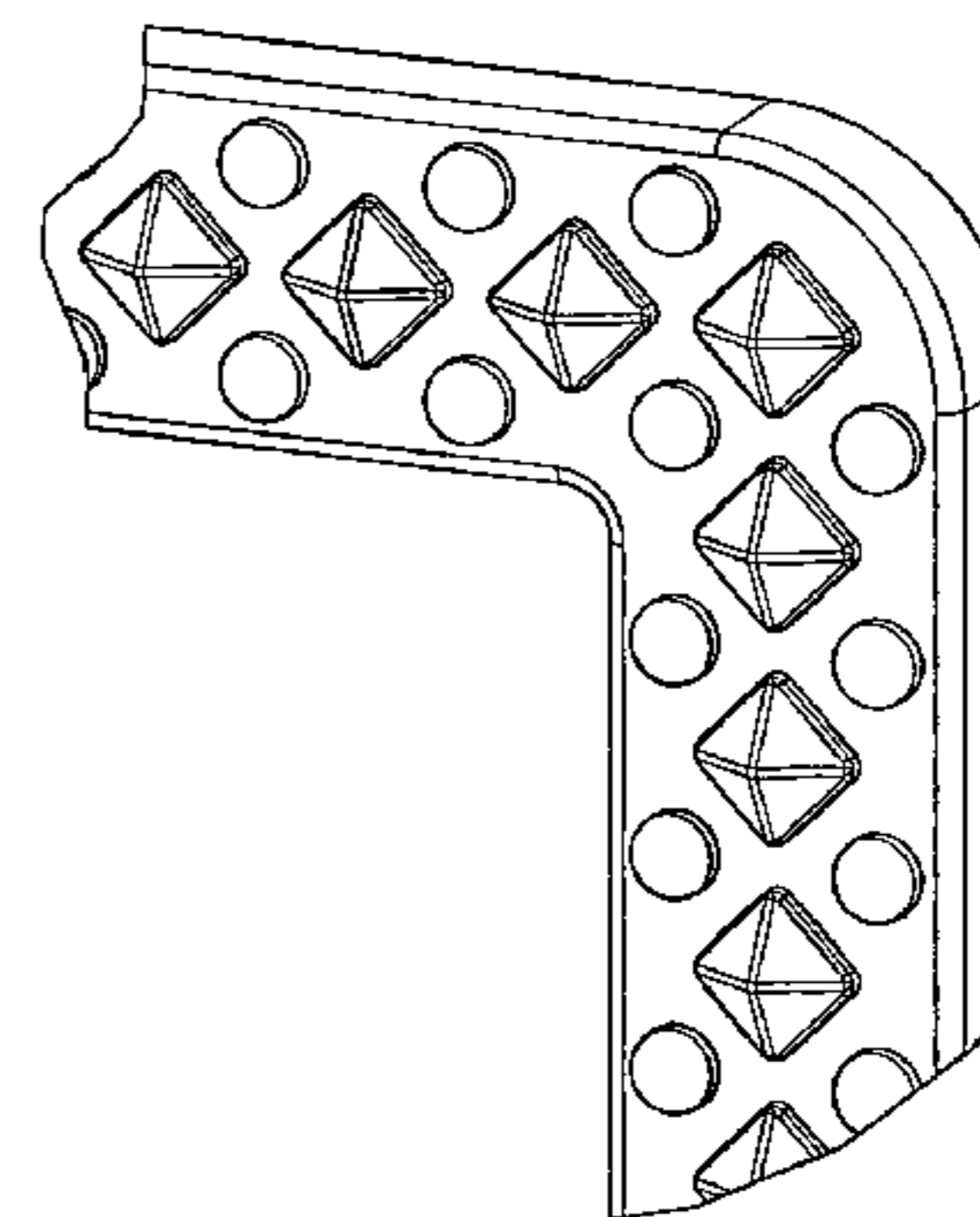
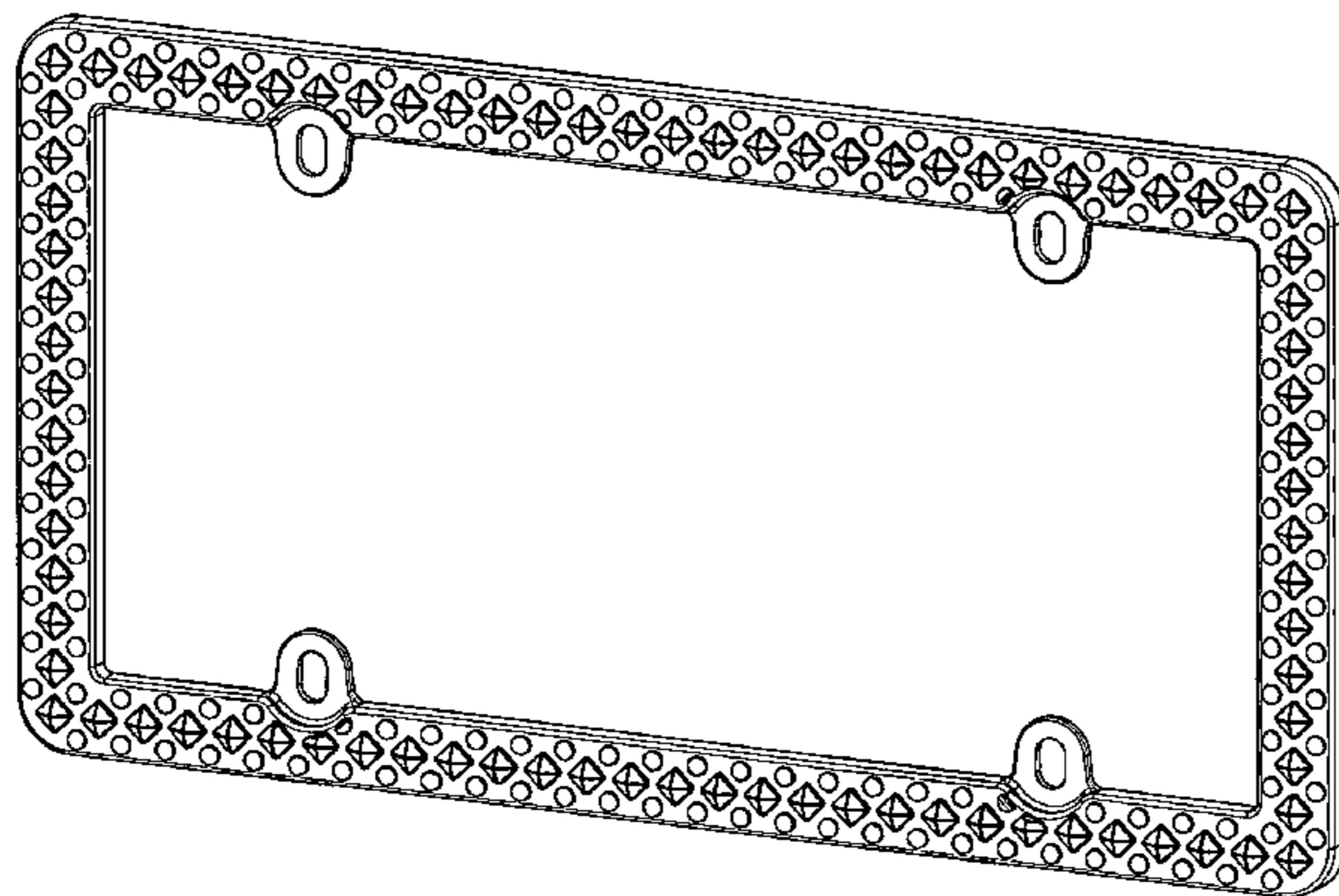
- (21) Appl. No.: **29/442,704**
- (22) Filed: **Apr. 23, 2013**
- (51) **LOC (9) Cl.** ..... **12-16**
- (52) **U.S. Cl.**  
USPC ..... **D12/193**
- (58) **Field of Classification Search**  
USPC ..... D12/193; D6/300-302, 310-314;  
40/200-204, 207-214; D20/13; 348/148,  
348/373  
See application file for complete search history.

(56) **References Cited**

U.S. PATENT DOCUMENTS

|              |        |         |       |         |
|--------------|--------|---------|-------|---------|
| D475,335 S * | 6/2003 | Wang    | ..... | D12/193 |
| D521,916 S * | 5/2006 | Spencer | ..... | D12/193 |

**1 Claim, 3 Drawing Sheets**



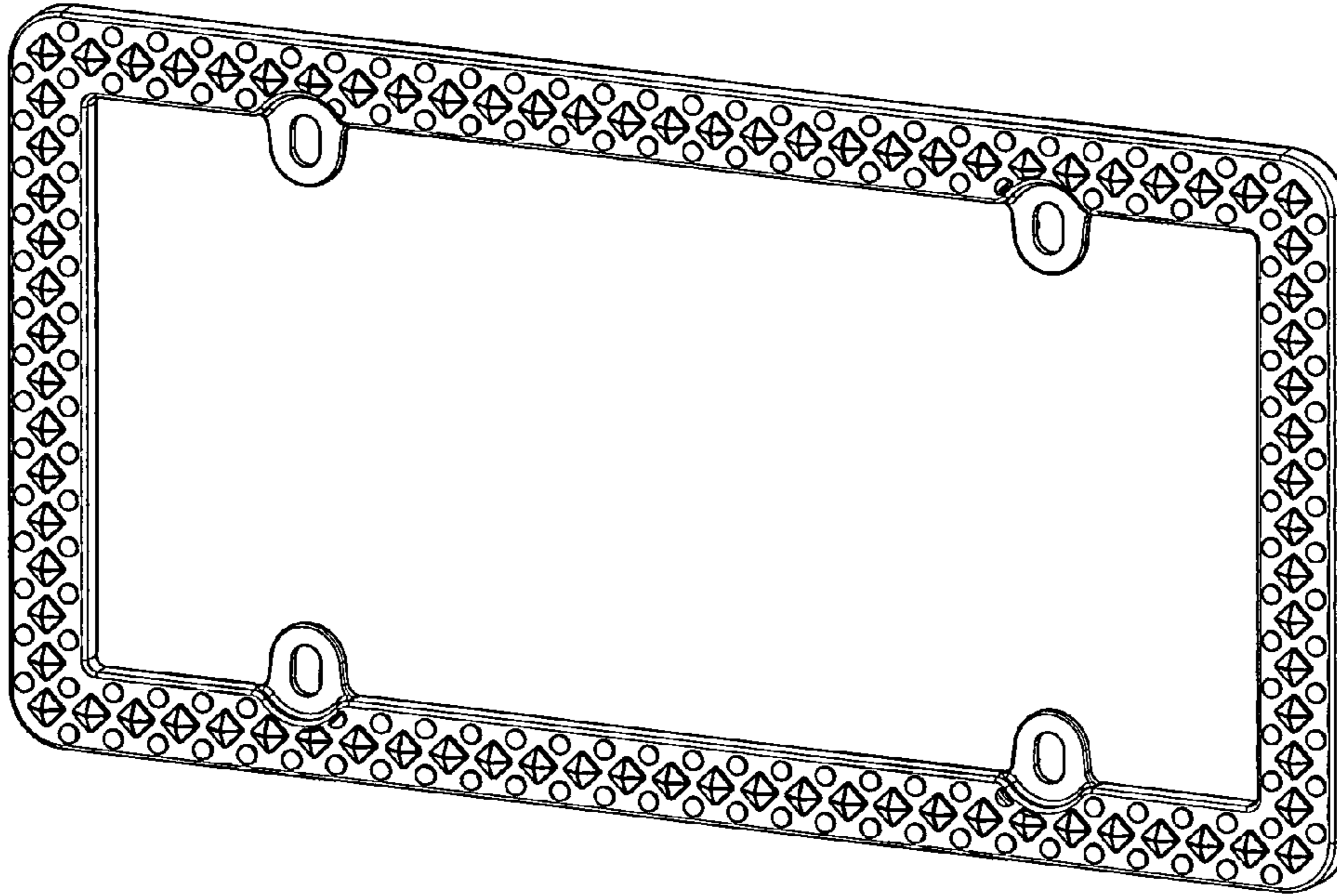


Figure 1

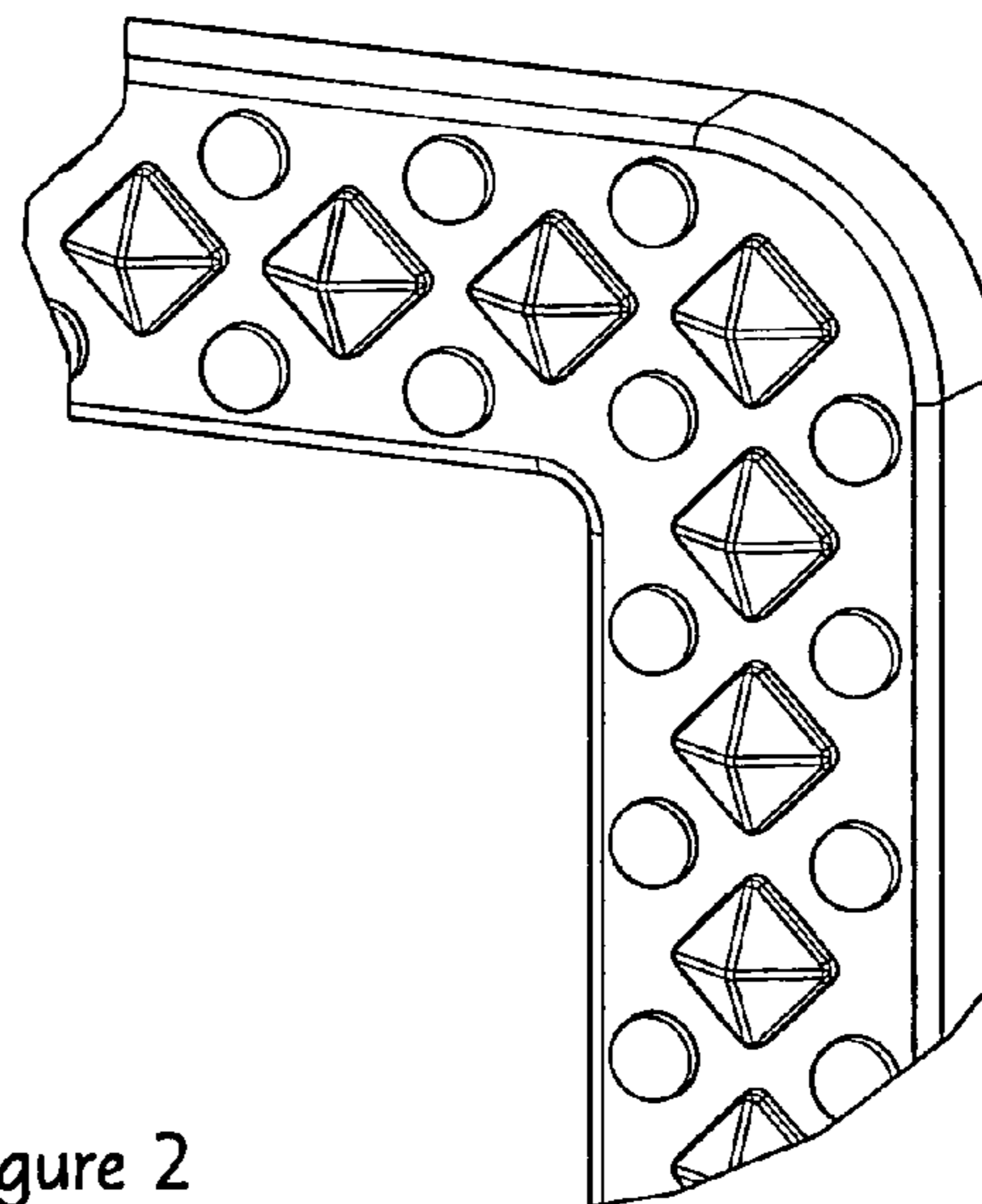


Figure 2

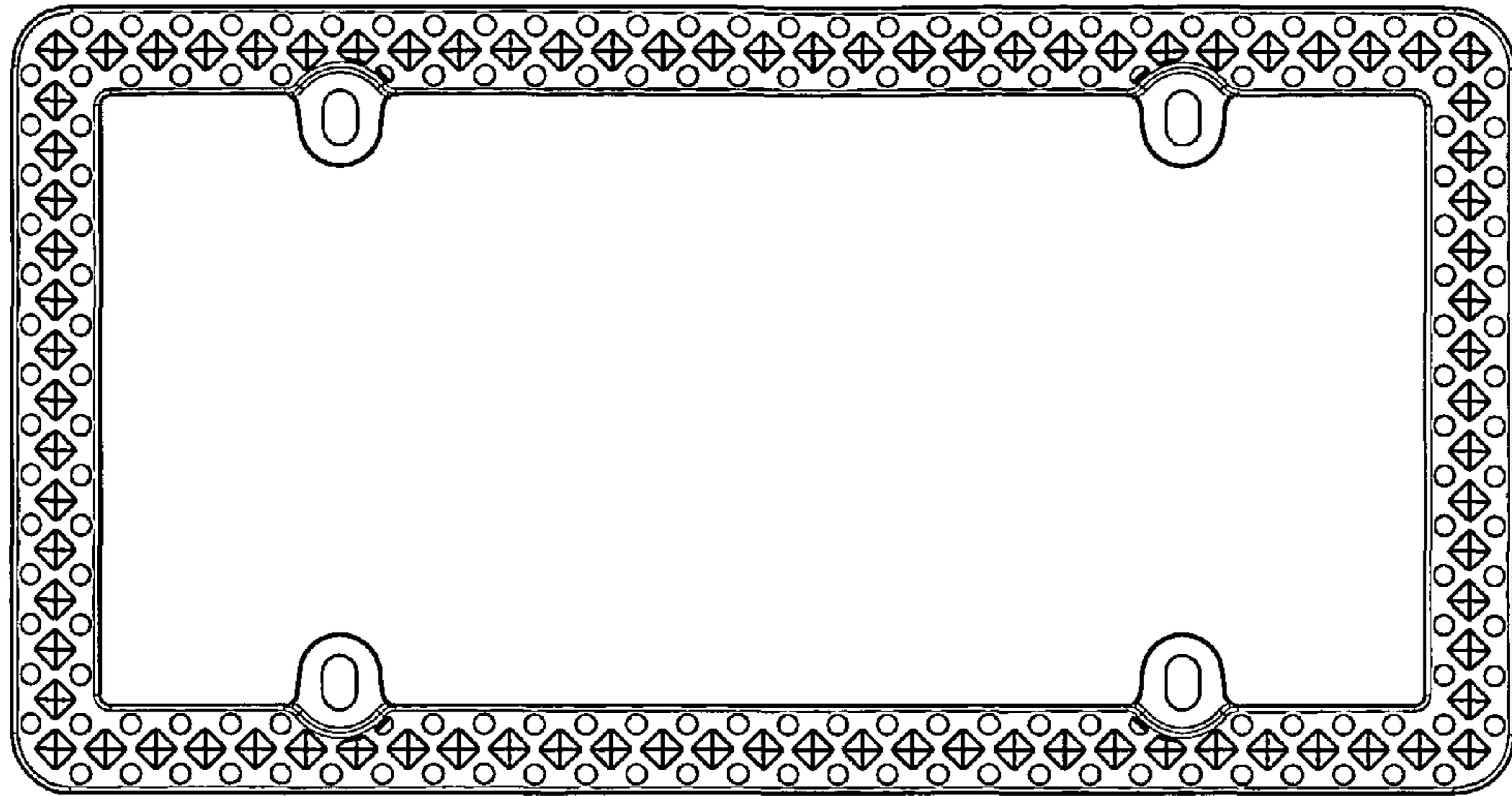


Figure 3

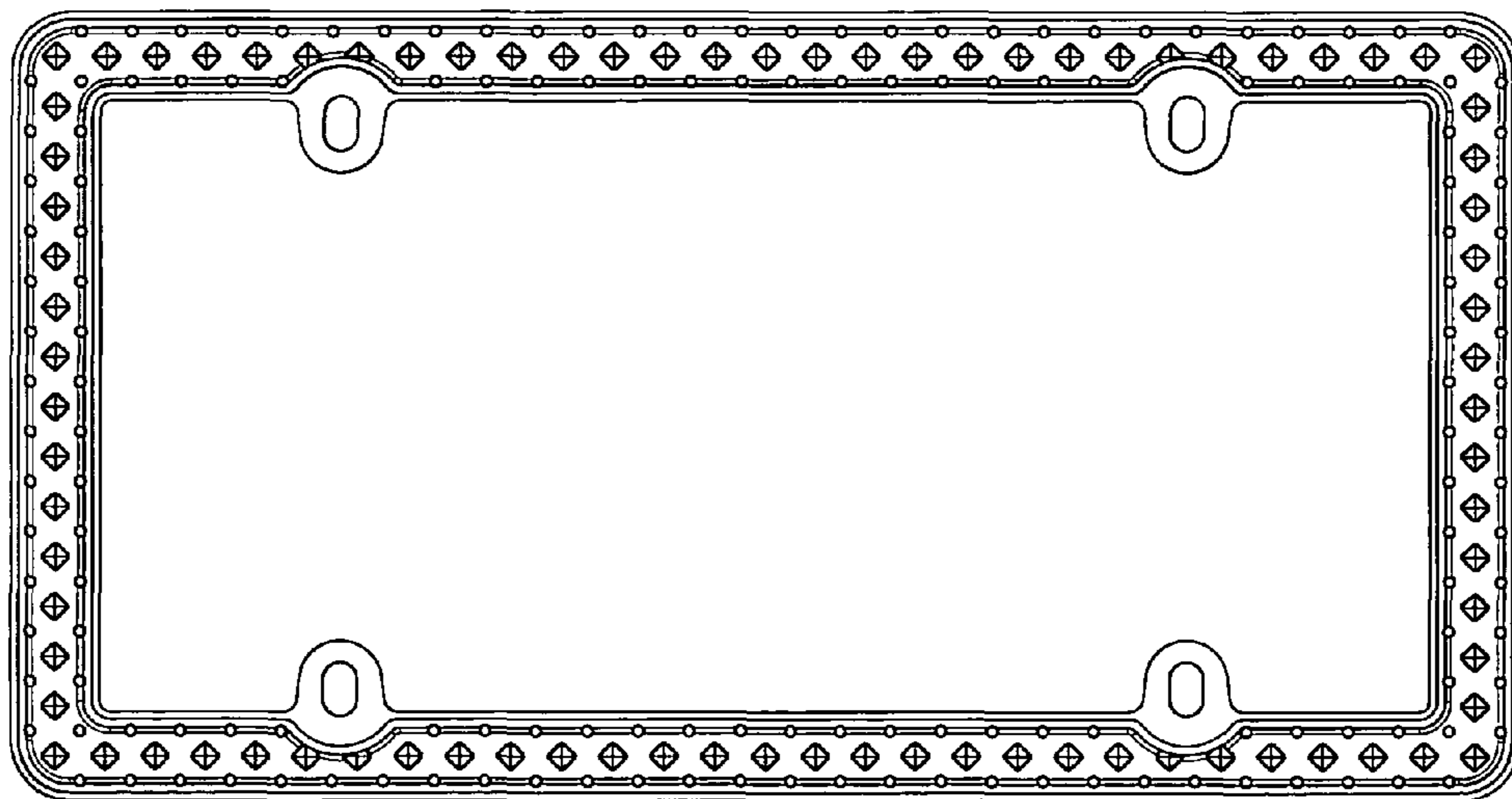


Figure 4

Figure 5



Figure 6