



US00D689798S

(12) **United States Design Patent**
Patterson et al.

(10) **Patent No.:** **US D689,798 S**

(45) **Date of Patent:** **** Sep. 17, 2013**

(54) **MINI-BIKE**

(76) Inventors: **Wayne Patterson**, Oakland, OR (US);
Johnny Liao, Irvine, CA (US)

(**) Term: **14 Years**

(21) Appl. No.: **29/419,708**

(22) Filed: **May 1, 2012**

(51) **LOC (9) Cl.** **12-11**

(52) **U.S. Cl.**
USPC **D12/111**

(58) **Field of Classification Search**
USPC D12/110, 111; 180/219, 220, 65.1,
180/68.5, 65.31, 205.1, 206.1, 207.1;
280/288.1–288.3

See application file for complete search history.

(56) **References Cited**

U.S. PATENT DOCUMENTS

D591,203 S * 4/2009 Martin D12/110
7,931,110 B2 * 4/2011 Nishiura et al. 180/220
D643,783 S * 8/2011 Thackery D12/110

D653,590 S * 2/2012 Patterson et al. D12/110
8,167,070 B2 * 5/2012 Takamura et al. 180/68.5
2010/0078251 A1 * 4/2010 Nishiura et al. 180/229

* cited by examiner

Primary Examiner — Susan M Lee

Assistant Examiner — Linda G Brooks

(74) *Attorney, Agent, or Firm* — Holland & Hart LLP; Bryan G. Pratt

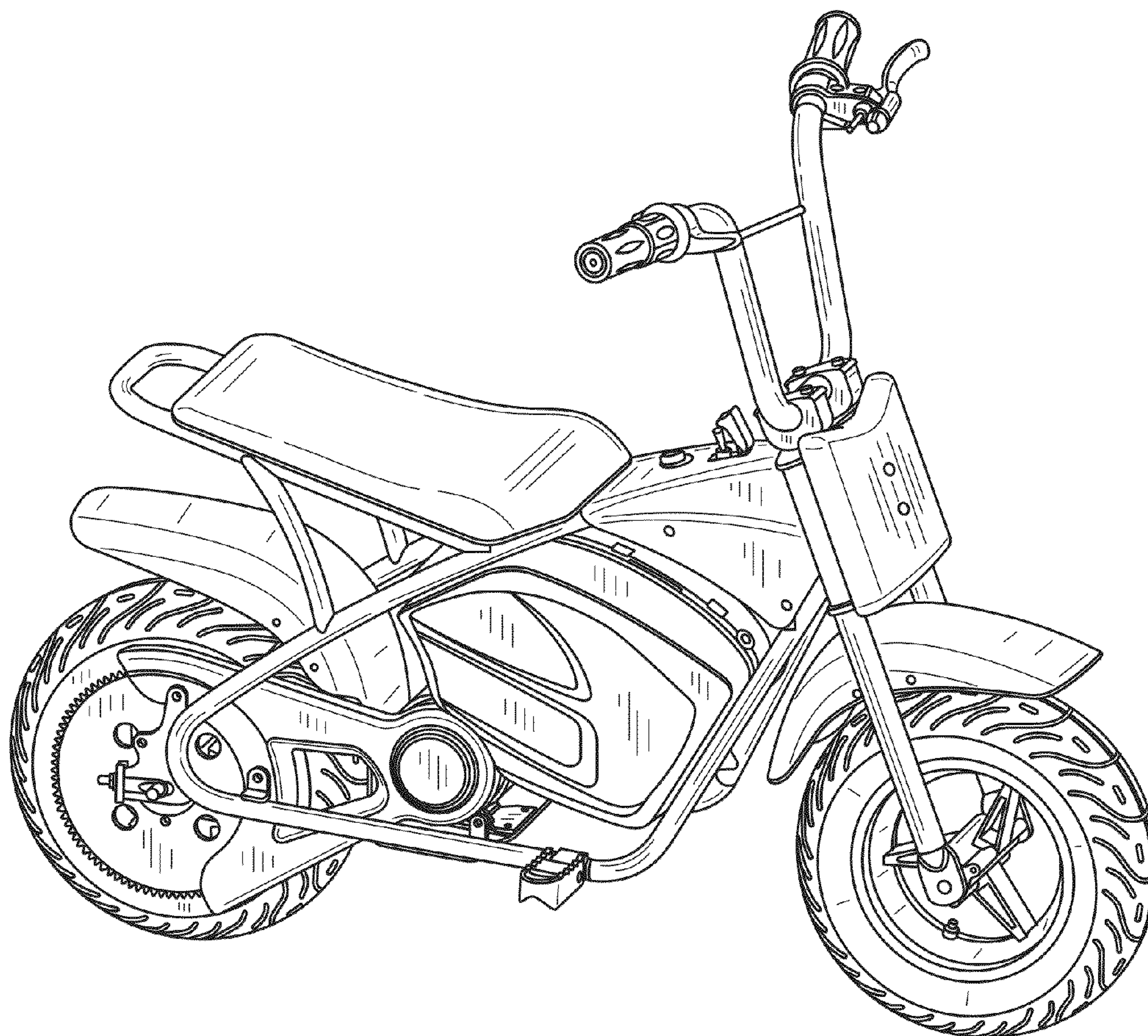
(57) **CLAIM**

The ornamental design for a mini-bike, as shown and described.

DESCRIPTION

FIG. 1 is a front perspective view of the mini-bike;
FIG. 2 is a top view of the mini-bike;
FIG. 3 is a bottom view of the mini-bike;
FIG. 4 is a rear view of the mini-bike;
FIG. 5 is a front view of the mini-bike;
FIG. 6 is a left side view of the mini-bike; and,
FIG. 7 is a right side view of the mini-bike.

1 Claim, 7 Drawing Sheets



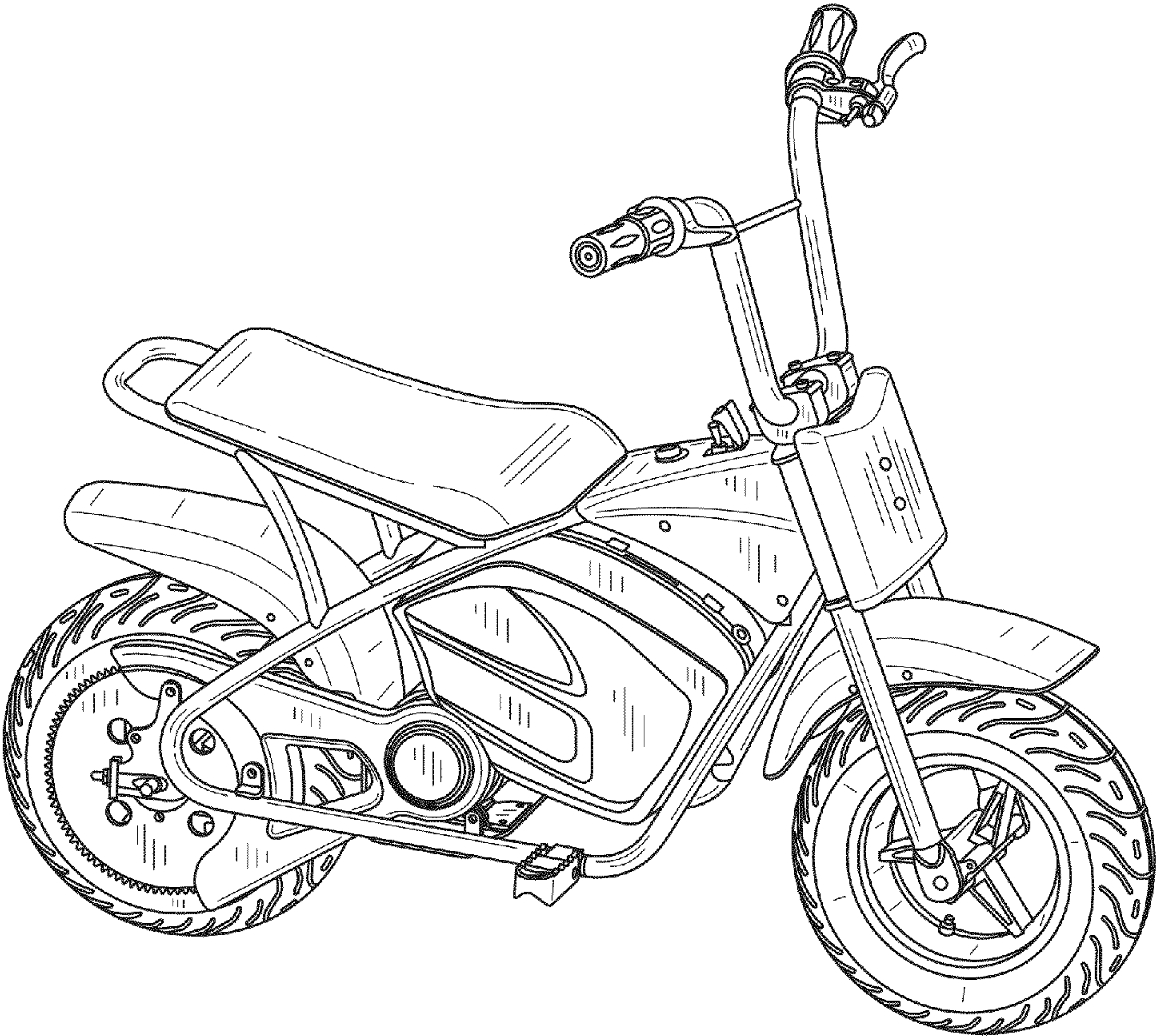


FIG.1

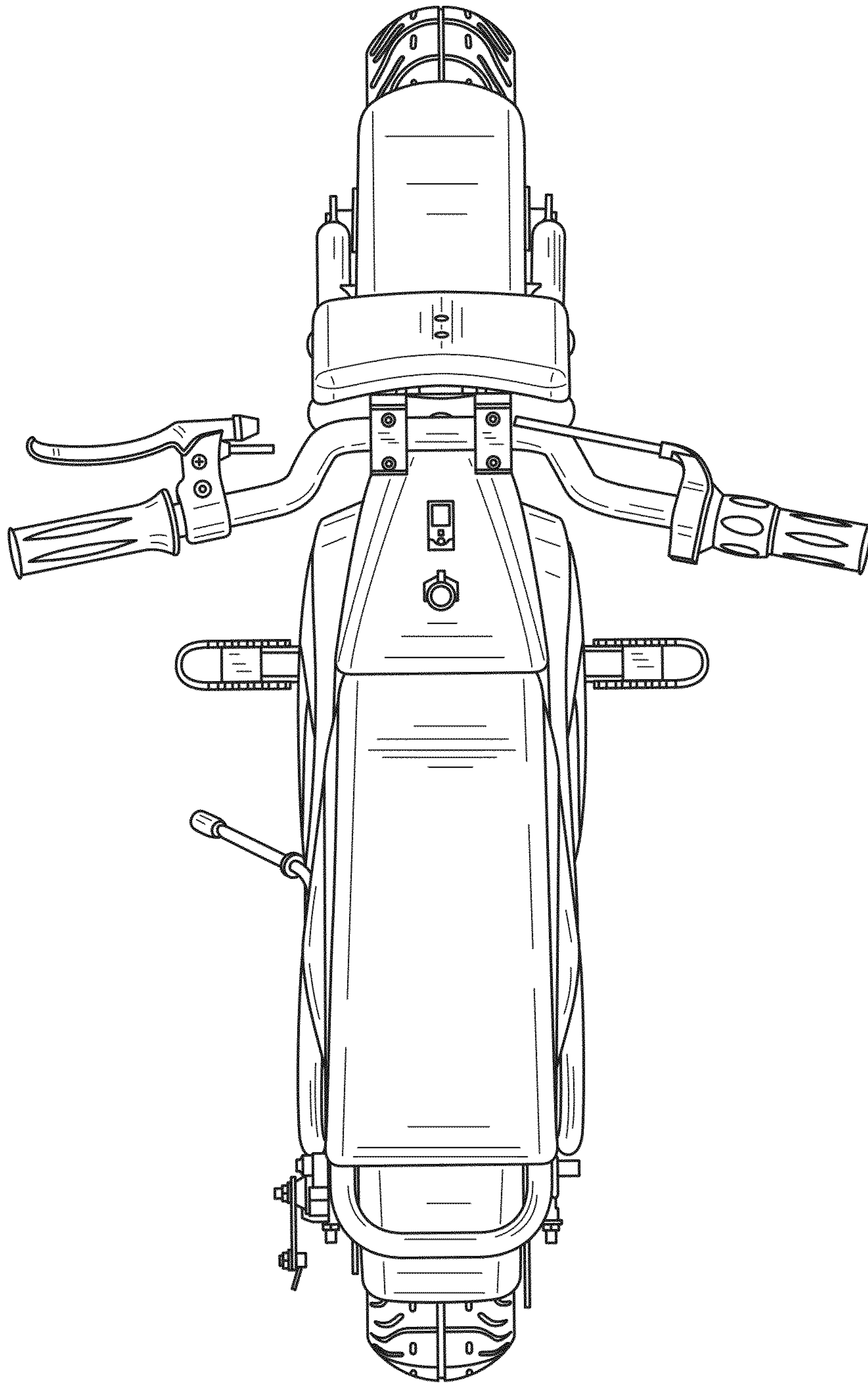


FIG.2

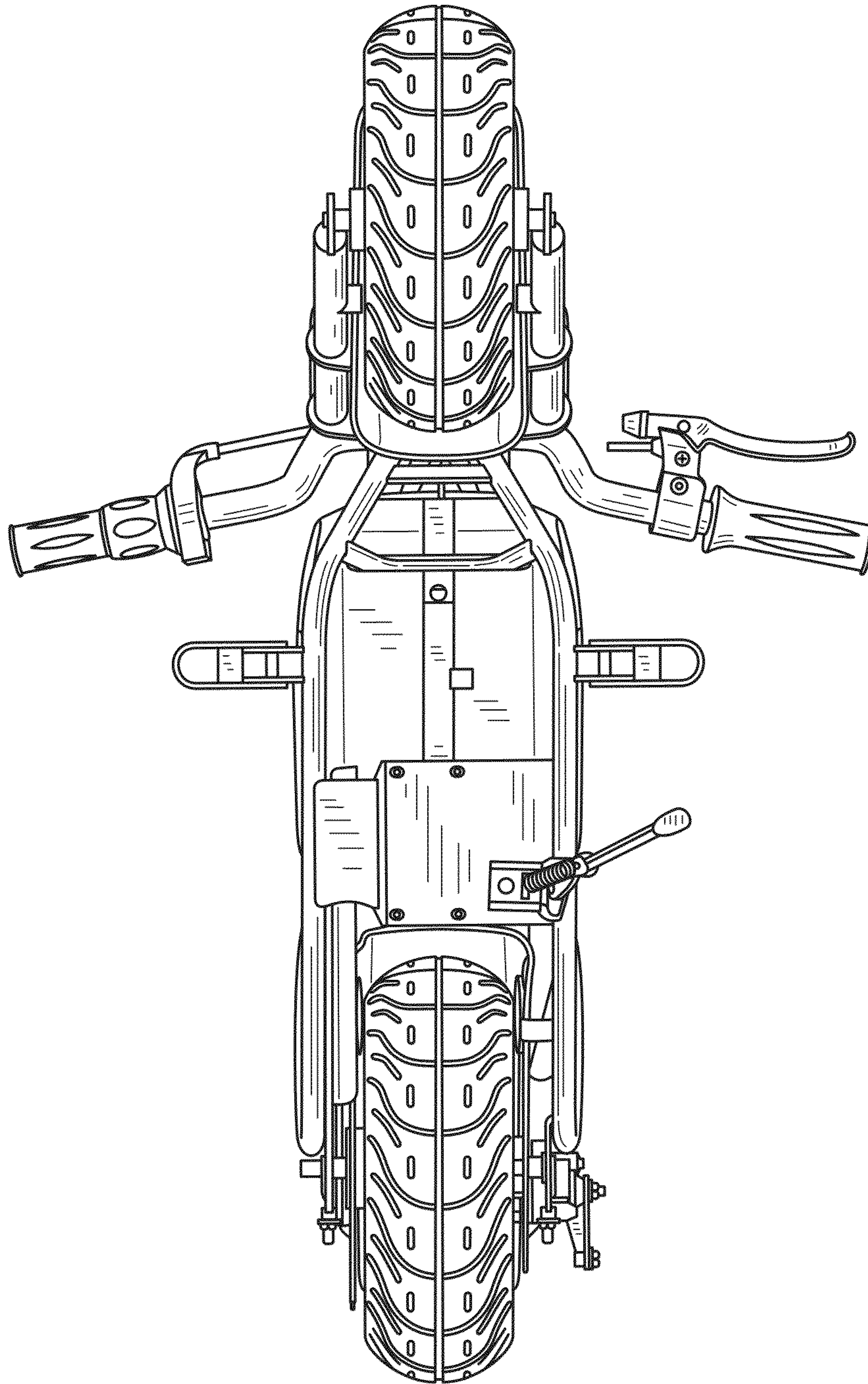


FIG.3

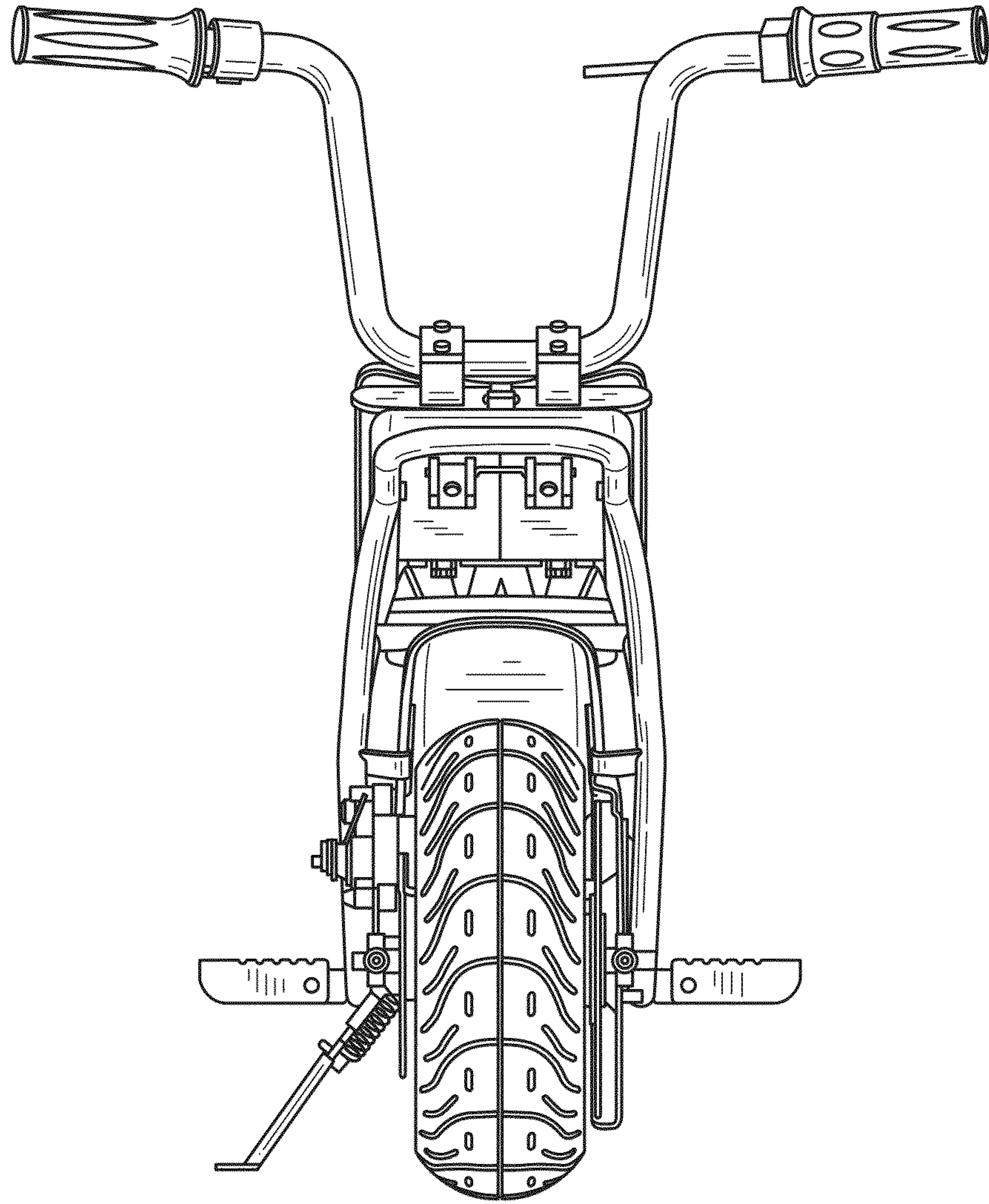


FIG.4

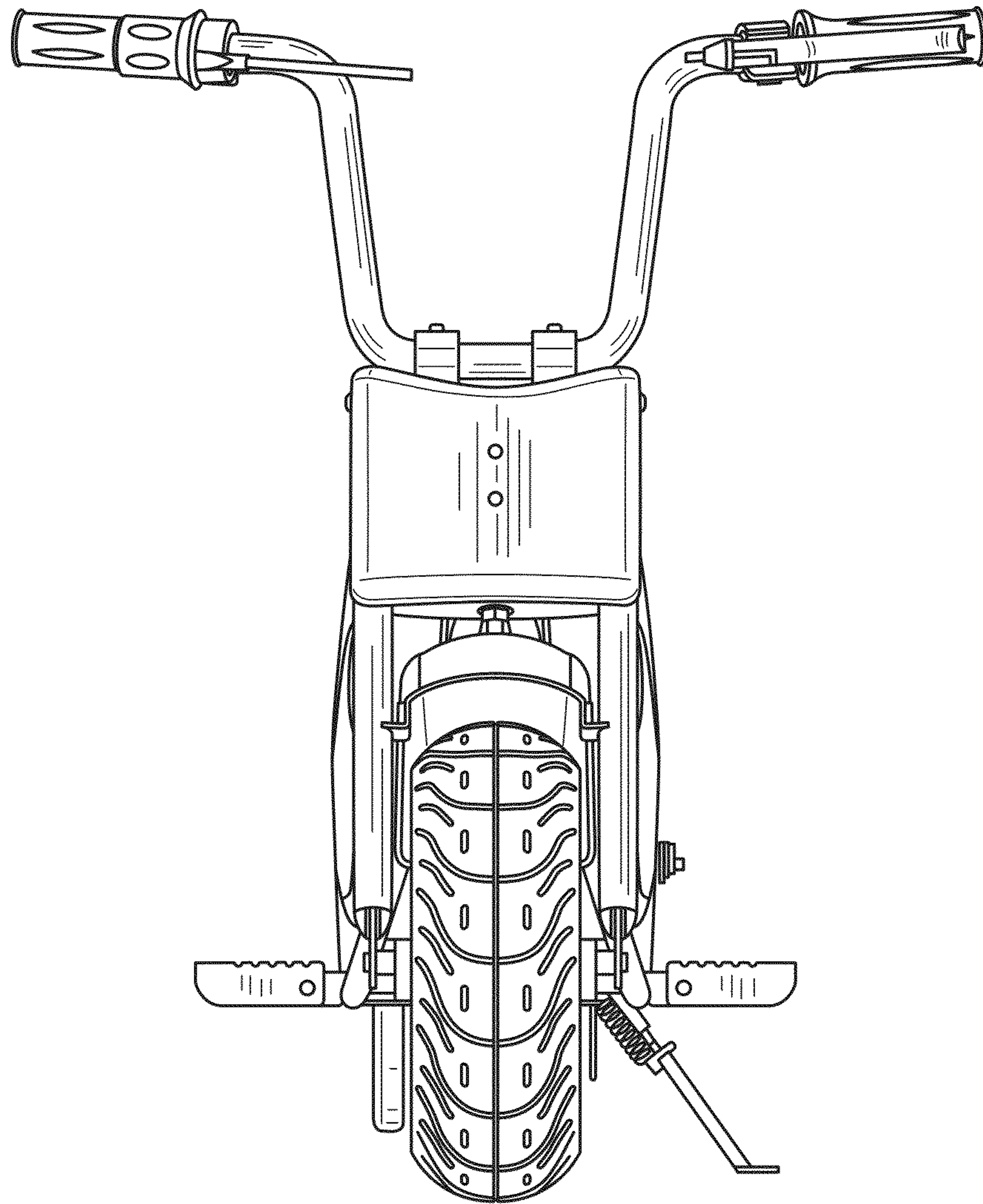


FIG.5

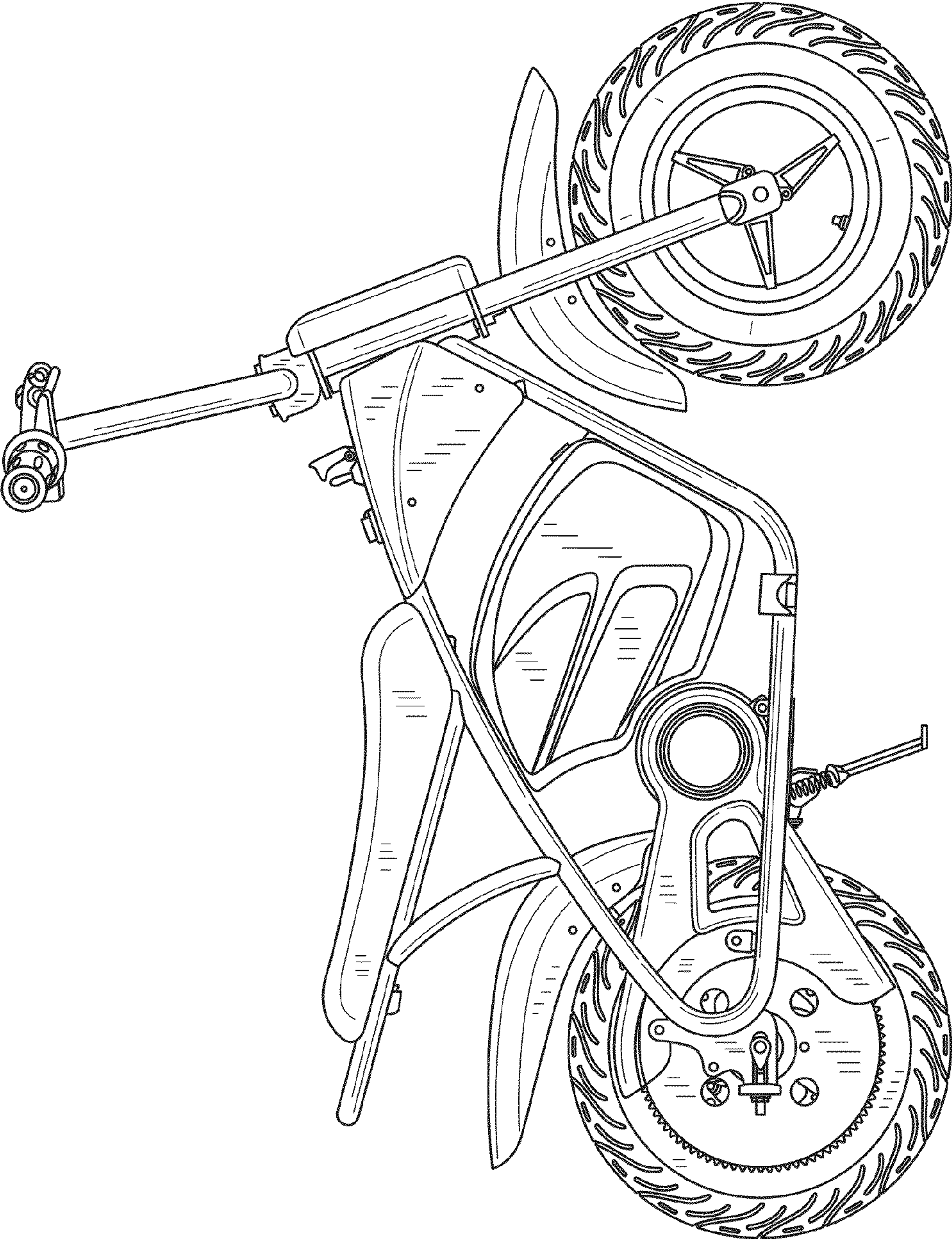


FIG.6

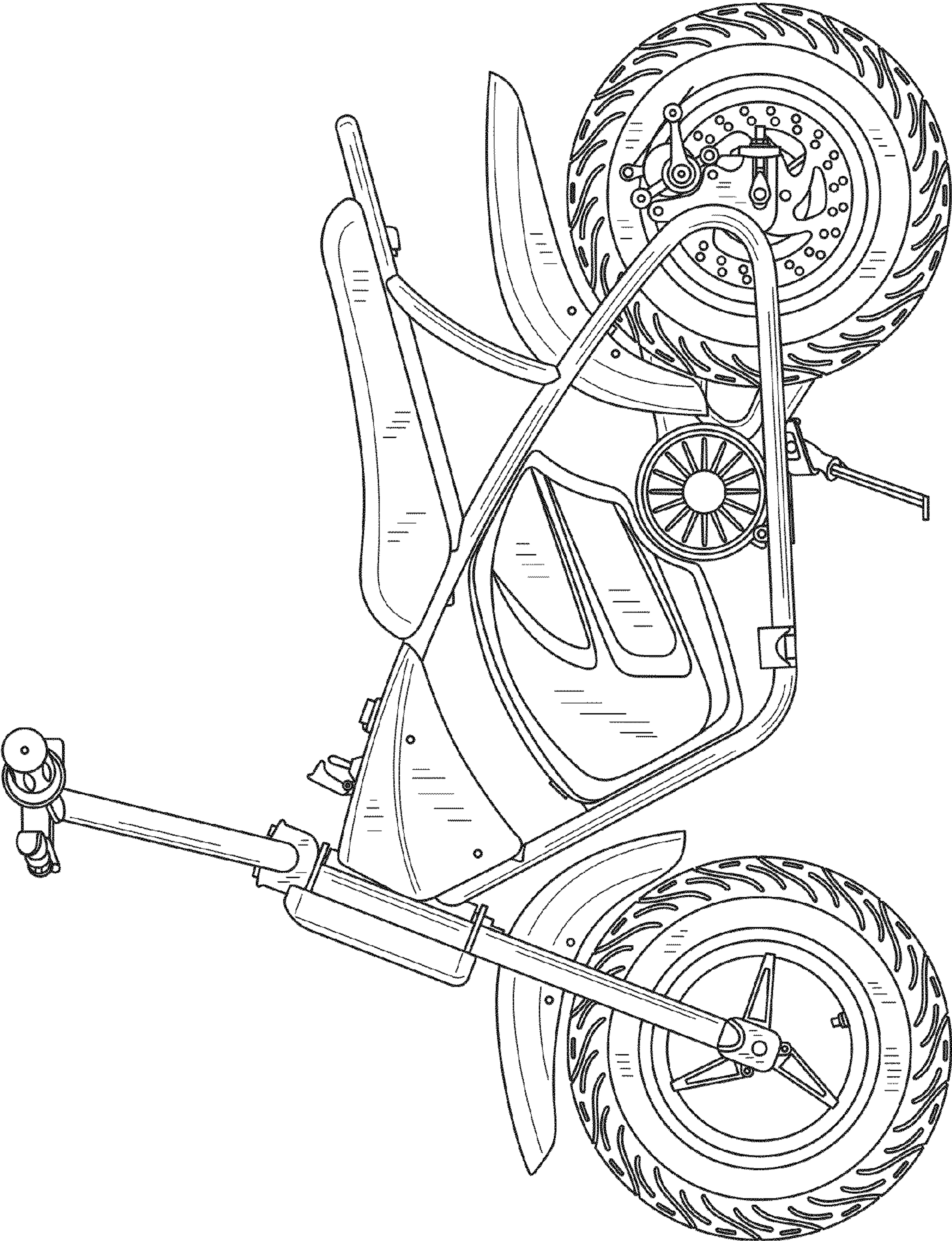


FIG.7