



US00D689795S

(12) **United States Design Patent**  
**Takei et al.**

(10) **Patent No.:** **US D689,795 S**  
(45) **Date of Patent:** **\*\* Sep. 17, 2013**

(54) **AUTOMOBILE AND/OR TOY REPLICA THEREOF**

(71) Applicants: **Tatsuya Takei**, Toyota (JP); **Masanari Sakae**, Toyota (JP); **Hiroyuki Tada**, Nagoya (JP)

(72) Inventors: **Tatsuya Takei**, Toyota (JP); **Masanari Sakae**, Toyota (JP); **Hiroyuki Tada**, Nagoya (JP)

(73) Assignee: **Toyota Jidosha Kabushiki Kaisha**, Toyota-shi, Aichi-ken (JP)

(\*\*) Term: **14 Years**

(21) Appl. No.: **29/443,858**

(22) Filed: **Jan. 23, 2013**

**Related U.S. Application Data**

(62) Division of application No. 29/402,145, filed on Sep. 21, 2011, now Pat. No. Des. 680,906.

(51) **LOC (9) Cl.** ..... **12-08**

(52) **U.S. Cl.**  
USPC ..... **D12/91**

(58) **Field of Classification Search**  
USPC ..... D12/86, 90-92; D21/424, 433, 434;  
296/181.1, 181.5  
See application file for complete search history.

(56) **References Cited**

**U.S. PATENT DOCUMENTS**

D505,359 S 5/2005 Suzuki et al.  
D512,000 S 11/2005 Suzuki et al.  
D626,040 S 10/2010 Sakae et al.  
D626,886 S 11/2010 Sakae et al.

D633,823 S \* 3/2011 Matei et al. .... D12/91  
D642,093 S 7/2011 Kubo et al.  
D655,648 S \* 3/2012 Imaiida et al. .... D12/91  
D657,715 S \* 4/2012 Hakamata et al. .... D12/91  
D680,906 S \* 4/2013 Sugimoto et al. .... D12/91

**OTHER PUBLICATIONS**

Brochure of LX570, Toyota, model Lexus LX570, Nov. 2009.  
Brochure of RX450h, Toyota, model Lexus RX450h, Aug. 2008.  
Website: [http://www.netcarshow.com/audi/2012/-a6/800x600/wallpaper\\_Oa.htm](http://www.netcarshow.com/audi/2012/-a6/800x600/wallpaper_Oa.htm), Audi, model Audi A6, (date unspecified).  
Website: [http://www.netcarshow.com/bmw/2010-x6\\_m/800x600/wallpaper\\_09.htm](http://www.netcarshow.com/bmw/2010-x6_m/800x600/wallpaper_09.htm), BMW, model MMW X6M, Feb. 2011.  
Website: [http://www.netcarshow.com/lexus/2011-ct\\_200h/800x600/wallpaper\\_23.htm](http://www.netcarshow.com/lexus/2011-ct_200h/800x600/wallpaper_23.htm), Lexus, model Lexus CT200h (date unspecified).

\* cited by examiner

*Primary Examiner* — Melody Brown

(74) *Attorney, Agent, or Firm* — Finnegan, Henderson, Farabow, Garrett & Dunner, LLP

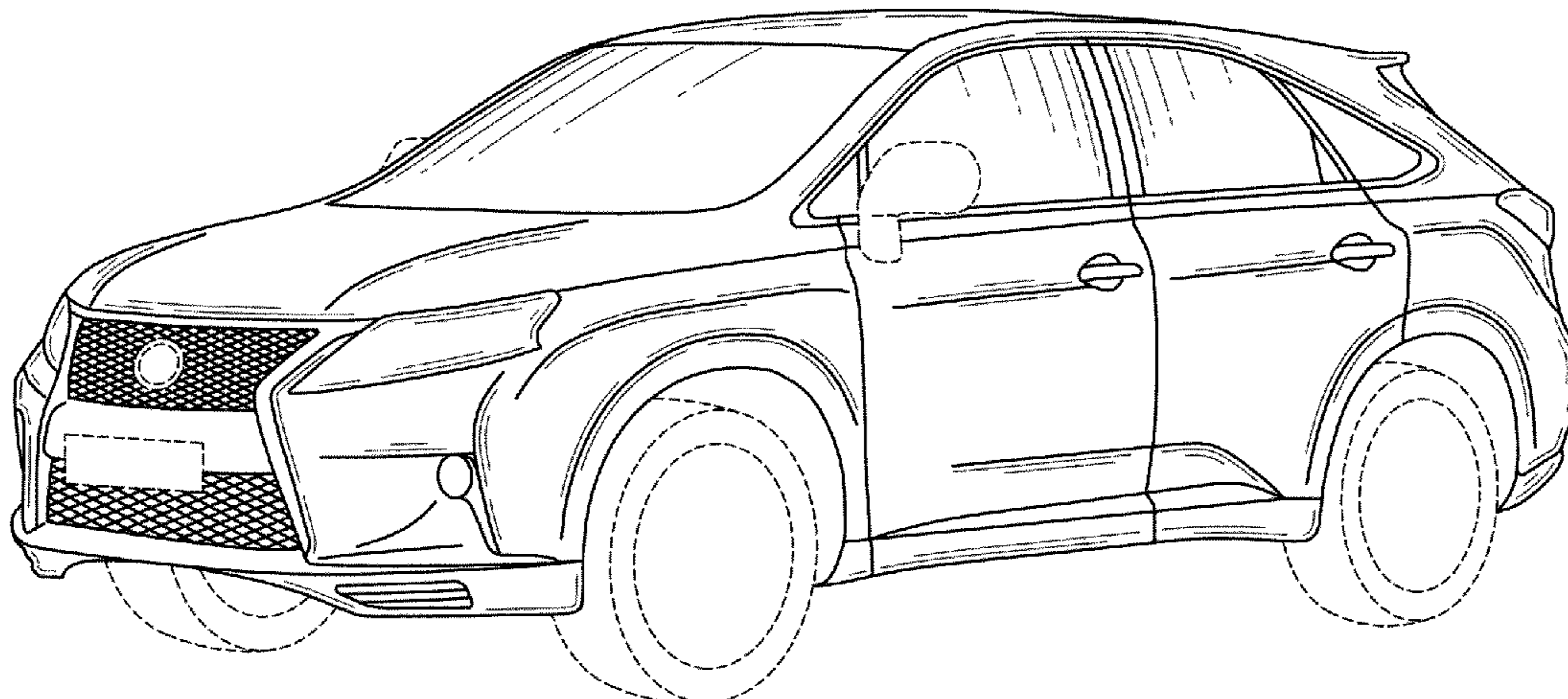
(57) **CLAIM**

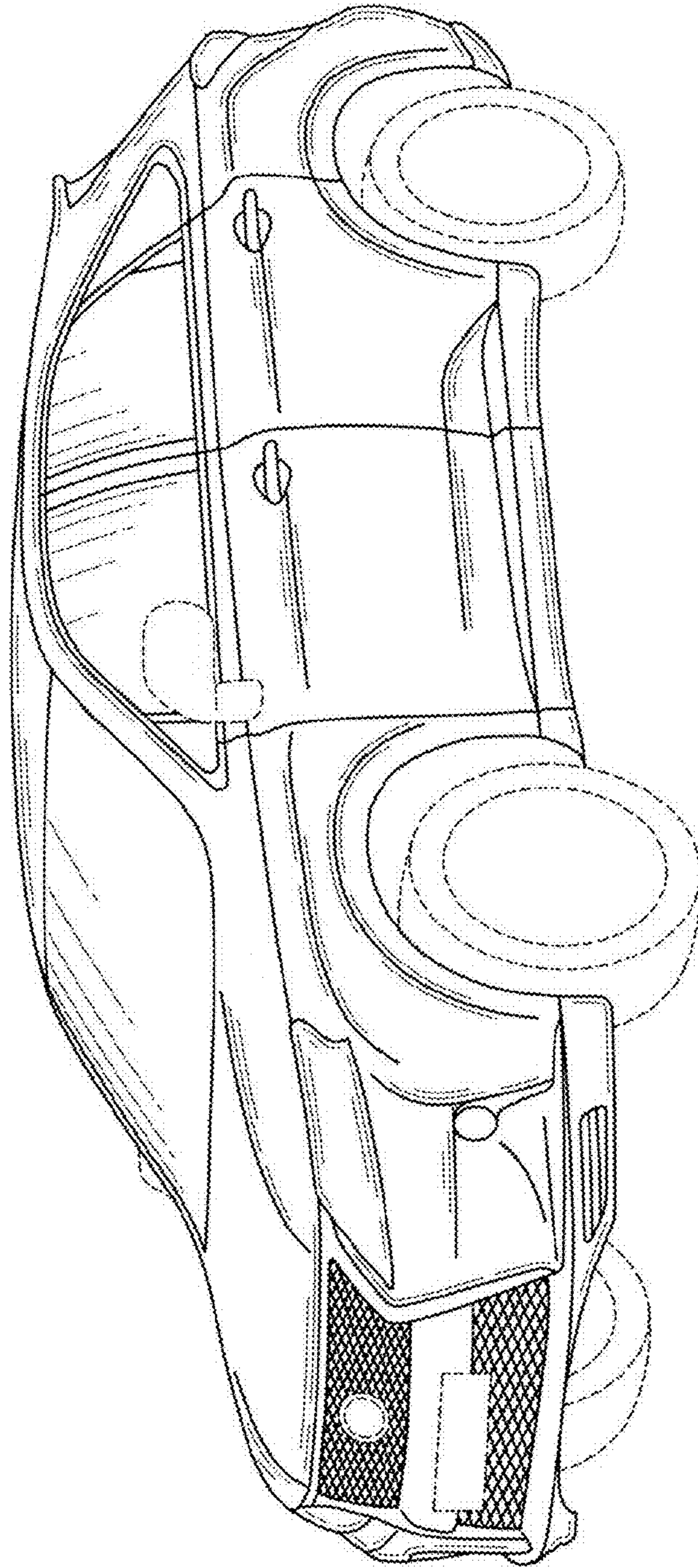
The ornamental design for an automobile and/or toy replica thereof, as shown and described.

**DESCRIPTION**

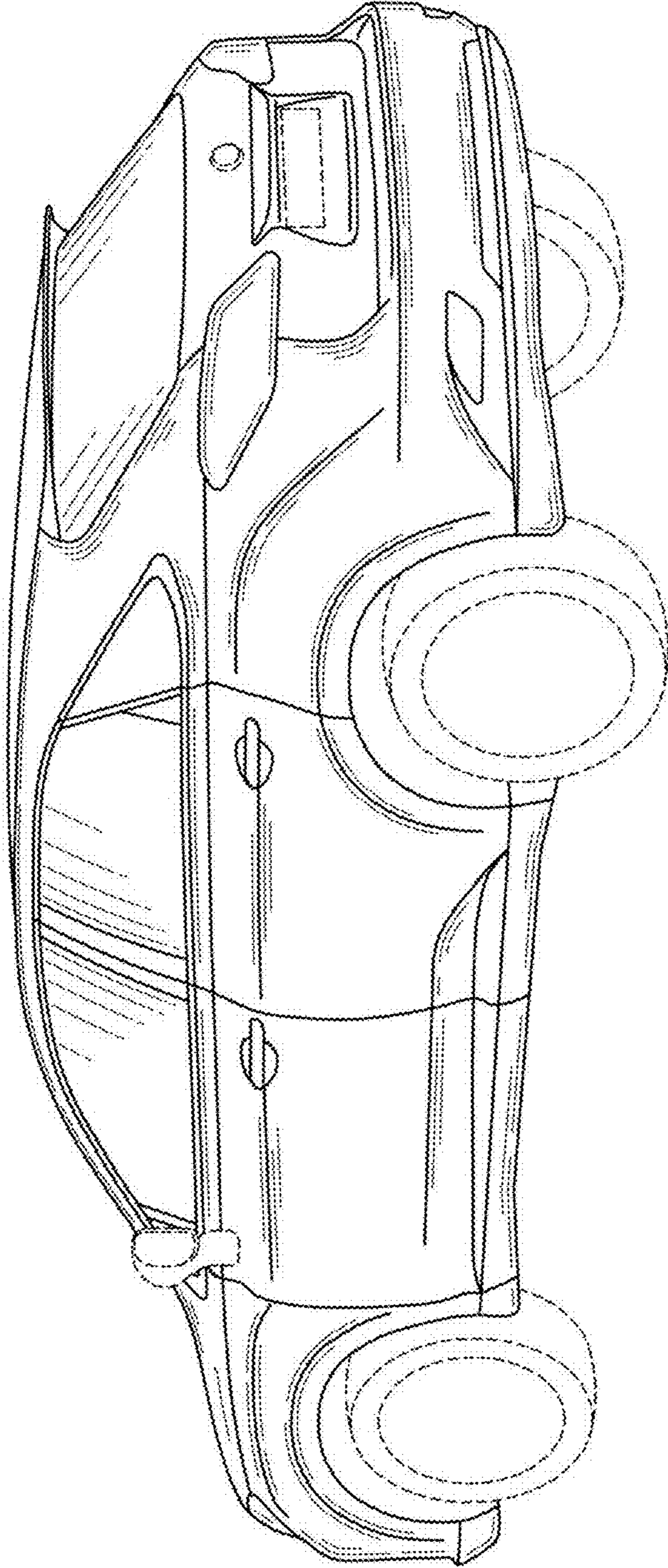
FIG. 1 is a front perspective view of an automobile and/or toy replica thereof showing our new design;  
FIG. 2 is a rear perspective view thereof;  
FIG. 3 is a left side view thereof, the right side being a mirror image thereof;  
FIG. 4 is a front view thereof;  
FIG. 5 is a rear view thereof; and,  
FIG. 6 is a top plan view thereof.  
The elements depicted in broken lines are environment, and form no part of the claimed design.

**1 Claim, 6 Drawing Sheets**

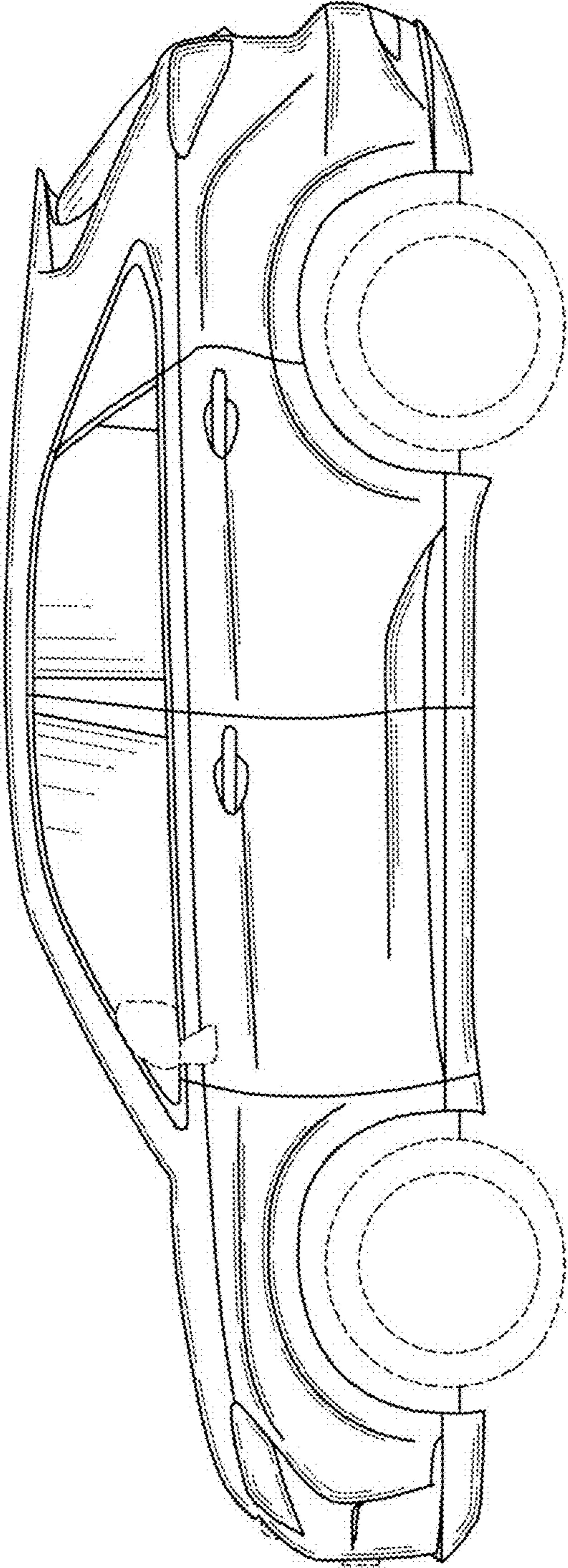




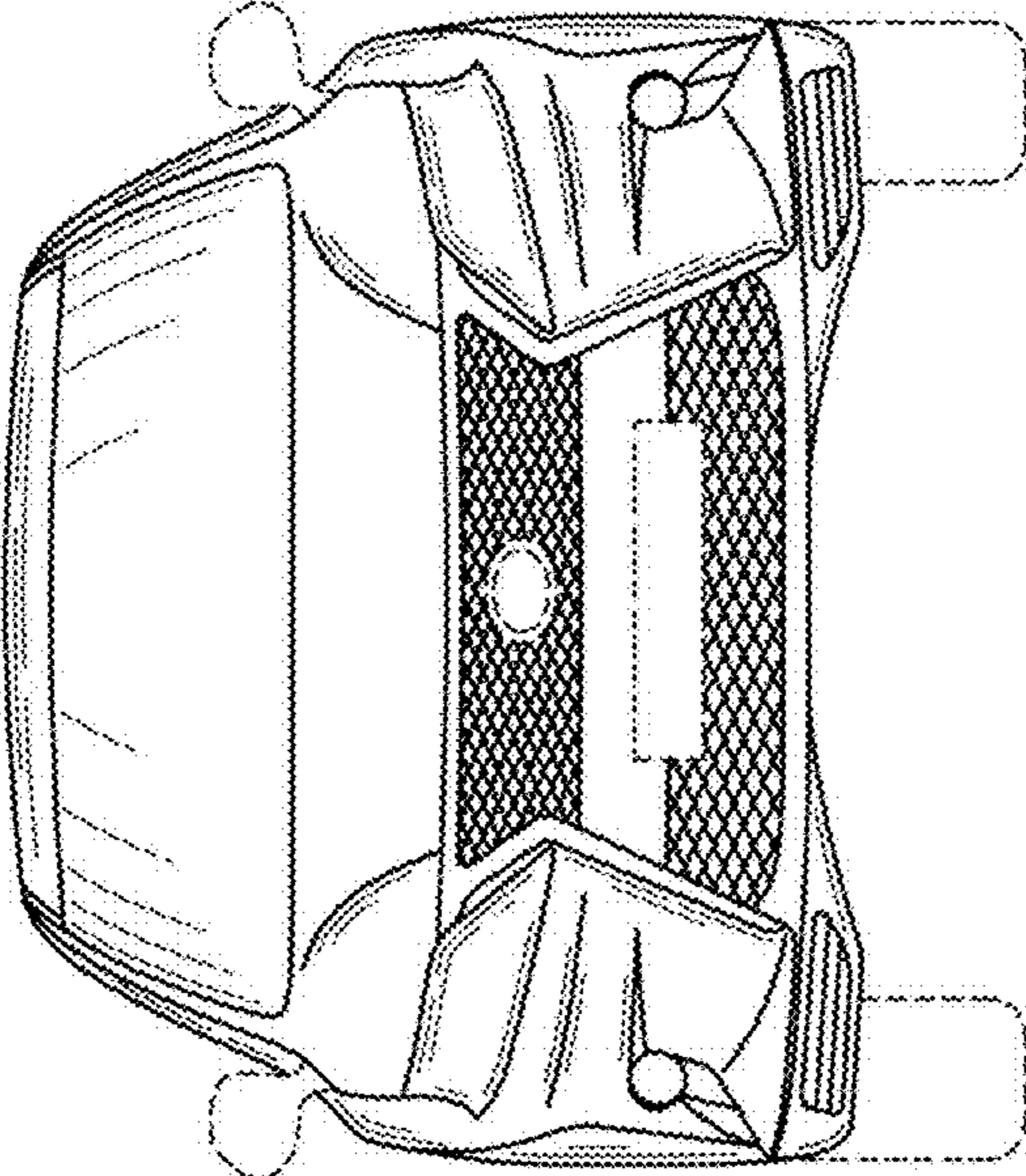
**FIG. 1**



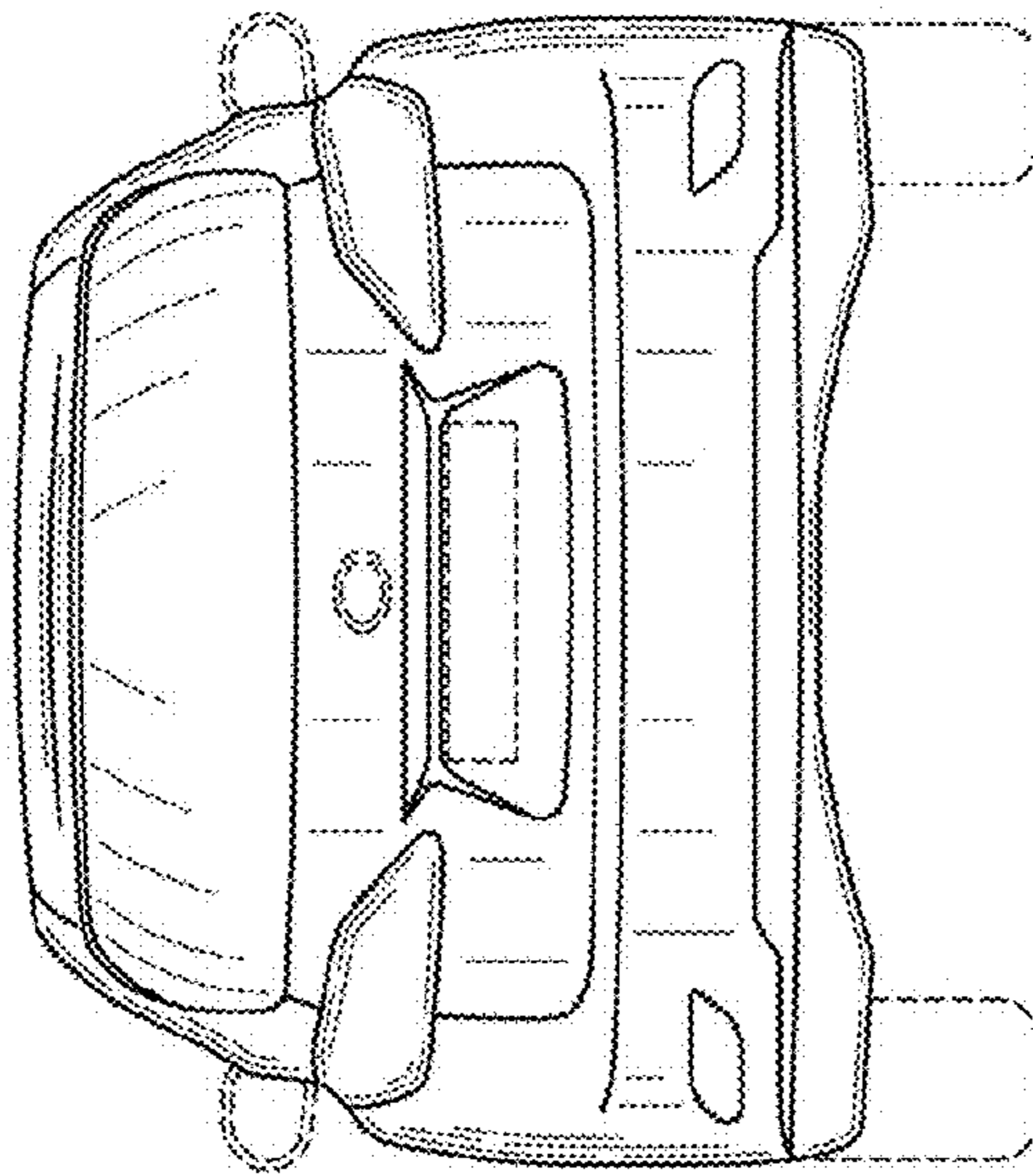
**FIG. 2**



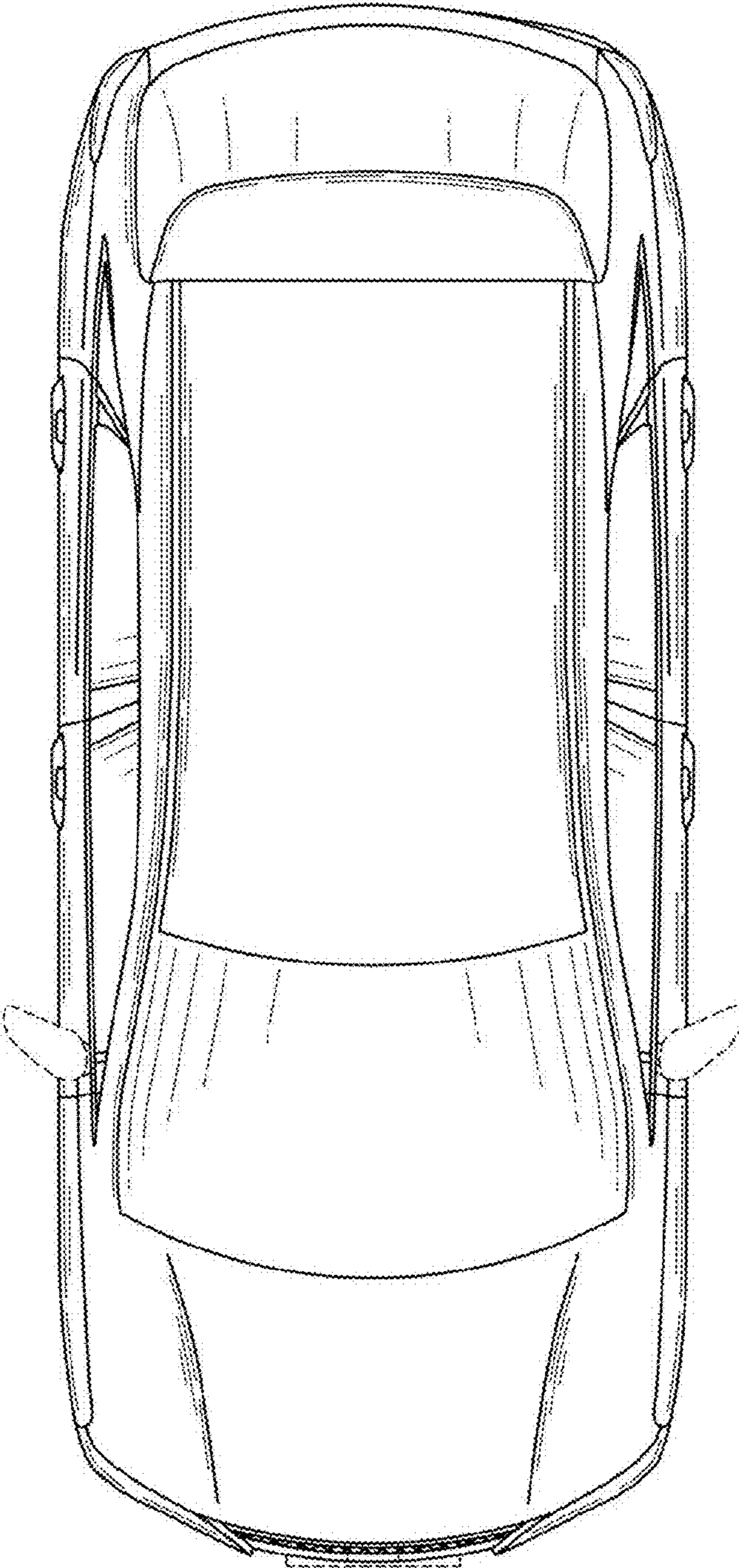
**FIG. 3**



**FIG. 4**



**FIG. 5**



**FIG. 6**