



US00D689794S

(12) **United States Design Patent**
Bracy et al.

(10) **Patent No.:** **US D689,794 S**

(45) **Date of Patent:** **** Sep. 17, 2013**

(54) **THREE WHEELED VEHICLE**

(75) Inventors: **Garth H. Bracy**, Long Lake, MN (US);
Gurminder Singh Bhandal, Pasadena,
CA (US); **Gregory C. Brew**,
Minnetonka, MN (US)

(73) Assignee: **Polaris Industries Inc.**, Medina, MN
(US)

(**) Term: **14 Years**

(21) Appl. No.: **29/387,929**

(22) Filed: **Mar. 21, 2011**

(51) **LOC (9) Cl.** **12-08**

(52) **U.S. Cl.**
USPC **D12/85**

(58) **Field of Classification Search**
USPC D12/85, 86, 131, 107; D21/424,
D21/433, 434; 180/65.1, 210; 296/181.1,
296/181.5

See application file for complete search history.

(56) **References Cited**

U.S. PATENT DOCUMENTS

D54,695	S	*	3/1920	Smith	D12/85
D55,440	S	*	6/1920	Smith	D12/85
1,989,995	A	*	2/1935	Martin	180/210
D94,847	S	*	3/1935	Martin	D12/85
D190,225	S	*	5/1961	Garcia	D12/85
3,610,358	A		10/1971	Korff		
3,826,326	A		7/1974	Blair		
4,020,914	A		5/1977	Trautwein		
D248,461	S	*	7/1978	Edmonson	D12/85
4,353,567	A		10/1982	Weldy		
4,373,600	A		2/1983	Buschbom et al.		
4,448,278	A		5/1984	Badsey		

4,453,763	A		6/1984	Richards		
D274,995	S	*	8/1984	Richards et al.	D12/85
D283,113	S	*	3/1986	Stollery	D12/85

(Continued)

FOREIGN PATENT DOCUMENTS

CN	101175655	5/2008
EP	1852342	11/2007

(Continued)

OTHER PUBLICATIONS

Photo of the Campagna V13R vehicle; available at www.campagna.com.

(Continued)

Primary Examiner — Philip S Hyder

Assistant Examiner — John T Applewhite

(74) *Attorney, Agent, or Firm* — Faegre Baker Daniels LLP

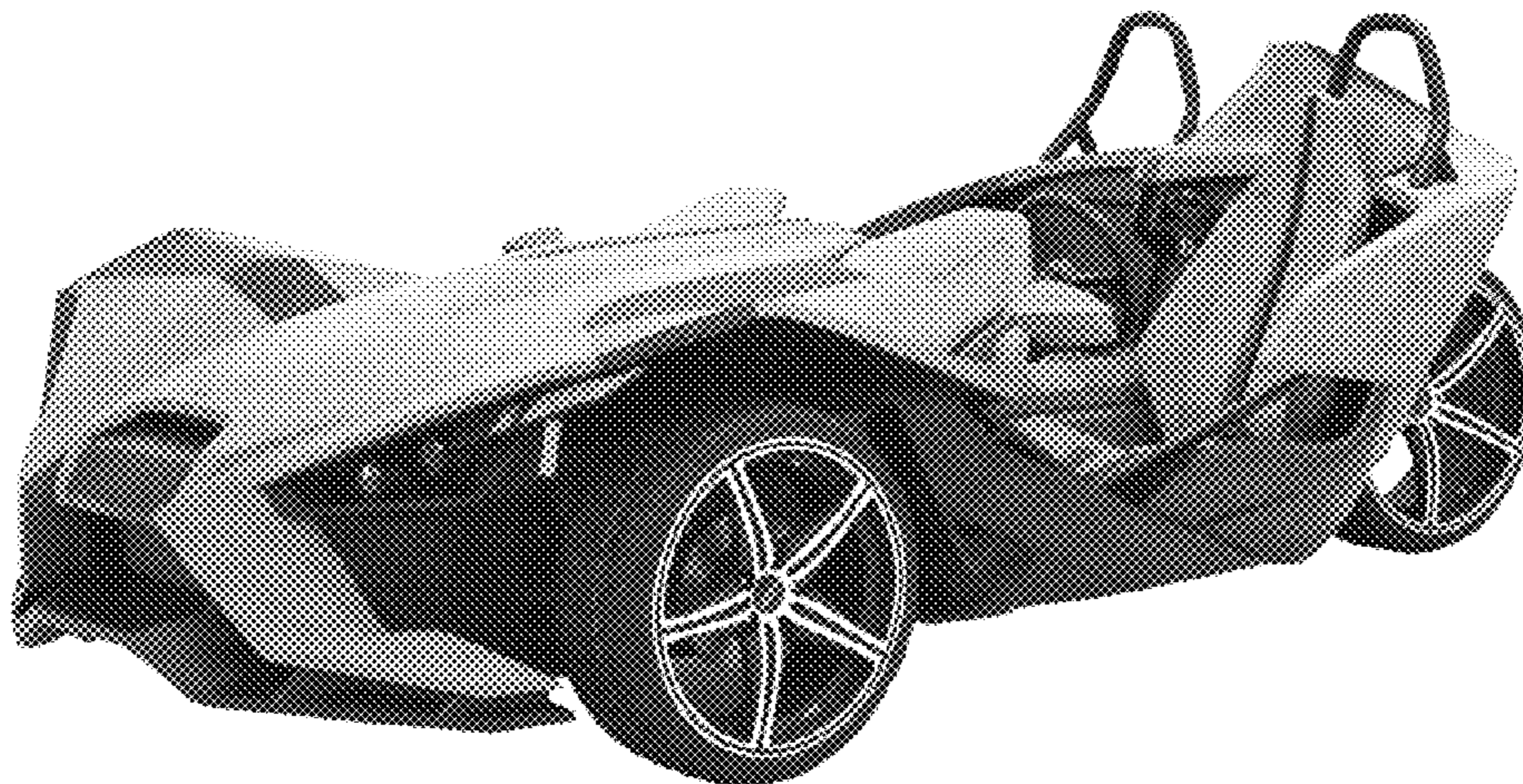
(57) **CLAIM**

We claim an ornamental design for a three wheeled vehicle, as shown and described.

DESCRIPTION

FIG. 1 is a left front perspective view of the vehicle;
FIG. 2 is a right front perspective view of the vehicle;
FIG. 3 is a front of the vehicle;
FIG. 4 is a rear view of the vehicle;
FIG. 5 is a left side view of the vehicle;
FIG. 6 is a right side view of the vehicle;
FIG. 7 is a left rear perspective view of the vehicle;
FIG. 8 is a right rear perspective view of the vehicle;
FIG. 9 is an enlarged view of a left front wheel well of the vehicle;
FIG. 10 is an enlarged view of a front fender and lights of the vehicle; and,
FIG. 11 is an enlarged view of a rear body portion of the vehicle.

1 Claim, 11 Drawing Sheets



(56)

References Cited

U.S. PATENT DOCUMENTS

4,573,546 A 3/1986 Irimajiri et al.
 4,625,825 A 12/1986 Ethier
 4,630,702 A 12/1986 Irimajiri et al.
 4,662,468 A 5/1987 Ethier
 4,703,824 A 11/1987 Irimajiri
 4,787,470 A 11/1988 Badsey
 4,852,009 A 7/1989 Jonner et al.
 4,860,848 A 8/1989 Barth et al.
 4,919,225 A 4/1990 Sturges
 4,985,836 A 1/1991 Hashiguchi et al.
 5,116,069 A 5/1992 Miller
 5,124,921 A 6/1992 Jonner et al.
 5,172,318 A 12/1992 Meissner et al.
 5,248,011 A 9/1993 Richards
 5,255,194 A 10/1993 Schaufelberger et al.
 5,258,914 A 11/1993 Schmitt
 5,267,627 A 12/1993 Frank et al.
 5,275,475 A 1/1994 Hartmann et al.
 5,299,131 A 3/1994 Haas et al.
 5,311,431 A 5/1994 Cao et al.
 5,312,171 A 5/1994 Schafer
 D356,285 S 3/1995 Yang
 5,402,342 A 3/1995 Ehret et al.
 5,431,243 A 7/1995 Richards
 5,433,285 A 7/1995 Richards
 5,782,221 A 7/1998 Woldt
 5,806,622 A 9/1998 Murphy
 D407,348 S * 3/1999 Riley D12/85
 5,927,424 A 7/1999 Van Den Brink et al.
 6,052,641 A 4/2000 Wuerth et al.
 D424,979 S * 5/2000 Hanagan et al. D12/85
 D427,548 S * 7/2000 Sacco et al. D12/85
 D449,018 S * 10/2001 Musser D12/85
 6,349,247 B1 2/2002 Schramm et al.
 6,374,171 B2 4/2002 Weiberle et al.
 6,435,626 B1 8/2002 Kostadina
 6,456,924 B1 9/2002 Schmitt et al.
 6,464,030 B1 10/2002 Hanagan et al.
 6,502,014 B1 12/2002 Herrmann et al.
 6,502,029 B2 12/2002 O'Dea
 D469,386 S * 1/2003 Hanagan et al. D12/85
 6,529,803 B2 3/2003 Meyers et al.
 6,591,179 B1 7/2003 Check et al.
 6,600,974 B1 7/2003 Traechtler
 6,604,035 B1 8/2003 Wetzal et al.
 6,604,036 B2 8/2003 Pallot
 6,641,154 B1 11/2003 Vey
 6,658,343 B1 12/2003 Koch et al.
 D485,788 S 1/2004 Guay et al.
 6,675,086 B2 1/2004 Hellmann et al.
 6,681,170 B2 1/2004 Winner et al.
 6,756,890 B1 6/2004 Schramm et al.
 6,810,317 B2 10/2004 Sauter et al.
 6,948,581 B2 9/2005 Fecteau et al.
 6,968,261 B2 11/2005 Ghoneim et al.
 7,090,234 B2 8/2006 Takayanagi et al.
 7,130,735 B2 10/2006 Brown et al.
 7,142,958 B2 11/2006 Haas
 7,143,853 B1 12/2006 Mercier et al.
 7,149,614 B2 12/2006 Traechtler et al.
 7,185,900 B2 3/2007 Bogatay, Sr. et al.
 7,237,637 B2 7/2007 Fecteau et al.
 7,245,995 B2 7/2007 Kueperkoch et al.
 7,295,906 B2 11/2007 Asano
 7,305,292 B2 12/2007 Lohner et al.
 7,330,785 B2 2/2008 Odenthal et al.
 7,364,196 B2 4/2008 Akutagawa et al.
 7,383,917 B2 6/2008 Asano
 7,401,794 B2 7/2008 Laurent et al.
 7,416,046 B2 8/2008 Aube et al.
 7,445,070 B1 11/2008 Pickering
 7,464,781 B2 12/2008 Guay et al.
 D584,188 S * 1/2009 Jenkins et al. D12/85
 7,497,525 B2 3/2009 Mercier et al.
 D589,844 S * 4/2009 Aube et al. D12/85

7,519,464 B2 4/2009 Sakugawa
 D592,547 S * 5/2009 Riley D12/85
 D592,548 S * 5/2009 Aube et al. D12/85
 D593,908 S 6/2009 Longpre et al.
 7,543,672 B2 6/2009 Codere et al.
 7,549,494 B1 6/2009 Zichek et al.
 7,568,541 B2 8/2009 Pfeil et al.
 7,571,787 B2 8/2009 Saiki
 7,588,110 B2 9/2009 Martino
 7,591,337 B2 9/2009 Suhre et al.
 7,607,673 B1 10/2009 Vey
 7,610,979 B1 11/2009 Dykowski et al.
 7,620,485 B2 11/2009 Gronau et al.
 7,648,148 B1 1/2010 Mercier
 7,698,034 B2 4/2010 Ghoneim
 7,770,683 B2 8/2010 Keogh et al.
 7,806,215 B2 10/2010 Codere et al.
 7,835,837 B2 11/2010 Suzumura et al.
 7,860,623 B2 12/2010 Bauer et al.
 7,877,177 B2 1/2011 Kueperkoch et al.
 D633,821 S * 3/2011 Hill et al. D12/85
 7,909,732 B2 3/2011 Sigmund
 D641,287 S * 7/2011 Halajko et al. D12/85
 2005/0039967 A1 2/2005 Aube et al.
 2005/0247507 A1 11/2005 Fecteau et al.
 2006/0180372 A1 8/2006 Mercier et al.
 2006/0254842 A1 11/2006 Dagenais et al.
 2006/0273655 A1 12/2006 Mercier et al.
 2007/0050112 A1 3/2007 Kroehnert et al.
 2007/0251745 A1 11/2007 Codere et al.
 2007/0256882 A1 11/2007 Bedard et al.
 2008/0023242 A1 1/2008 Lachapelle et al.
 2008/0109135 A1 5/2008 Lemmen et al.
 2008/0147273 A1 6/2008 Bauer et al.
 2008/0183353 A1 7/2008 Post et al.
 2009/0084623 A1 4/2009 Dagenais
 2009/0107753 A1 4/2009 Doperalski
 2009/0152940 A1 6/2009 Mercier et al.
 2009/0224497 A1 9/2009 Seiter
 2009/0240399 A1 9/2009 Dagenais et al.
 2009/0321169 A1 12/2009 Bedard et al.
 2010/0012411 A1 1/2010 Fiacchino et al.
 2010/0012414 A1 1/2010 Keogh et al.
 2010/0013180 A1 1/2010 Allman, Jr. et al.
 2010/0013420 A1 1/2010 Fischer et al.
 2010/0071983 A1 3/2010 Holland
 2010/0263956 A1 10/2010 Bedard et al.
 2011/0006498 A1 1/2011 Mercier
 2011/0035111 A1 2/2011 Dagenais et al.
 2011/0042157 A1 2/2011 Rioux et al.
 2011/0042158 A1 2/2011 Portelance
 2011/0049205 A1 3/2011 Laperle et al.

FOREIGN PATENT DOCUMENTS

EP 1903257 3/2008
 EP 1981743 10/2008
 EP 2225136 9/2010
 WO WO 95/34460 12/1995
 WO WO 01/36253 5/2001
 WO WO 03/071162 8/2003
 WO WO 2007/130043 11/2007
 WO WO 2009/042276 4/2009
 WO WO 2009/073636 6/2009
 WO WO 2009/096998 8/2009
 WO WO 2009/114154 9/2009

OTHER PUBLICATIONS

Photo of the Campagna T-Rex 14RR vehicle; available at www.campagna.com.
 Photo of the BRP Can-Am Spyder vehicle; available at www.Can-Am.com.
 Photo of the Campagna T-Rex 14R vehicle; available at www.campagna.com.
 Photos of the T-Rex 14R vehicle from Campagna. Undated.
 Photos of the BRP Can-Am Spyder vehicle. Undated.
 Hanlon, Mike, VW's 3-wheel sportcar, Gizmag, Jan. 5, 2006, 4 pages, available at <http://www.gizmag.com/go/4990/>.

US D689,794 S

Page 3

Hanlon, Mike, Peugeot's exciting new 3-wheeler—the 20CUP, Gizmag, Aug. 28, 2005, 4 pages, available at <http://www.gizmag.com/go/4494/>.

Hanlon, Mike, Mercedes-Benz F 300 Life-Jet: the three-wheeled driving machine, Gizmag, Jan. 21, 2005, 4 pages, available at <http://www.gizmag.com/go/3628/>.

Scorpion III Sting Your Senses!, 2 page, available at <http://www.grinnallcars.com/scorpion-III-sports-car.html>.

International Search Report for PCT/US2012/029926, 8 pages, European Patent Office, mailed on Aug. 16, 2012.

Written Opinion for PCT/US2012/029926, 16 pages, European Patent Office, mailed on Aug. 16, 2012.

* cited by examiner

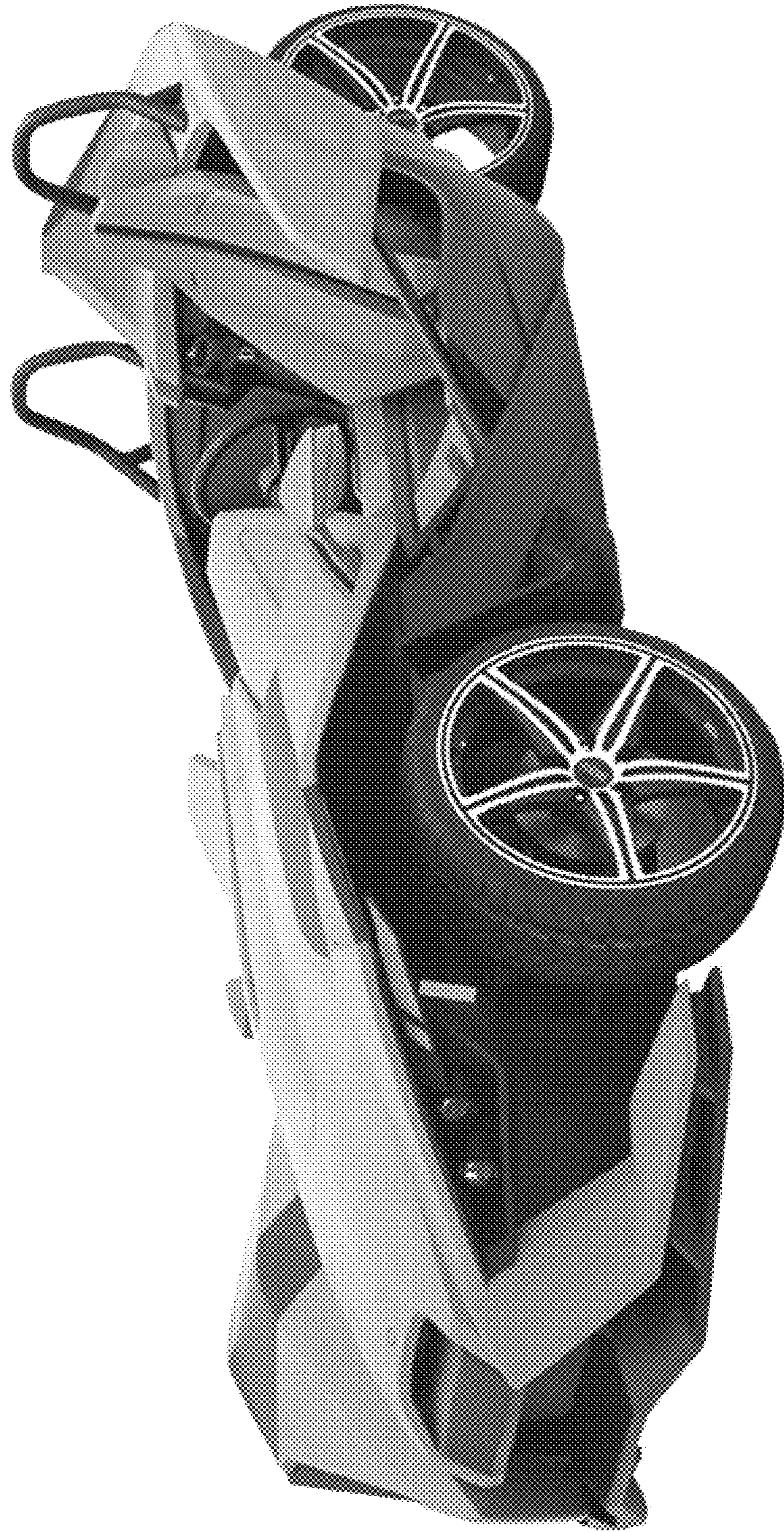


Fig. 1

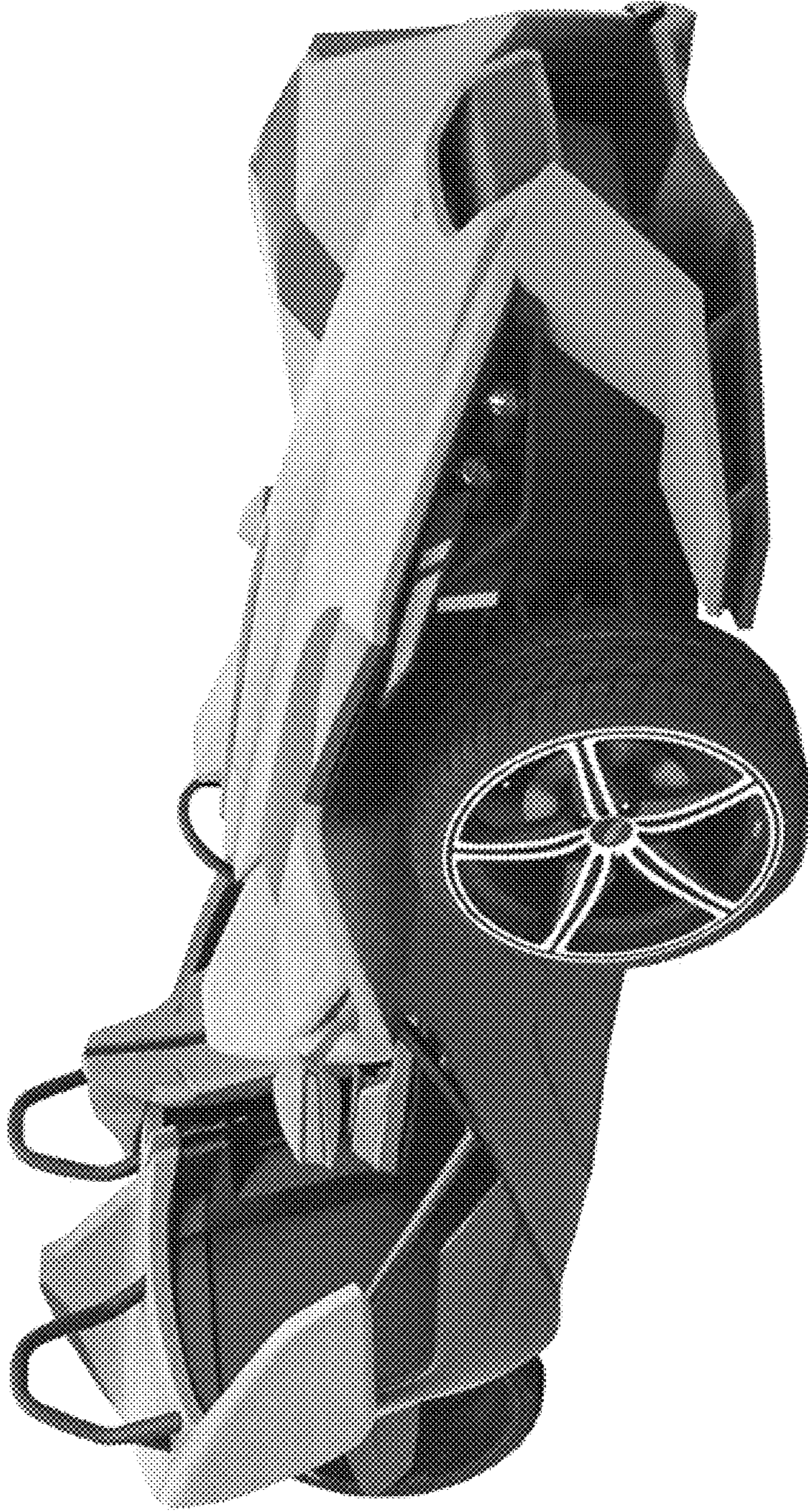


Fig. 2

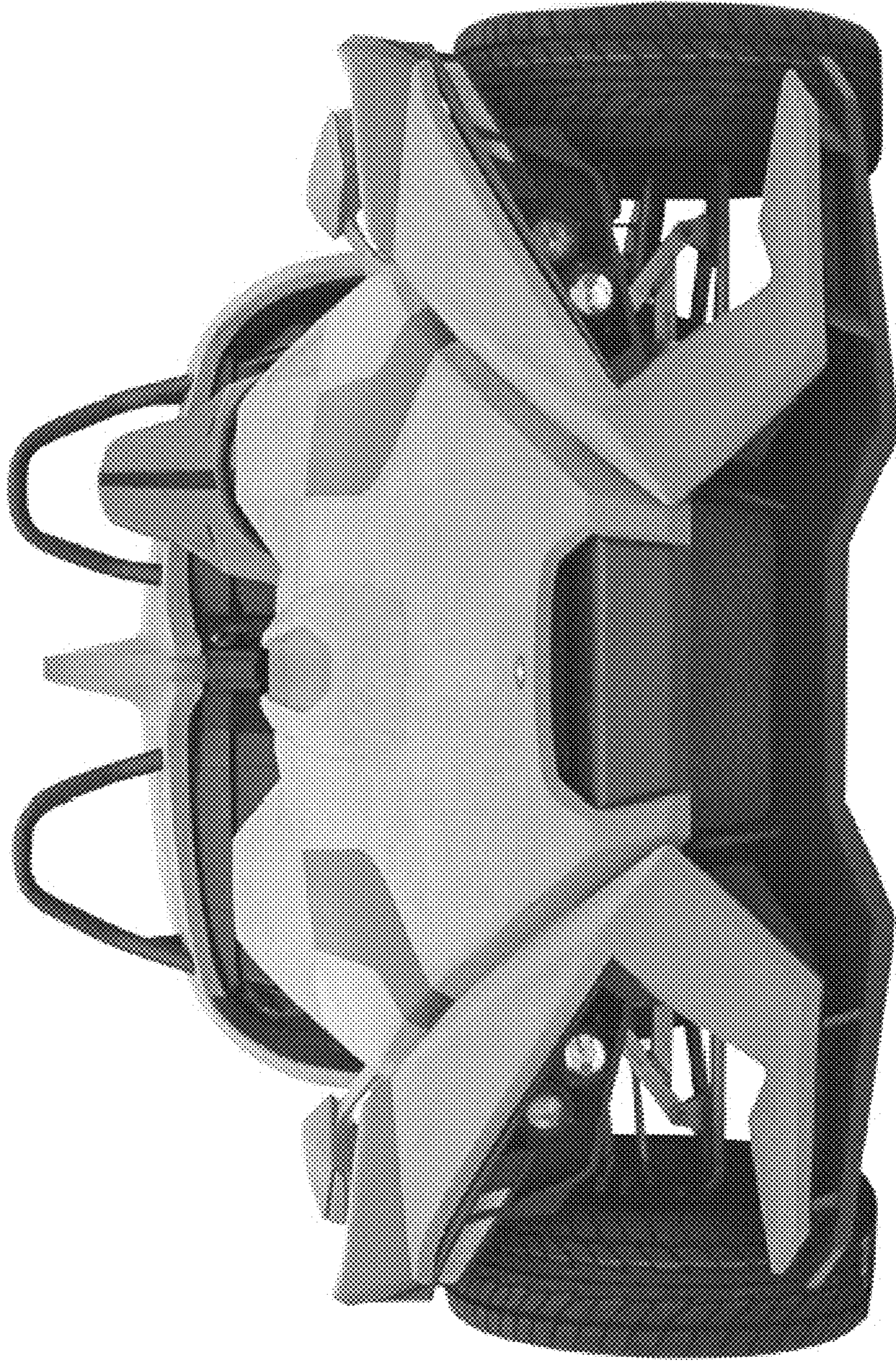


Fig. 3



Fig. 4

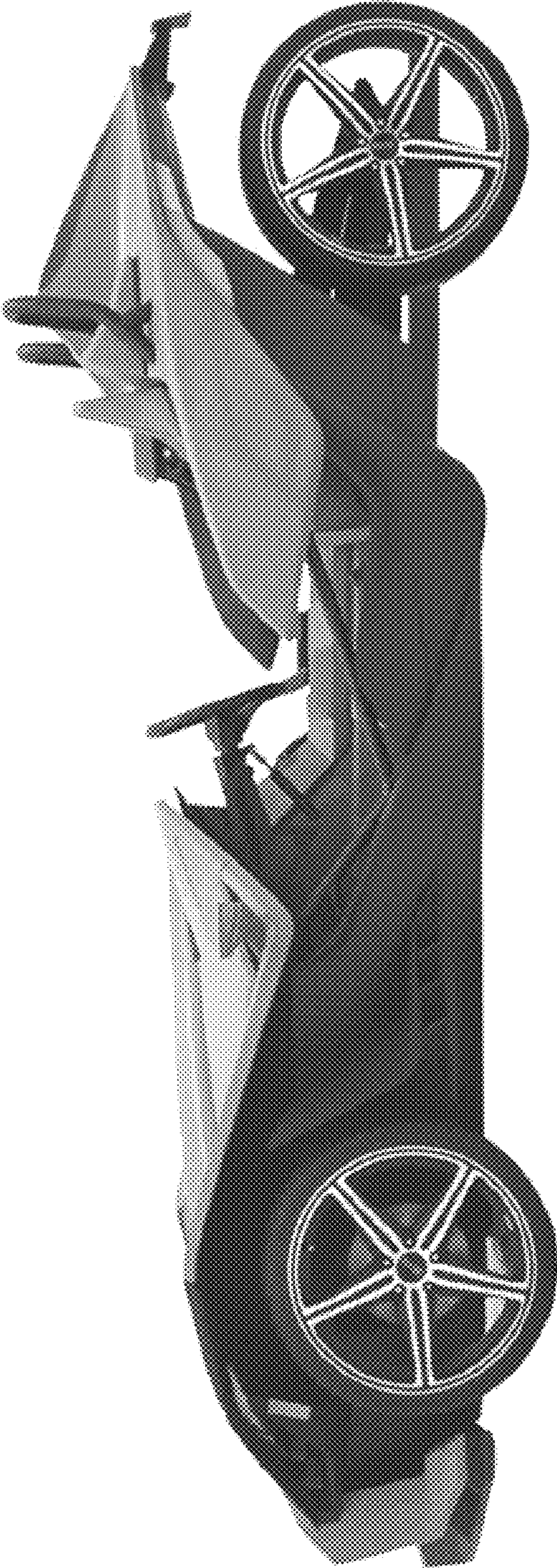


Fig. 5

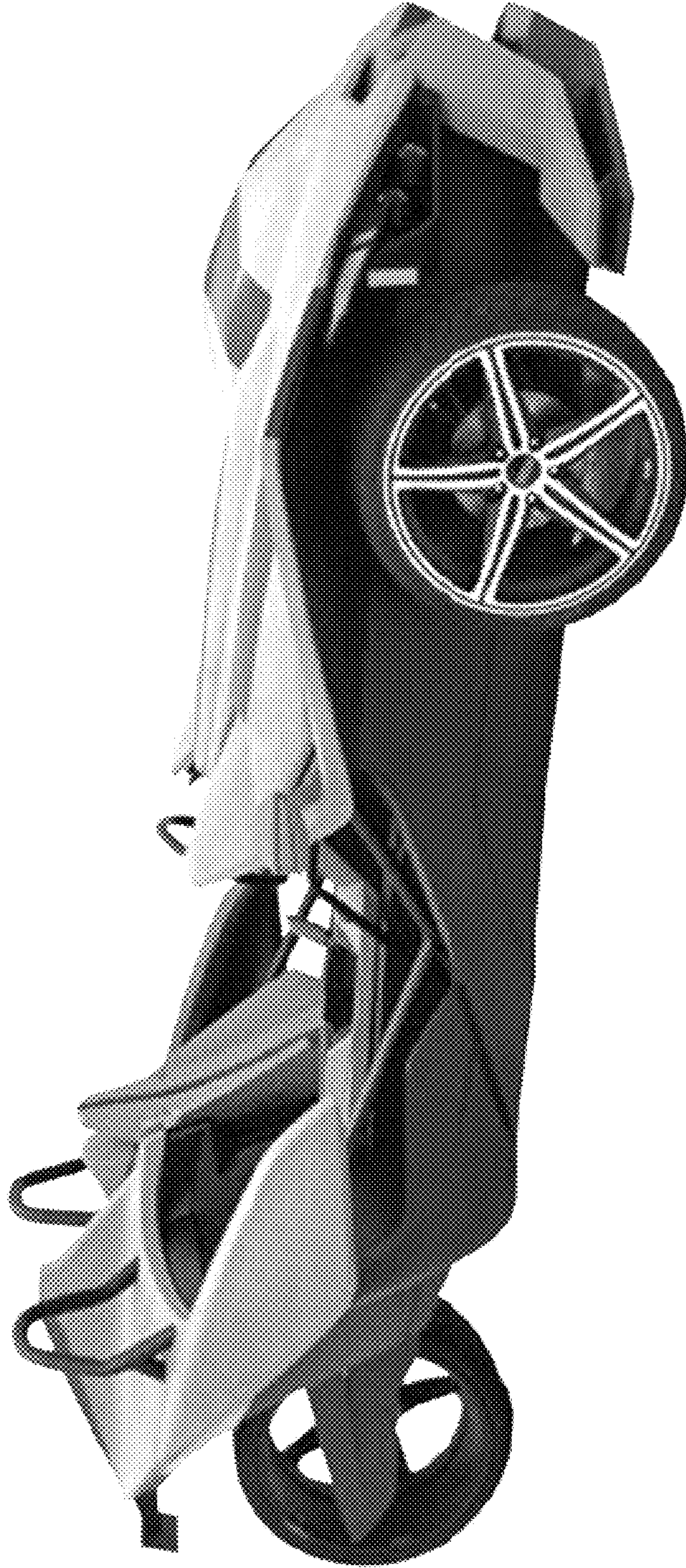


Fig. 6



Fig. 7



Fig. 8

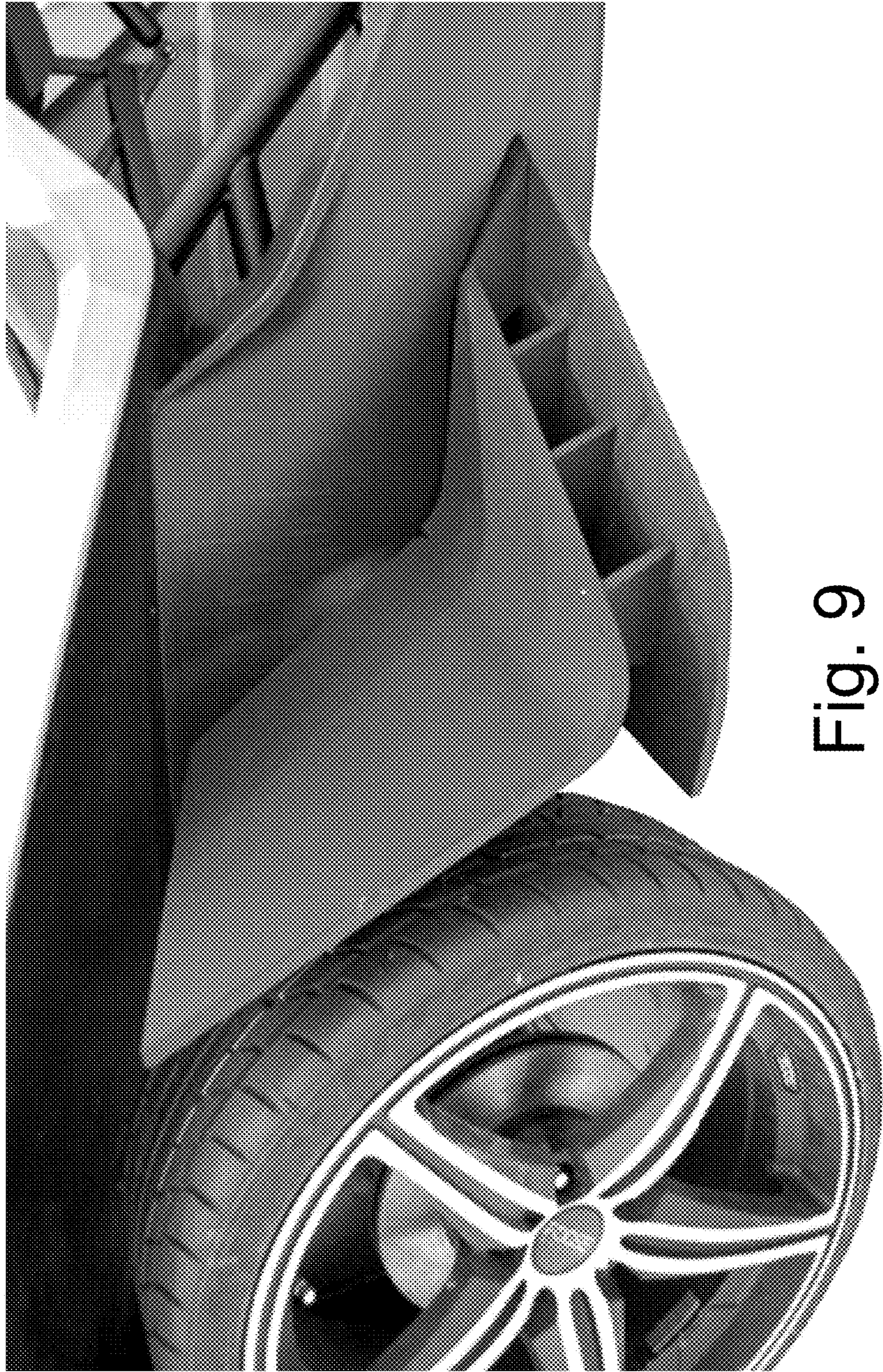


Fig. 9

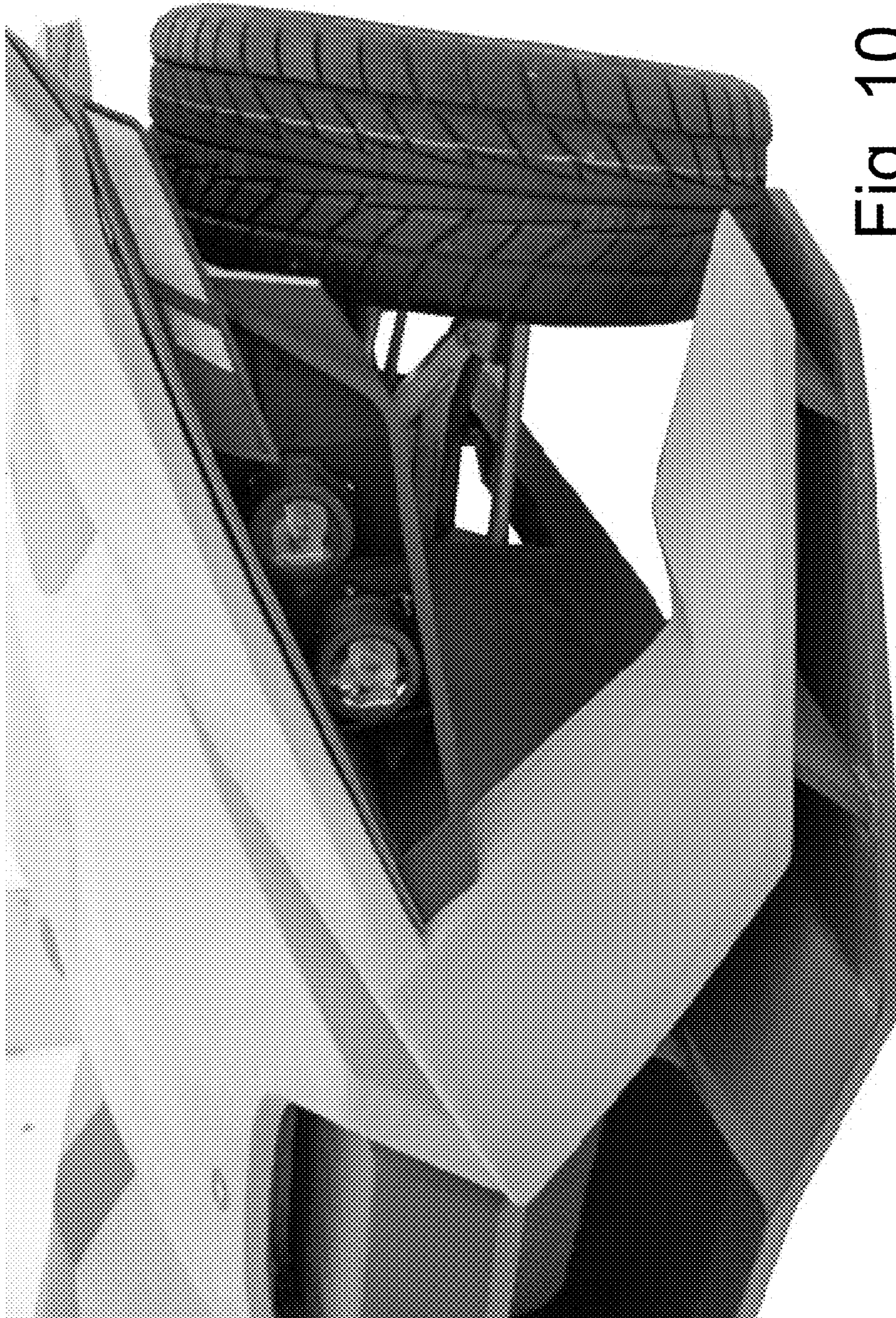


Fig. 10

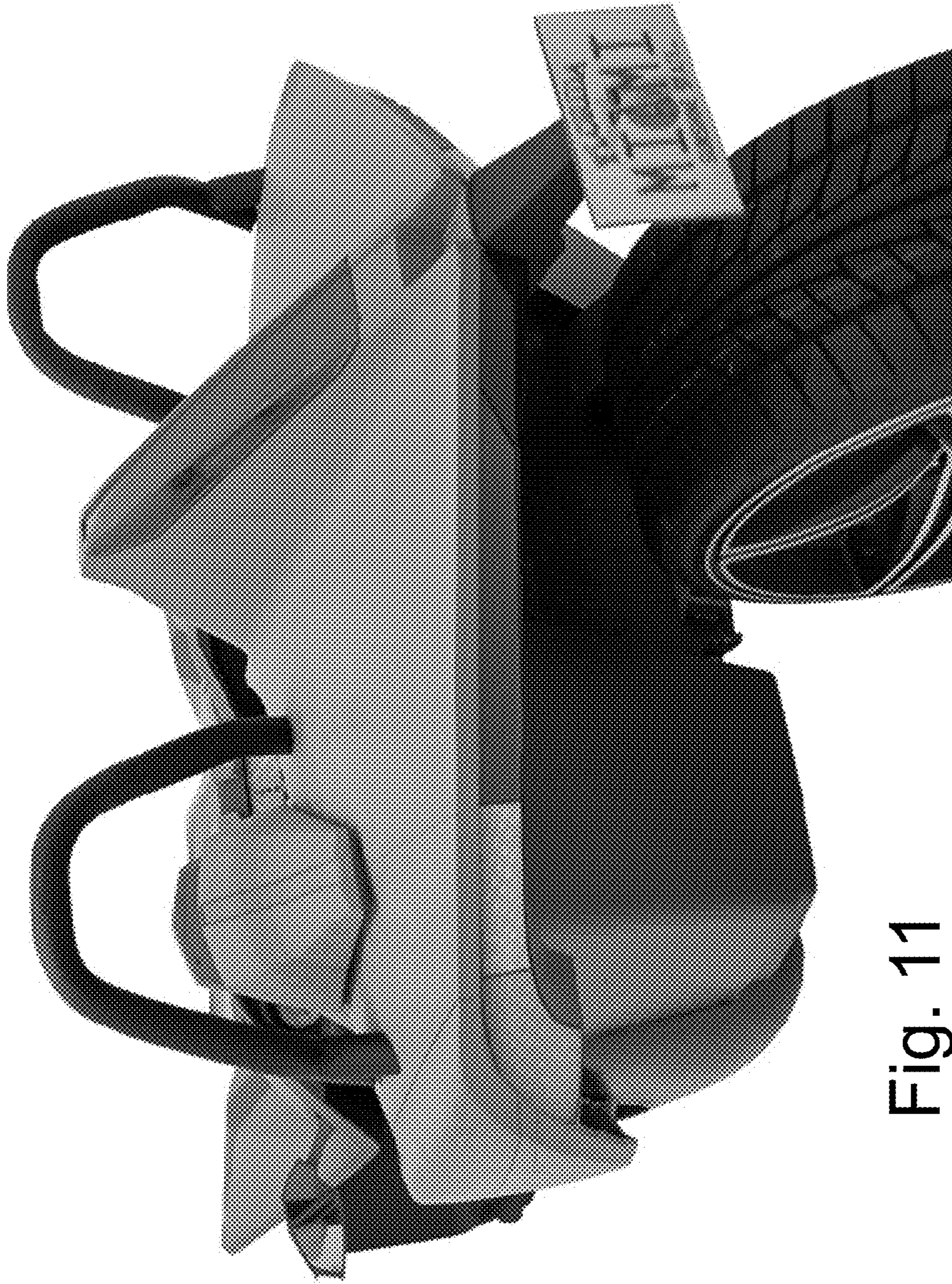


Fig. 11