



US00D689793S

(12) **United States Design Patent**  
**Yung**

(10) **Patent No.:** **US D689,793 S**

(45) **Date of Patent:** **\*\* Sep. 17, 2013**

(54) **MODULAR FLORAL ARRANGEMENT**

(75) Inventor: **Allen Yung**, San Marino, CA (US)

(73) Assignee: **Tony Yung**, San Marino, CA (US)

(\*\*) Term: **14 Years**

(21) Appl. No.: **29/353,943**

(22) Filed: **Jan. 15, 2010**

(51) **LOC (9) Cl.** ..... **11-02**

(52) **U.S. Cl.**  
USPC ..... **D11/146; D11/143; D11/155**

(58) **Field of Classification Search**  
USPC ..... D6/403-405, 556-668; D8/1;  
D11/143-156, 164; D19/77, 80, 81, 84;  
D25/100; D26/9-11, 16, 19; D34/1, 2, 4-6;  
D99/5, 19; 47/17, 32.4, 32.5, 32.7, 33, 39,  
47/41.01, 41.1, 41.11-41.15, 44-47, 63,  
47/65.5, 65.9, 66.1, 66.2, 66.6, 66.7, 67-71  
See application file for complete search history.

(56) **References Cited**

**U.S. PATENT DOCUMENTS**

D141,633 S *	6/1945	Eubank	.....	D11/146
D156,471 S *	12/1949	Winchester	.....	D11/146
D247,338 S *	2/1978	Wagschal	.....	D6/556
D275,704 S *	9/1984	Smith et al.	.....	D25/100
D286,604 S *	11/1986	Bierlein et al.	.....	D11/152

D298,520 S *	11/1988	Pickering	.....	D11/146
D305,944 S *	2/1990	Mellott	.....	D11/146
D325,396 S *	4/1992	Nascher	.....	D19/84
D347,195 S *	5/1994	Carroll	.....	D11/144
D356,054 S *	3/1995	Roe et al.	.....	D11/145
D365,041 S *	12/1995	Dollinger	.....	D11/146
D392,211 S *	3/1998	Puccinelli	.....	D11/149
D459,166 S *	6/2002	Harrison, Jr.	.....	D8/1
D477,547 S *	7/2003	Davenport	.....	D11/146
D568,203 S *	5/2008	Lindberg	.....	D11/146
D574,117 S *	7/2008	McGregory	.....	D11/146
2003/0110685 A1 *	6/2003	Weder	.....	47/41.01

\* cited by examiner

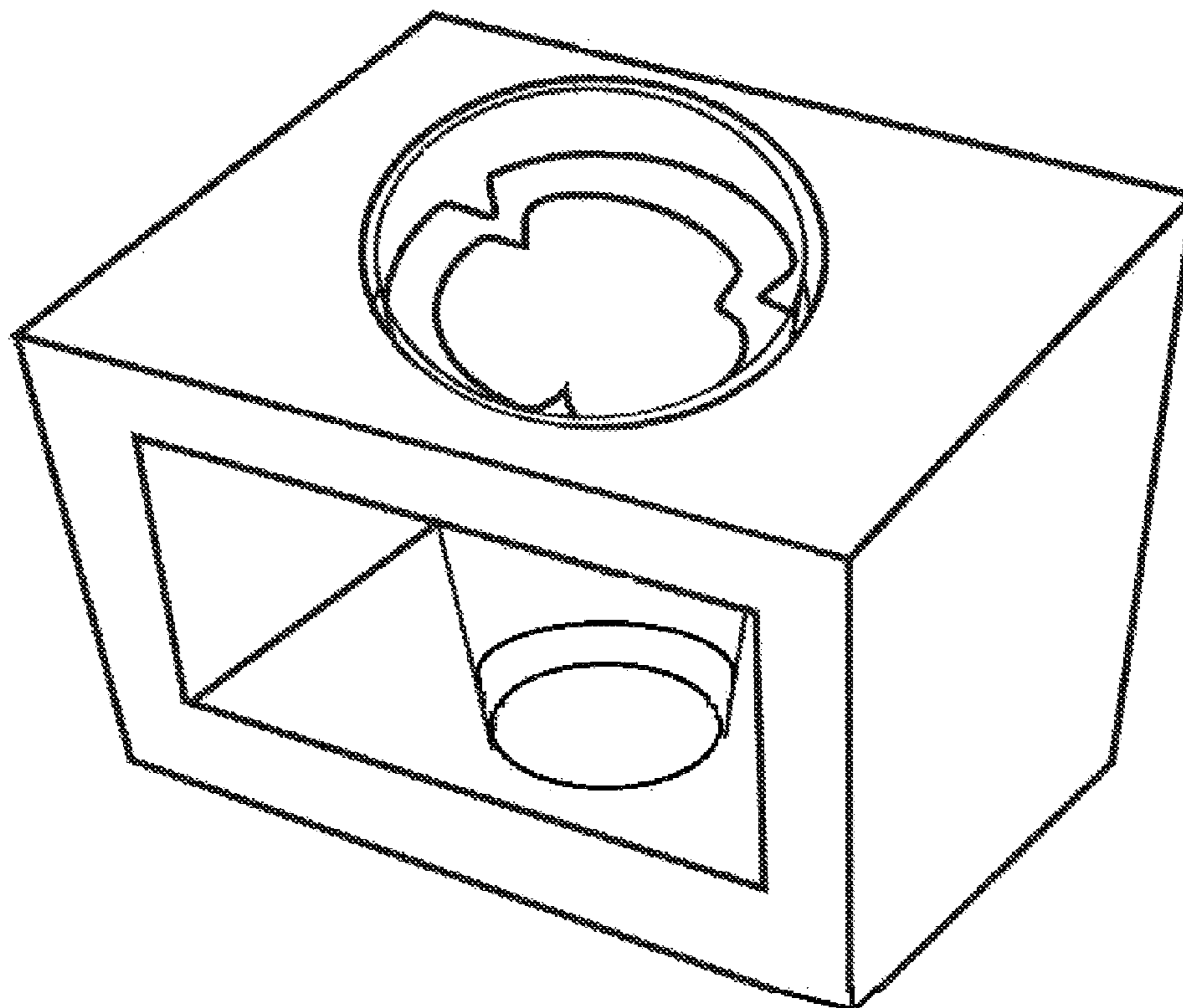
*Primary Examiner* — Garth Rademaker

(57) **CLAIM**  
The ornamental design for a modular floral arrangement, as shown and described.

**DESCRIPTION**

FIG. 1 is a perspective view of a modular floral arrangement, showing my new design; and, FIG. 2 is an exploded perspective view thereof. The characteristic feature of the design resides in the modular nature of the vase element, which can be placed in multiple, different base elements. Such alternate base elements have not been shown and do not form a part of the claimed design.

**1 Claim, 2 Drawing Sheets**



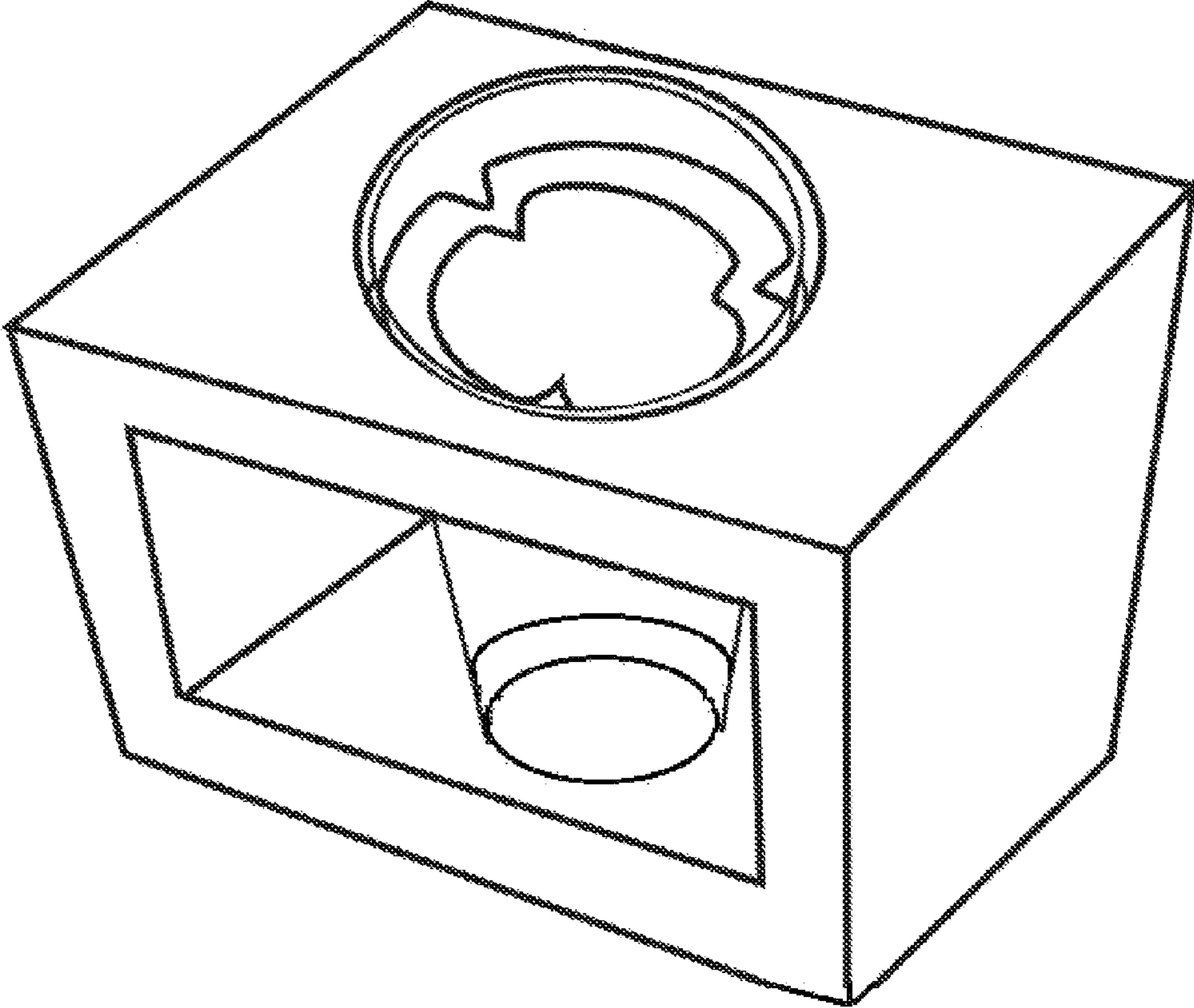


Figure 1

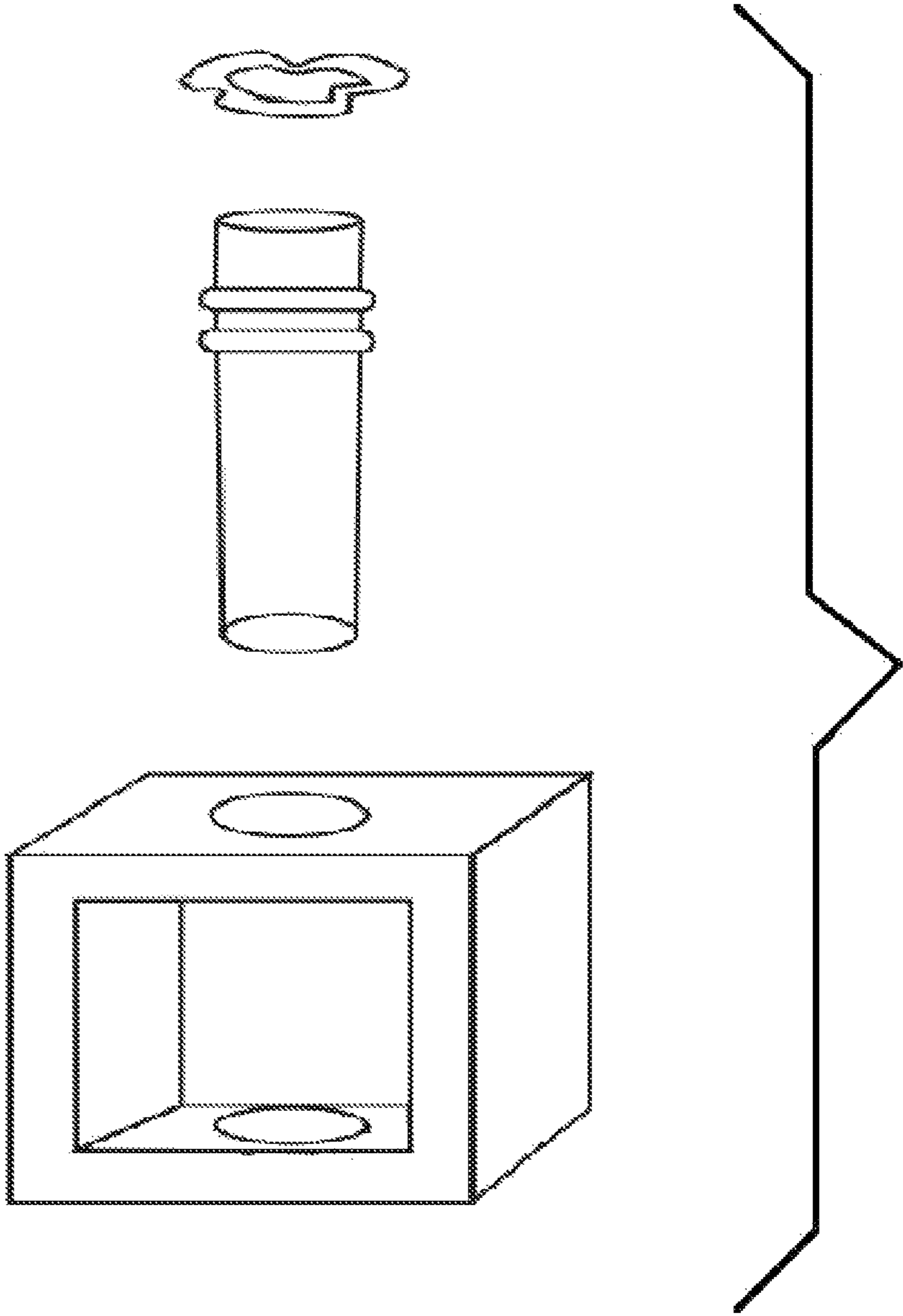


Figure 2