



US00D689792S

(12) **United States Design Patent**
Xing

(10) **Patent No.:** **US D689,792 S**

(45) **Date of Patent:** **** Sep. 17, 2013**

(54) **STACKING PLANTER**

(75) Inventor: **Yaping Xing**, Lake City, FL (US)

(73) Assignee: **Yaping Xing**, Lake City, FL (US)

(**) Term: **14 Years**

(21) Appl. No.: **29/418,020**

(22) Filed: **Apr. 11, 2012**

(51) **LOC (9) Cl.** **11-02**

(52) **U.S. Cl.**
USPC **D11/143**

(58) **Field of Classification Search**

USPC D6/403-405, 556-558; D8/1;
D11/143-156, 164; D19/77, 80, 81, 84;
D25/100; D26/9-11, 16, 19; D34/1, 2, 4-6;
D99/5, 19; 47/17, 32.4, 32.5, 32.7, 33, 39,
47/41.01, 41.1, 41.11-41.15, 44-47, 65,
47/65.5, 65.9, 66.1, 66.2, 66.6, 66.7, 67-71

See application file for complete search history.

(56) **References Cited**

U.S. PATENT DOCUMENTS

3,135,389	A *	6/1964	Farley	D11/152
4,614,056	A *	9/1986	Farkas	47/67
D295,842	S *	5/1988	Gay	D11/152
D306,985	S *	4/1990	Mason, Jr.	D11/143
D309,878	S *	8/1990	Mason, Jr.	D11/143
D315,877	S *	4/1991	Hedges	D11/143
D445,062	S *	7/2001	Wong	D11/147
D447,719	S *	9/2001	Henry	D11/153
D489,286	S *	5/2004	Rogers	D11/143
D522,913	S *	6/2006	Kavur	D11/151
D603,181	S *	11/2009	Carlinton	D6/405
D614,994	S *	5/2010	Dipaolo et al.	D11/164
D653,156	S *	1/2012	Phelps et al.	D11/143

* cited by examiner

Primary Examiner — Garth Rademaker

(74) *Attorney, Agent, or Firm* — Sinorica, LLC

(57) **CLAIM**

The ornamental design for a stacking planter, as shown and described.

DESCRIPTION

FIG. 1 is a perspective view of a stacking planter, showing one of the planters which comprises only a portion of the claimed design, other portions being omitted for ease of disclosure; FIG. 2 is a front view thereof, showing only one of the planters thereof;

FIG. 3 is a rear view thereof, showing only one of the planters thereof;

FIG. 4 is a right side view thereof, showing only one of the planters thereof;

FIG. 5 is a left side view thereof, showing only one of the planters thereof;

FIG. 6 is a top view thereof, showing only one of the planters thereof;

FIG. 7 is a bottom view thereof, showing only one of the planters thereof;

FIG. 8 is a perspective view thereof, showing one of the interior grille pieces which comprises only a portion of the claimed design, other portions being omitted for ease of disclosure;

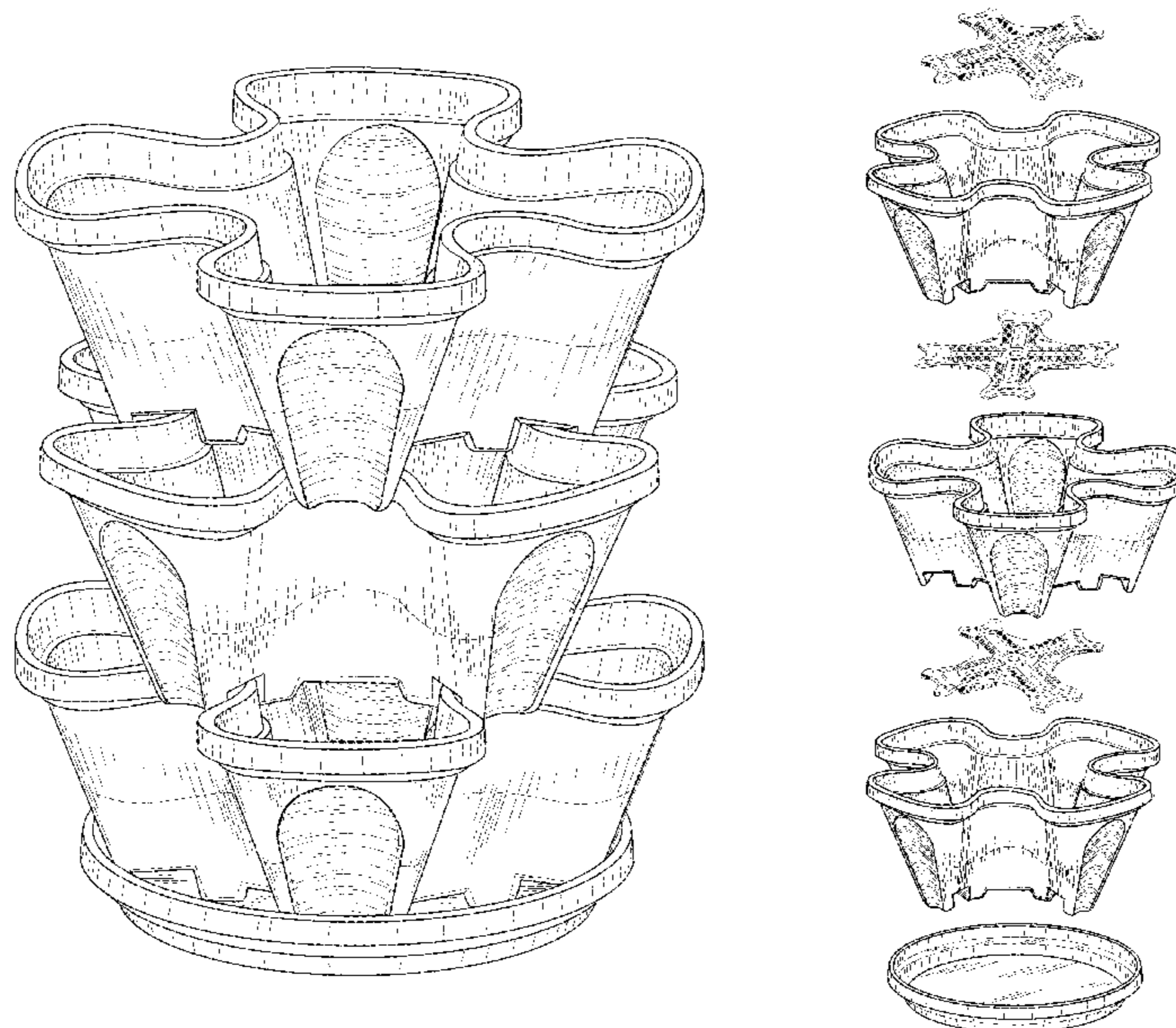
FIG. 9 is a top view thereof, showing one of the interior grill pieces inserted into one of the planters, other portions being omitted for ease of disclosure;

FIG. 10 is a perspective view thereof, showing all portions of the claimed design;

FIG. 11 is a front view thereof; and,

FIG. 12 is an exploded view thereof.

1 Claim, 12 Drawing Sheets



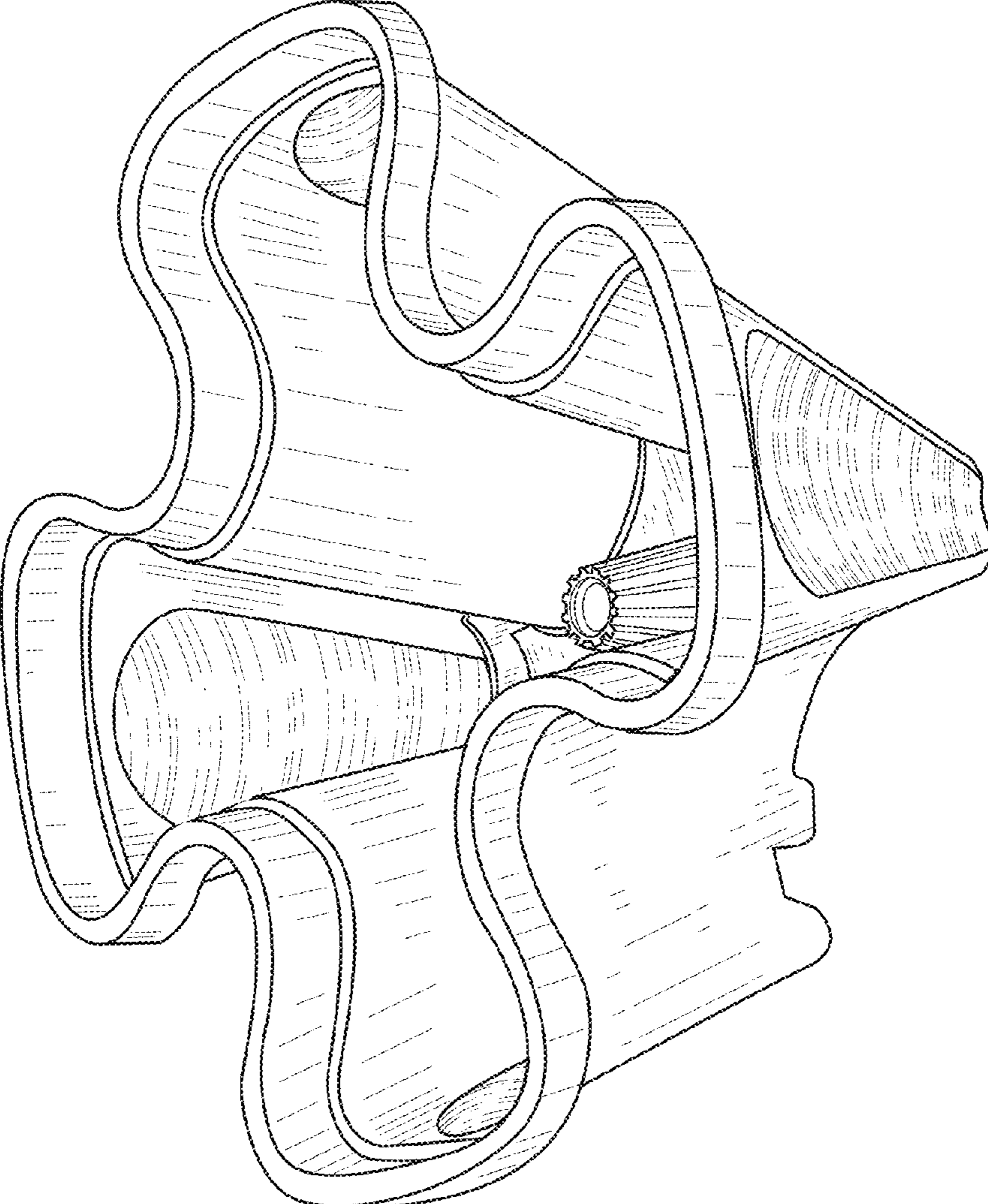


FIG. 1

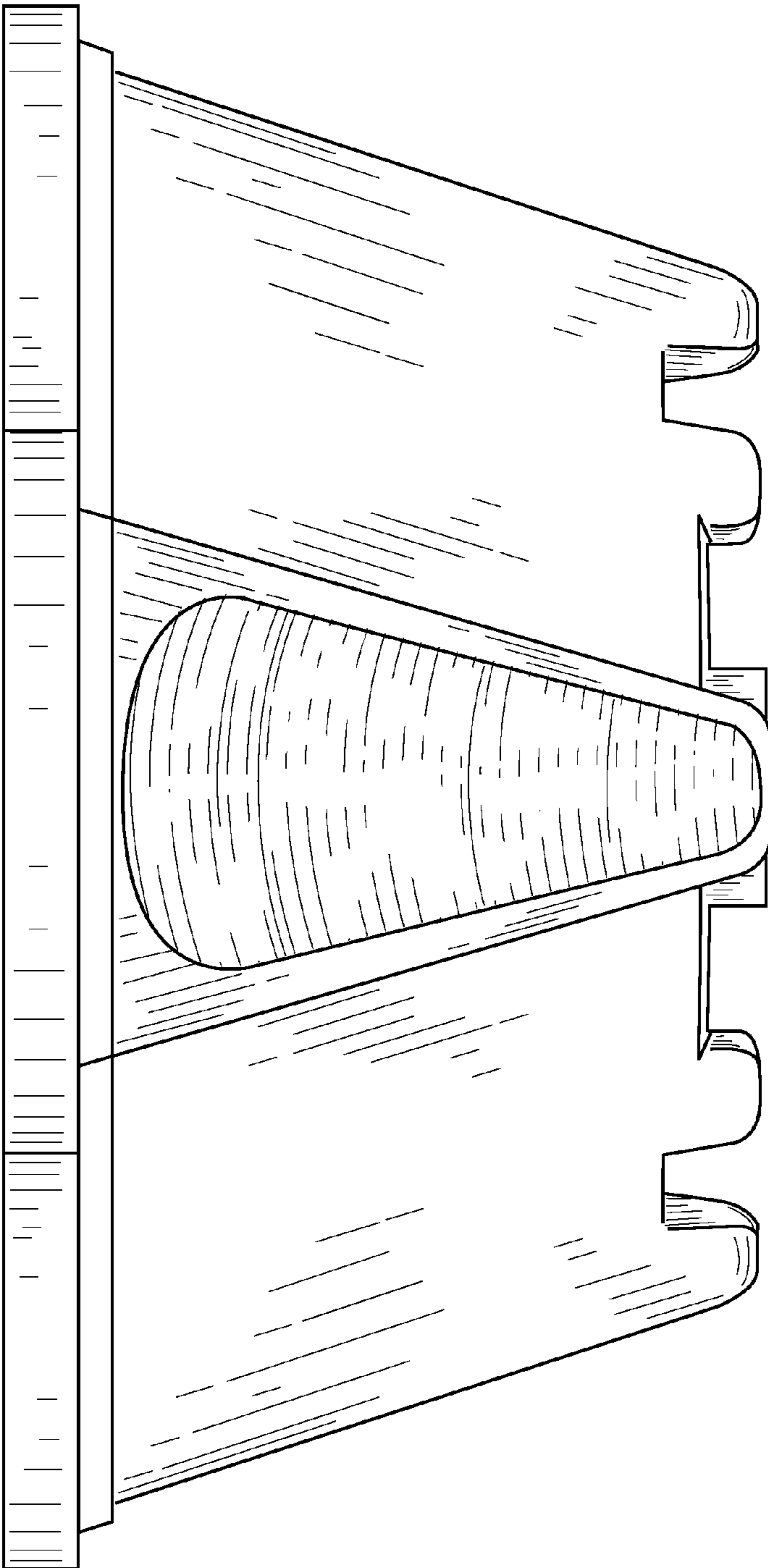


FIG. 2

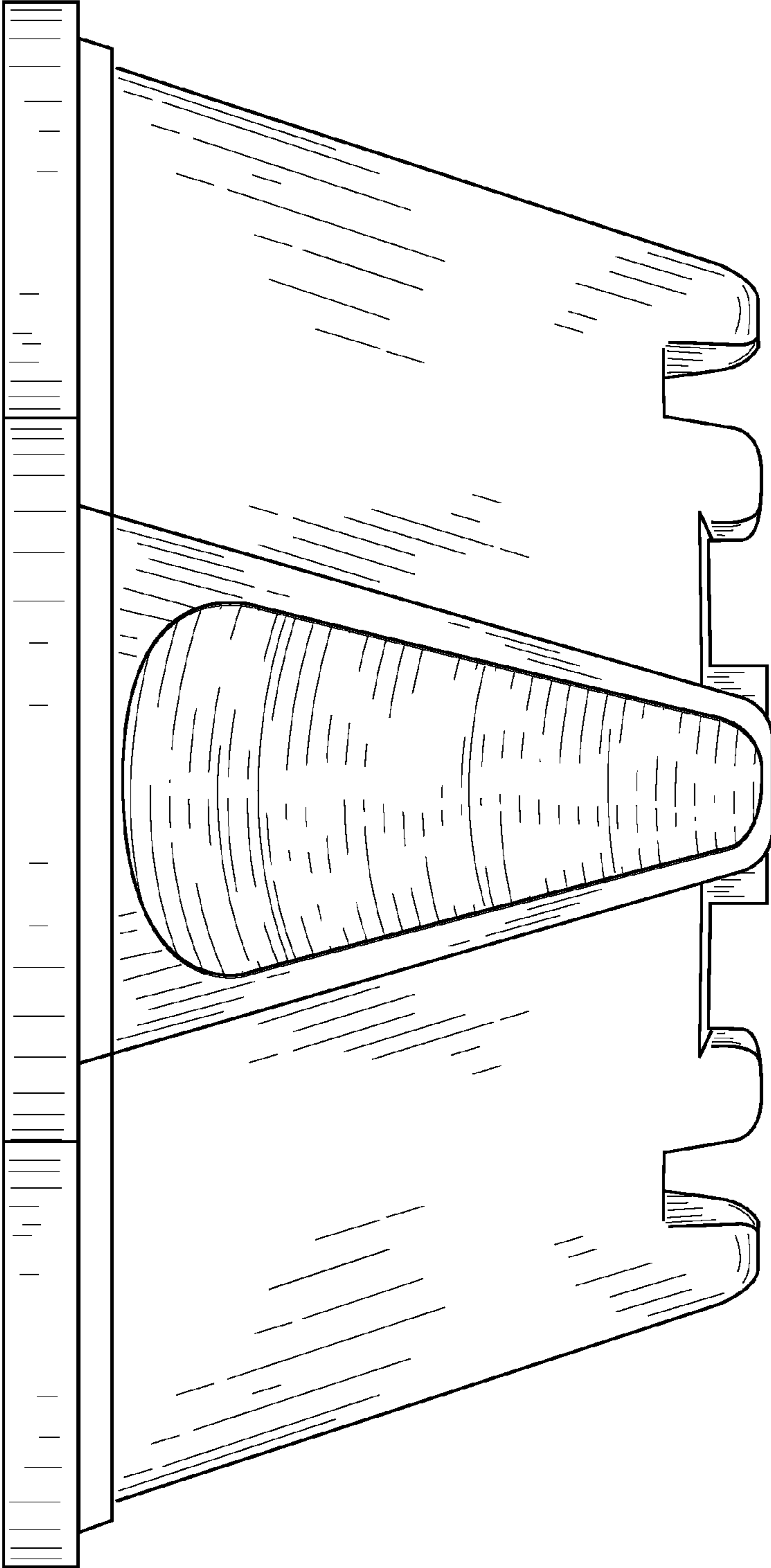


FIG. 3

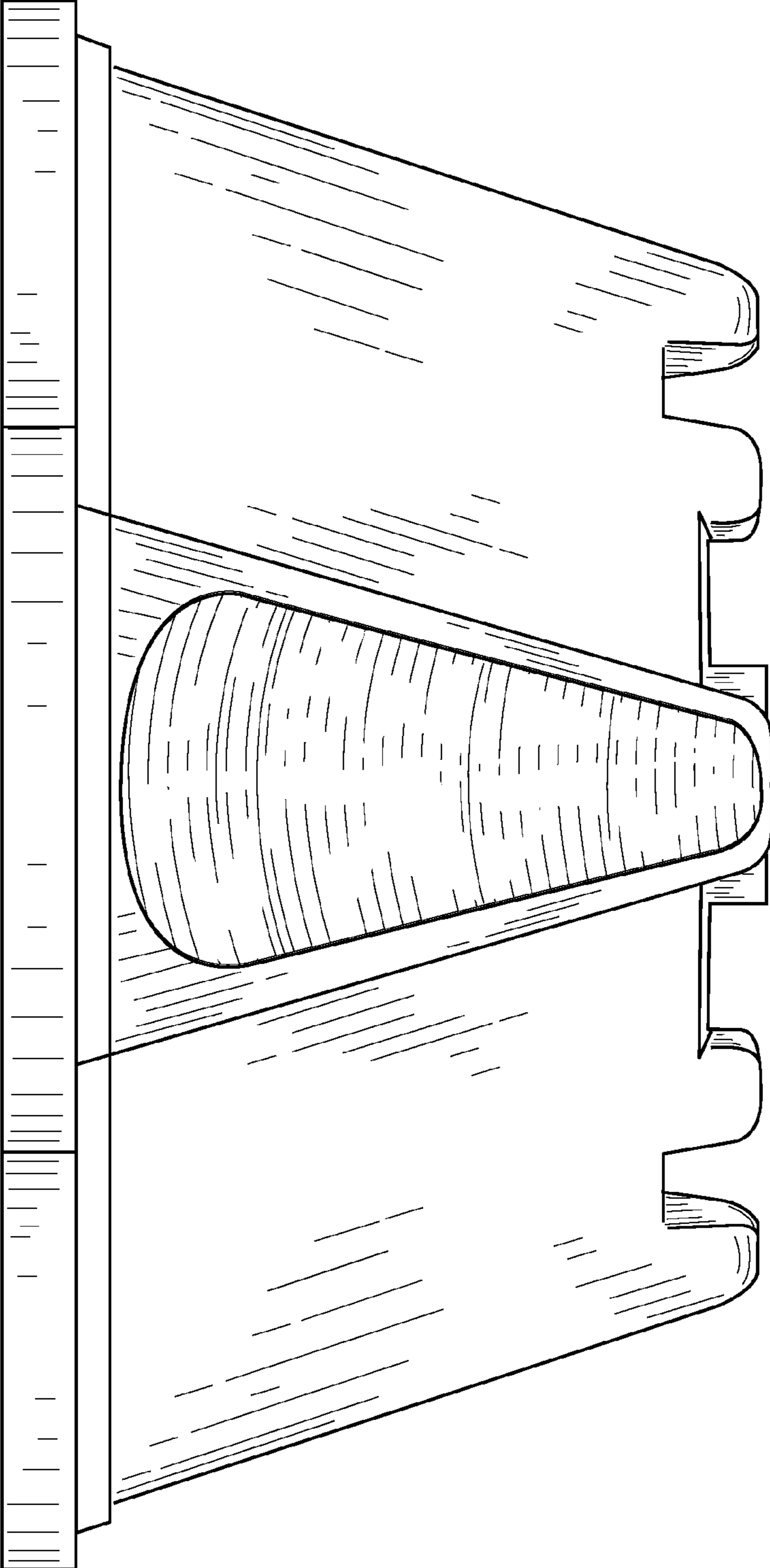


FIG. 4

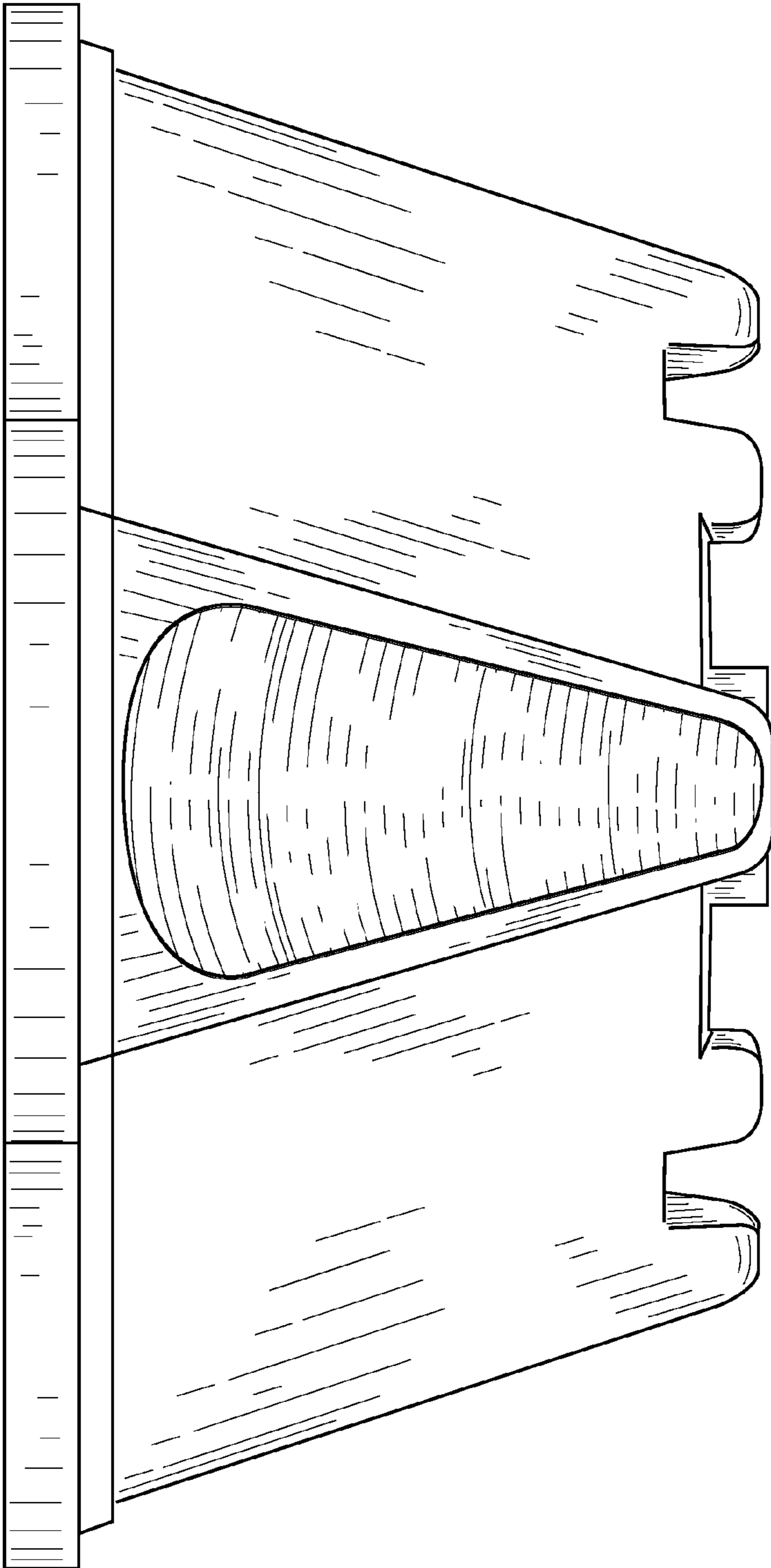


FIG. 5

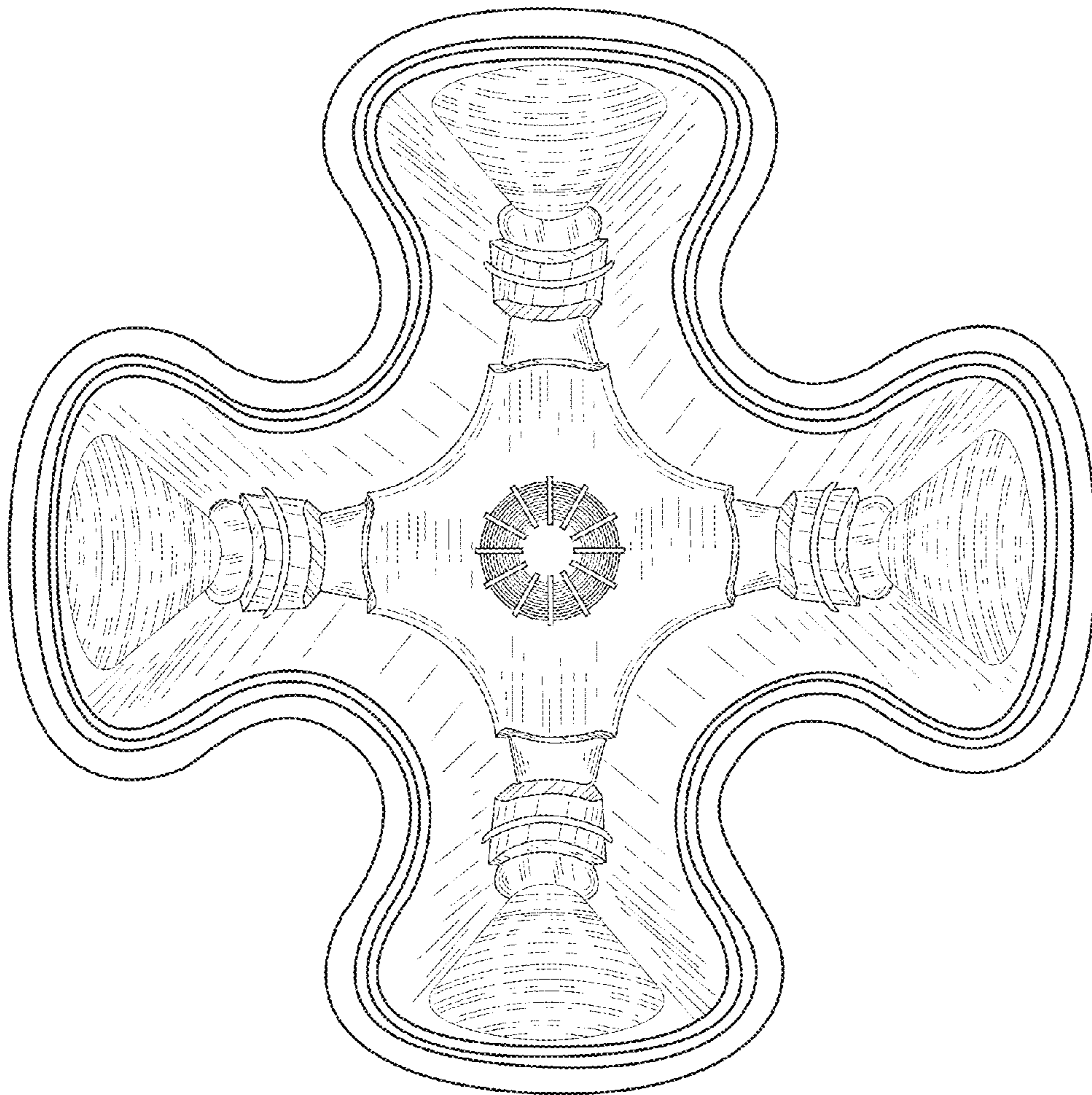


FIG. 6

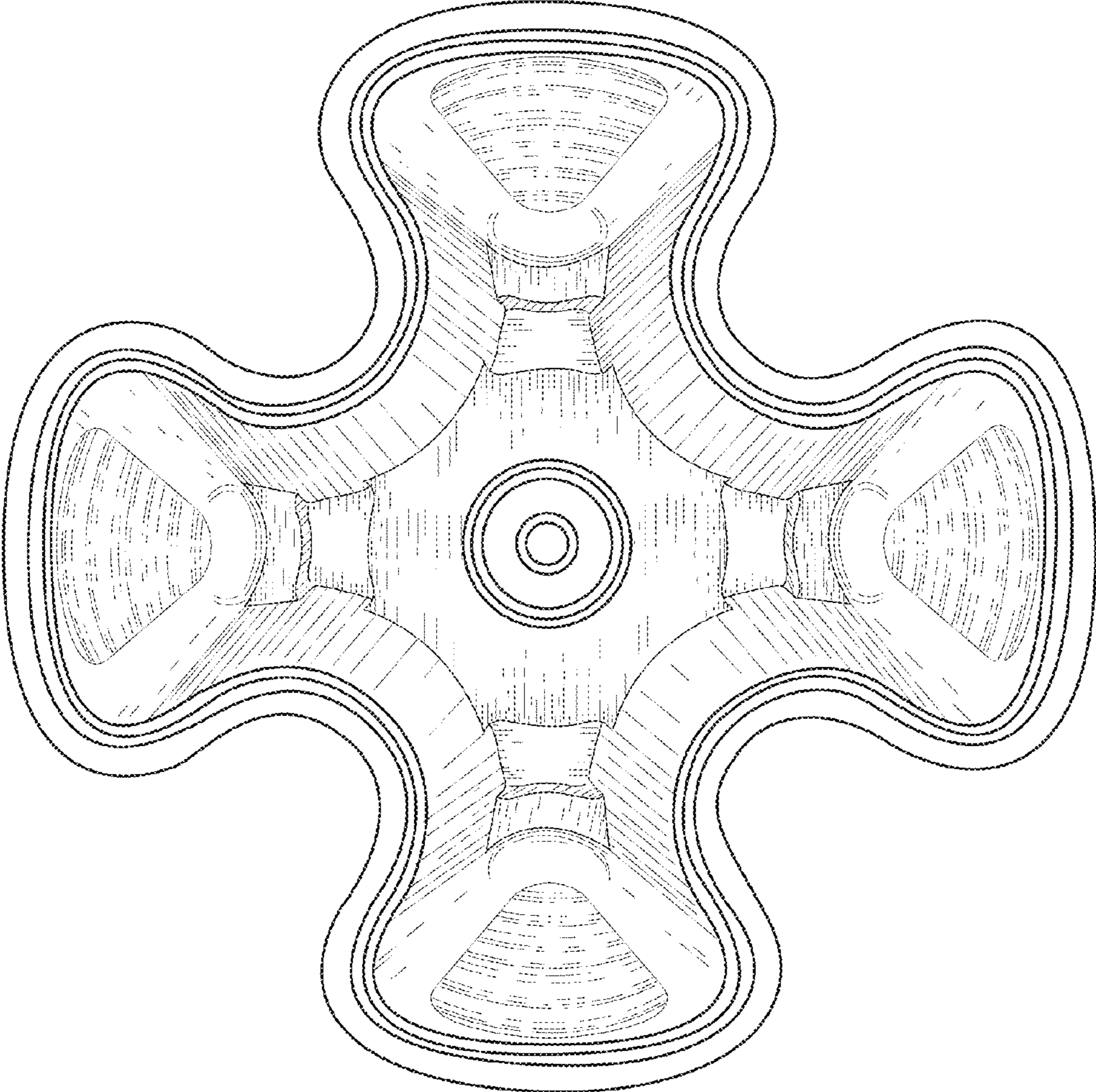


FIG. 7

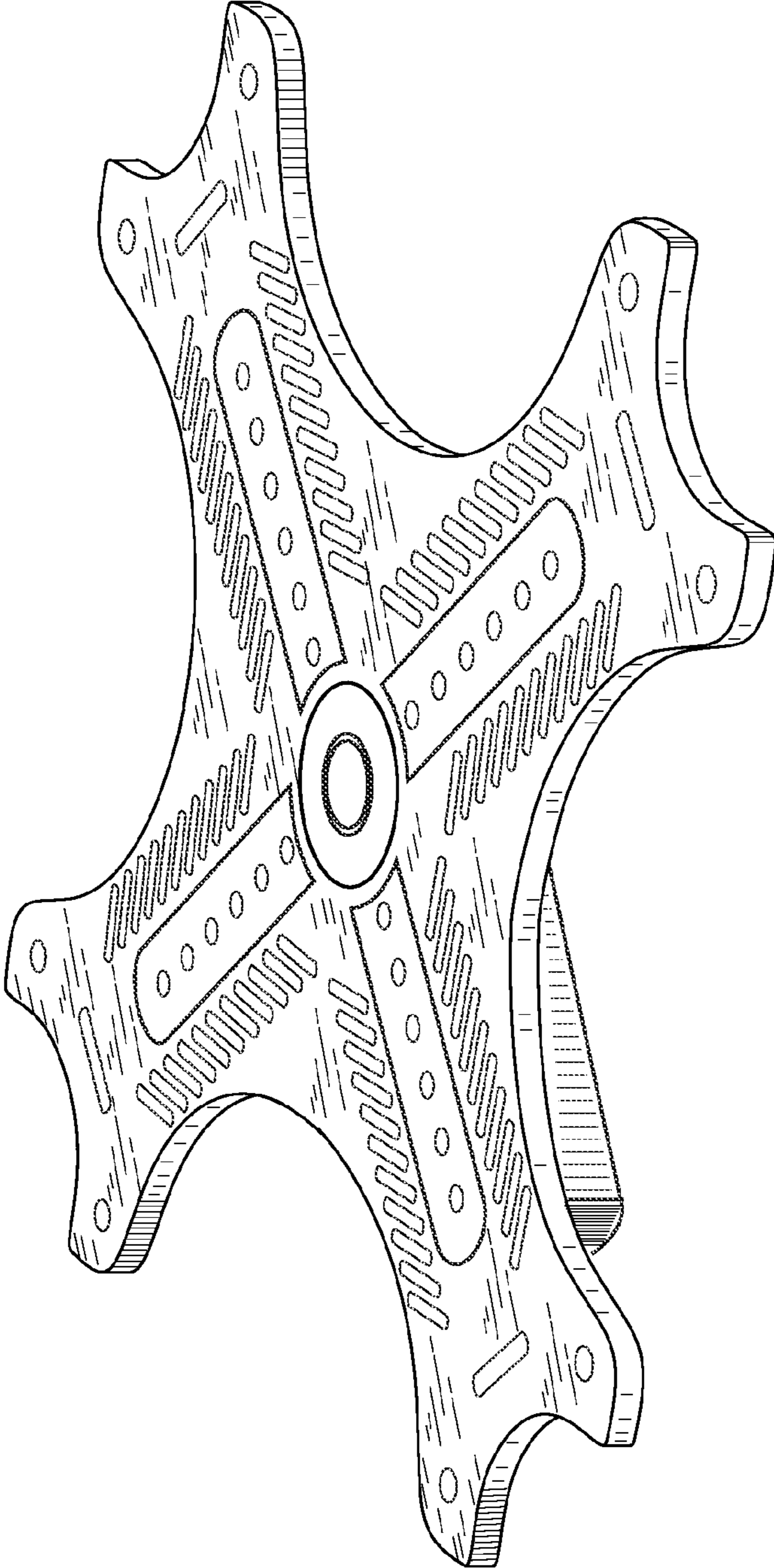


FIG. 8

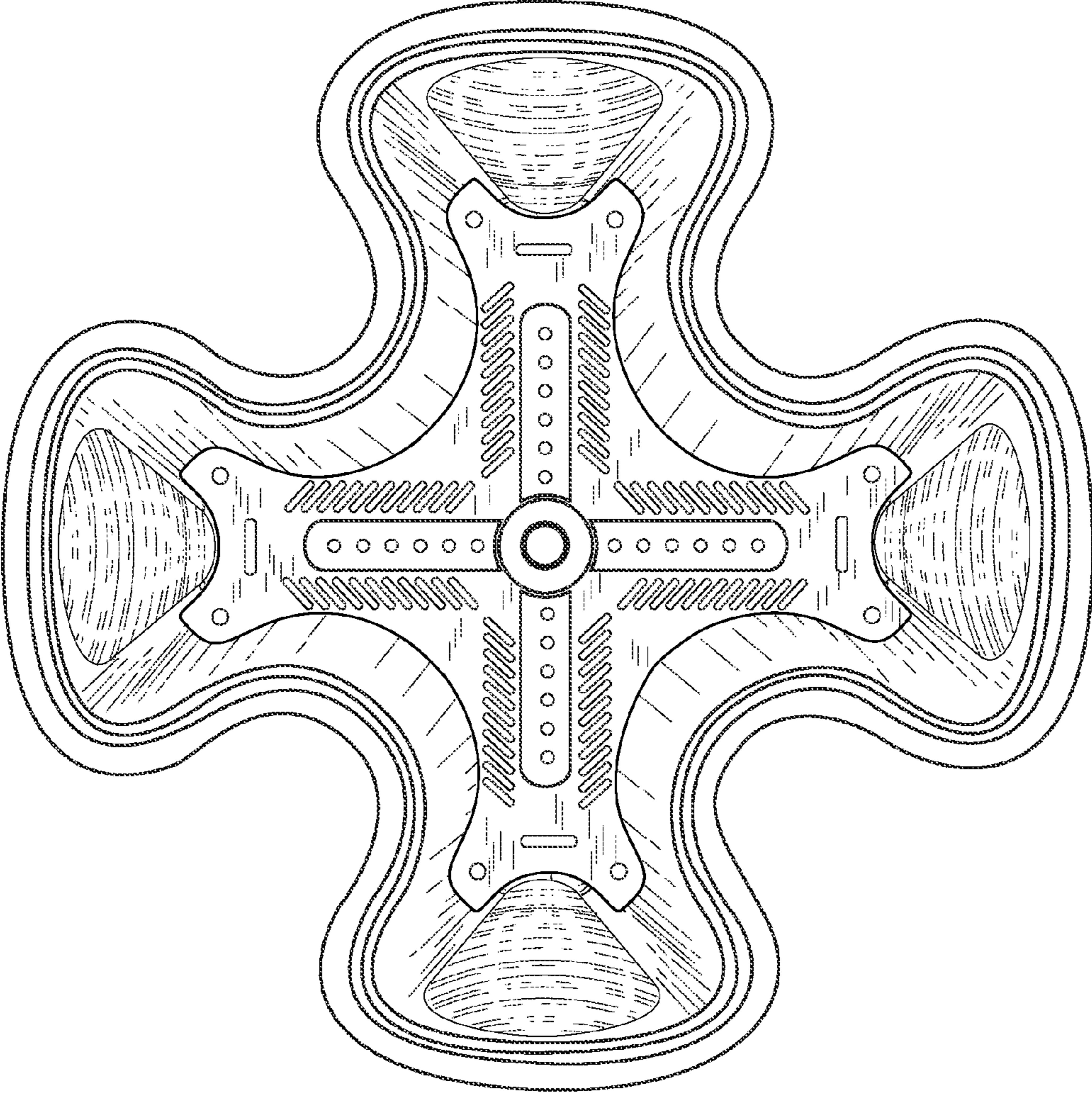


FIG. 9

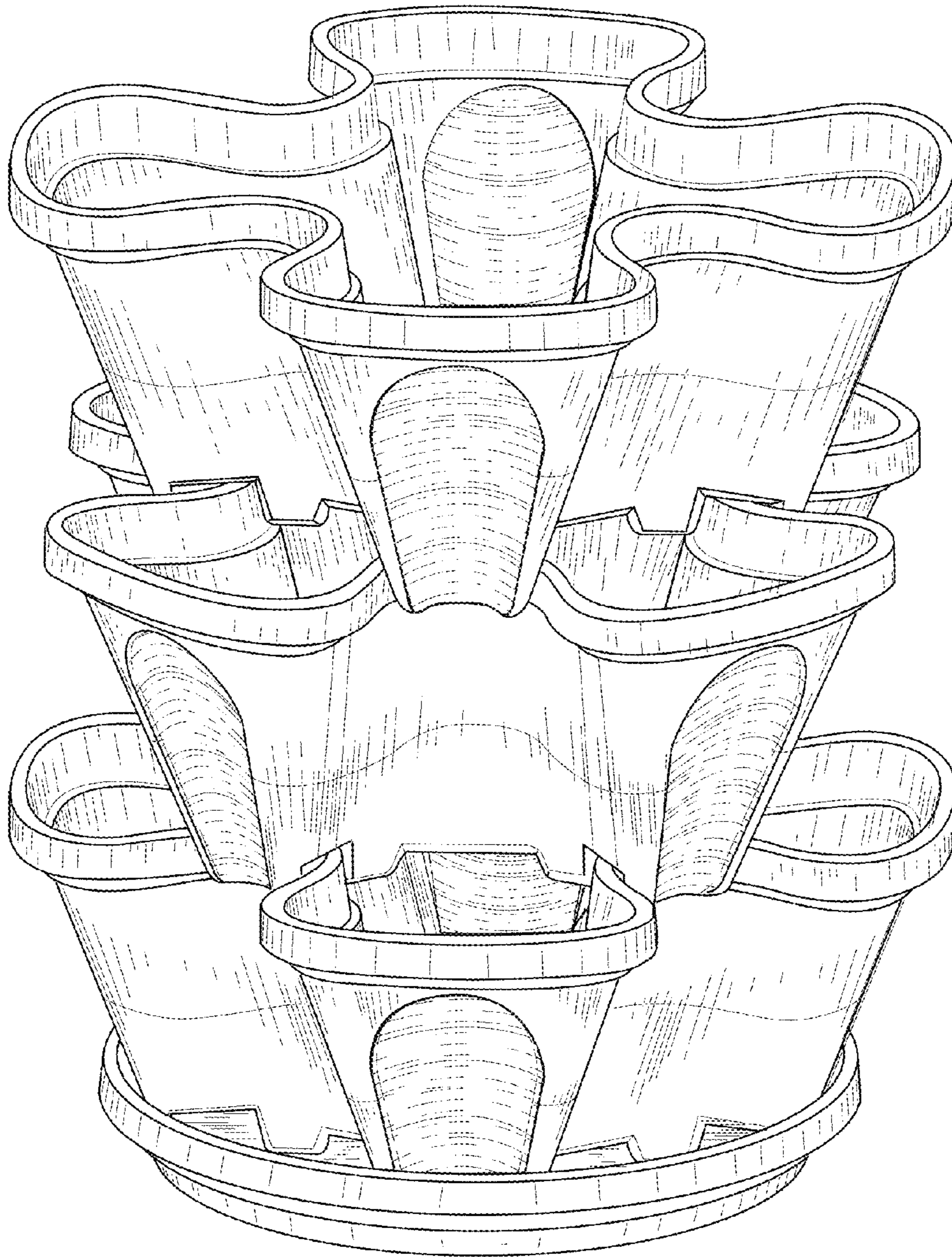


FIG. 10

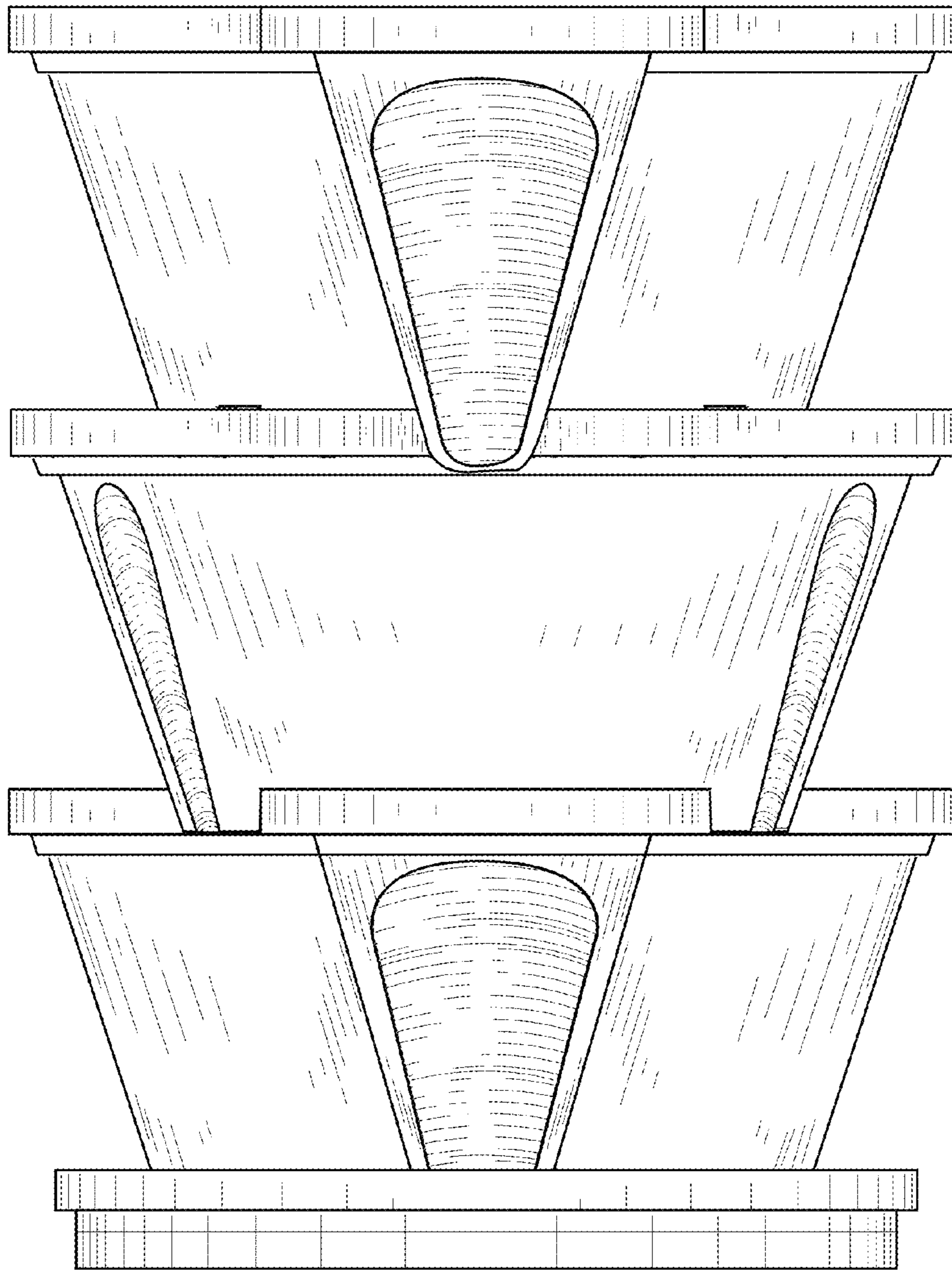


FIG. 11

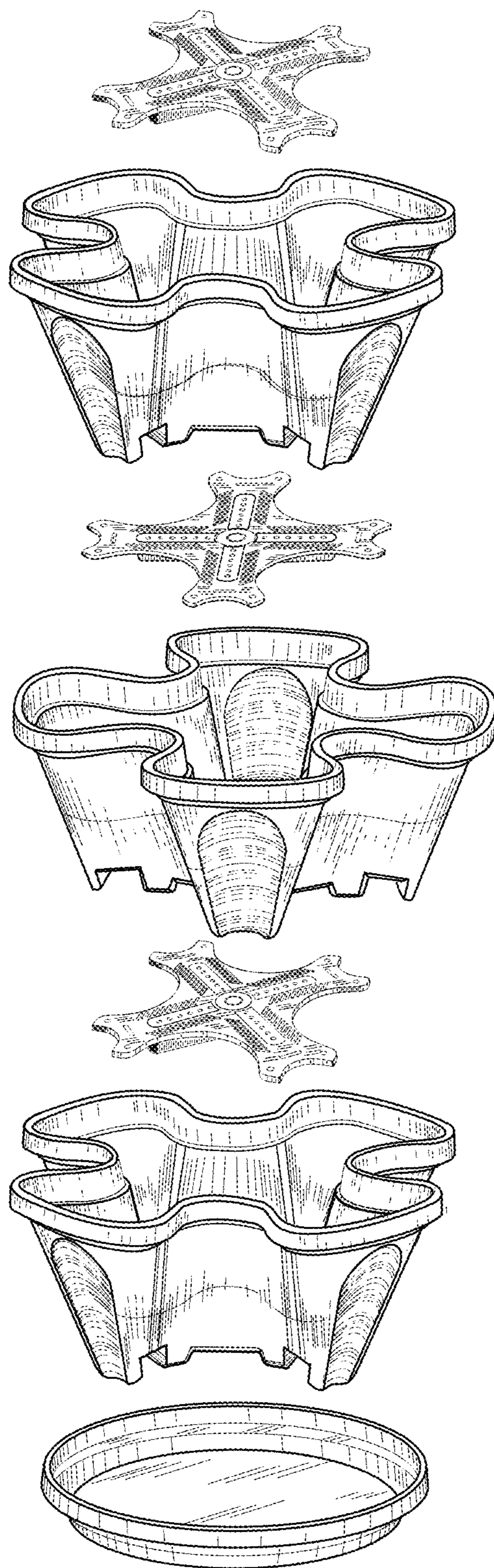


FIG. 12