



US00D689784S

(12) **United States Design Patent**
McDonald et al.

(10) **Patent No.:** **US D689,784 S**
(45) **Date of Patent:** **** Sep. 17, 2013**

(54) **FLOW CELL FOR A FLOW METER**

(75) Inventors: **Benjamin Edward McDonald**,
Holliston, MA (US); **Mykhaylo**
Barsukov, Acton, MA (US); **Toan Huu**
Nguyen, Needham, MA (US)

(73) Assignee: **General Electric Company**,
Schenectady, NY (US)

(**) Term: **14 Years**

(21) Appl. No.: **29/424,797**

(22) Filed: **Jun. 15, 2012**

(51) **LOC (9) Cl.** **10-04**

(52) **U.S. Cl.**
USPC **D10/96**

(58) **Field of Classification Search**
USPC D10/96, 97, 99, 100, 101; 116/264,
116/276, 266-272; 73/273, 323, 861-861.41,
73/201, 866.1, 700-756; 174/539, 542, 594
See application file for complete search history.

(56) **References Cited**

U.S. PATENT DOCUMENTS

D669,379	S	*	10/2012	McDonald et al.	D10/96
2008/0307911	A1	*	12/2008	Allen	73/866.1
2009/0044635	A1	*	2/2009	Allen	73/861.18
2010/0005900	A1	*	1/2010	Straub et al.	73/861.18

2010/0229654	A1		9/2010	Ao et al.		
2012/0125121	A1	*	5/2012	Gottlieb et al.	73/861.28
2012/0125122	A1	*	5/2012	Gottlieb et al.	73/861.28

OTHER PUBLICATIONS

Altosonic V, Technical Datasheet, 5-Beam ultrasonic flowmeter for custody transfer of liquid hydrocarbons, Krohne, 20 pages.
Altosonic III, Technical Datasheet, Cost effective 3-beam ultrasonic flowmeter for custody transfer of liquid hydrocarbons, Krohne, Apr. 2006, 20 pages.
Cameron—LEFM 280Ci, Ultrasonic Flow Meter, Measurement Systems, Copyright 2010 Cameron International Corporation, 6 pages.
Cameron—LEFM 280CiRN, Ultrasonic Flow Meters, Measurement Systems, Cameron International Corporation, 6 pages.

* cited by examiner

Primary Examiner — Antoine D Davis

(74) *Attorney, Agent, or Firm* — Hiscock & Barclay LLP

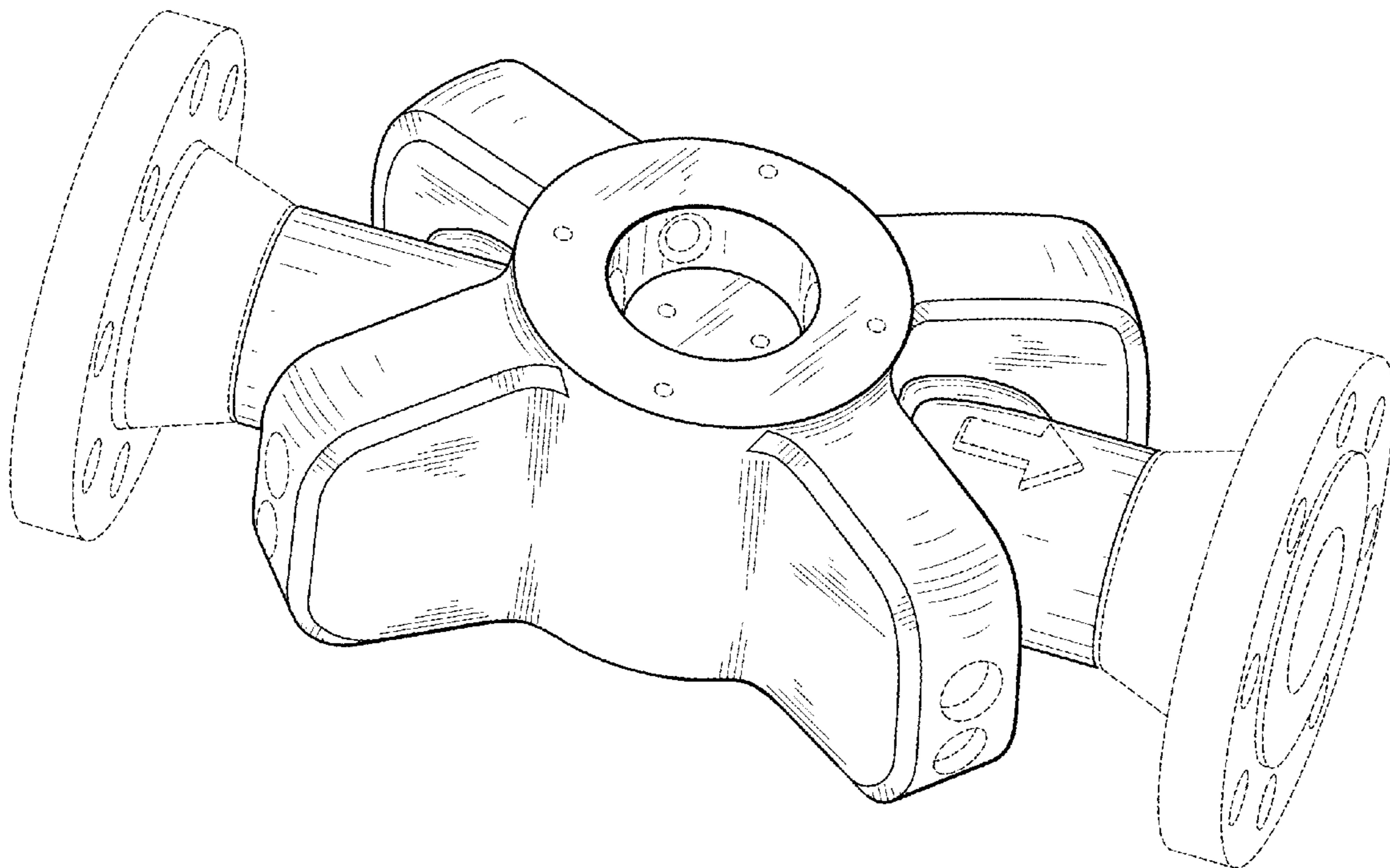
(57) **CLAIM**

The ornamental design for a flow cell for a flow meter, as shown and described.

DESCRIPTION

FIG. 1 is a right side and top perspective view thereof; FIG. 2 is a left side and bottom perspective view thereof; FIG. 3 is a right side elevational view thereof; FIG. 4 is a left side elevational view thereof; FIG. 5 is a left end elevational view thereof; FIG. 6 is a right end elevational view thereof; FIG. 7 is a bottom view thereof; and, FIG. 8 is a top view of the flow cell for a flow meter of FIG. 1. Broken lines are shown herein for illustrative purposes only, and form no part of the claimed design.

1 Claim, 5 Drawing Sheets



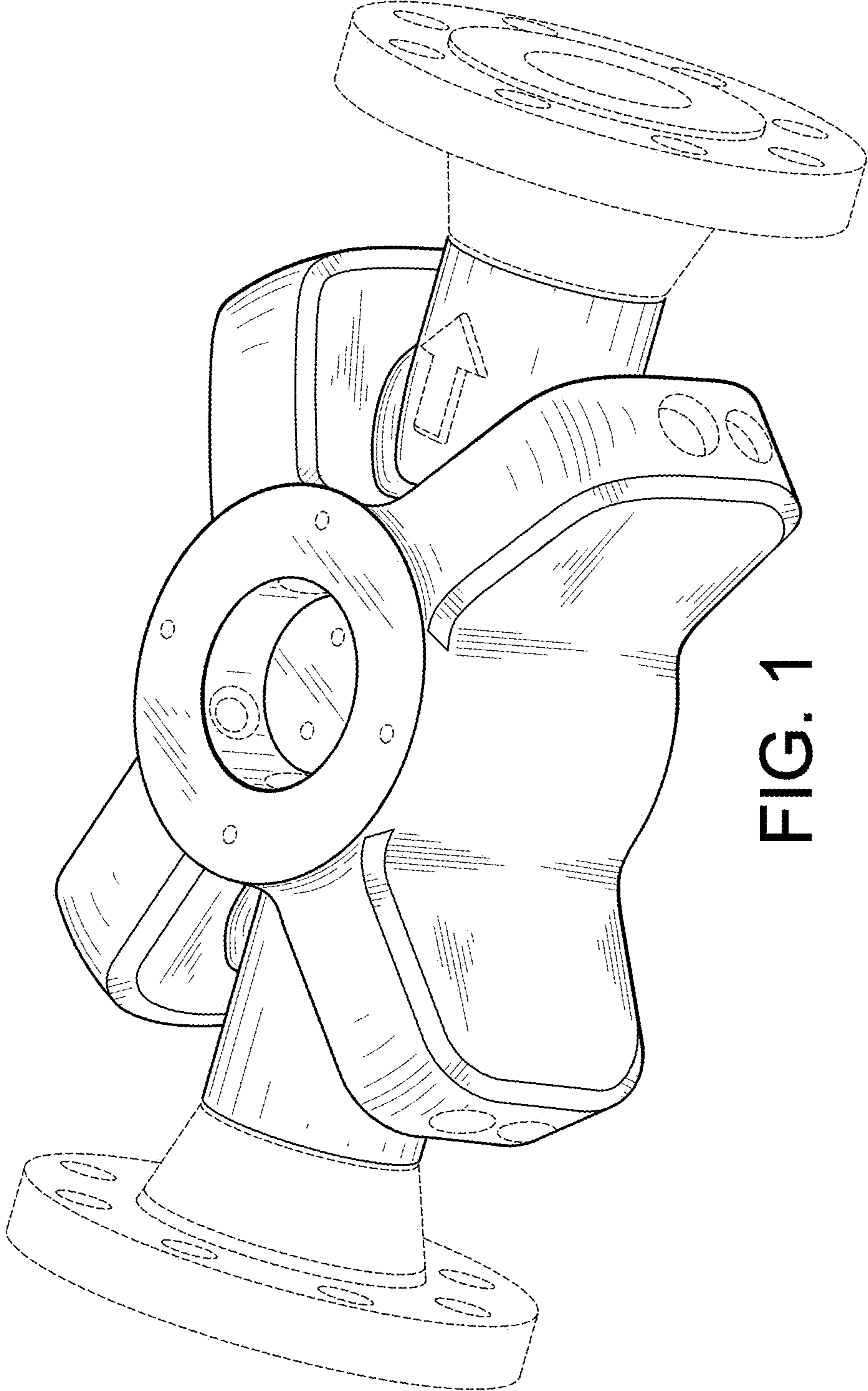


FIG. 1

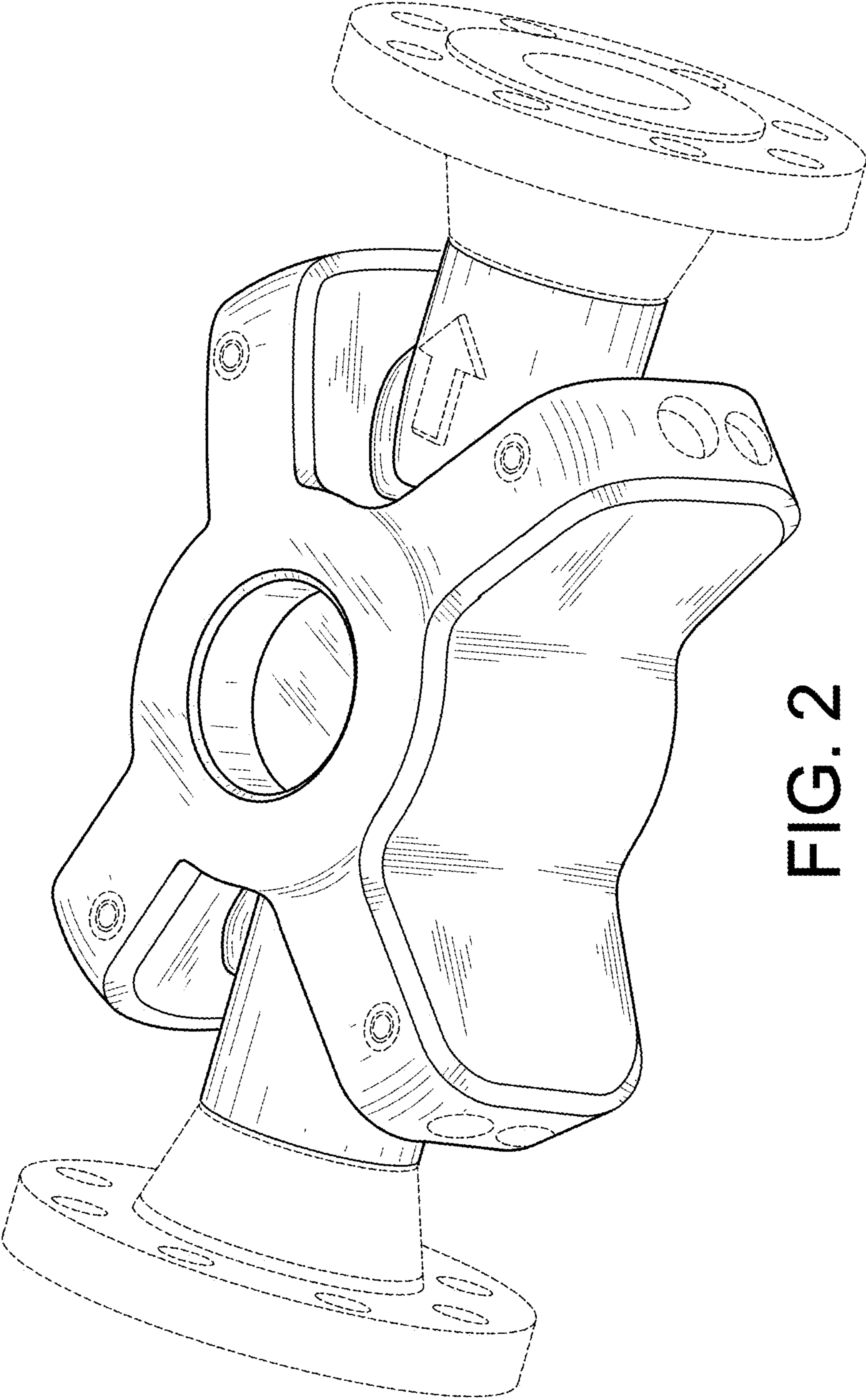


FIG. 2

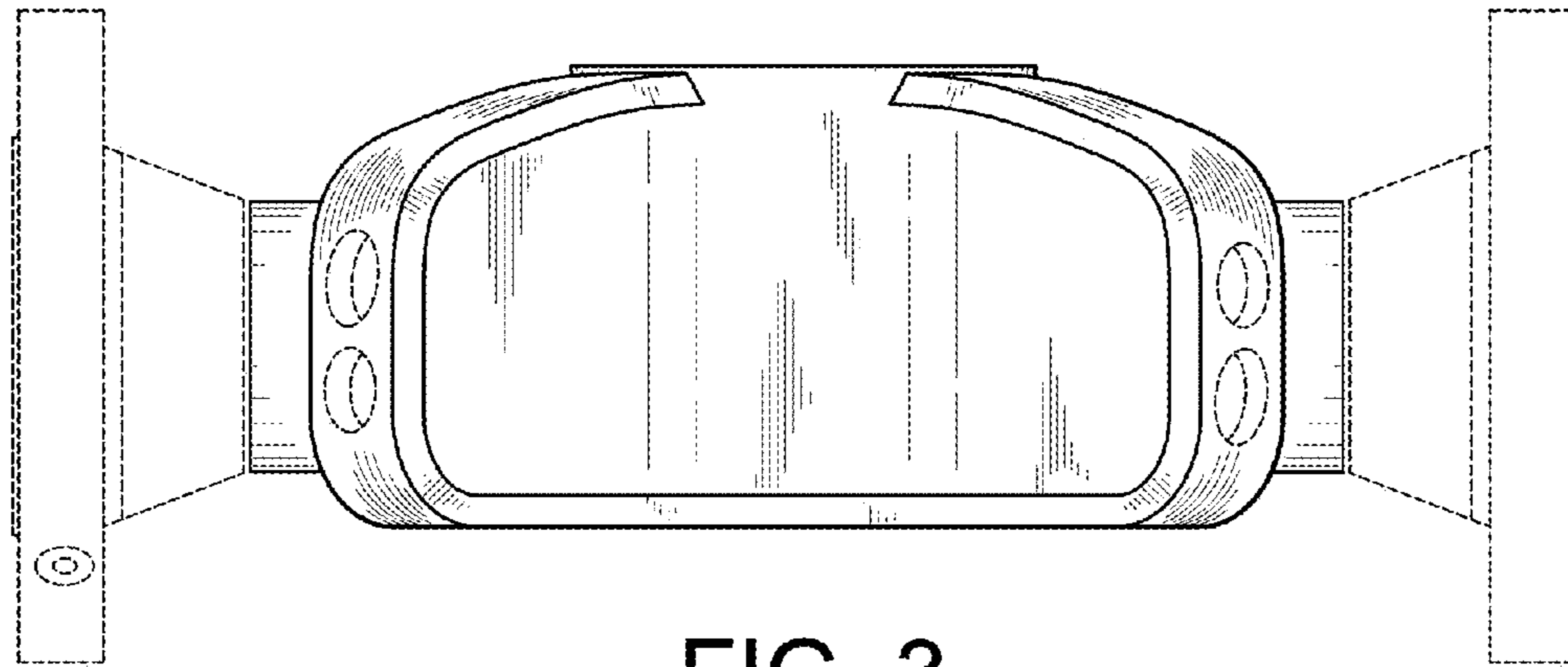


FIG. 3

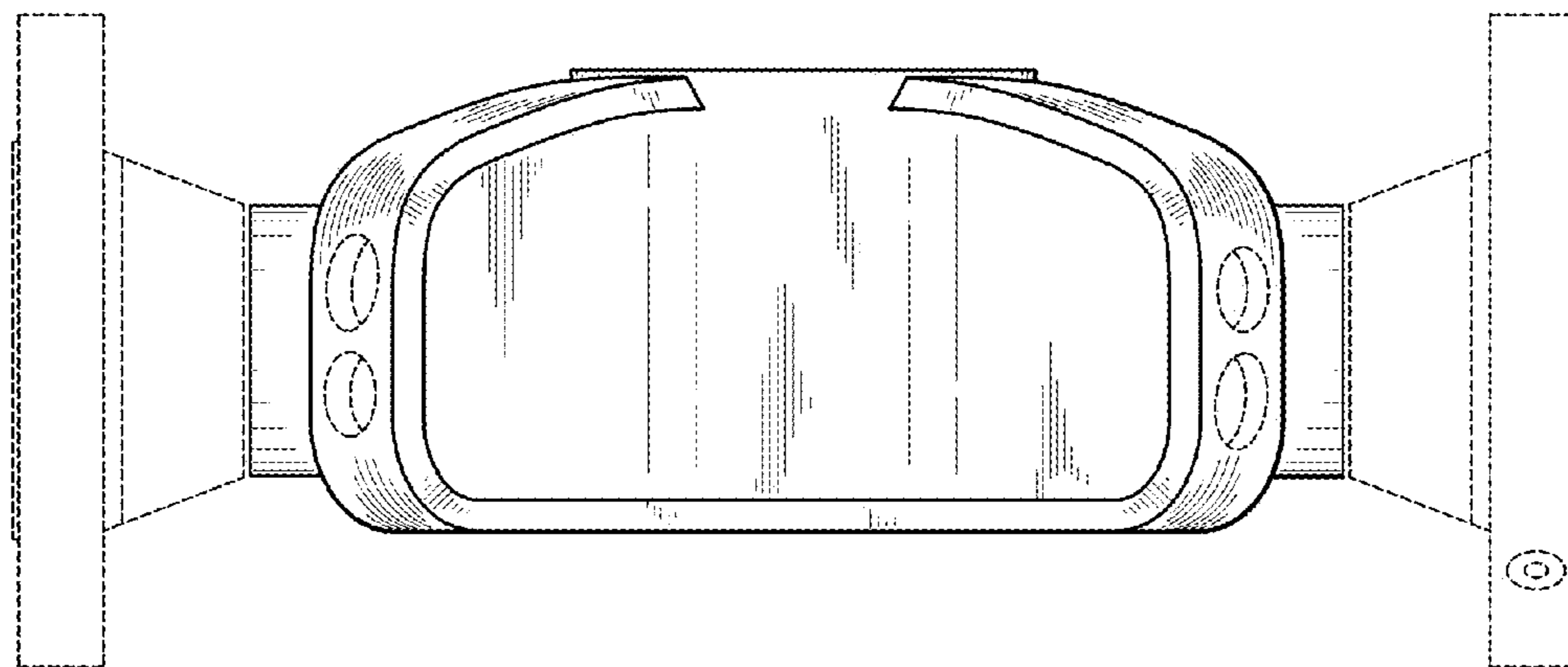


FIG. 4

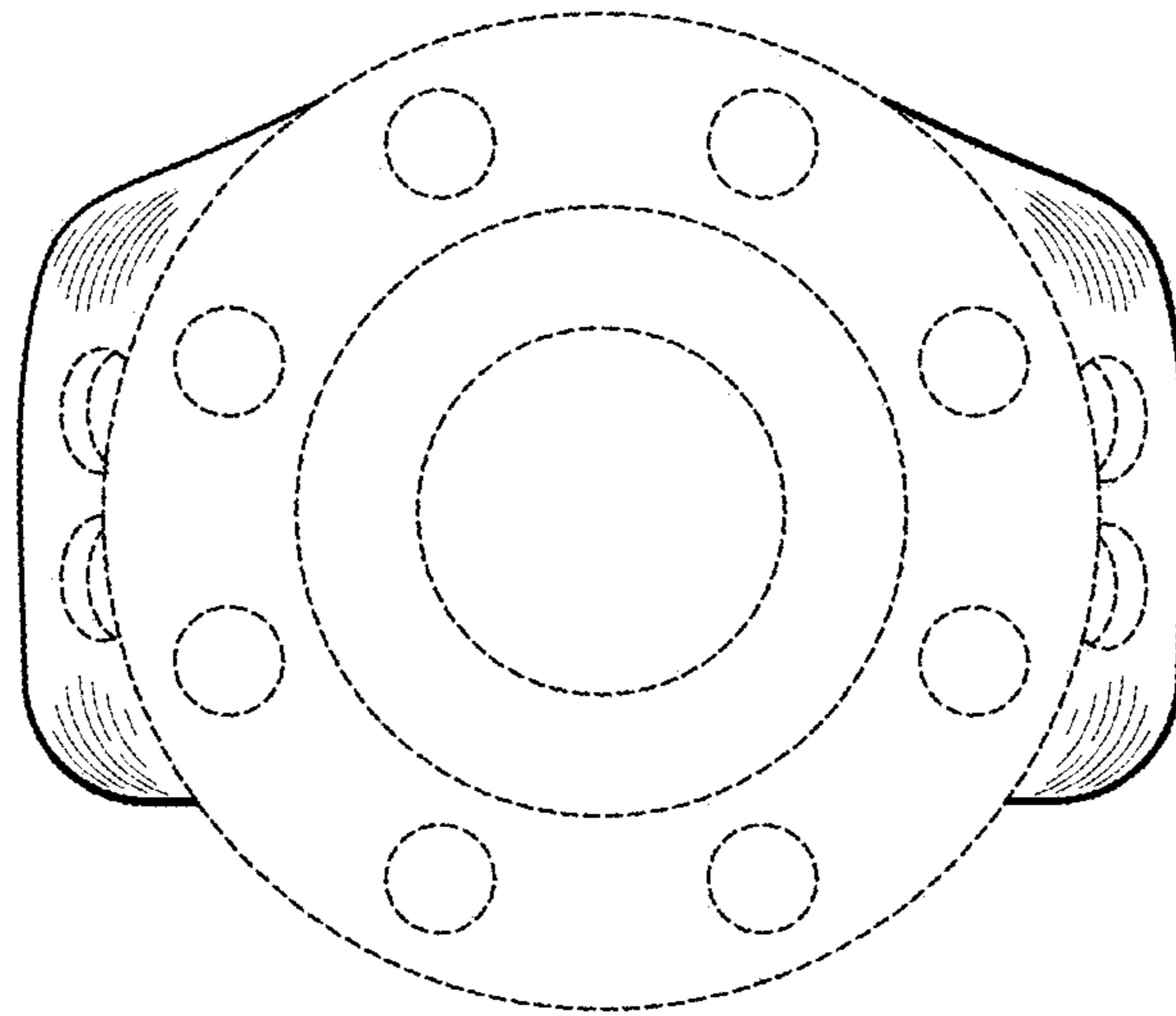


FIG. 5

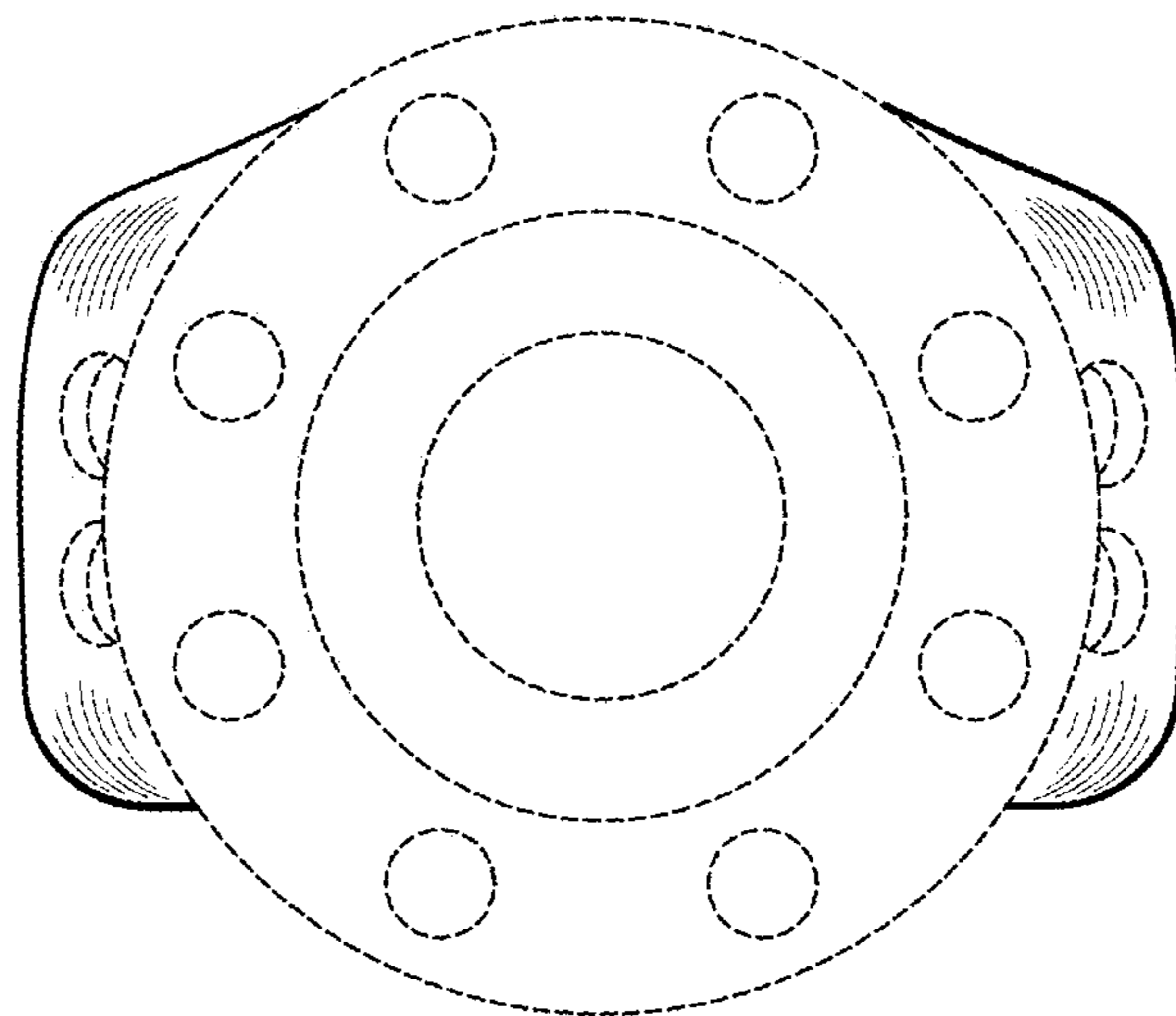


FIG. 6

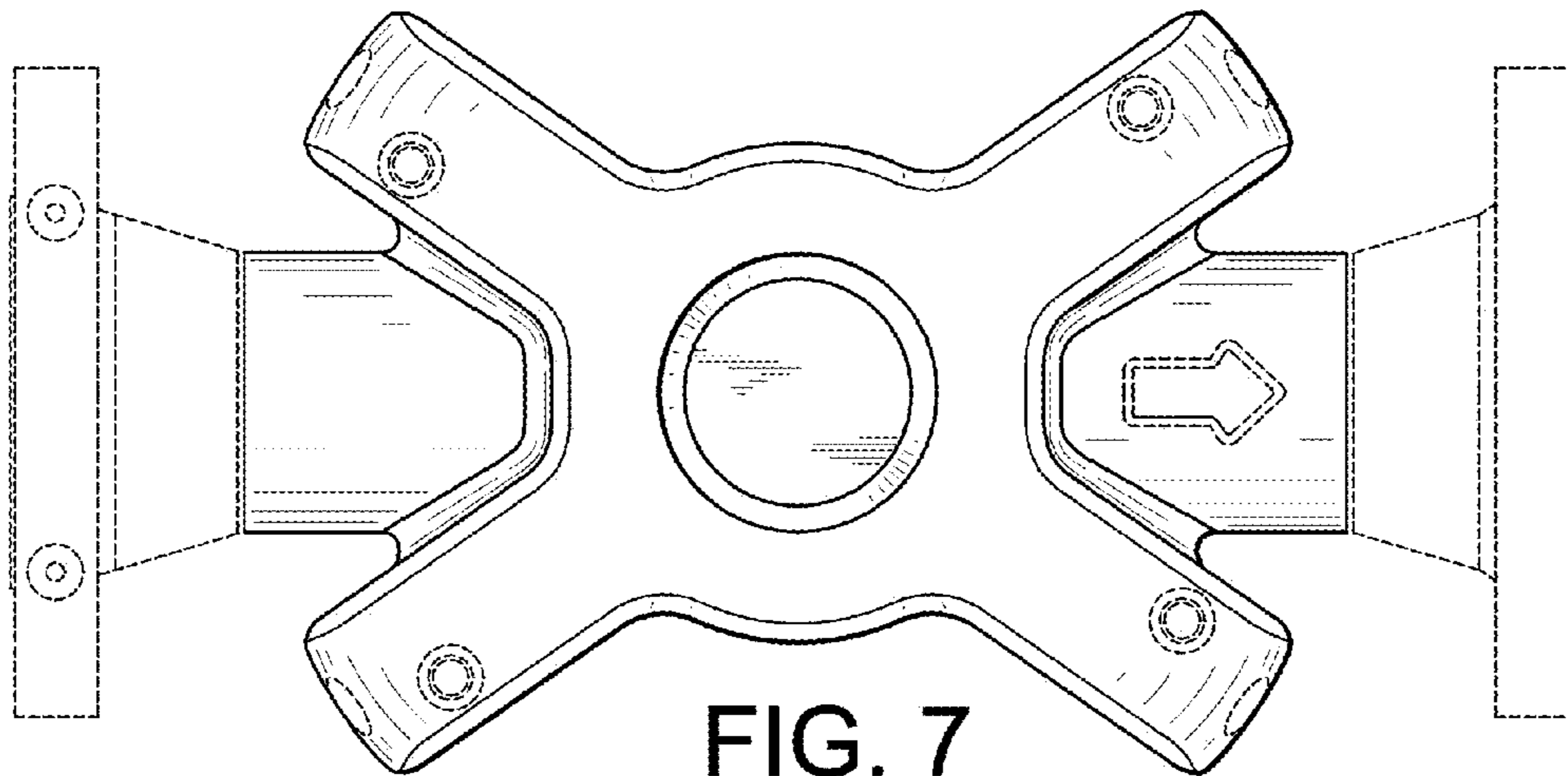


FIG. 7

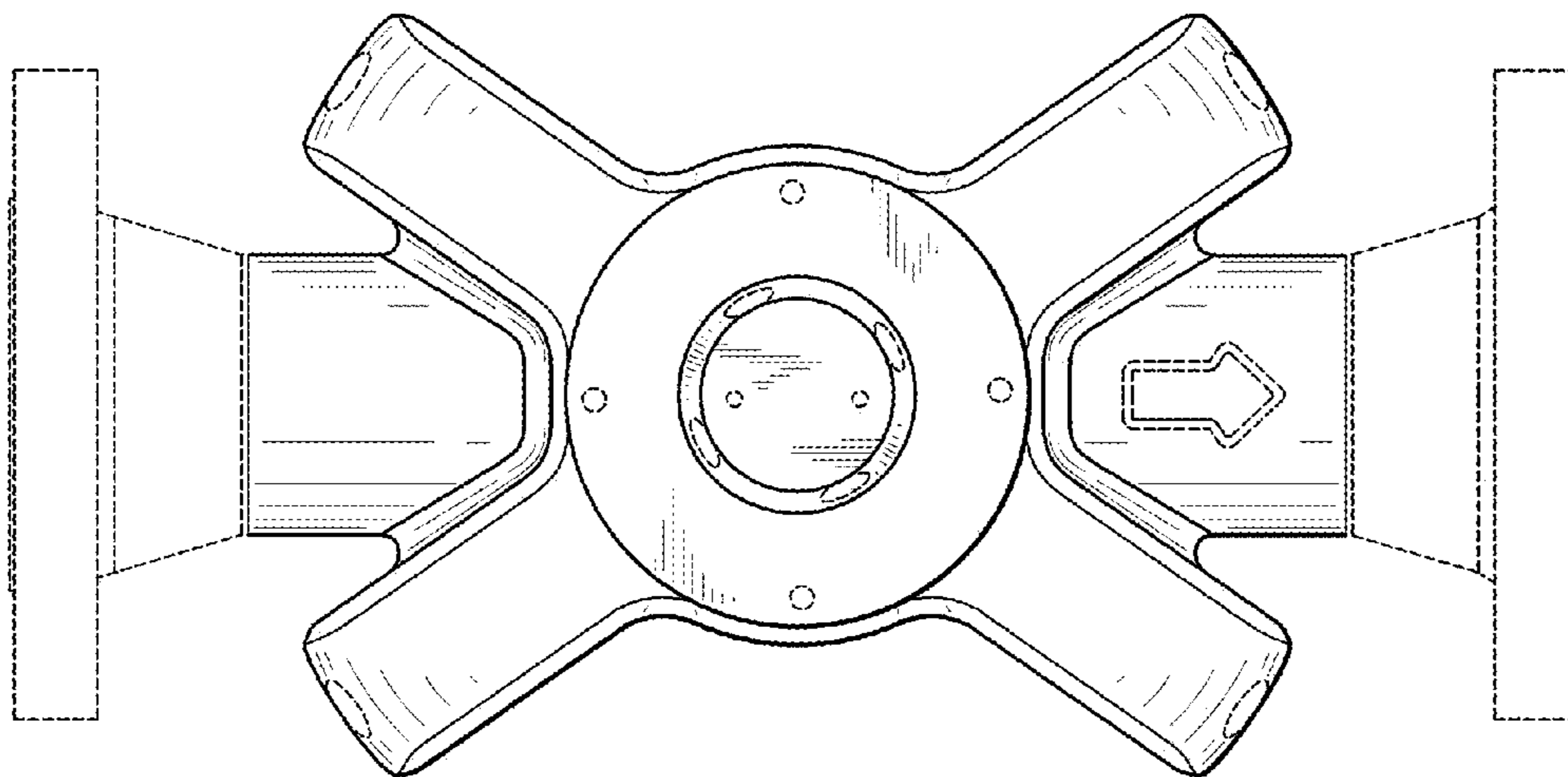


FIG. 8