



US00D689783S

(12) **United States Design Patent**  
**Cleary**

(10) **Patent No.:** **US D689,783 S**

(45) **Date of Patent:** **\*\* Sep. 17, 2013**

(54) **TILE TESTING TOOL**

(76) Inventor: **Katherine I. Cleary**, Lake Worth, FL  
(US)

(\*\*) Term: **14 Years**

(21) Appl. No.: **29/410,844**

(22) Filed: **Jan. 12, 2012**

(51) **LOC (9) Cl.** ..... **10-04**

(52) **U.S. Cl.**  
USPC ..... **D10/89**

(58) **Field of Classification Search**  
USPC ..... D10/46, 89; 177/168-170, 195-196,  
177/225-237

See application file for complete search history.

(56) **References Cited**

**U.S. PATENT DOCUMENTS**

D575,179 S \* 8/2008 Thybulle ..... D10/89

\* cited by examiner

*Primary Examiner* — Antoine D Davis

(74) *Attorney, Agent, or Firm* — McHale & Slavin, P.A.

(57) **CLAIM**

The ornamental design for a tile testing tool, as shown and described.

**DESCRIPTION**

FIG. 1 is a perspective view of the tile testing tool of the instant invention;

FIG. 2 is a left side view thereof, the right side view (not shown) forming a mirror image thereof;

FIG. 3 is a front view thereof;

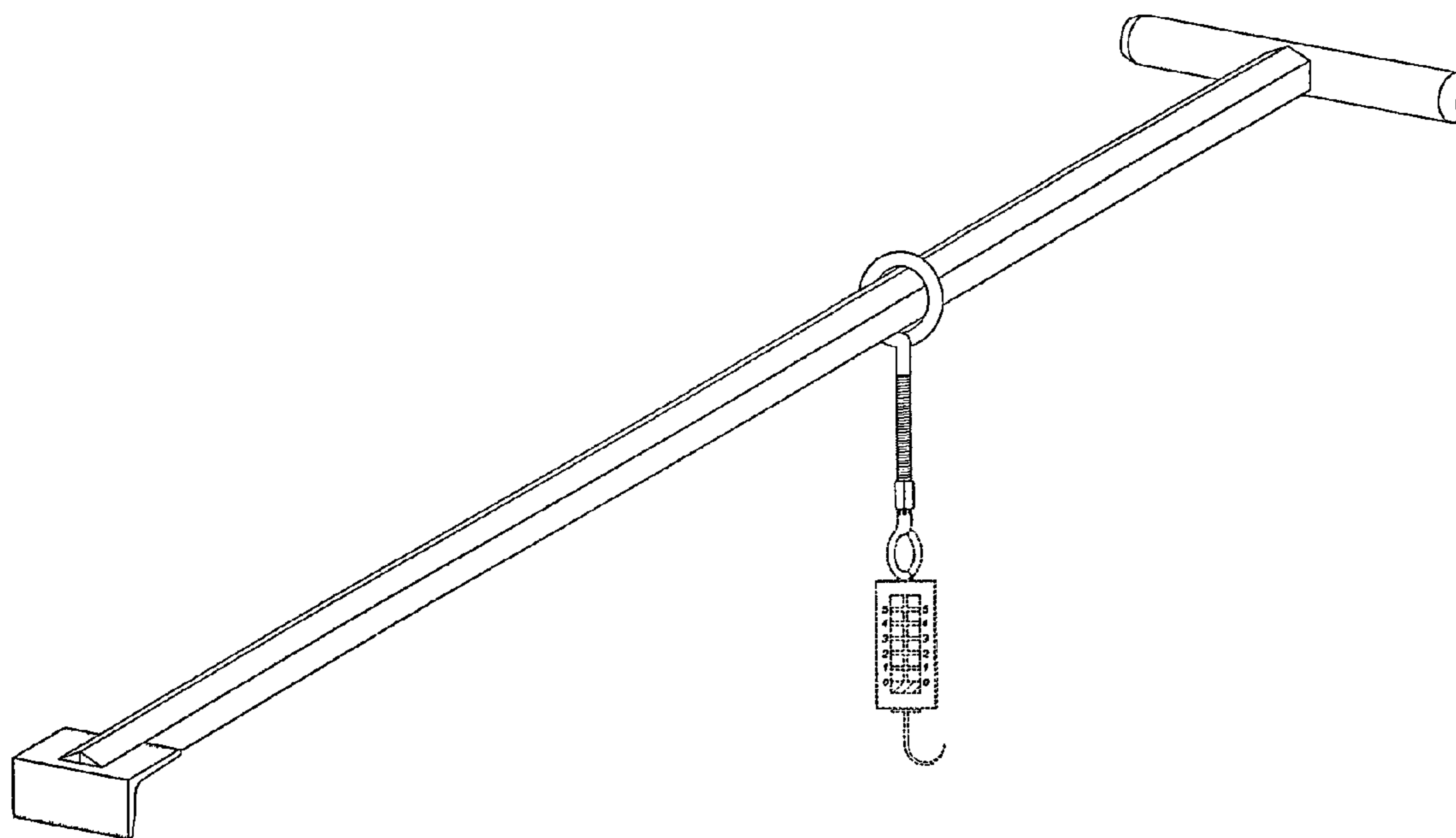
FIG. 4 is a back view thereof;

FIG. 5 is a top view thereof; and,

FIG. 6 is a bottom view thereof.

The portions of the figures illustrated in broken lines are for illustrative purposes only and form no part of the claimed design.

**1 Claim, 5 Drawing Sheets**



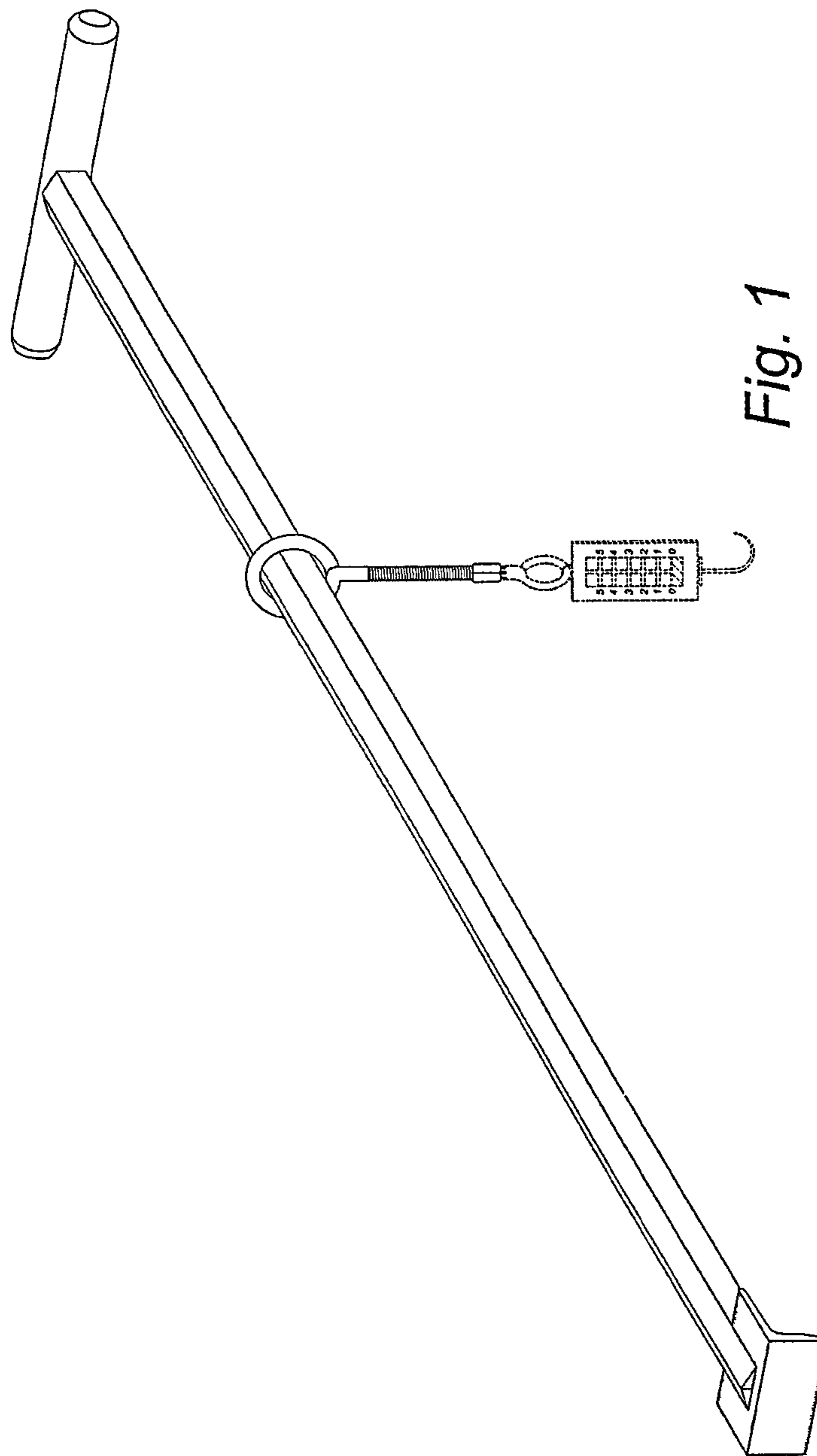


Fig. 1

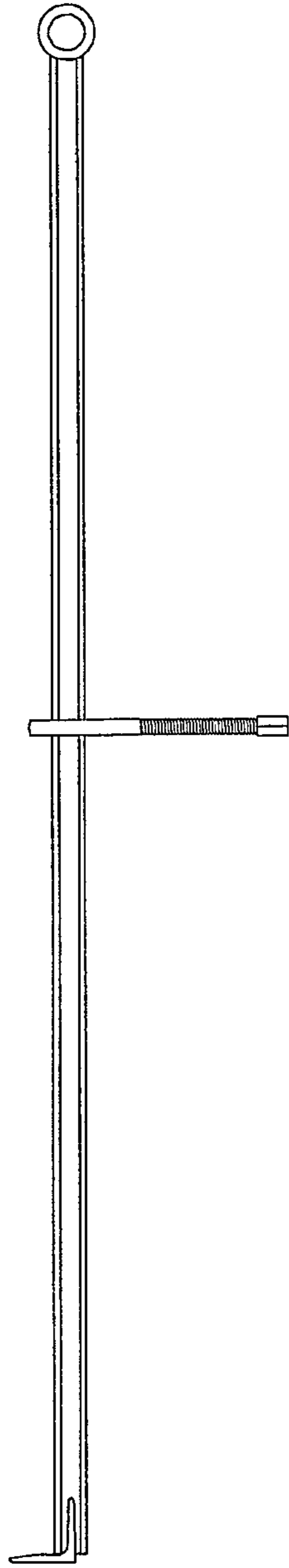


Fig. 2

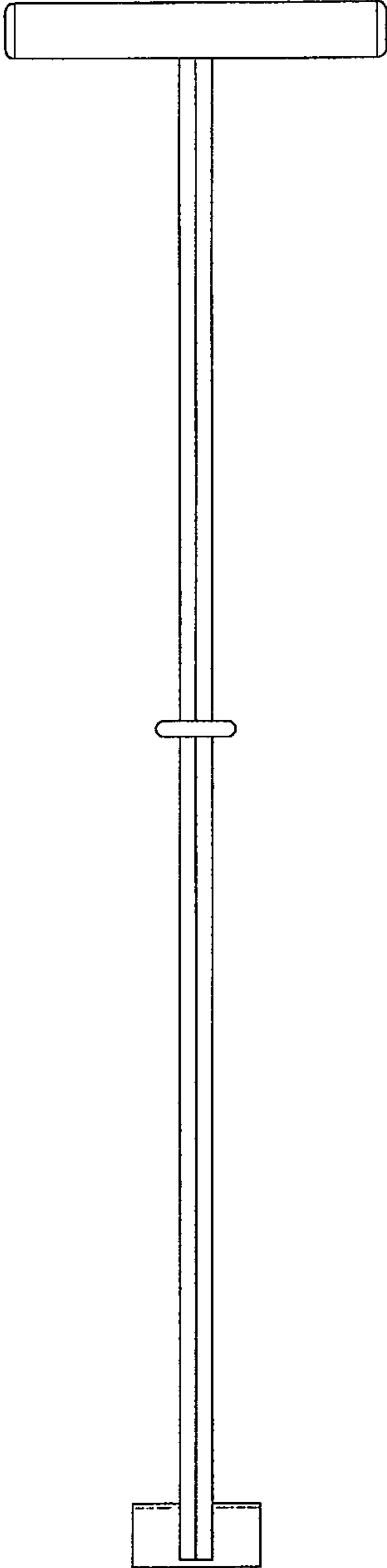


Fig. 3

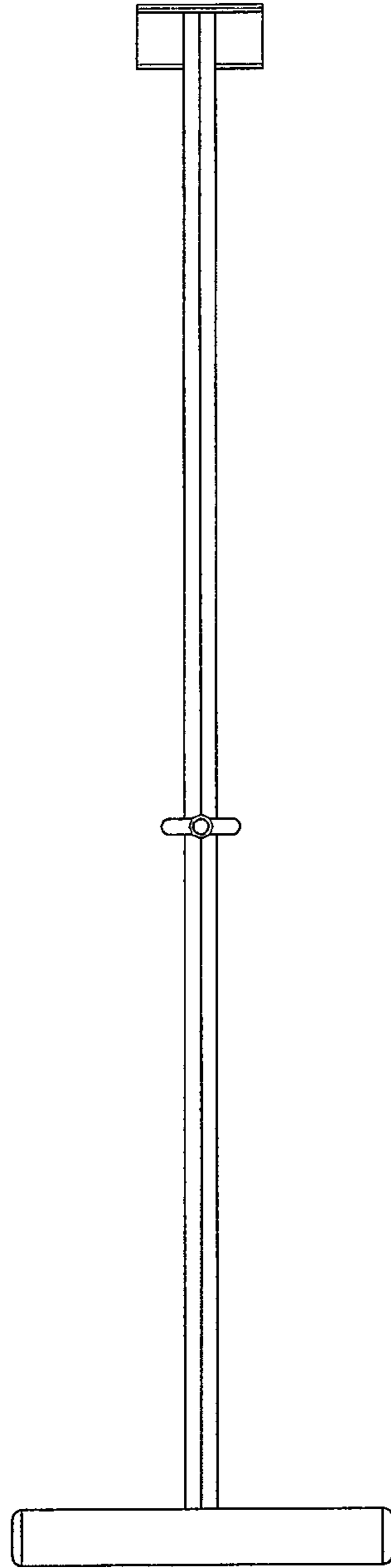


Fig. 4

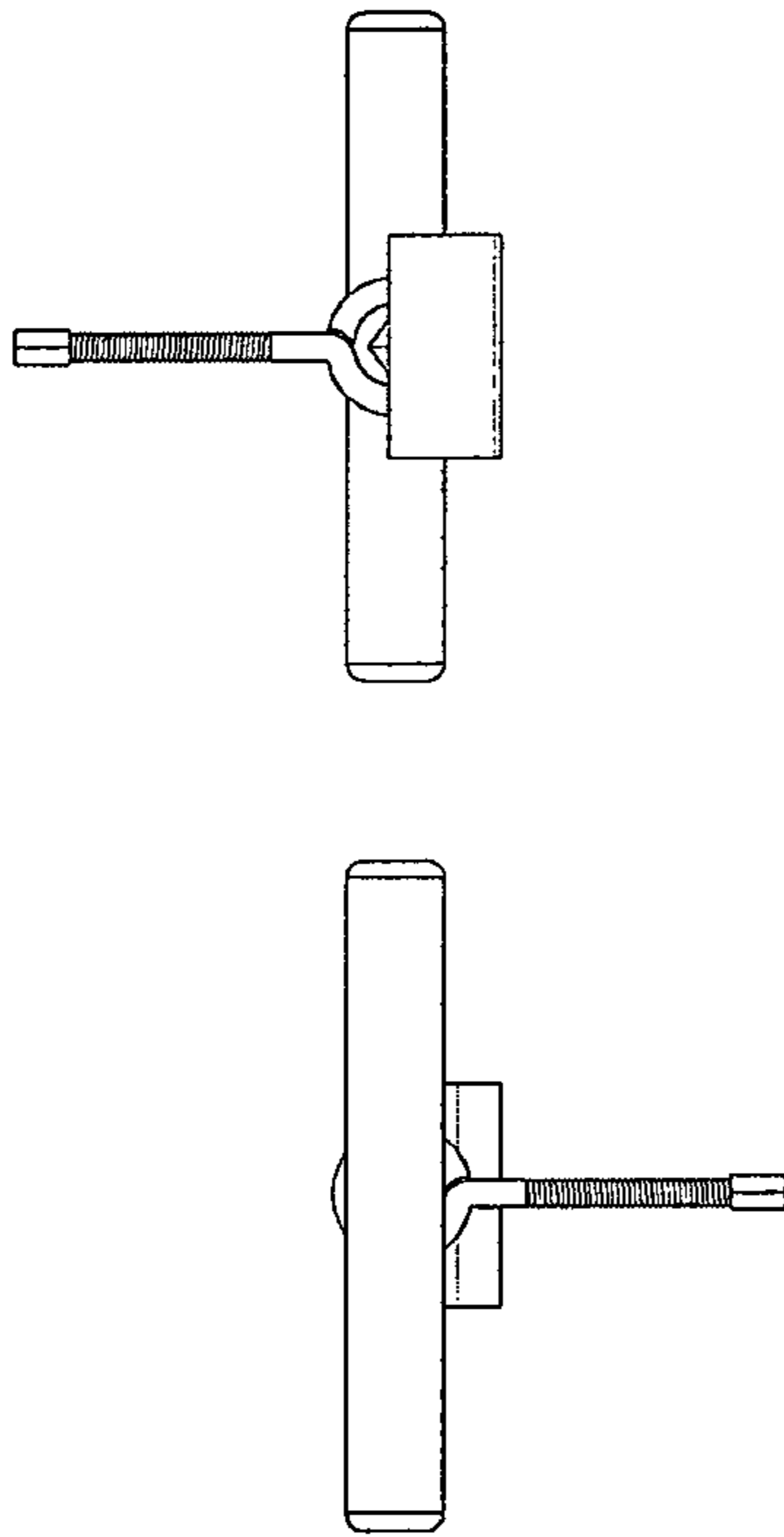


Fig. 5

Fig. 6