



US00D689779S

(12) **United States Design Patent**
Ralph

(10) **Patent No.:** **US D689,779 S**

(45) **Date of Patent:** **** Sep. 17, 2013**

(54) **BOTTLE CARRIER**

(76) Inventor: **Michael Allan Ralph**, St. Catharines
(CA)

(**) Term: **14 Years**

(21) Appl. No.: **29/430,755**

(22) Filed: **Aug. 29, 2012**

(51) **LOC (9) Cl.** **09-03**

(52) **U.S. Cl.**
USPC **D9/753**

(58) **Field of Classification Search**
USPC D9/431, 432, 737, 761, 749-755;
229/117.14, 117.09, 117.12, 904, 406, 407;
206/162, 198, 199, 147, 193, 194, 427, 216,
206/163, 167, 169, 175, 541, 549, 446, 200,
206/203, 217, 510, 564; 220/755, 757;
211/126.16, 74, 199, 162, 459.5, 562, 141,
211/158, 203, 510; 283/56; 224/148.4;
D3/309; D7/706

See application file for complete search history.

(56) **References Cited**

U.S. PATENT DOCUMENTS

D160,608 S	10/1950	Jones et al.	
2,759,629 A	8/1956	Sargent	
2,821,327 A	1/1958	Glazer	
3,055,543 A	9/1962	Russo	
D194,985 S	4/1963	Rifkind et al.	
3,339,796 A *	9/1967	Struble	206/200
3,352,451 A *	11/1967	Struble	206/200
D210,930 S *	5/1968	Box	D3/309
3,587,915 A	6/1971	Reiner et al.	
3,744,704 A *	7/1973	Struble	206/194
3,891,084 A *	6/1975	Elizondo-Garcia	206/143
D237,686 S *	11/1975	Torokvei	D3/309
3,991,879 A	11/1976	Hirota	
4,204,596 A	5/1980	Davis	
D259,099 S *	5/1981	Davis	D3/309

4,342,388 A	8/1982	Torokvei et al.	
D274,573 S *	7/1984	Torokvei	D3/309
D280,773 S	9/1985	Addy et al.	
D296,082 S *	6/1988	Waters, Jr.	D9/455
5,481,825 A	1/1996	Aoyama	
D405,006 S *	2/1999	Spencer	D9/753
D536,993 S *	2/2007	Armstrong et al.	D9/753
D655,207 S *	3/2012	D'Agostino	D9/753
D664,044 S *	7/2012	Robertson	D9/753

FOREIGN PATENT DOCUMENTS

DE	4020919	1/1992
DE	9312895 U	7/1994
DE	102004019437	11/2005
GB	191303843	12/1913
GB	834047	5/1960
JP	H092525	1/1997
JP	H10310175	11/1998
NL	9200862	12/1993

* cited by examiner

Primary Examiner — Mark Goodwin

(74) *Attorney, Agent, or Firm* — Dickinson Wright PLLC

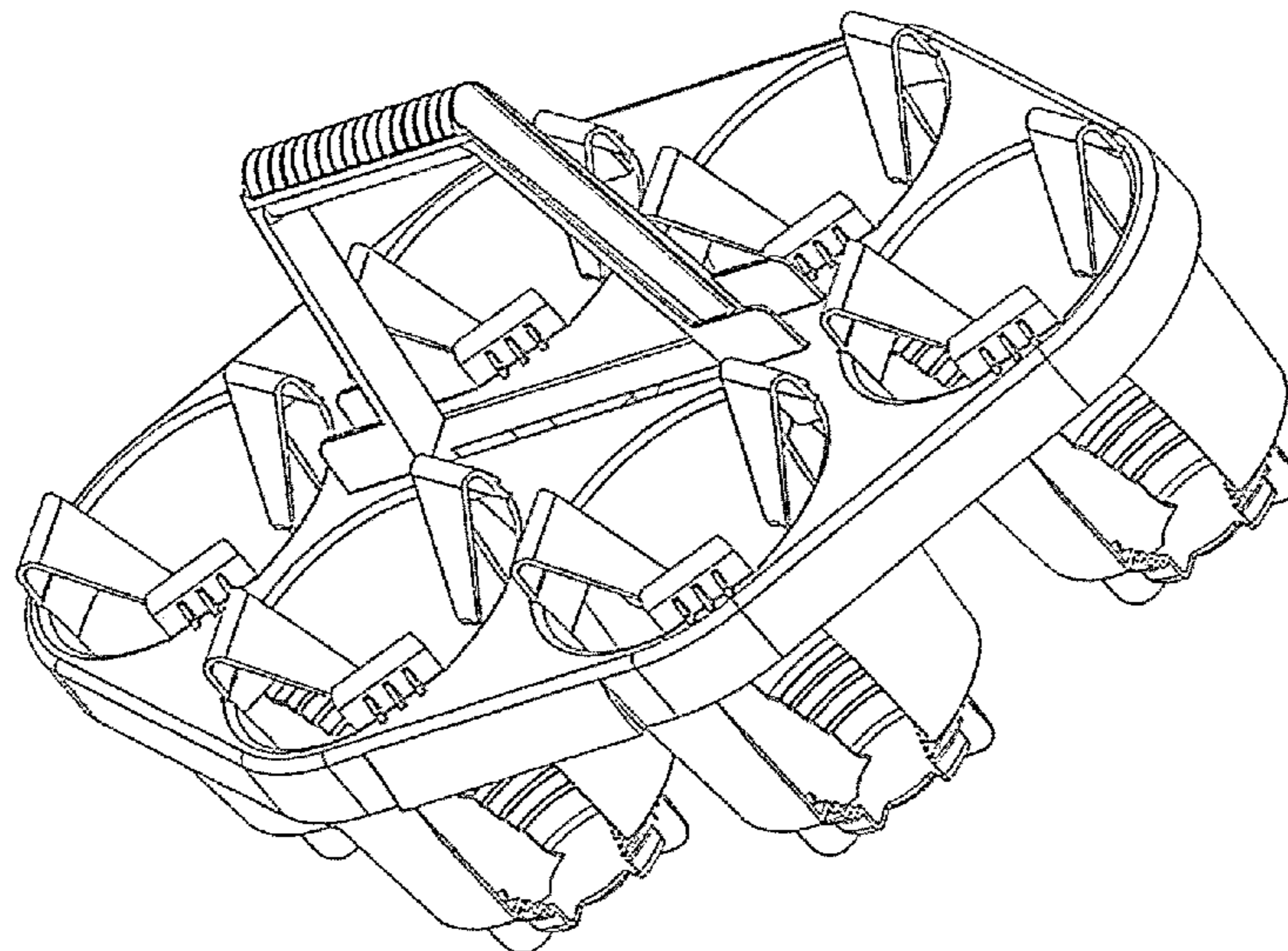
(57) **CLAIM**

The ornamental design for the bottle carrier, as shown and described.

DESCRIPTION

FIG. 1 is a front view of the bottle carrier according to the present invention;
FIG. 2 is a back view of the bottle carrier of FIG. 1;
FIG. 3 is a right side view of the bottle carrier of FIG. 1;
FIG. 4 is a left side view of the bottle carrier of FIG. 1;
FIG. 5 is a top plan view of the bottle carrier of FIG. 1;
FIG. 6 is a bottom plan view of the bottle carrier of FIG. 1;
FIG. 7 is a top perspective view of the bottle carrier of FIG. 1;
and,
FIG. 8 is a bottom perspective view of the bottle carrier of FIG. 1.

1 Claim, 8 Drawing Sheets



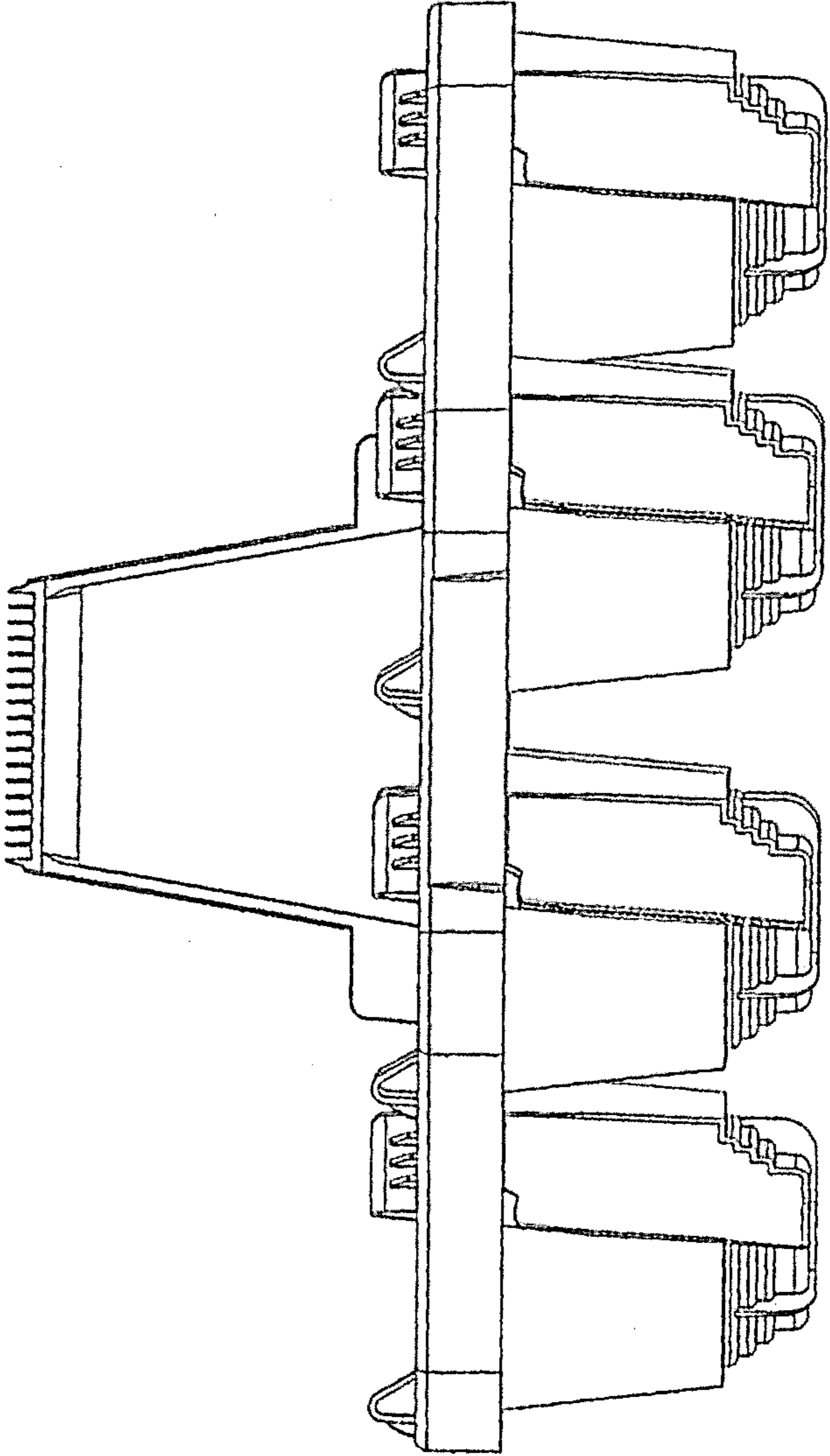


FIG. 1

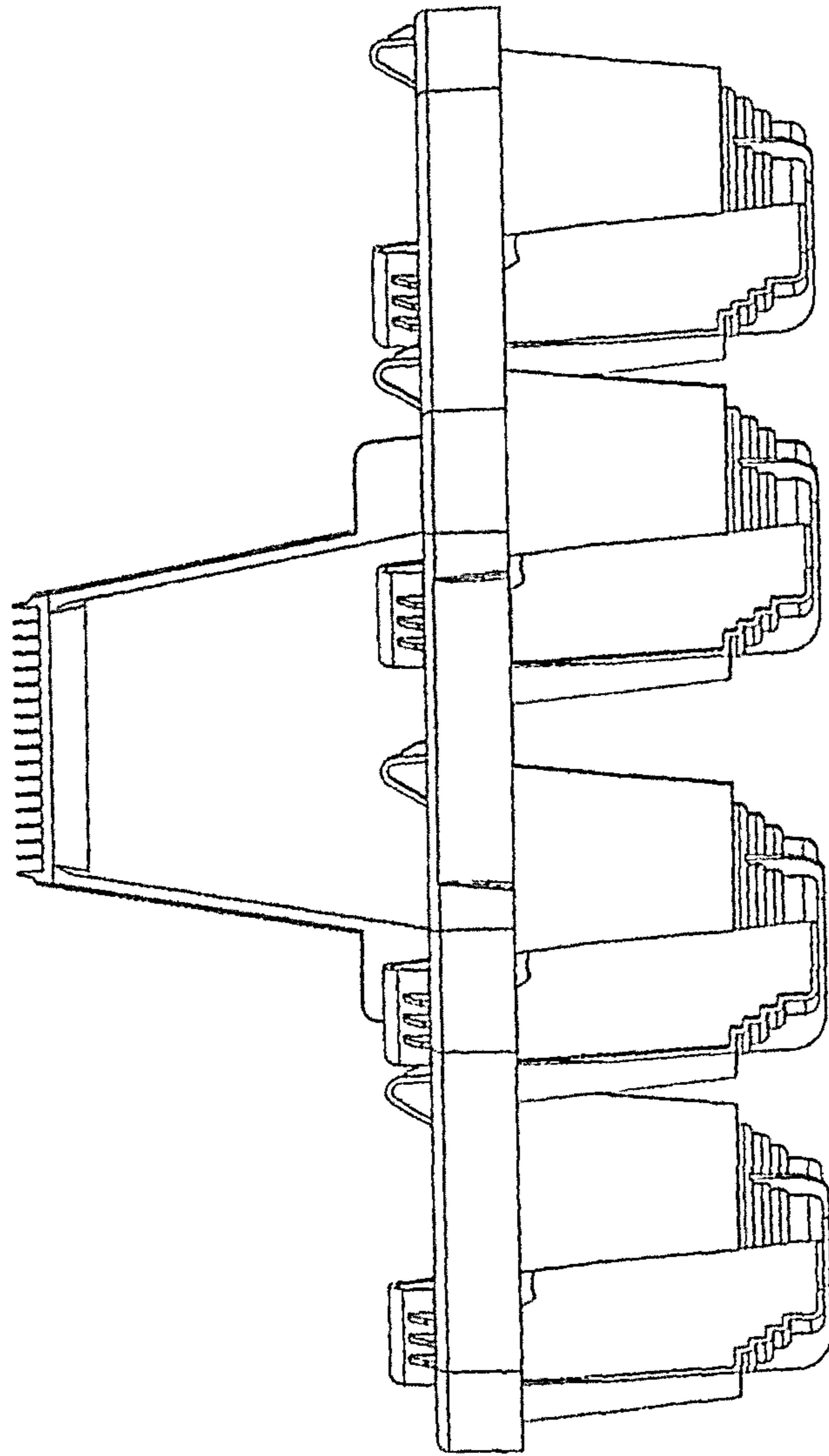


FIG. 2

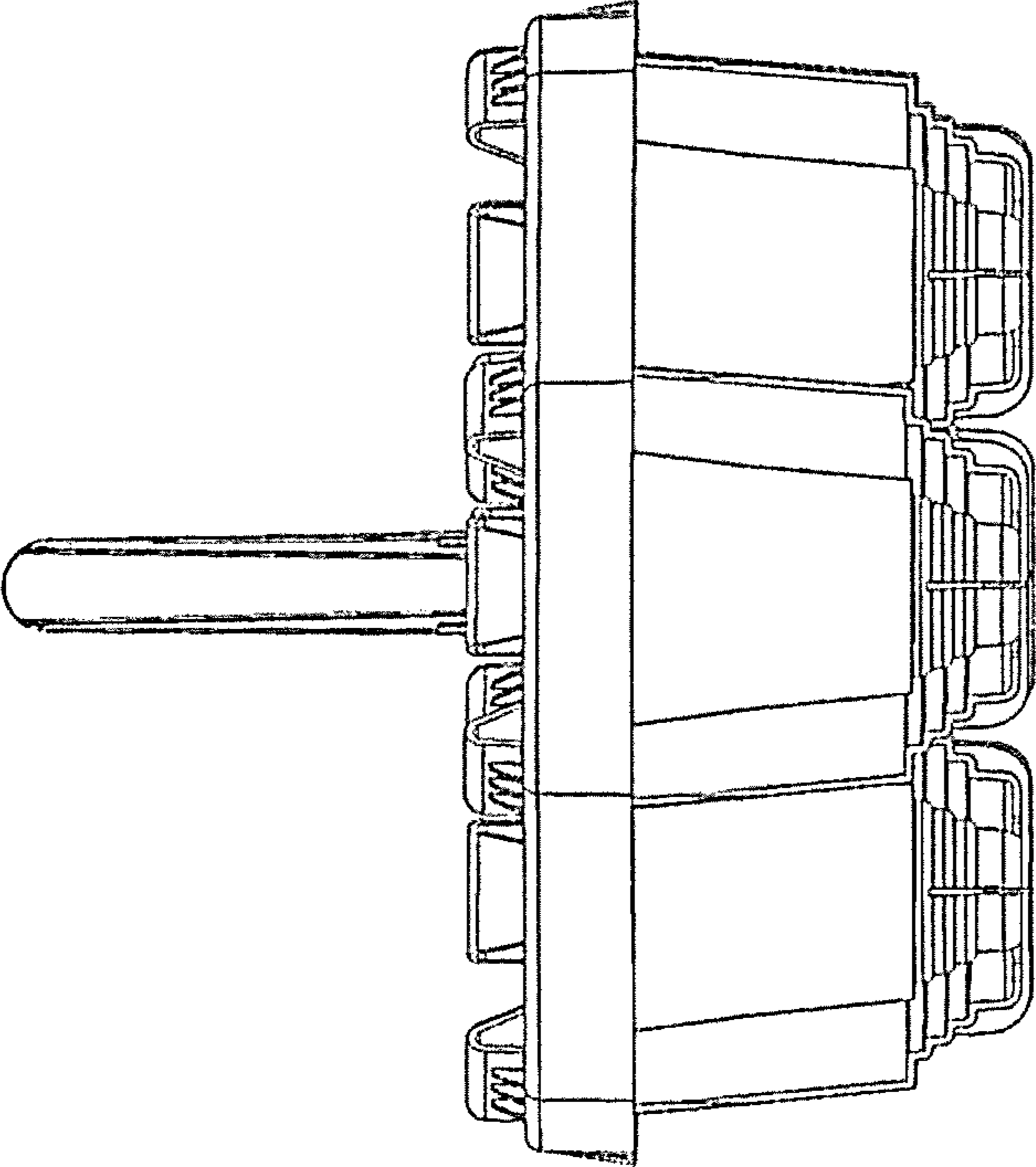


FIG. 3

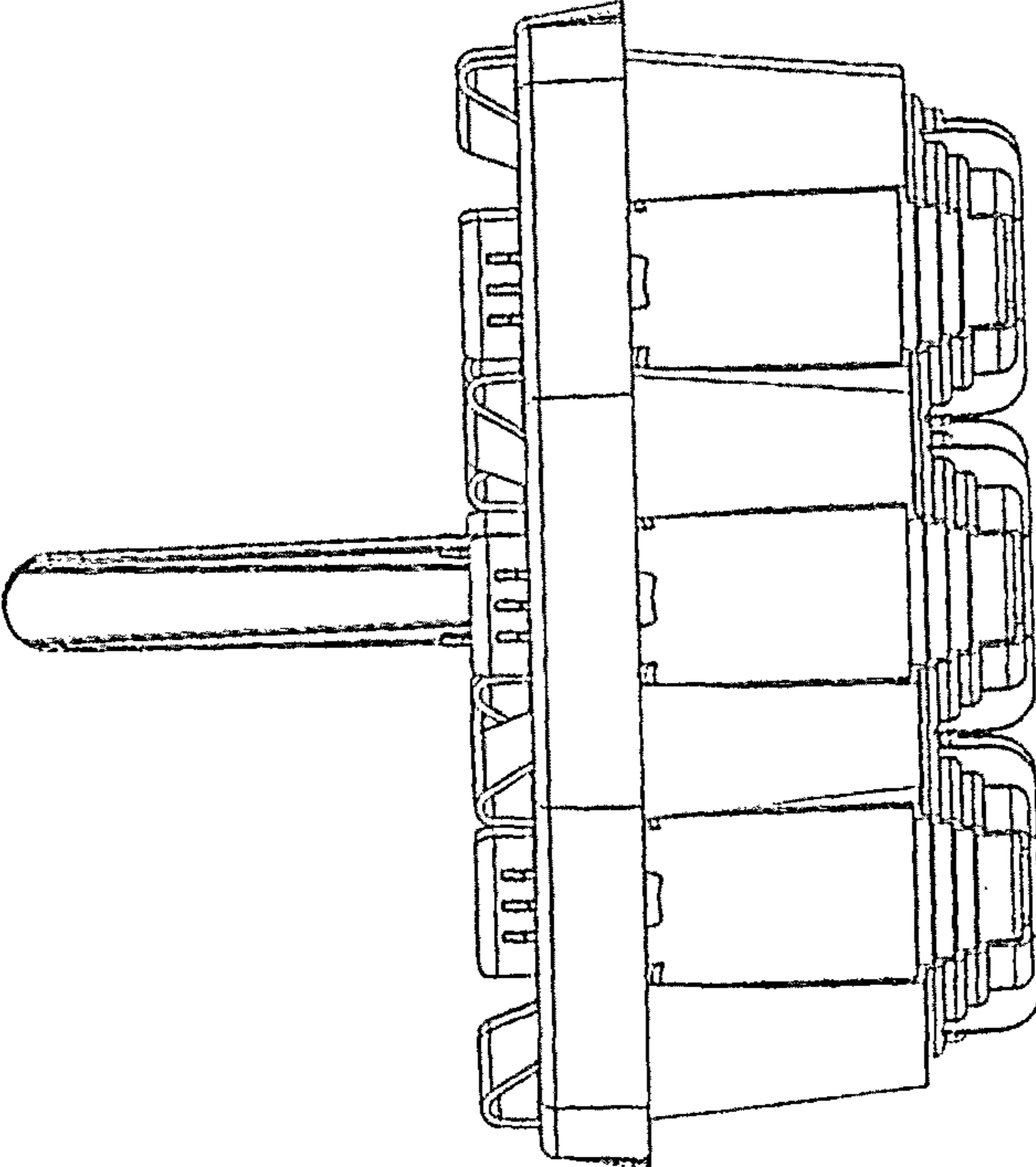


FIG. 4

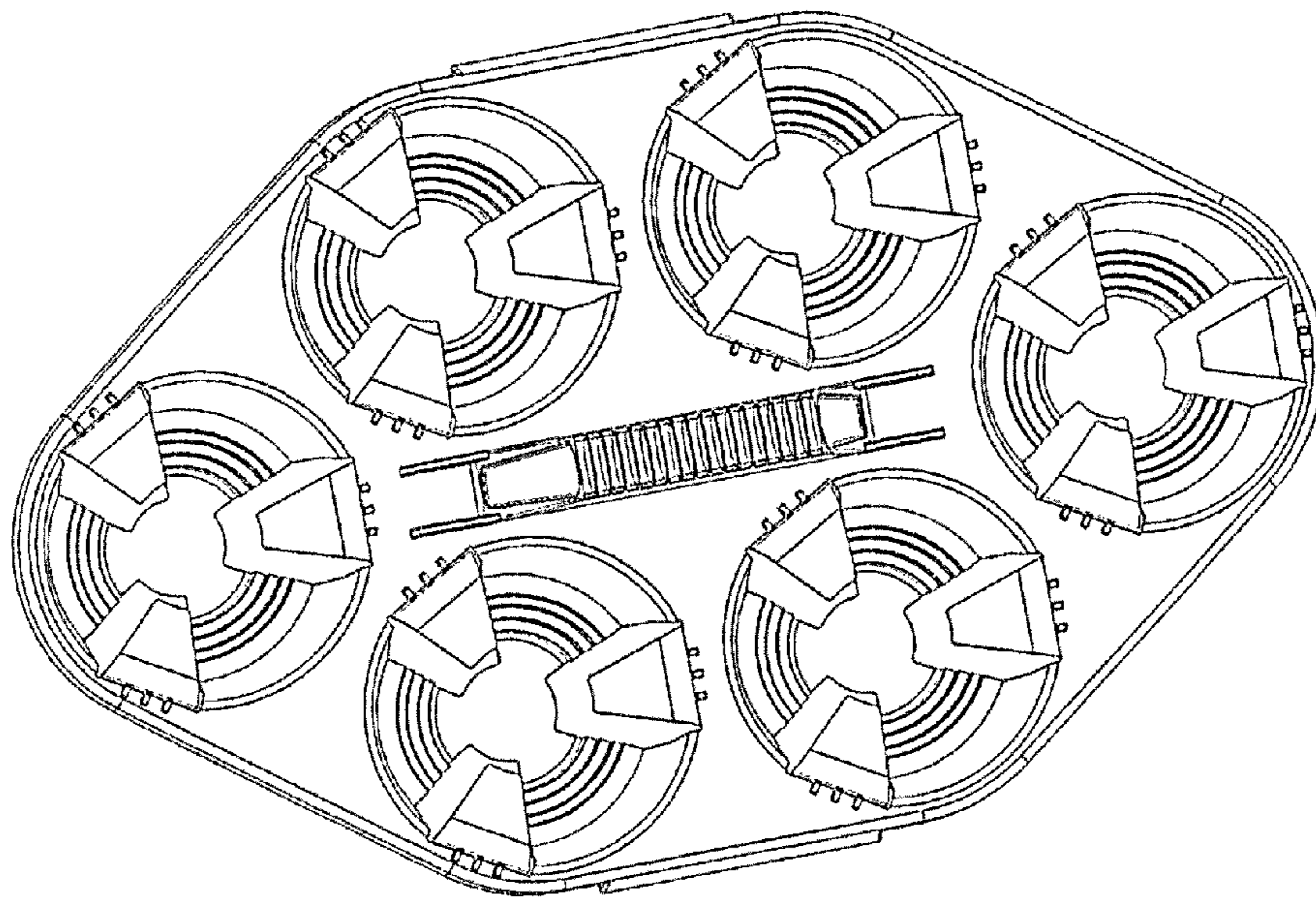


FIG. 5

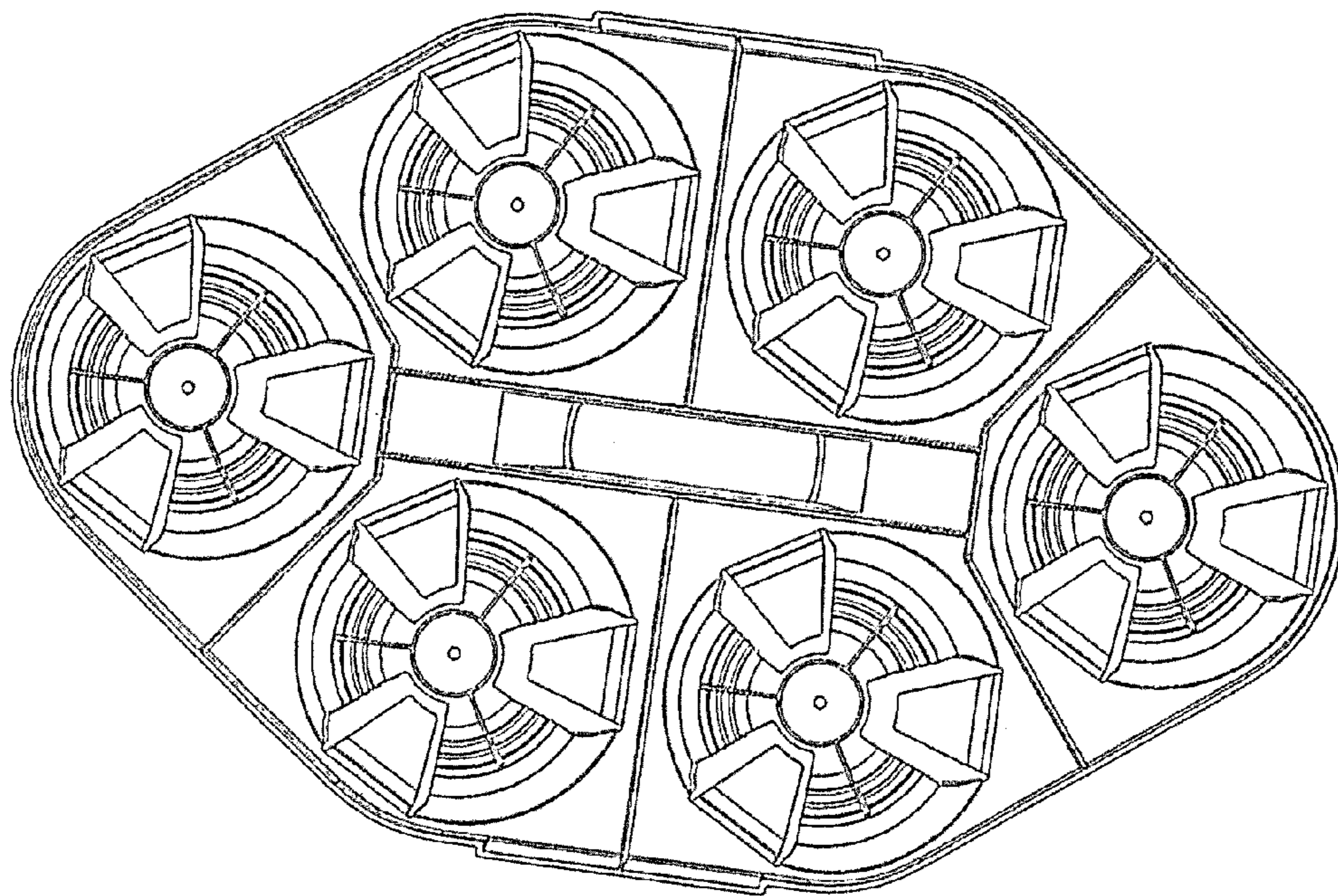


FIG. 6

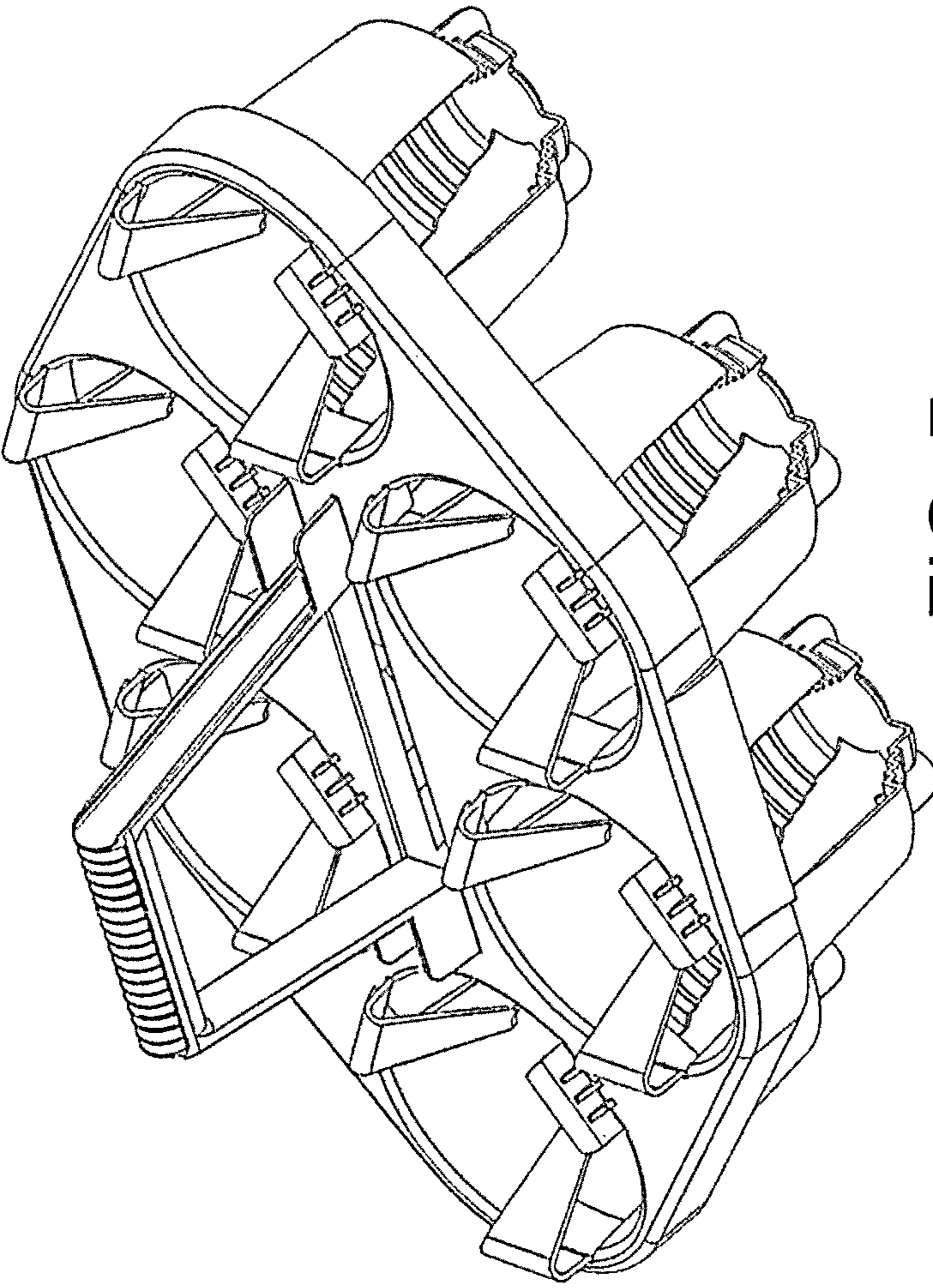


FIG. 7

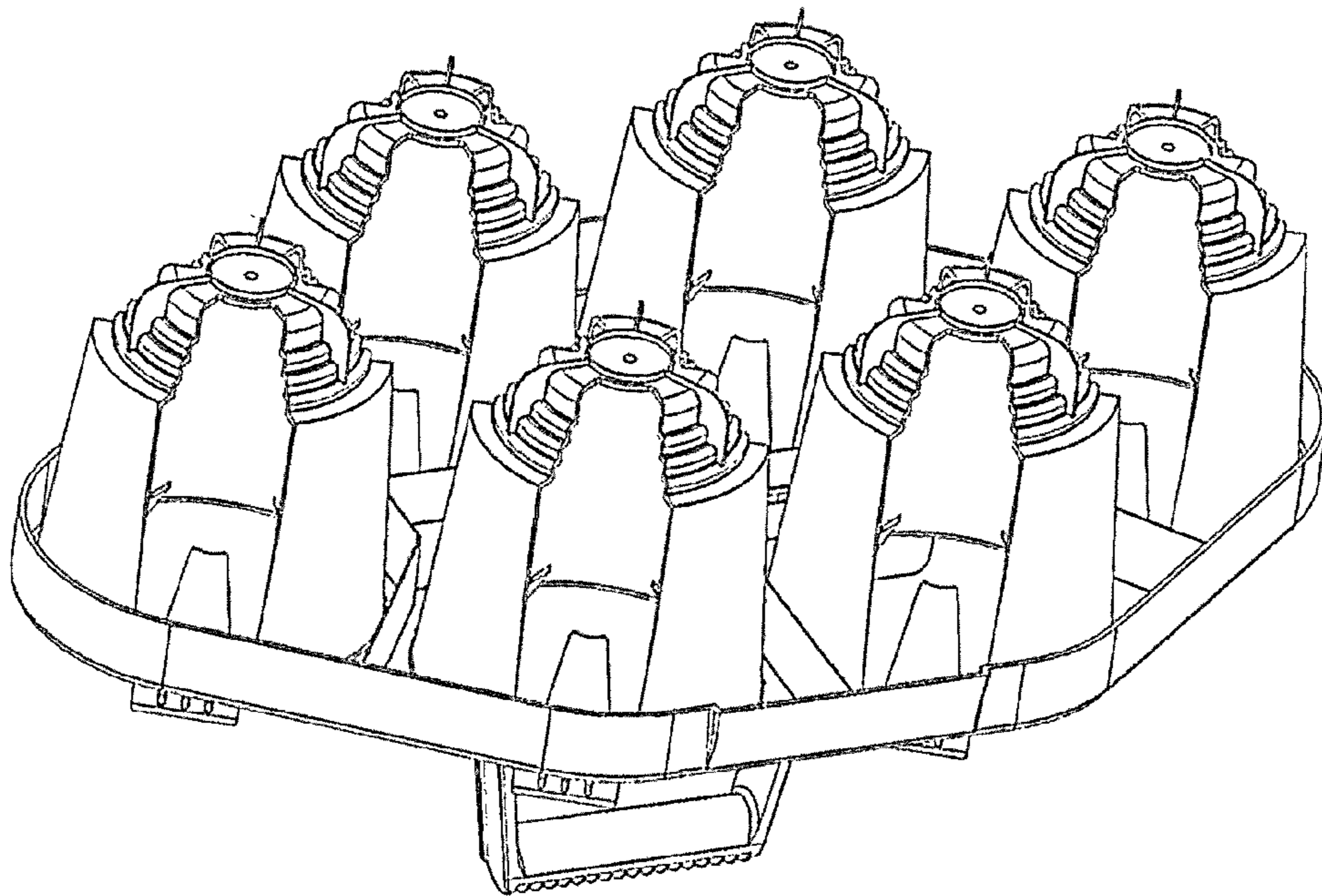


FIG. 8