



US00D689777S

(12) **United States Design Patent**  
**Castaing**

(10) **Patent No.:** **US D689,777 S**  
(45) **Date of Patent:** **\*\* Sep. 17, 2013**

(54) **STORAGE BOX**

(71) Applicant: **Ceva Sante Animale**, Libourne (FR)  
(72) Inventor: **Jean-Francois Castaing**, Beguey (FR)  
(73) Assignee: **Ceva Sante Animale**, Libourne (FR)  
(\*\*) Term: **14 Years**

(21) Appl. No.: **29/439,070**

(22) Filed: **Dec. 6, 2012**

(30) **Foreign Application Priority Data**

Jul. 19, 2012 (EP) ..... 002076331-0001

(51) **LOC (9) Cl.** ..... **09-05**

(52) **U.S. Cl.**  
USPC ..... **D9/711**

(58) **Field of Classification Search**

USPC ..... D9/702-714, 415, 414, 424, 430,  
D9/432; D3/20, 201-202, 304-315; D6/553,  
D6/514, 567, 329, 657, 336, 653, 653.1, 654,  
D6/667, 672, 675, 677, 682.1, 683, 683.1;  
206/214, 436, 290, 426, 425, 775-783; 211/12,  
211/85.1-85.14, 85.15, 85.17; 312/351.1,  
312/351.4; 220/476, 500, 507, 524;  
D7/614-615, 701

See application file for complete search history.

(56) **References Cited**

U.S. PATENT DOCUMENTS

D318,568 S *	7/1991	Håkansson .....	D3/283
D340,803 S *	11/1993	Bradford et al. ....	D3/283
D345,071 S *	3/1994	Gould .....	D6/571
D362,135 S *	9/1995	Wilson et al. ....	D6/470
D402,838 S *	12/1998	Sherbet .....	D6/515
D437,719 S *	2/2001	Dicellis .....	D6/571
D526,512 S *	8/2006	Hahn .....	D6/476
D571,590 S *	6/2008	DeMartino .....	D6/515
D653,475 S *	2/2012	Thompson .....	D6/437

\* cited by examiner

*Primary Examiner* — Caron D Veynar

*Assistant Examiner* — Abraham Bahta

(74) *Attorney, Agent, or Firm* — David D. Brush; Westman, Champlin & Kelly, P.A.

(57) **CLAIM**

The ornamental design for a storage box, as shown and described.

**DESCRIPTION**

Reference is hereby made to co-filed U.S. Design patent application Ser. No. 29/439,071, filed Dec. 6, 2012, entitled "Storage Box".

FIG. 1 is a top front perspective view of a storage box;

FIG. 2 is a front view thereof;

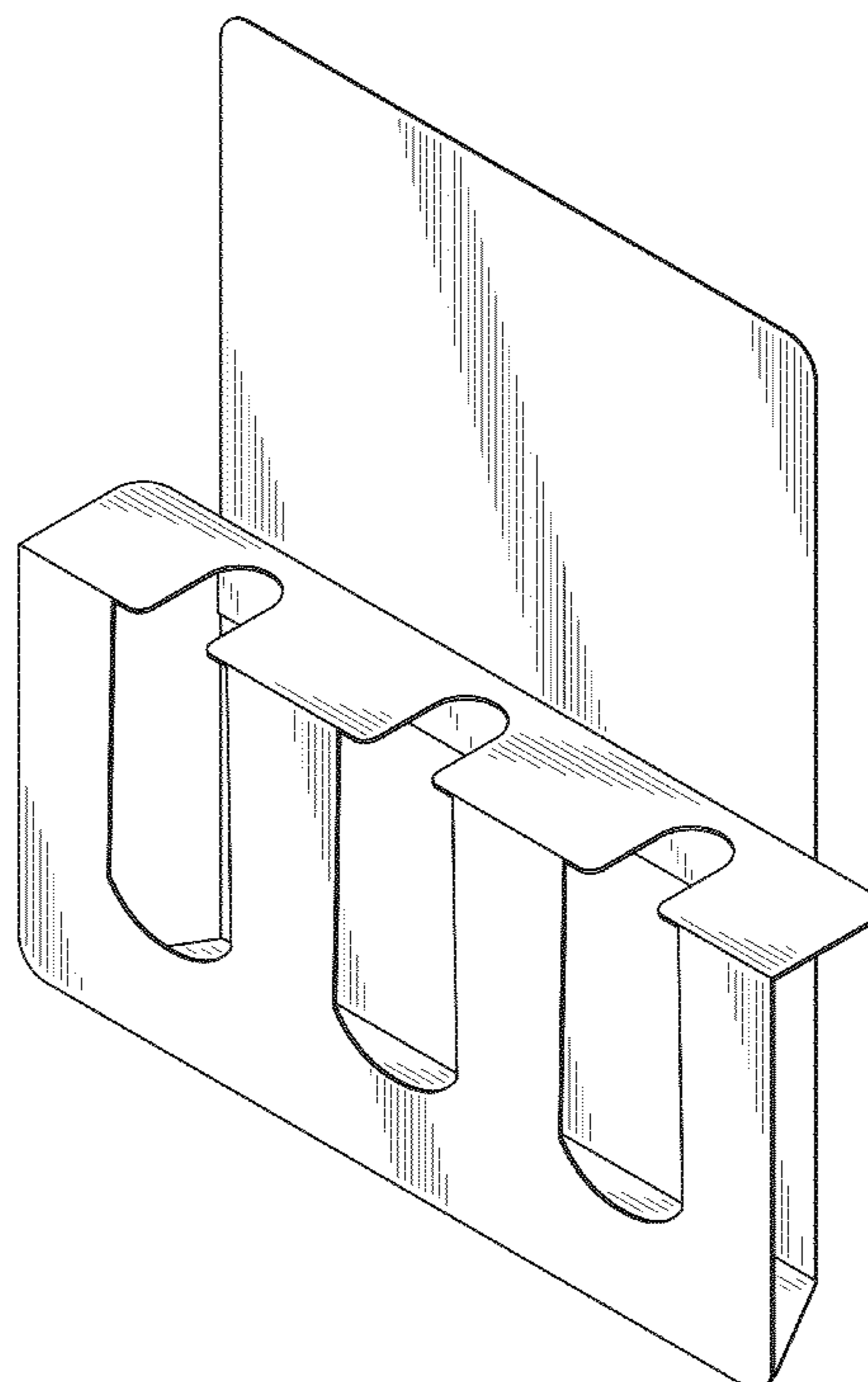
FIG. 3 is a left side view thereof, the right side being a mirror image of the left side;

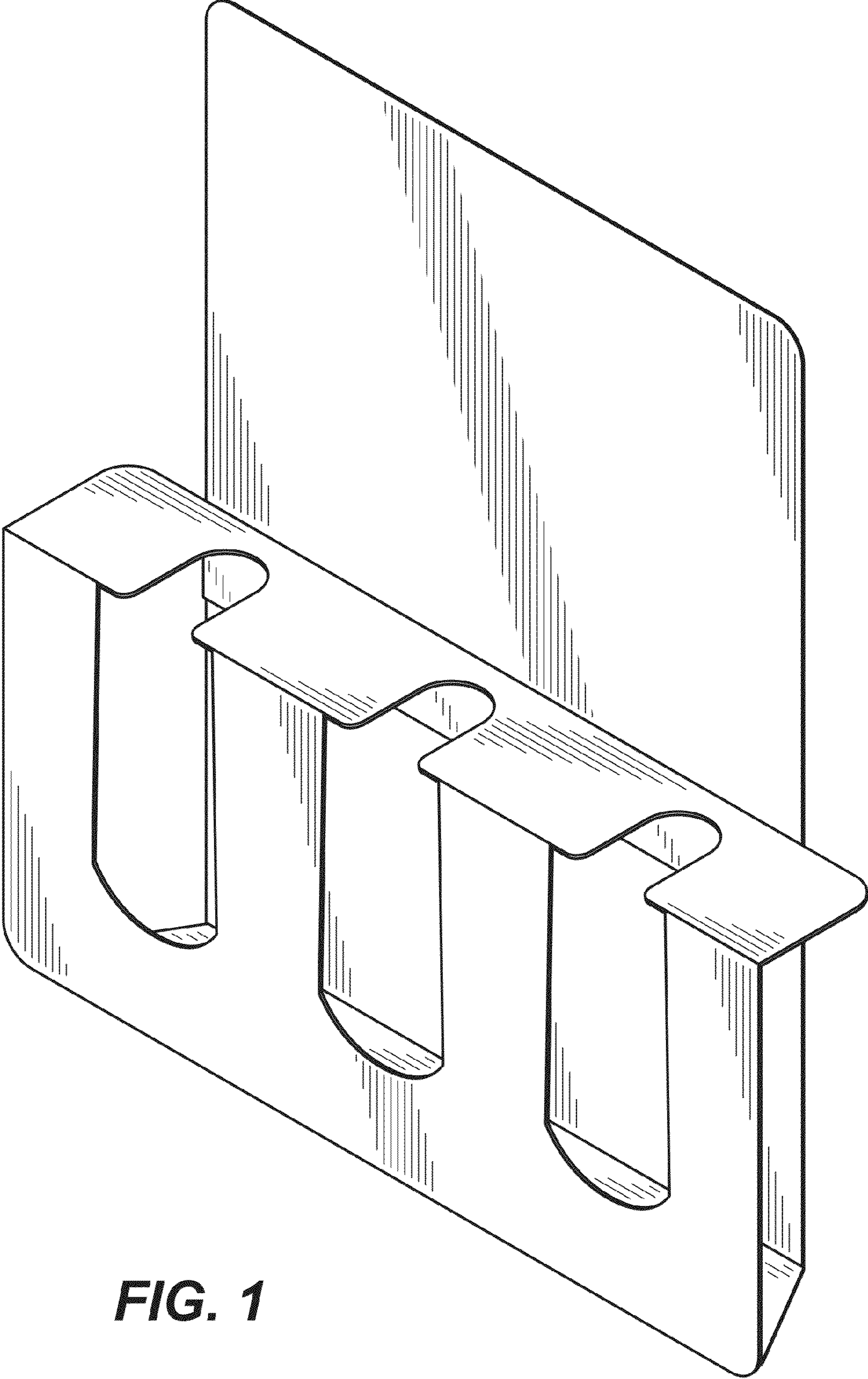
FIG. 4 is a rear view thereof;

FIG. 5 is a top view thereof; and,

FIG. 6 is a bottom thereof.

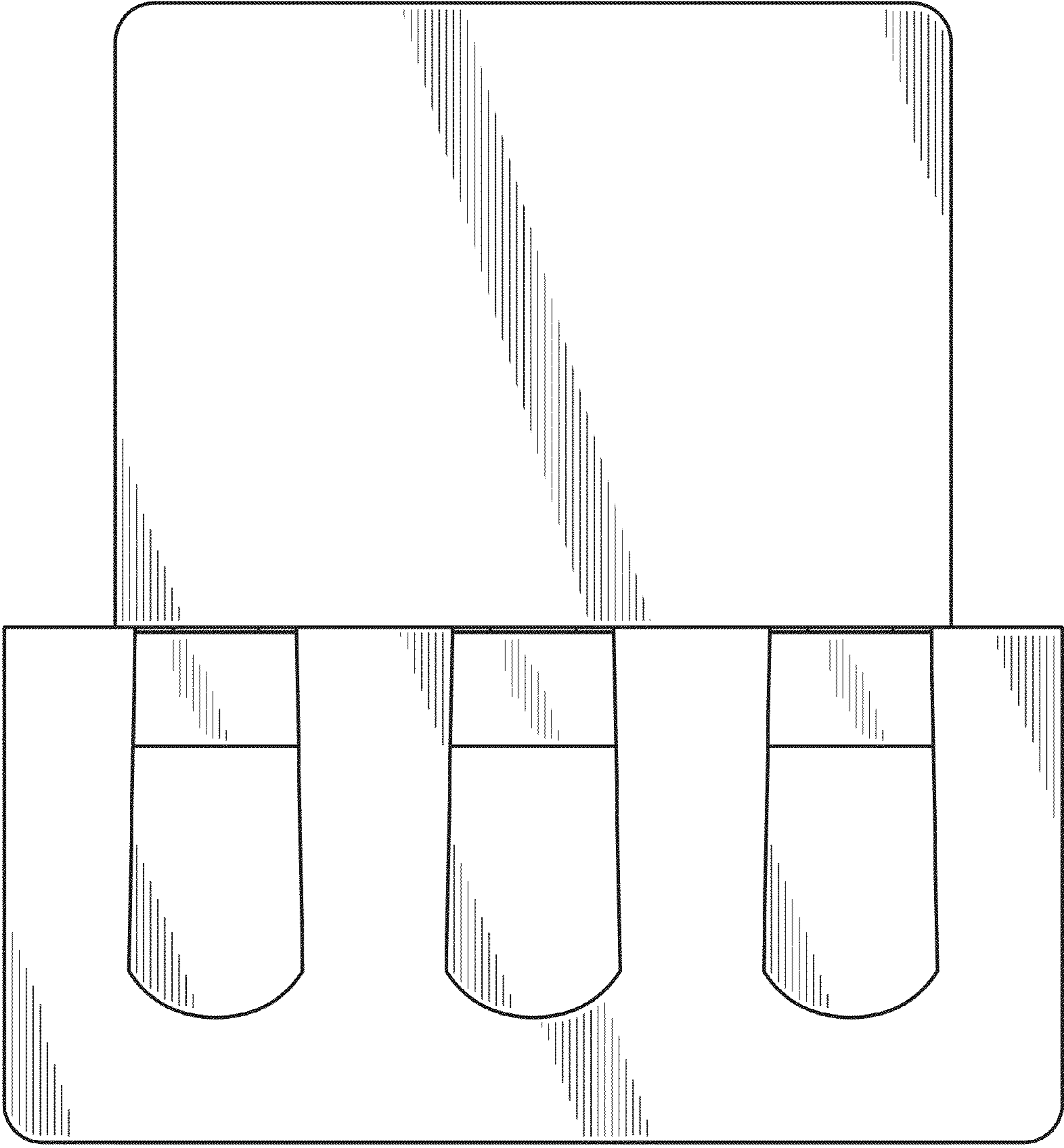
**1 Claim, 4 Drawing Sheets**



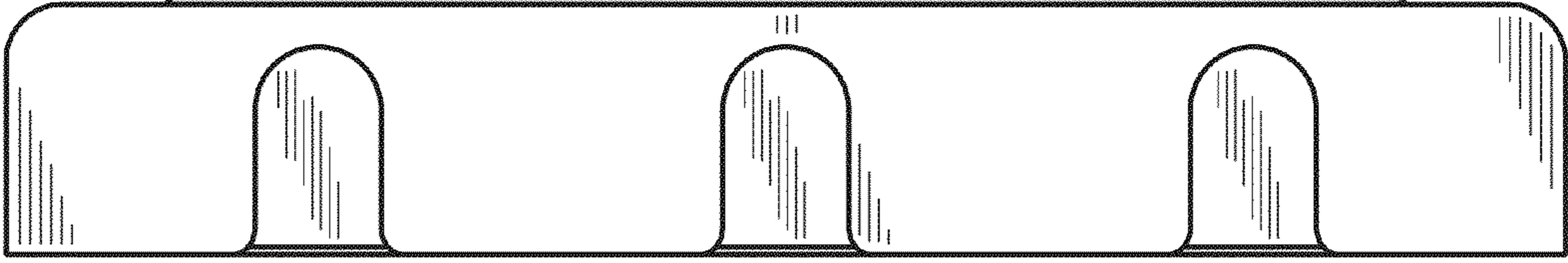


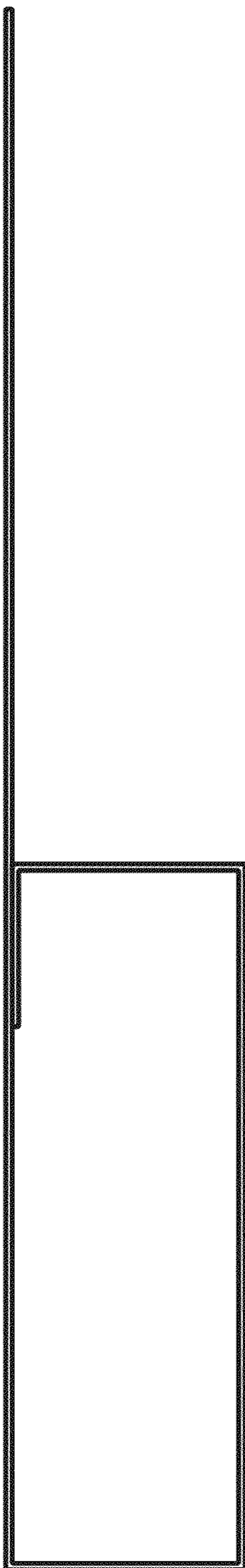
**FIG. 1**

**FIG. 2**



**FIG. 5**

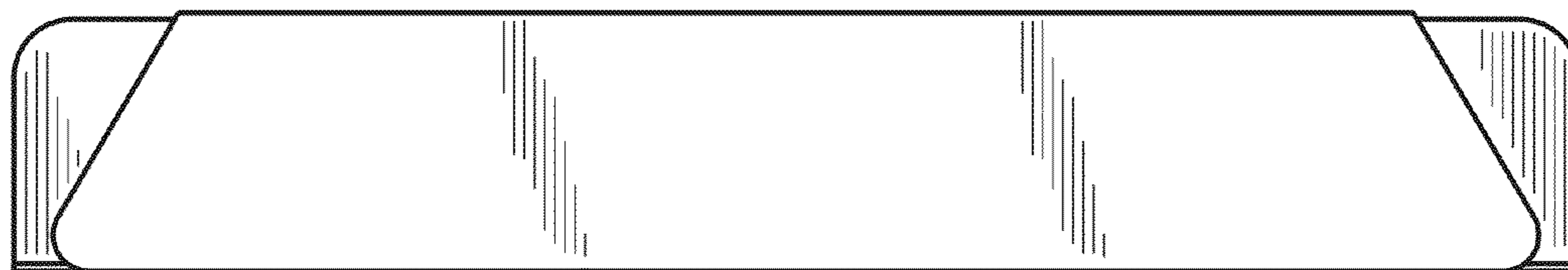
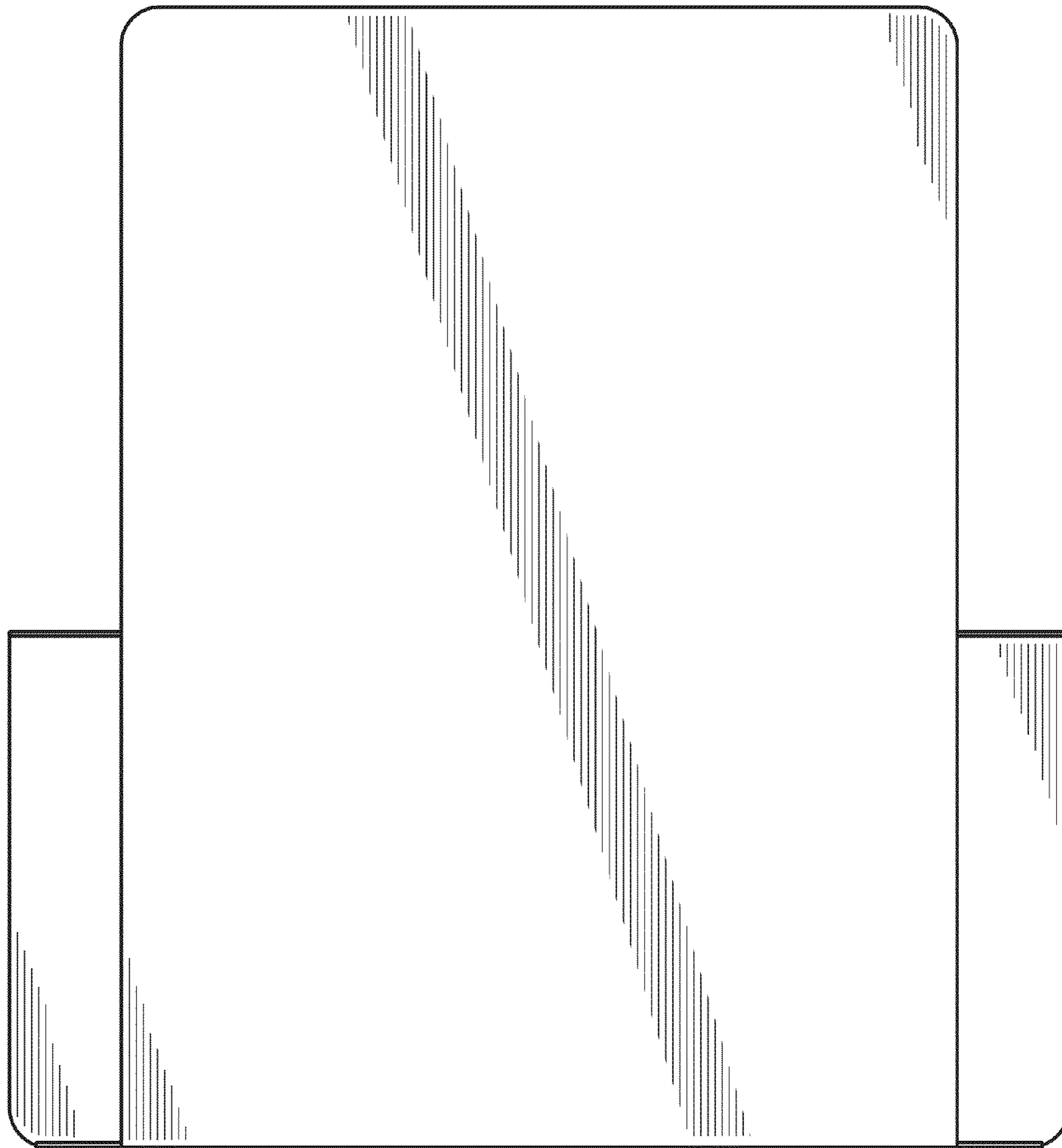




**FIG. 3**



**FIG. 4**



**FIG. 6**