



US00D689772S

(12) **United States Design Patent**
Jones et al.

(10) **Patent No.:** **US D689,772 S**

(45) **Date of Patent:** **** Sep. 17, 2013**

(54) **TRAY ASSEMBLY FOR A DISPENSING CONTAINER**

4,007,828 A	2/1977	Mayled
4,057,145 A	11/1977	Wray et al.
4,154,365 A	5/1979	Lorca
4,284,204 A	8/1981	Cary, Jr.
4,437,579 A	3/1984	Obland
4,561,544 A	12/1985	Reeve
4,572,376 A	2/1986	Wrennall
4,611,727 A	9/1986	Graff
4,705,165 A	11/1987	Thieke

(71) Applicant: **R.J. Reynolds Tobacco Company**,
Winston-Salem, NC (US)

(72) Inventors: **Wesley Steven Jones**, Lexington, NC
(US); **Jerry Wayne Pipes**, Clemmons,
NC (US)

(Continued)

(73) Assignee: **R.J. Reynolds Tobacco Company**,
Winston-Salem, NC (US)

FOREIGN PATENT DOCUMENTS

CH	180218 A	10/1935
GB	686 870	2/1953

(Continued)

(**) Term: **14 Years**

(21) Appl. No.: **29/440,327**

Primary Examiner — Susan Bennett Hattan

(22) Filed: **Dec. 20, 2012**

(74) *Attorney, Agent, or Firm* — Womble Carlyle Sandridge
& Rice, LLP

Related U.S. Application Data

(62) Division of application No. 29/388,223, filed on Mar.
25, 2011.

(51) **LOC (9) Cl.** **09-07**

(52) **U.S. Cl.**
USPC **D9/456**

(58) **Field of Classification Search**
USPC D9/434, 455, 456; D3/328, 319,
D3/313, 295, 294, 273, 203.8, 203.6, 203.1,
D3/201; 428/152, 150, 141; 410/154;
206/711, 710

See application file for complete search history.

(56) **References Cited**

U.S. PATENT DOCUMENTS

194,197 A	8/1877	Villaret	
2,090,530 A	8/1937	Guffy et al.	
D134,249 S *	11/1942	Button	D9/761
3,696,917 A	10/1972	Levi	
3,782,584 A	1/1974	Swenson et al.	
3,895,737 A	7/1975	Phillips	

(57) **CLAIM**

The ornamental design for a tray assembly for a dispensing container, as shown and described.

DESCRIPTION

FIG. 1 is a top, front perspective view of a tray assembly for a dispensing container according to the present design, the tray assembly having a translucent cover with multiple cut-out portions formed therein;

FIG. 2 is a top, rear perspective view of the tray assembly for a dispensing container illustrated in FIG. 1;

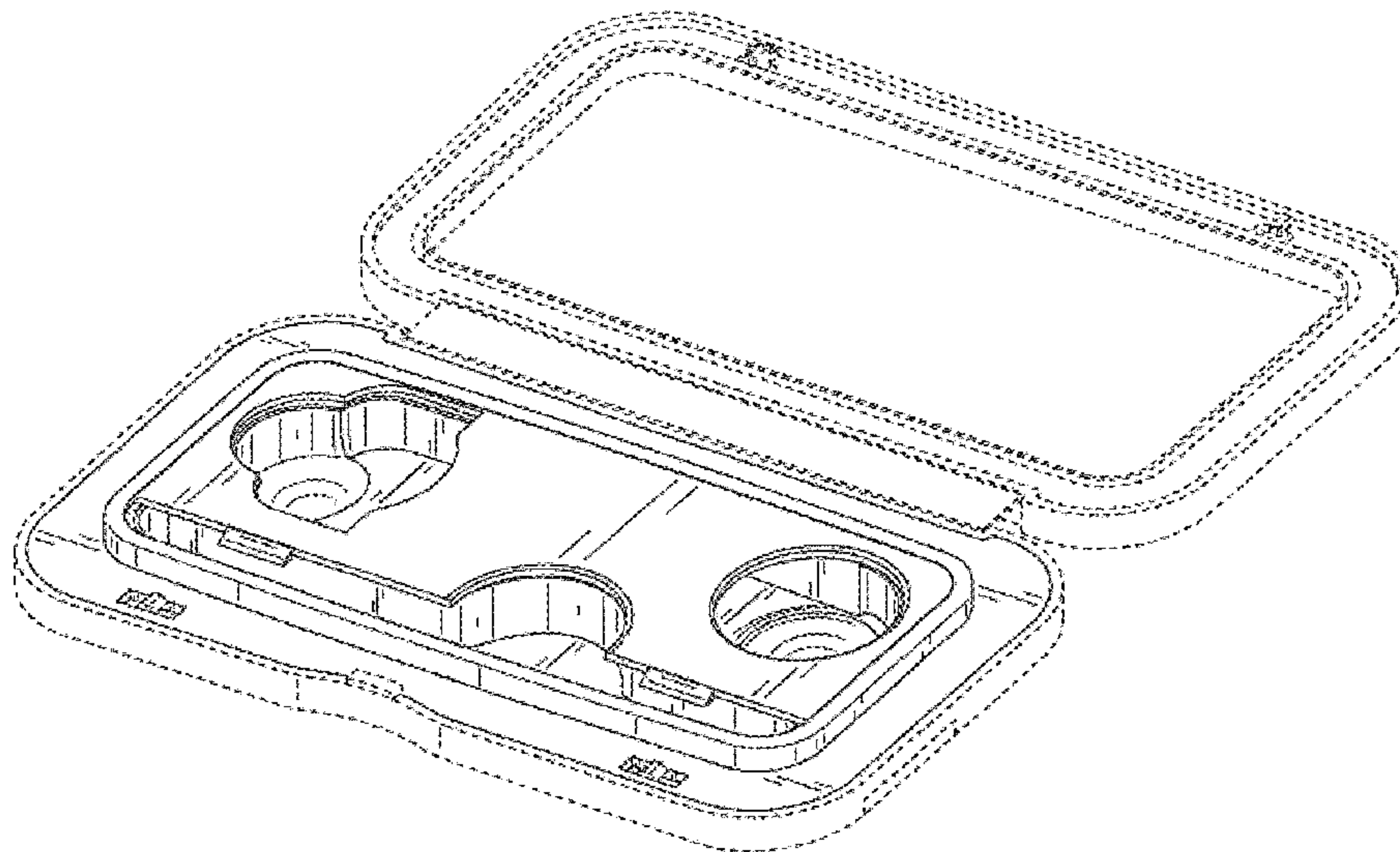
FIG. 3 is a top plan view of the tray assembly for a dispensing container illustrated in FIG. 1;

FIG. 4 is an exploded front view of the tray assembly for a dispensing container illustrated in FIG. 1; and,

FIG. 5 is an exploded rear view of the tray assembly for a dispensing container illustrated in FIG. 1.

The broken lines shown herein depict environmental subject matter only and form no part of the claimed design.

1 Claim, 5 Drawing Sheets



(56)

References Cited

U.S. PATENT DOCUMENTS

D307,555 S 5/1990 Haenni et al.
 5,108,006 A 4/1992 Tieke et al.
 5,174,471 A 12/1992 Kozlowski et al.
 5,275,291 A 1/1994 Sledge
 5,657,901 A 8/1997 Farside
 5,729,955 A 3/1998 Yamada
 D393,591 S * 4/1998 Baryshyan D9/756
 5,782,359 A 7/1998 McAllister et al.
 5,816,441 A 10/1998 Farside
 5,897,025 A 4/1999 Flewitt et al.
 5,909,822 A 6/1999 George et al.
 5,915,560 A 6/1999 George et al.
 6,131,765 A 10/2000 Barry et al.
 6,155,454 A 12/2000 George et al.
 D444,058 S * 6/2001 Hampshire et al. D9/761
 6,267,265 B1 7/2001 Issa
 6,460,693 B1 10/2002 Harrold
 6,527,138 B2 3/2003 Pawlo et al.
 6,758,338 B2 7/2004 Lien
 D495,545 S 9/2004 Niehues
 6,863,175 B2 3/2005 Gelardi
 6,913,149 B2 * 7/2005 Gelardi et al. 206/538
 6,976,576 B2 12/2005 Intini
 D531,499 S 11/2006 Zaidman
 7,159,720 B2 1/2007 Pearson
 7,288,745 B2 * 10/2007 Colonna 219/439
 7,353,969 B2 4/2008 McHutchinson
 D572,588 S 7/2008 Osborn et al.
 D589,798 S * 4/2009 Liipola D9/456
 7,565,969 B2 7/2009 He
 D608,593 S 1/2010 Follansbee et al.
 7,712,630 B2 5/2010 He
 D631,353 S * 1/2011 Gelardi et al. D9/456
 D631,354 S * 1/2011 Gelardi et al. D9/456
 D631,747 S * 2/2011 Gelardi et al. D9/456
 D638,297 S * 5/2011 Gelardi et al. D9/456
 D639,162 S * 6/2011 Gelardi et al. D9/456
 D639,163 S * 6/2011 Gelardi et al. D9/456
 D644,514 S * 9/2011 Robins D9/456

D661,188 S * 6/2012 Fahy D9/456
 D661,189 S * 6/2012 Fahy D9/456
 D661,190 S * 6/2012 Fahy D9/456
 D667,301 S * 9/2012 Jones et al. D9/456
 D667,302 S * 9/2012 Jones et al. D9/456
 D667,303 S * 9/2012 Jones et al. D9/456
 D667,304 S * 9/2012 Jones et al. D9/456
 2002/0096517 A1 * 7/2002 Gelardi 220/4.23
 2002/0175195 A1 11/2002 Cole
 2004/0217024 A1 11/2004 Arnarp et al.
 2005/0173272 A1 8/2005 Lemmons, IV
 2006/0060480 A1 3/2006 Budd
 2006/0118589 A1 6/2006 Arnarp et al.
 2006/0124658 A1 6/2006 Coe et al.
 2006/0243611 A1 11/2006 Wu
 2007/0068960 A1 * 3/2007 Valentine et al. 221/25
 2007/0163911 A1 * 7/2007 Gelardi 206/473
 2007/0277299 A1 12/2007 Kroon
 2008/0029110 A1 2/2008 Dube et al.
 2008/0029116 A1 2/2008 Robinson et al.
 2008/0035643 A1 2/2008 Hoffman
 2009/0223989 A1 9/2009 Gelardi
 2009/0266837 A1 10/2009 Gelardi et al.
 2010/0018882 A1 1/2010 St. Charles
 2010/0018883 A1 1/2010 Patel
 2010/0084424 A1 4/2010 Gelardi
 2010/0133140 A1 6/2010 Bailey et al.
 2010/0264157 A1 10/2010 Bailey et al.

FOREIGN PATENT DOCUMENTS

GB 2 042 476 9/1980
 WO WO 99/48391 A 9/1999
 WO WO 2004/035404 A1 4/2004
 WO WO 2005/016036 A1 2/2005
 WO WO 2005/030606 A1 4/2005
 WO WO 2005/035390 A1 4/2005
 WO WO 2007/017761 A2 2/2007
 WO WO 2007/067953 A2 6/2007
 WO WO 2007/070867 A2 6/2007
 WO WO 2008/070032 A2 6/2008

* cited by examiner

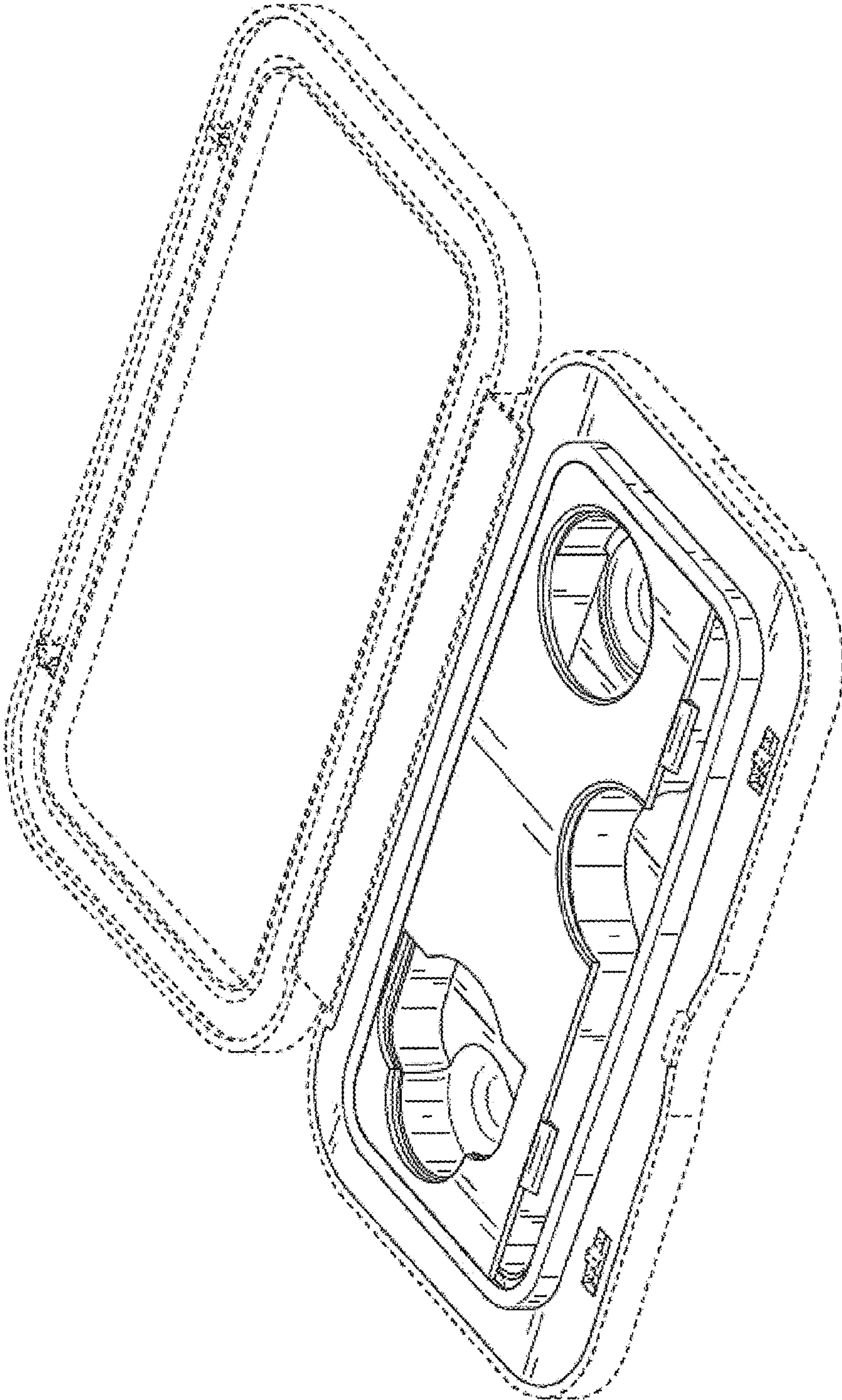


FIG. 1

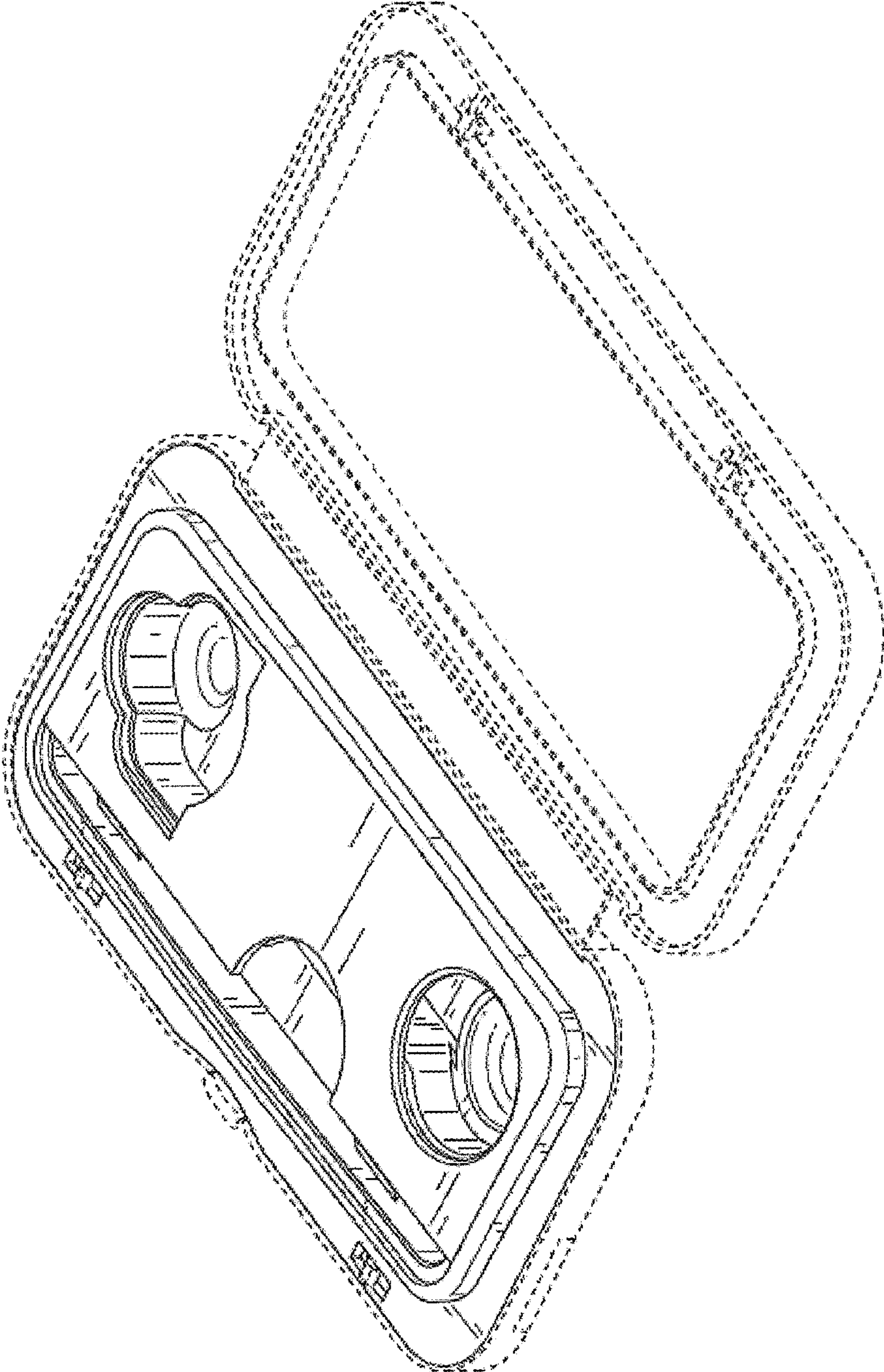


FIG. 2

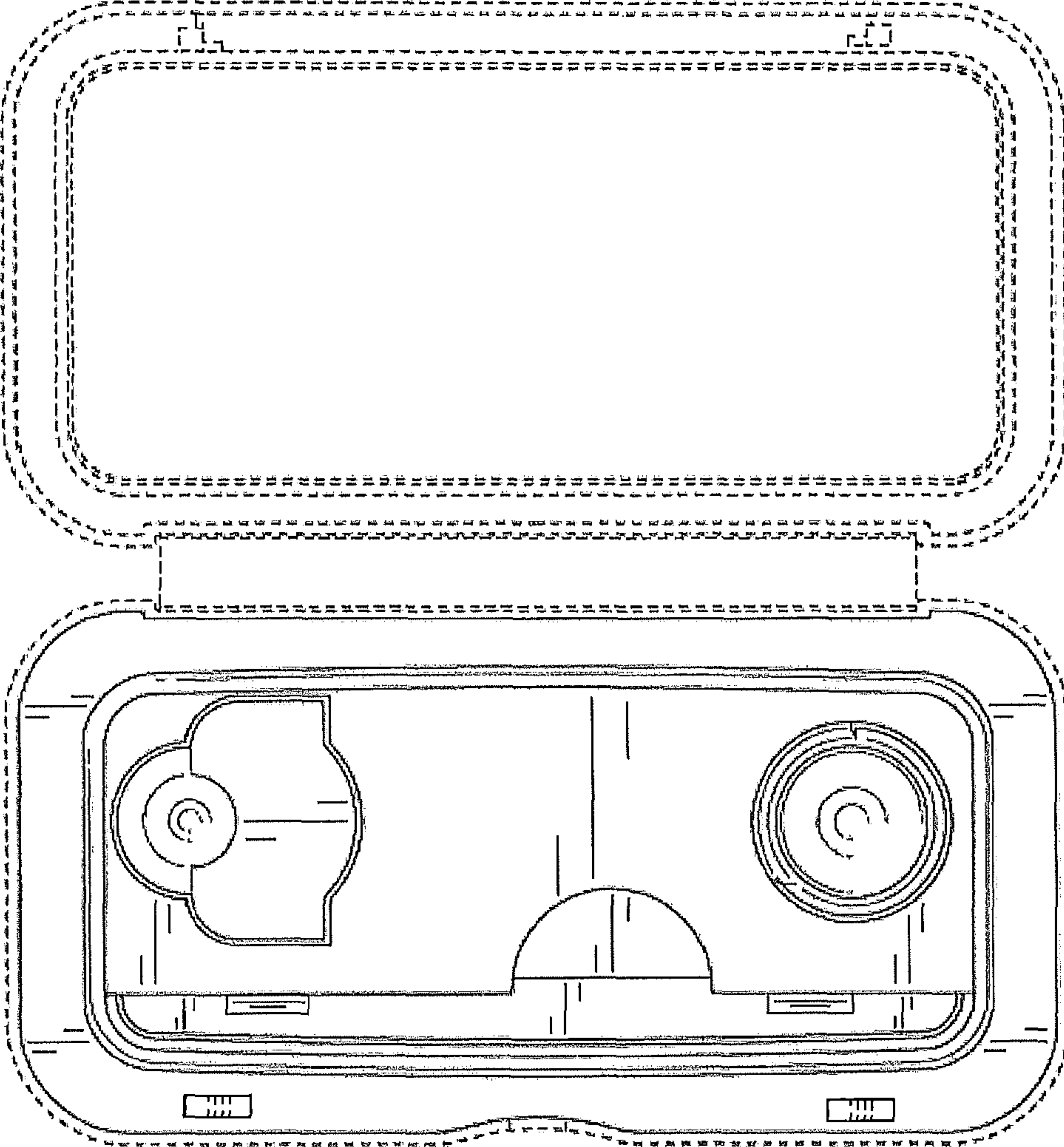


FIG. 3

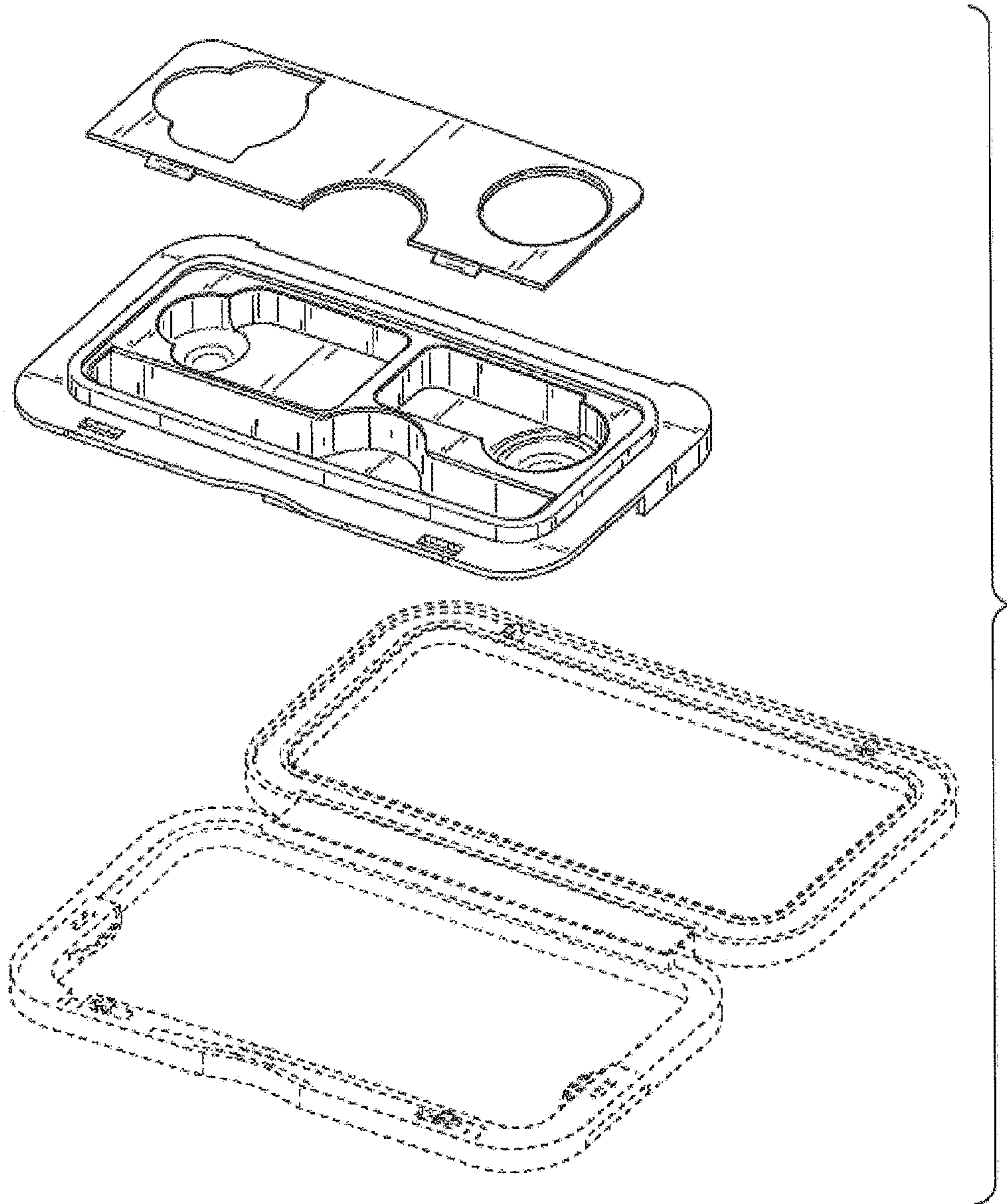


FIG. 4

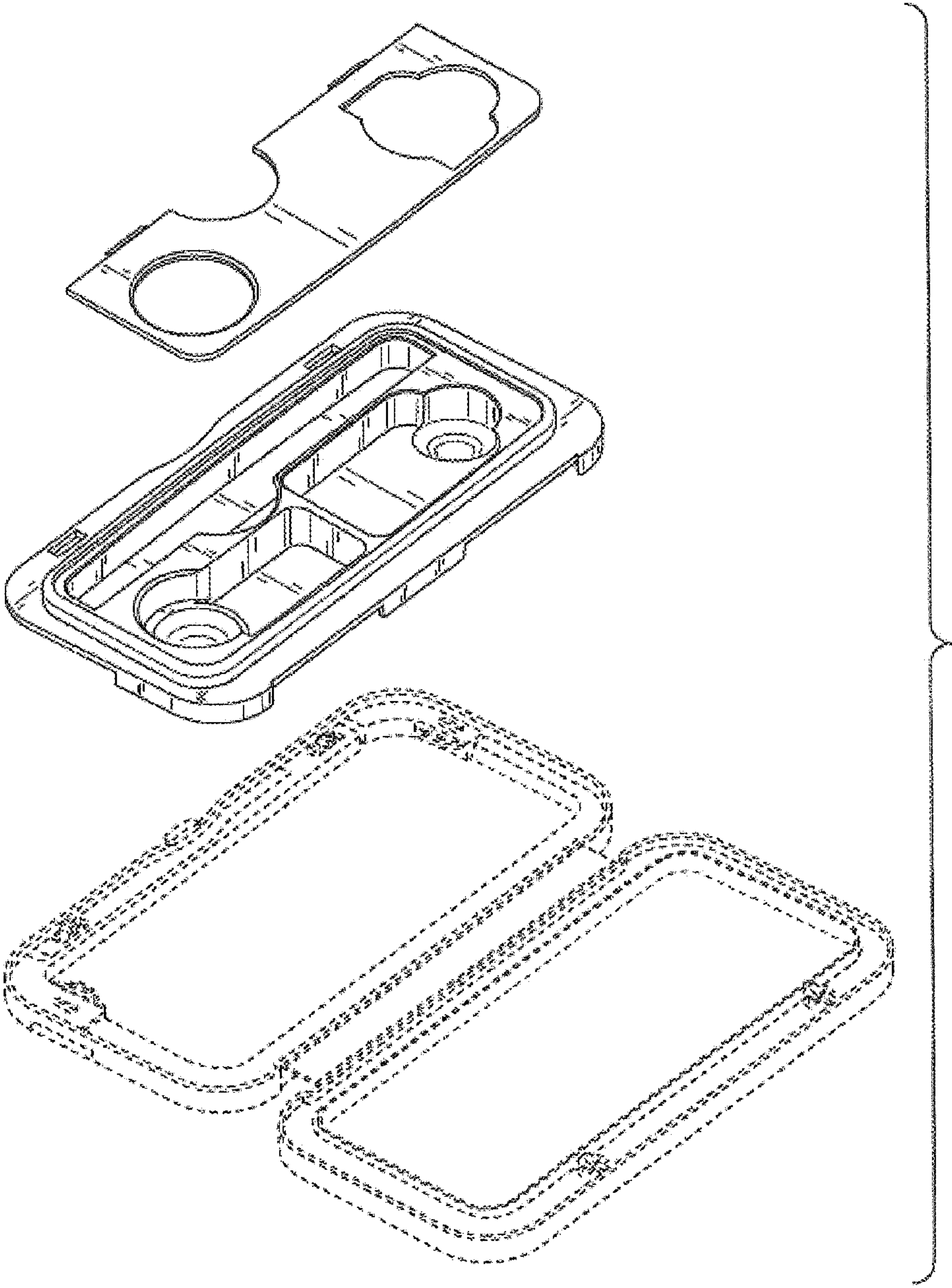


FIG. 5