



US00D689768S

(12) **United States Design Patent**  
**Inderbitzin**

(10) **Patent No.:** **US D689,768 S**

(45) **Date of Patent:** **\*\* Sep. 17, 2013**

(54) **CAPSULE FOR COFFEE**

(75) Inventor: **Melina Inderbitzin**, Steinen (CH)

(73) Assignee: **Migros-Genossenschafts-Bund**, Zurich (CH)

(\*\*) Term: **14 Years**

(21) Appl. No.: **29/422,957**

(22) Filed: **May 25, 2012**

(30) **Foreign Application Priority Data**

Nov. 21, 2011 (WO) ..... 638643501

(51) **LOC (9) Cl.** ..... **09-03**

(52) **U.S. Cl.**  
USPC ..... **D9/429**

(58) **Field of Classification Search**  
USPC ..... D9/414, 418, 424, 425, 428, 429,  
D9/500; D7/619, 629; 229/400-406, 932,  
229/906.1; 220/656-659, 669-675, 912,  
220/4.21-4.27; 206/553, 557, 541, 775,  
206/776

See application file for complete search history.

(56) **References Cited**

U.S. PATENT DOCUMENTS

D260,243 S \* 8/1981 Dogliotti ..... D7/531  
D275,179 S \* 8/1984 Spencer et al. .... D9/520  
D306,974 S \* 4/1990 Tholstrup ..... D9/424  
D381,558 S \* 7/1997 Schaefer et al. .... D7/531  
D445,677 S \* 7/2001 Lindsay et al. .... D9/429

D452,433 S \* 12/2001 Lazaris ..... D9/429  
D513,152 S \* 12/2005 Cahen ..... D7/400  
D539,643 S \* 4/2007 Abel ..... D9/424  
D605,502 S \* 12/2009 Honda et al. .... D9/429  
D621,698 S \* 8/2010 Cometto ..... D9/424  
D628,476 S \* 12/2010 Vang ..... D9/428  
D628,883 S \* 12/2010 Stephens ..... D9/429  
D645,340 S \* 9/2011 Menard et al. .... D9/428  
2011/0212225 A1 9/2011 Mariller

\* cited by examiner

*Primary Examiner* — Thomas Johannes

(74) *Attorney, Agent, or Firm* — Shoemaker and Mattare

(57) **CLAIM**

The ornamental design for a capsule for coffee, as shown and described.

**DESCRIPTION**

FIG. 1 is a top plan view of a capsule for coffee, showing my new design without a claimed flat sealing lid for illustrative clarity;

FIG. 2 is a bottom plan view thereof;

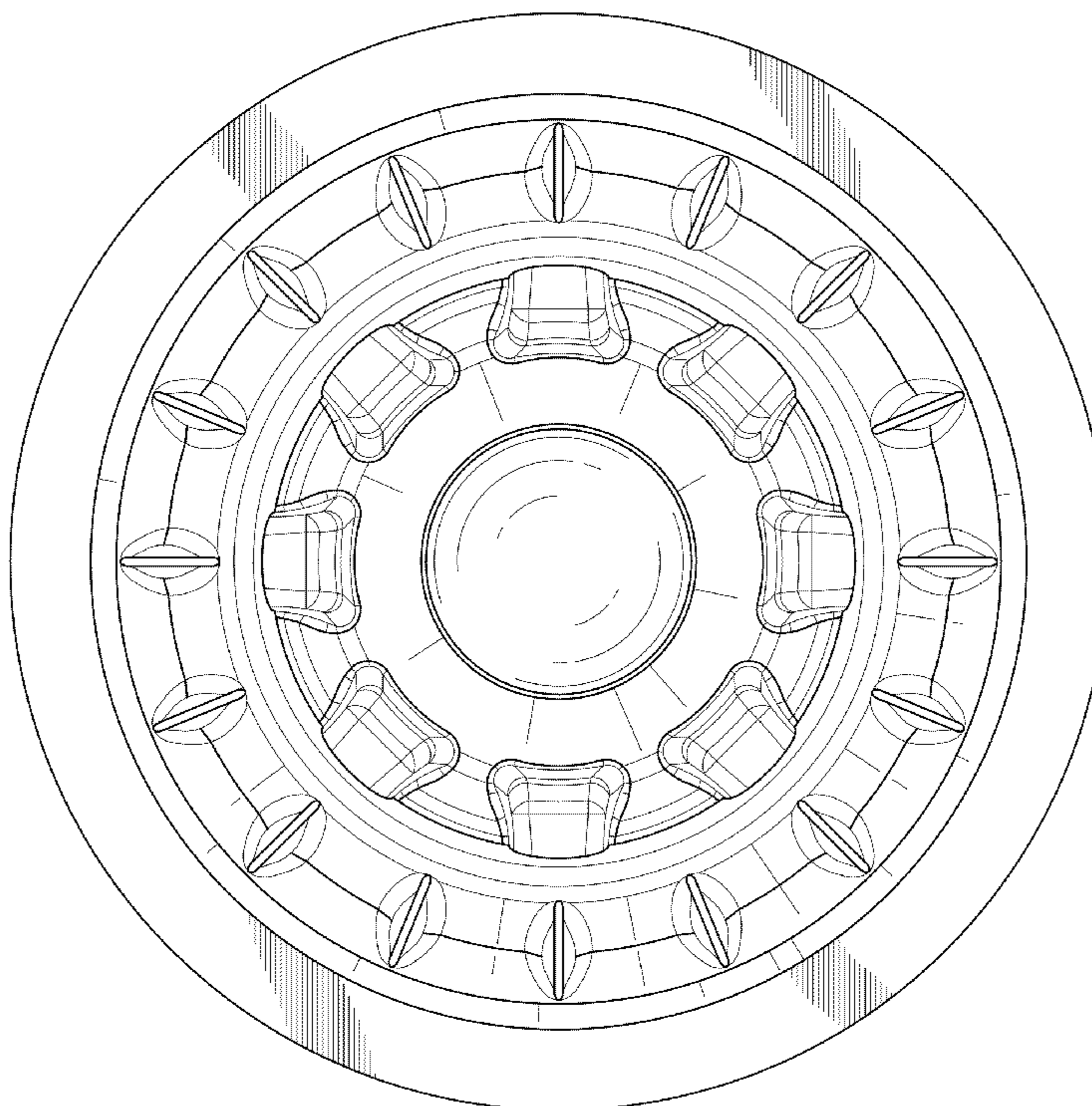
FIG. 3 is a perspective side view thereof;

FIG. 4 is a perspective view thereof, from one side and the bottom;

FIG. 5 is a perspective view thereof, from one side and the top; and,

FIG. 6 is a perspective view thereof, from one side and the top, with a flat lid sealing the capsule.

**1 Claim, 6 Drawing Sheets**



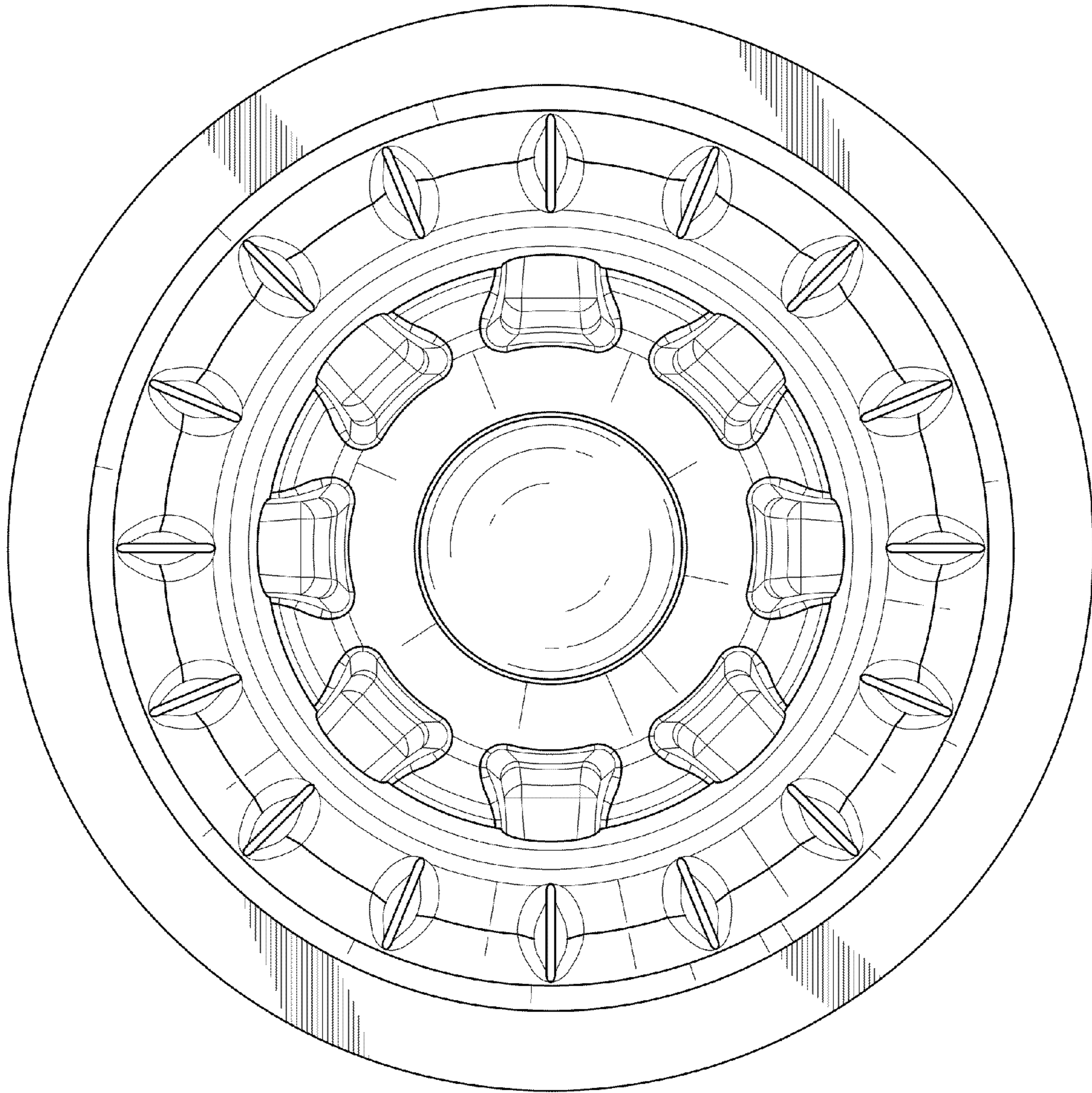


FIG. 1



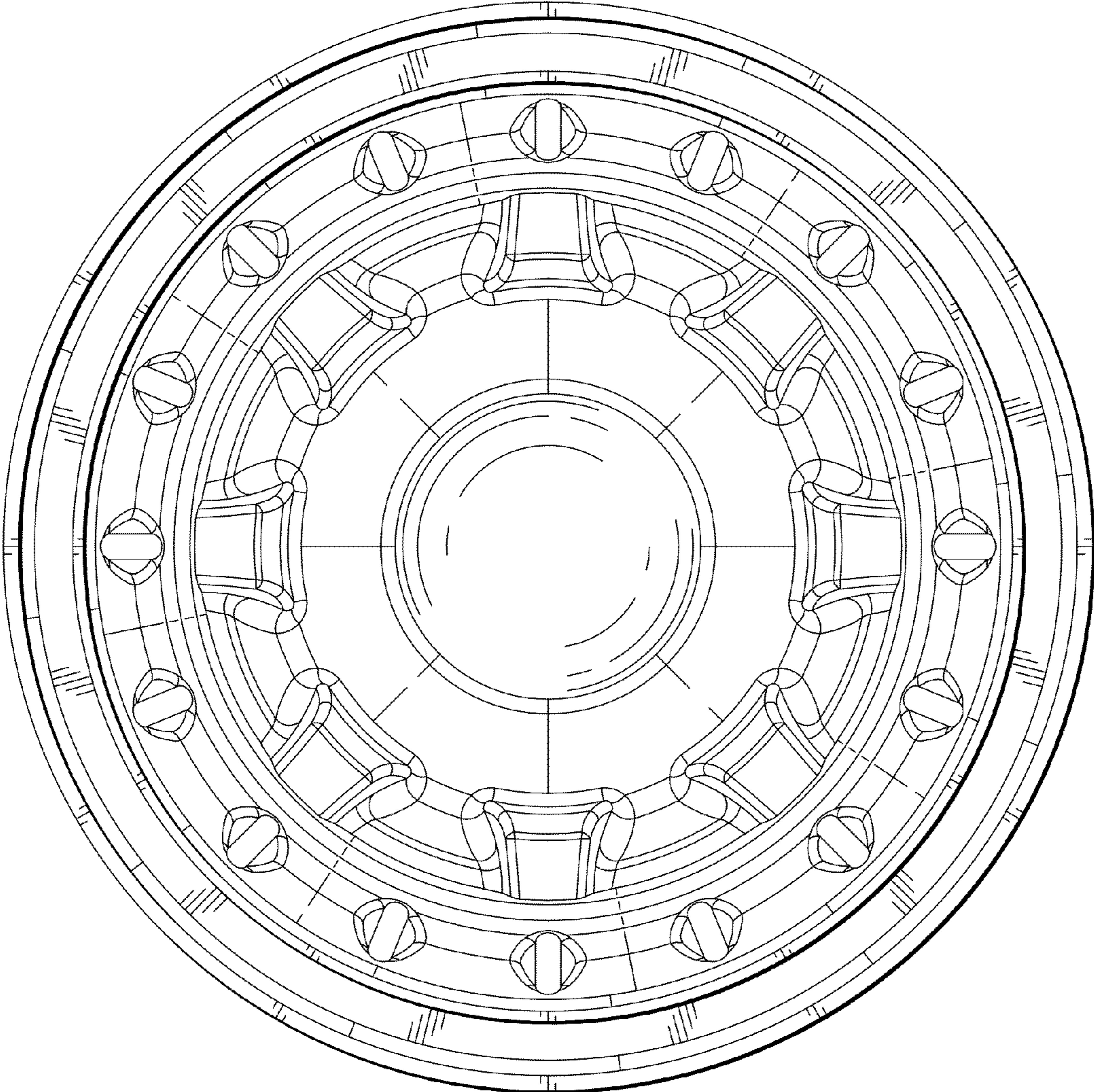


FIG.2

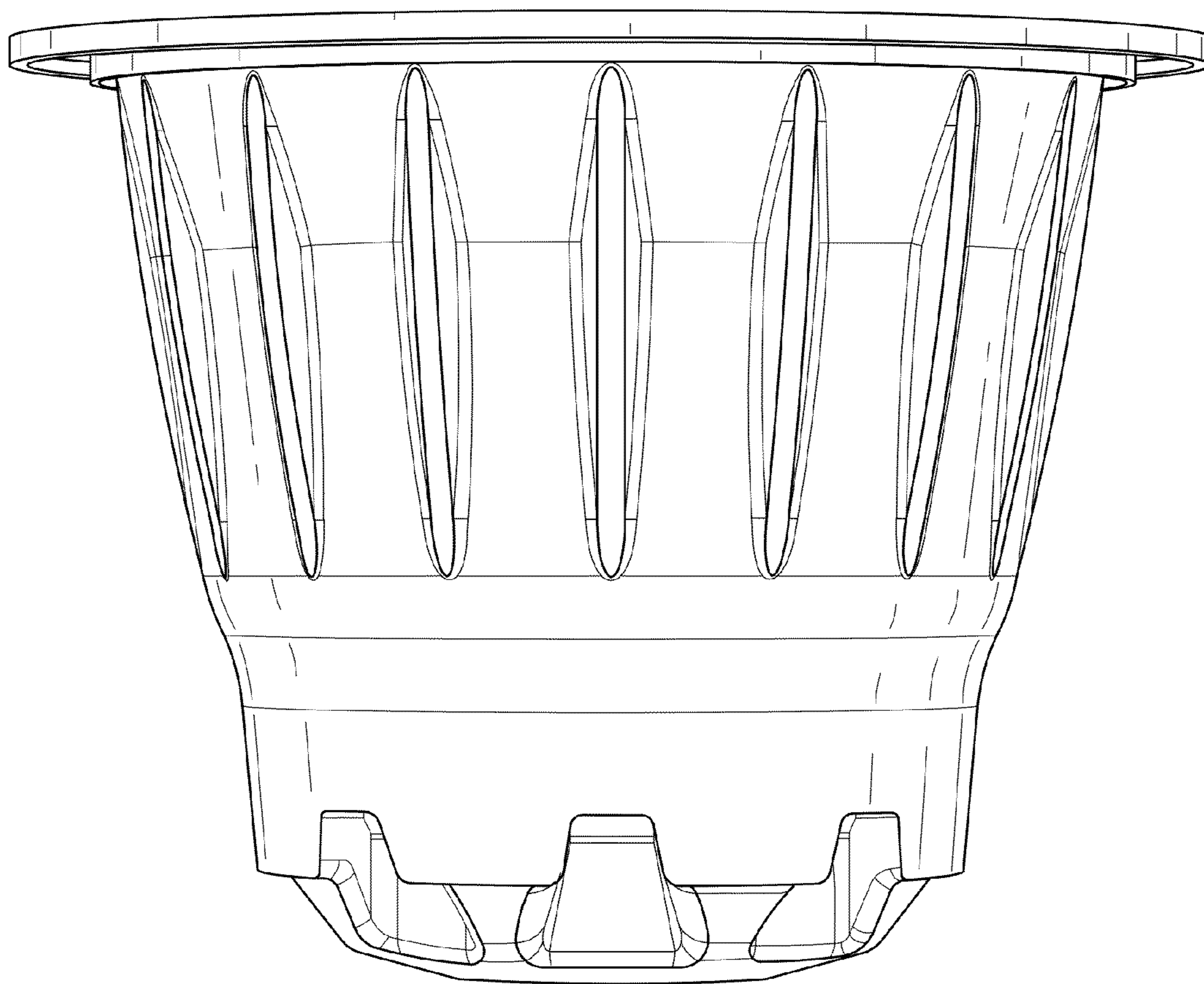


FIG.3

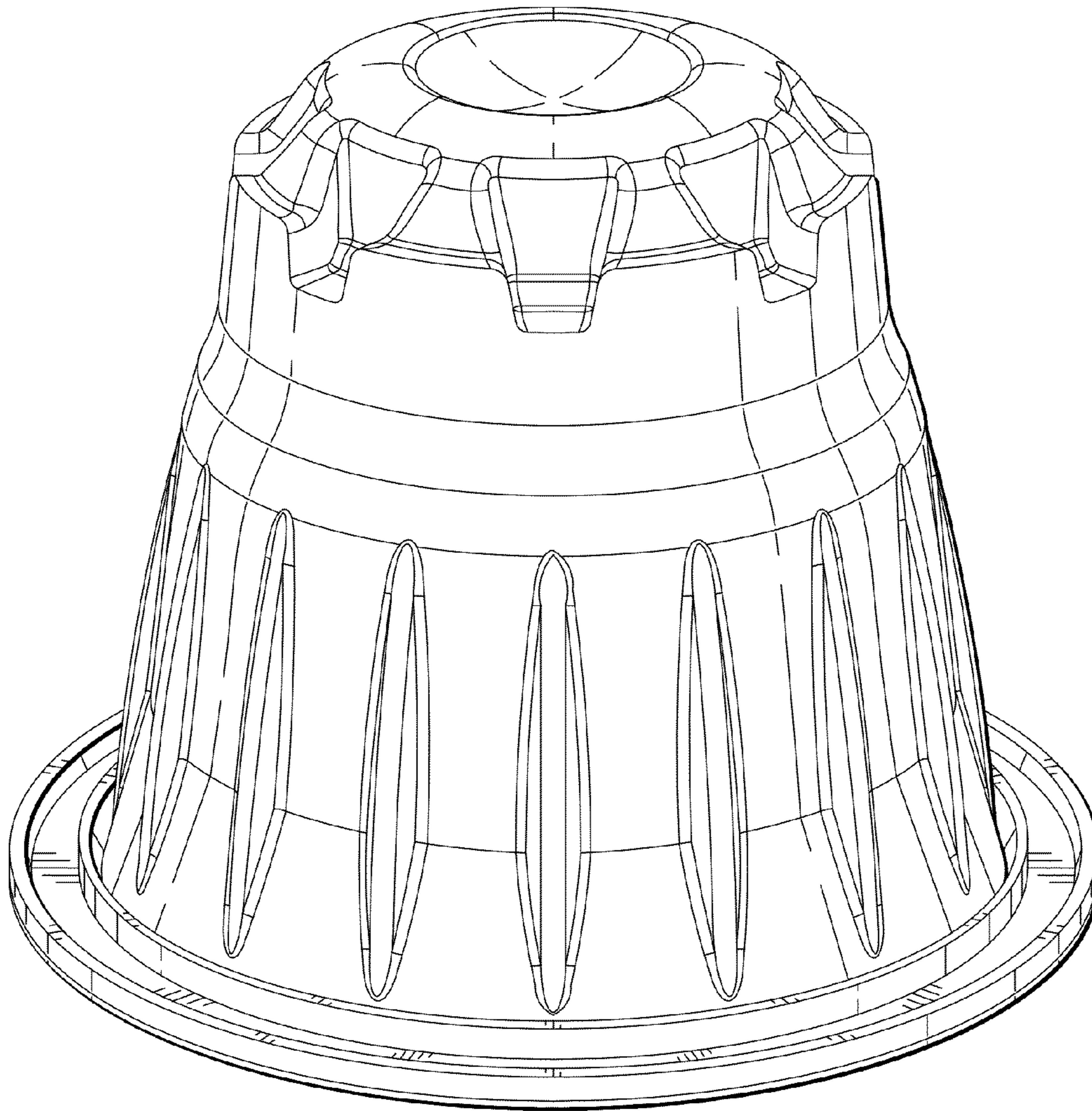


FIG. 4



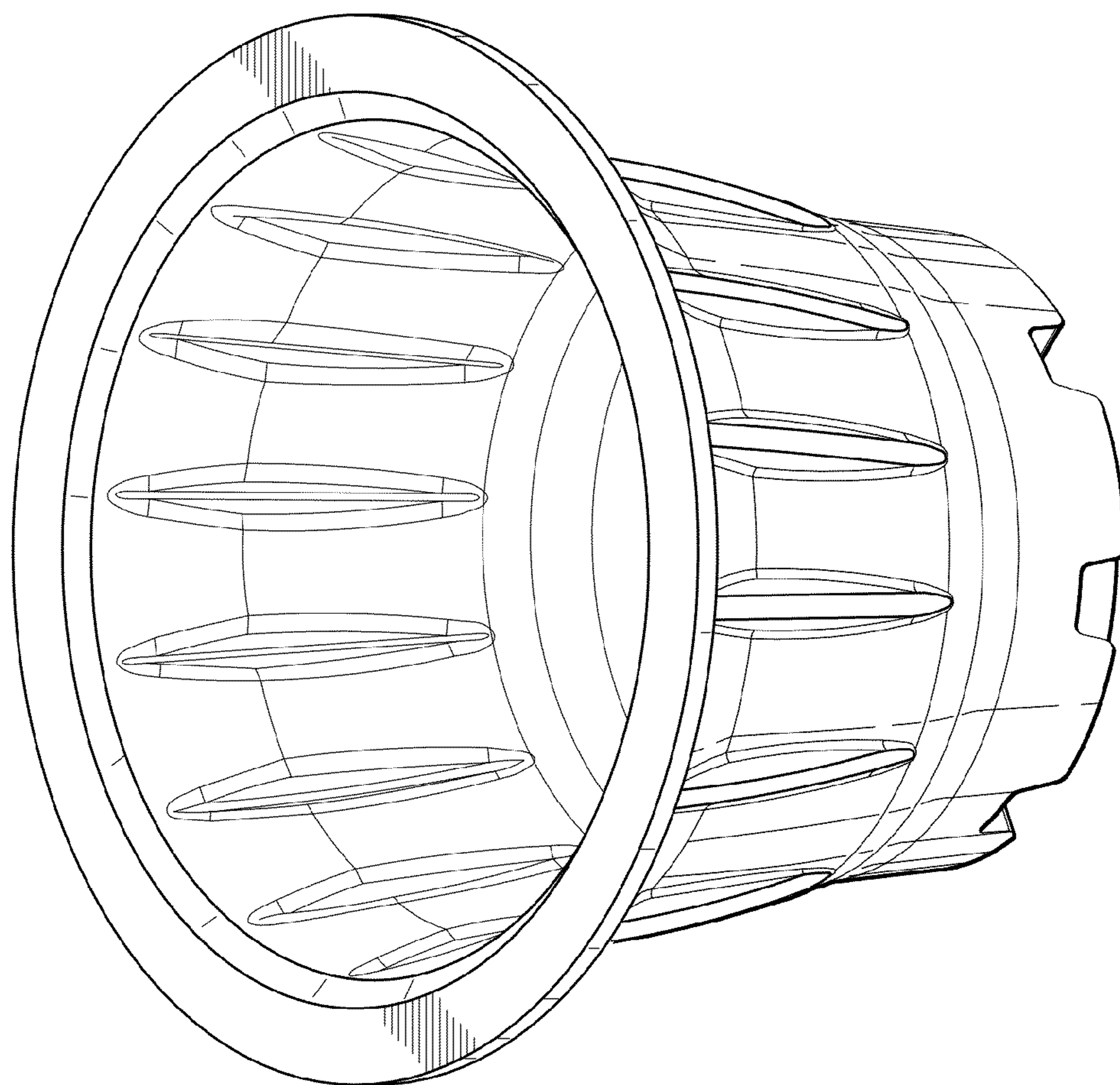


FIG.5

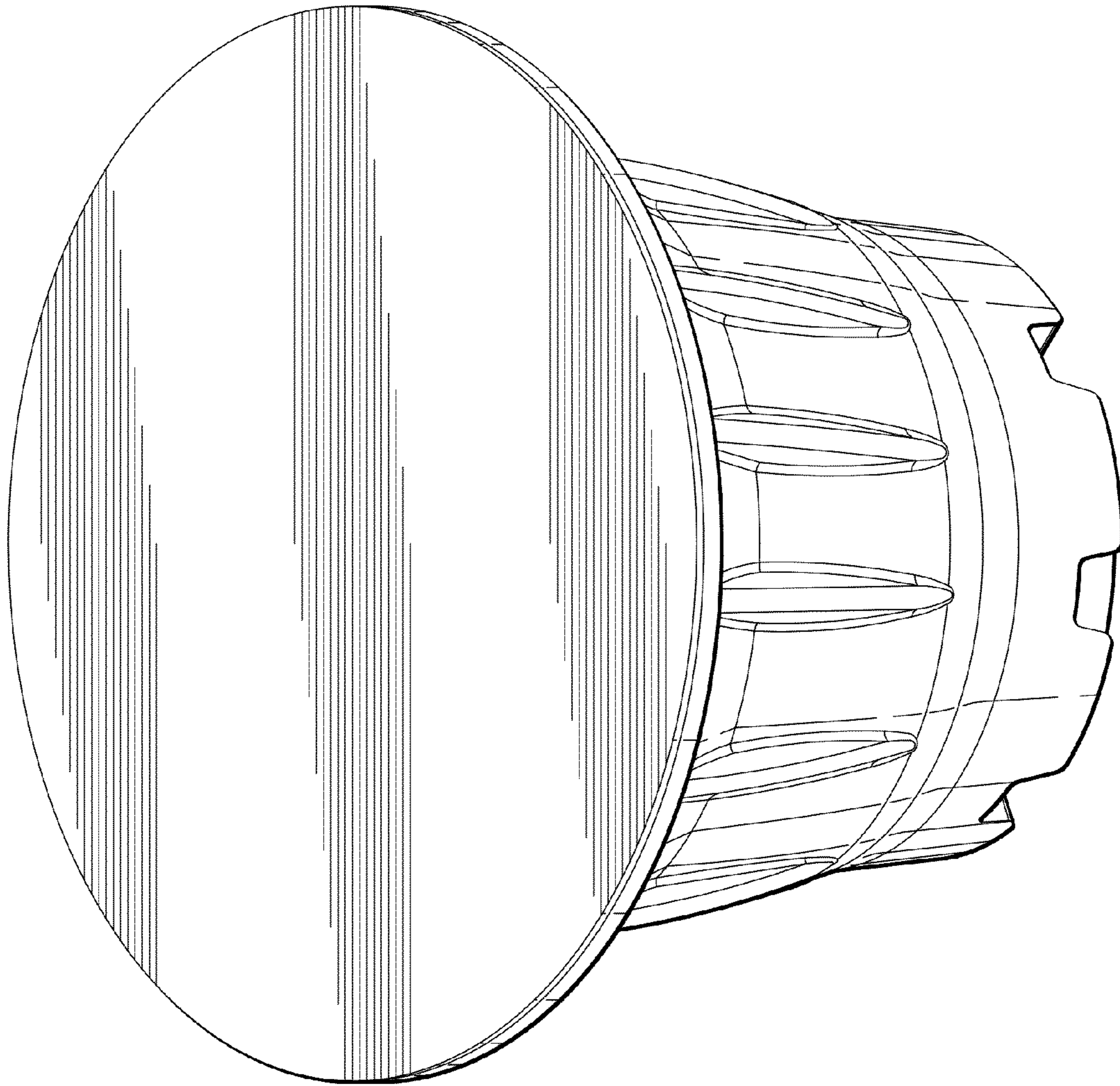


FIG. 6