



US00D689767S

(12) **United States Design Patent**  
**Clark et al.**

(10) **Patent No.:** **US D689,767 S**  
(45) **Date of Patent:** **\*\* Sep. 17, 2013**

(54) **CONTAINER WITH WIDE POUR SPOUT**

(75) Inventors: **James A. Clark**, Williamsburg, VA  
(US); **Patrick L. O'Brien**, Toano, VA  
(US); **David T. Foster**, Williamsburg, VA  
(US); **Matthew N. Piercy**, Seaford, VA  
(US)

(73) Assignee: **Printpack Illinois, Inc.**, Elgin, IL (US)

(\*\*) Term: **14 Years**

(21) Appl. No.: **29/423,059**

(22) Filed: **May 28, 2012**

(51) **LOC (9) Cl.** ..... **09-03**

(52) **U.S. Cl.**  
USPC ..... **D9/425**

(58) **Field of Classification Search**  
USPC ..... D9/414, 424, 425, 428, 430, 431;  
D7/300, 316-319, 538, 549, 550.1, 598, 601-603,  
D7/605, 612, 629; 229/105, 117.09, 117.26,  
229/189, 406, 407, 902, 905, 915.1; 220/23.4,  
220/23.6, 266, 281, 315, 318, 500, 574, 656,  
220/659, 669, 674, 675, 696, 752, 760, 790,  
220/793, DIG. 12, FOR. 117; 206/499, 508,  
206/557; 222/494, 465.1; 366/247; D3/276;  
D10/46.2; D24/123, 204  
See application file for complete search history.

(56) **References Cited**

**U.S. PATENT DOCUMENTS**

2,823,828	A	2/1958	Frater	
3,829,926	A	8/1974	Salladay	
D253,872	S *	1/1980	Reynolds	D9/428
4,486,971	A	12/1984	Miller	
D310,748	S *	9/1990	Embree et al.	D3/304
5,029,725	A	7/1991	Roth	
D330,311	S	10/1992	Narsutis	
5,199,571	A	4/1993	Wolff et al.	
D344,686	S *	3/1994	Weterrings	D10/46.2
5,709,304	A	1/1998	Credle, Jr.	

5,823,345	A	10/1998	Nask et al.
5,845,807	A	12/1998	De Villiers
D431,464	S	10/2000	Collins et al.
6,708,824	B2	3/2004	Sahm, III
6,868,980	B2	3/2005	Schultz et al.

(Continued)

**OTHER PUBLICATIONS**

Disclosure under 37 CFR 1.56 for U.S. Appl. No. 29/423,059, filed Aug. 6, 2012.

*Primary Examiner* — Thomas Johannes

(74) *Attorney, Agent, or Firm* — Sutherland Asbill & Brennan LLP

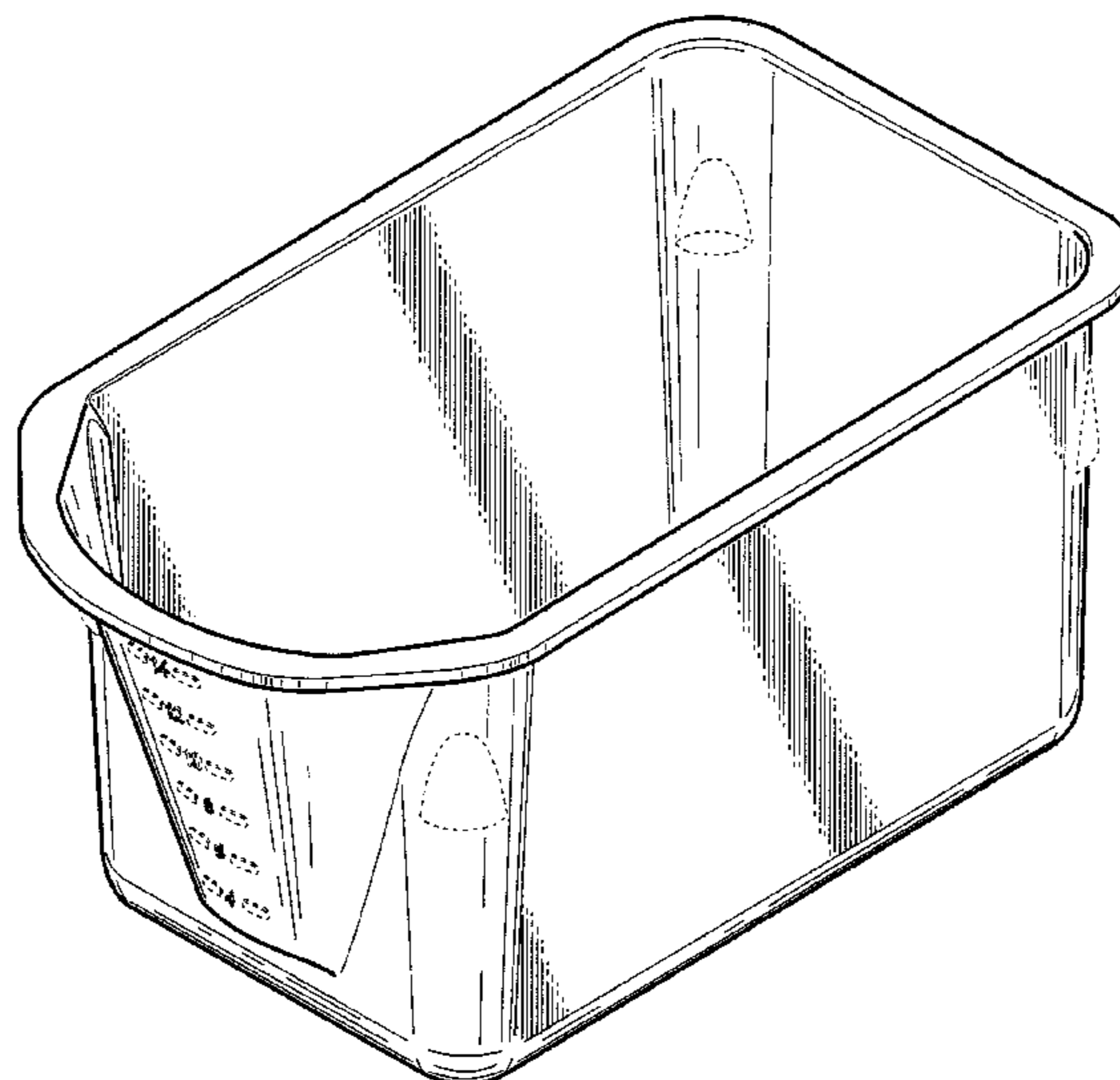
(57) **CLAIM**

The ornamental design for a container with wide pour spout, as shown and described.

**DESCRIPTION**

FIG. 1 is a top view of a container with wide pour spout showing our new design;  
FIG. 2 is a bottom view thereof;  
FIG. 3 is a side view thereof;  
FIG. 4 is a front view thereof;  
FIG. 5 is a rear view thereof;  
FIG. 6 is a forward upper perspective view thereof;  
FIG. 7 is a forward lower perspective view thereof;  
FIG. 8 a rear upper perspective view thereof;  
FIG. 9 is a rear lower perspective view thereof;  
FIG. 10 is an upper perspective view thereof in a usage condition;  
FIG. 11 is an upper perspective view thereof in another usage condition; and,  
FIG. 12 is an upper perspective view thereof in yet another usage condition.  
The broken line portion of the figure drawings is included to show unclaimed subject matter only and forms no part of the claimed design.

**1 Claim, 11 Drawing Sheets**



(56)

**References Cited**

U.S. PATENT DOCUMENTS

D533,471 S \* 12/2006 Jordan ..... D10/46.2  
D534,066 S 12/2006 Arkins  
D536,608 S 2/2007 Arkins  
D547,179 S \* 7/2007 Bouveret et al. .... D9/428  
D588,914 S 3/2009 Laurieu-Tedeschi  
D598,282 S 8/2009 Abrahamsson  
7,722,907 B2 5/2010 Roberts et al.

D642,904 S 8/2011 Turvey  
D646,160 S \* 10/2011 Shiffer et al. .... D9/428  
D650,662 S \* 12/2011 Shiffer et al. .... D9/428  
D655,159 S 3/2012 Killandi  
D655,577 S 3/2012 Samartgis  
D666,829 S \* 9/2012 Liao ..... D3/304  
2001/0023870 A1 9/2001 Mihalov et al.  
2009/0301923 A1 12/2009 Van Puijenbroek  
2010/0065461 A1 3/2010 Chhay

\* cited by examiner

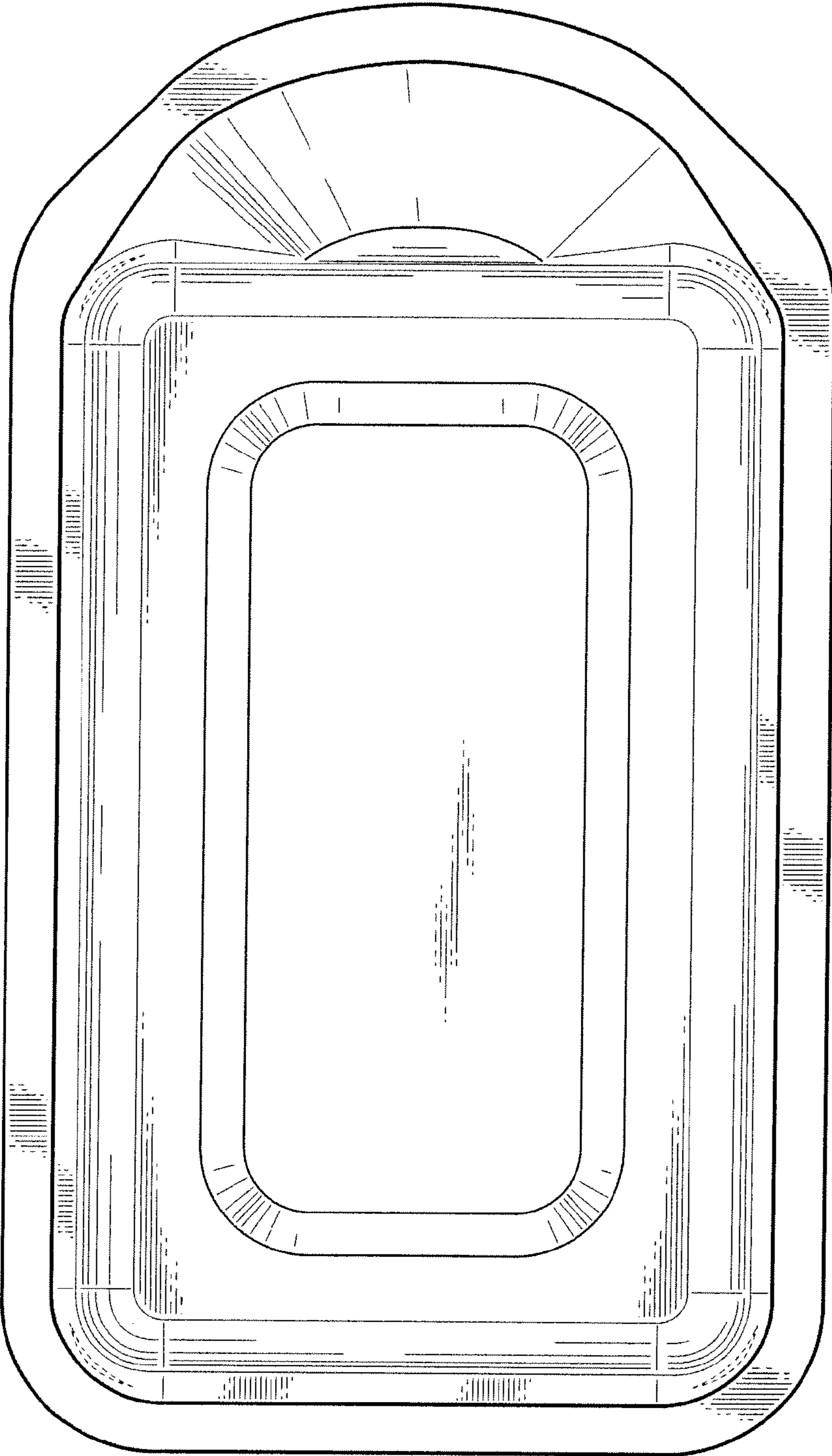


FIG. 1

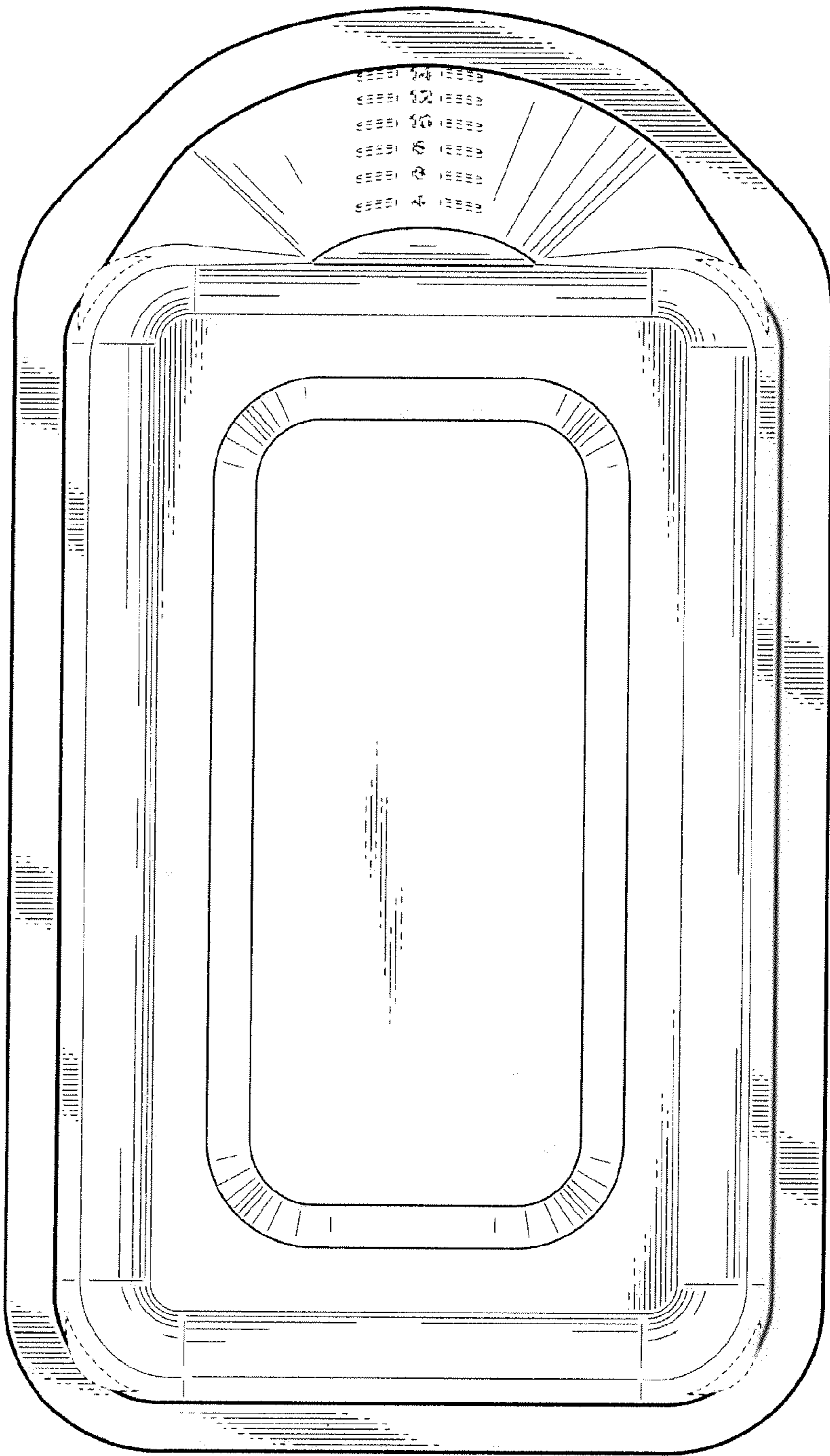


FIG. 2

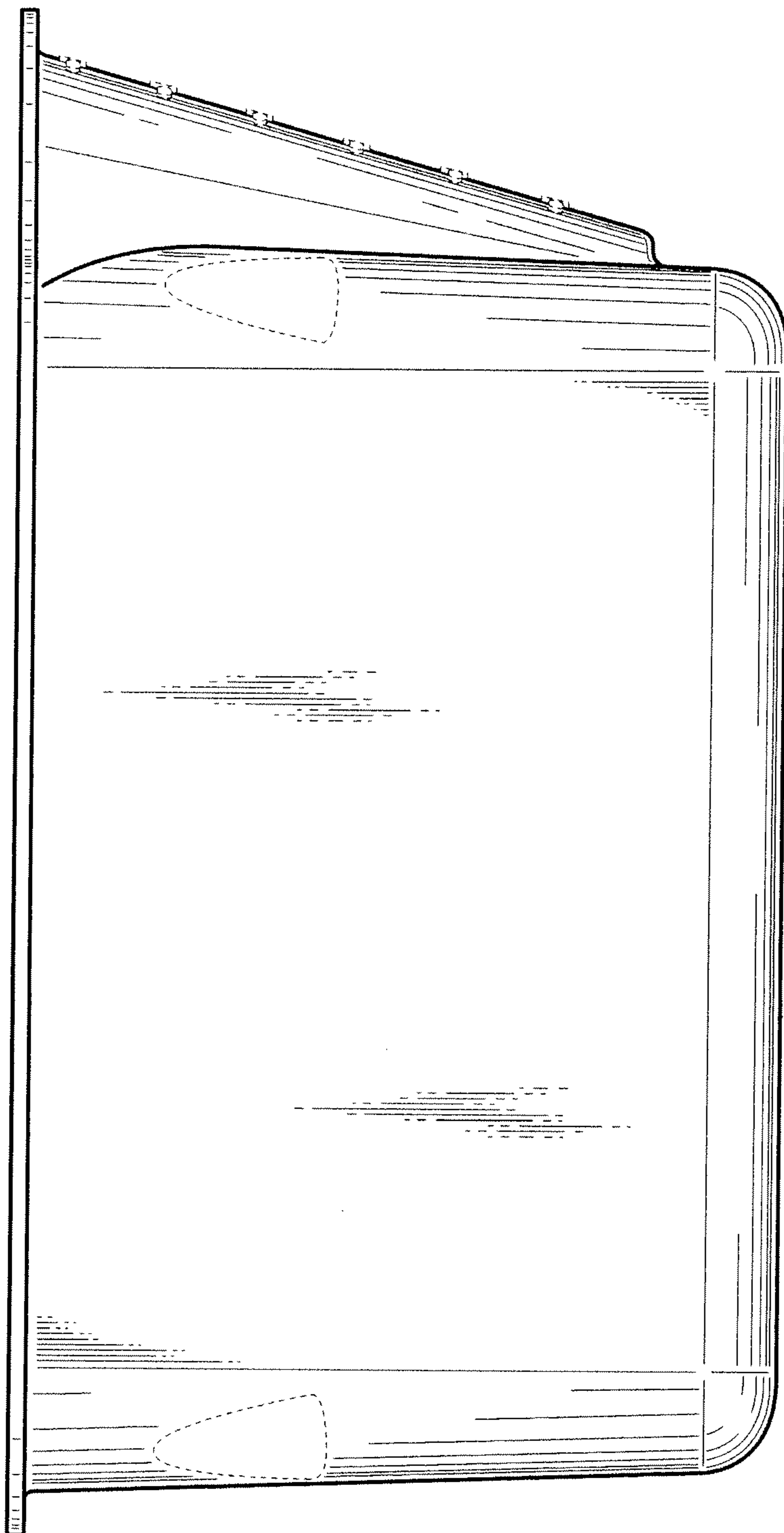
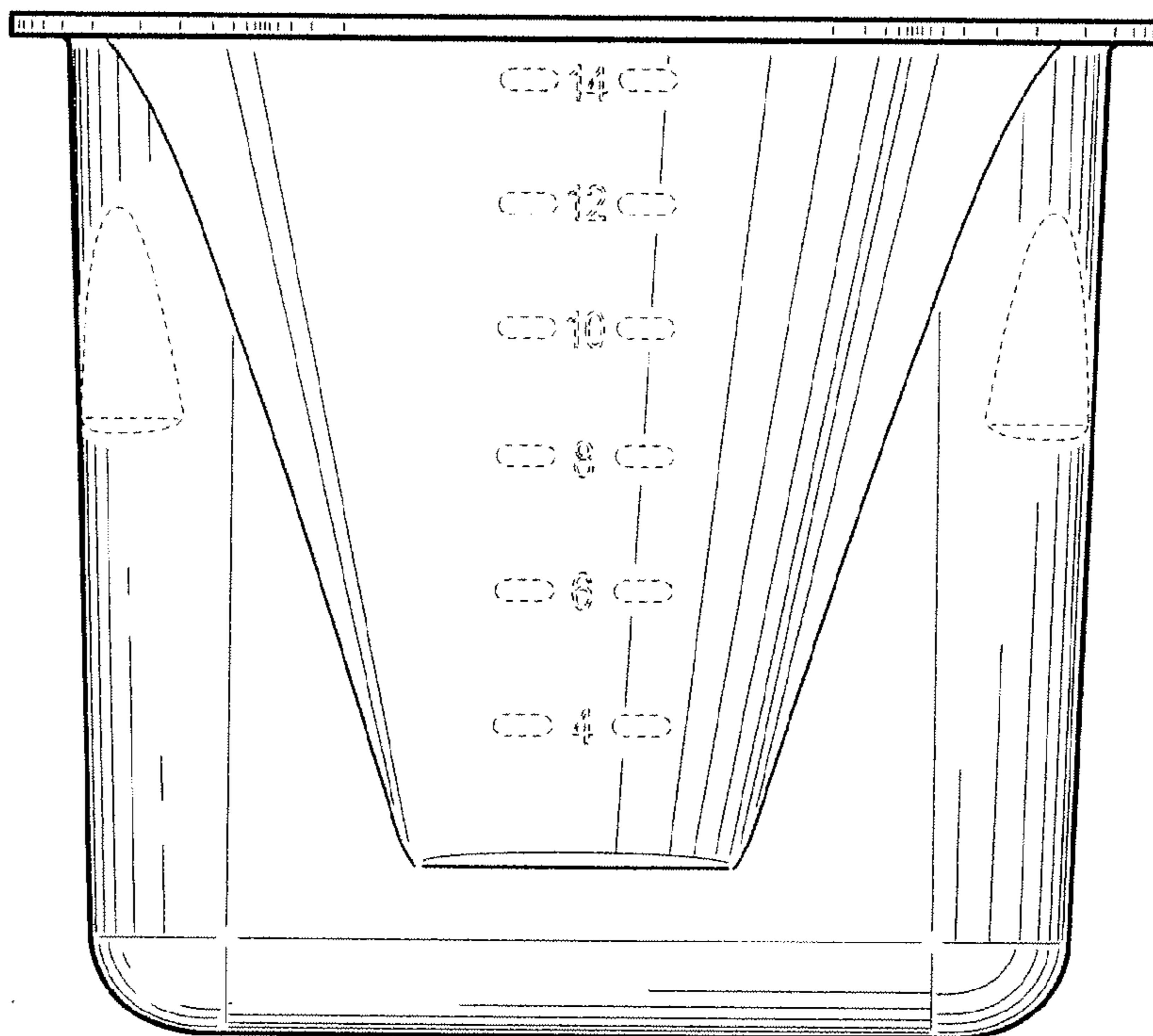
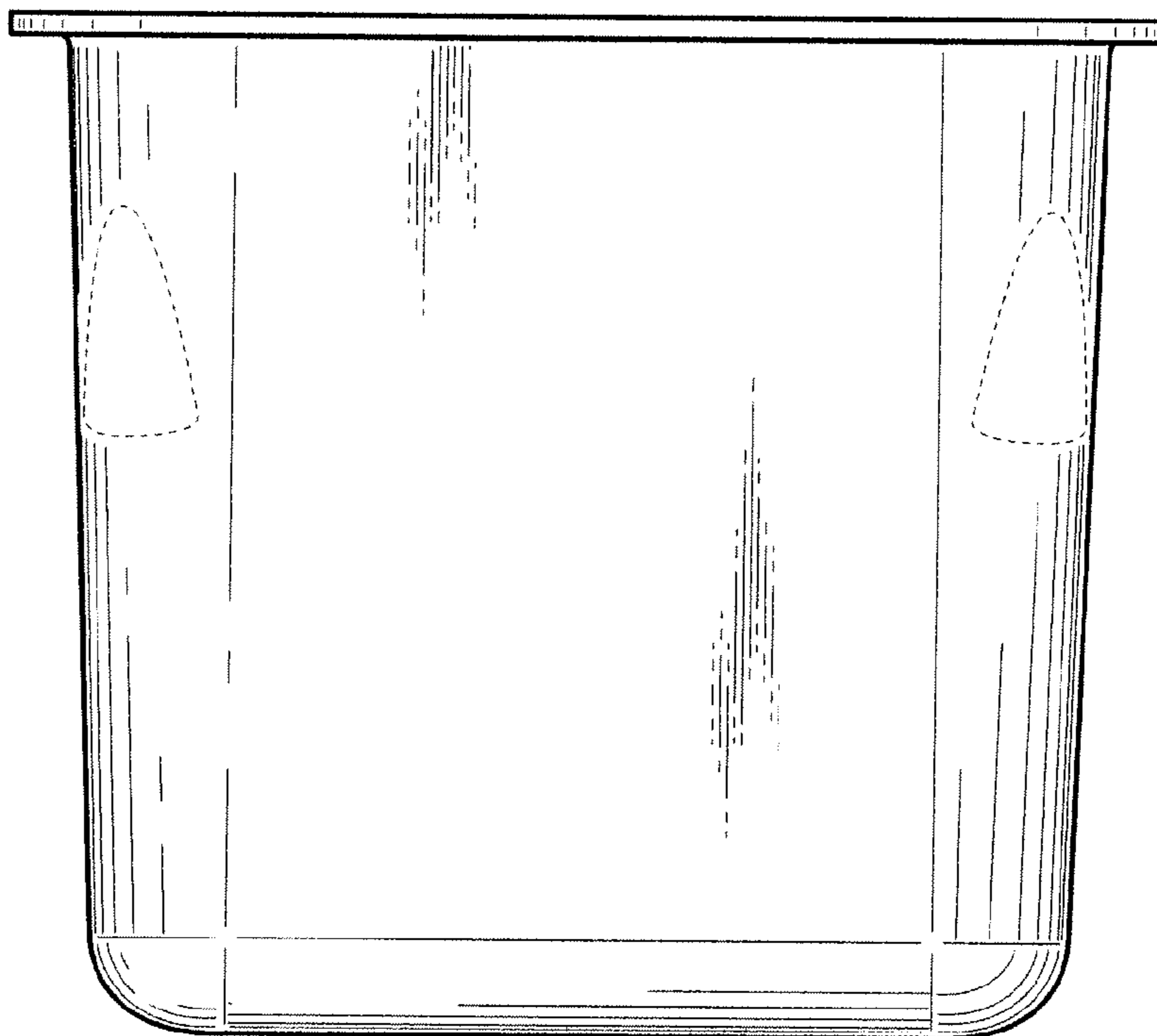


FIG. 3

**FIG. 4**



**FIG. 5**



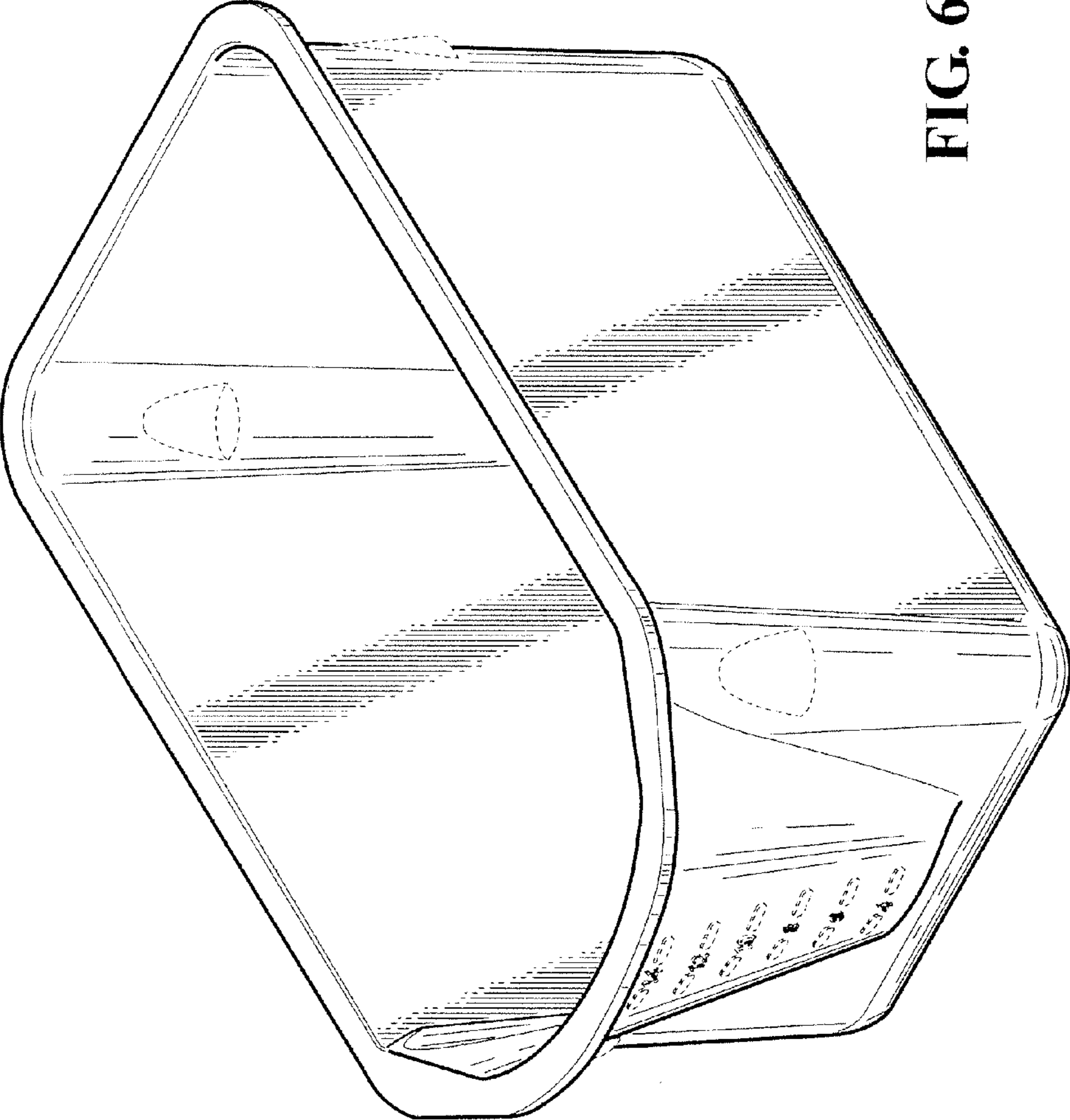


FIG. 6

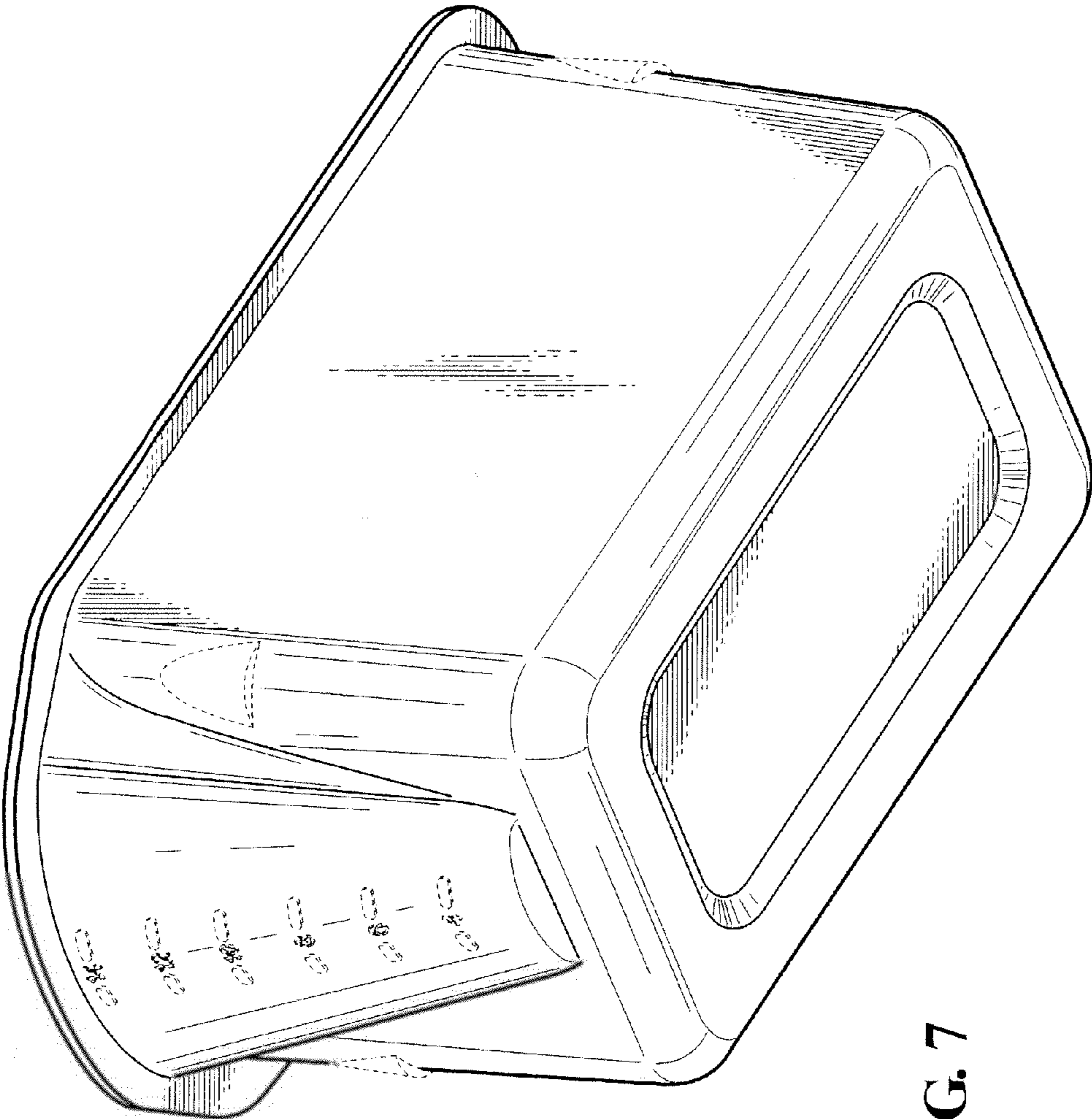


FIG. 7



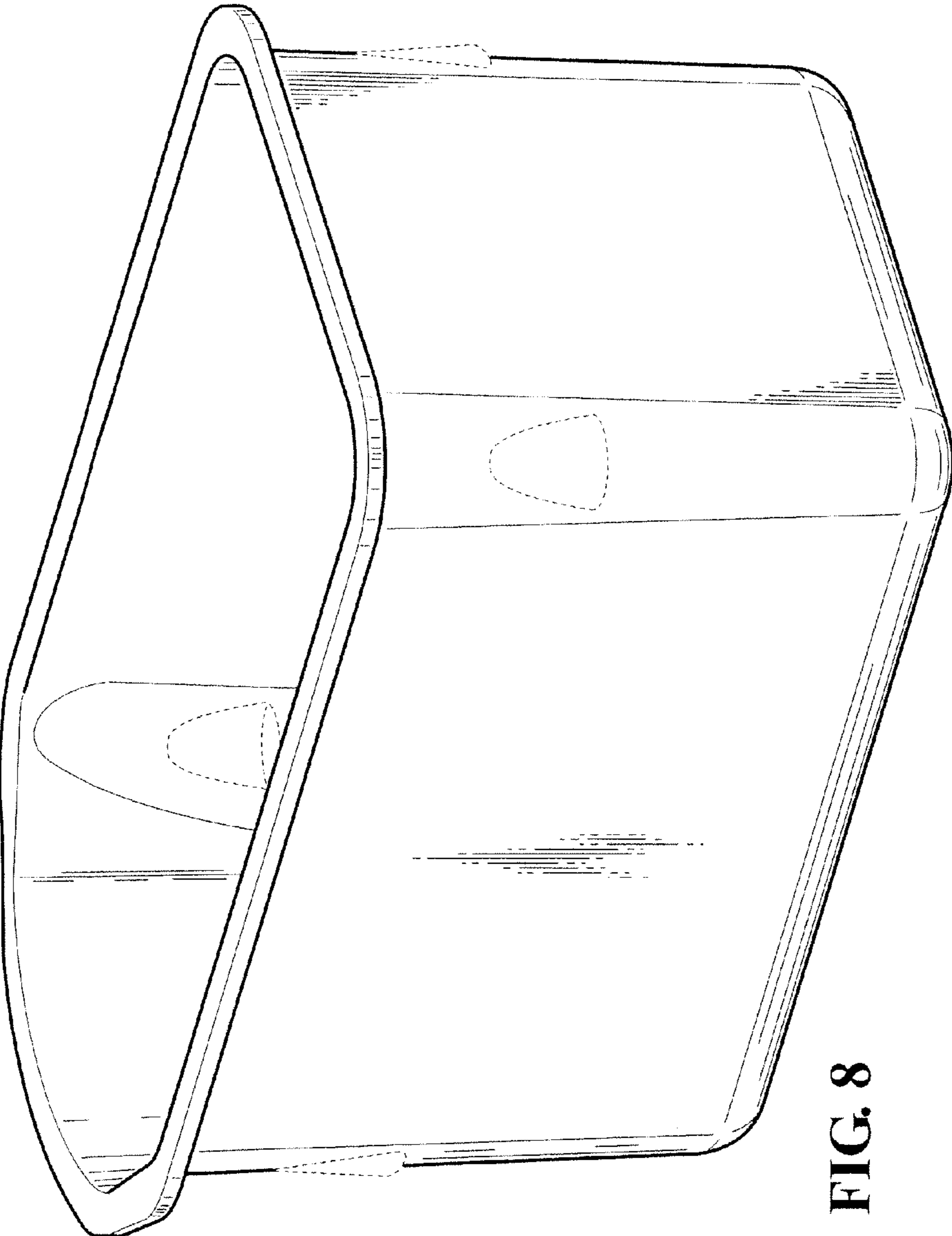


FIG. 8

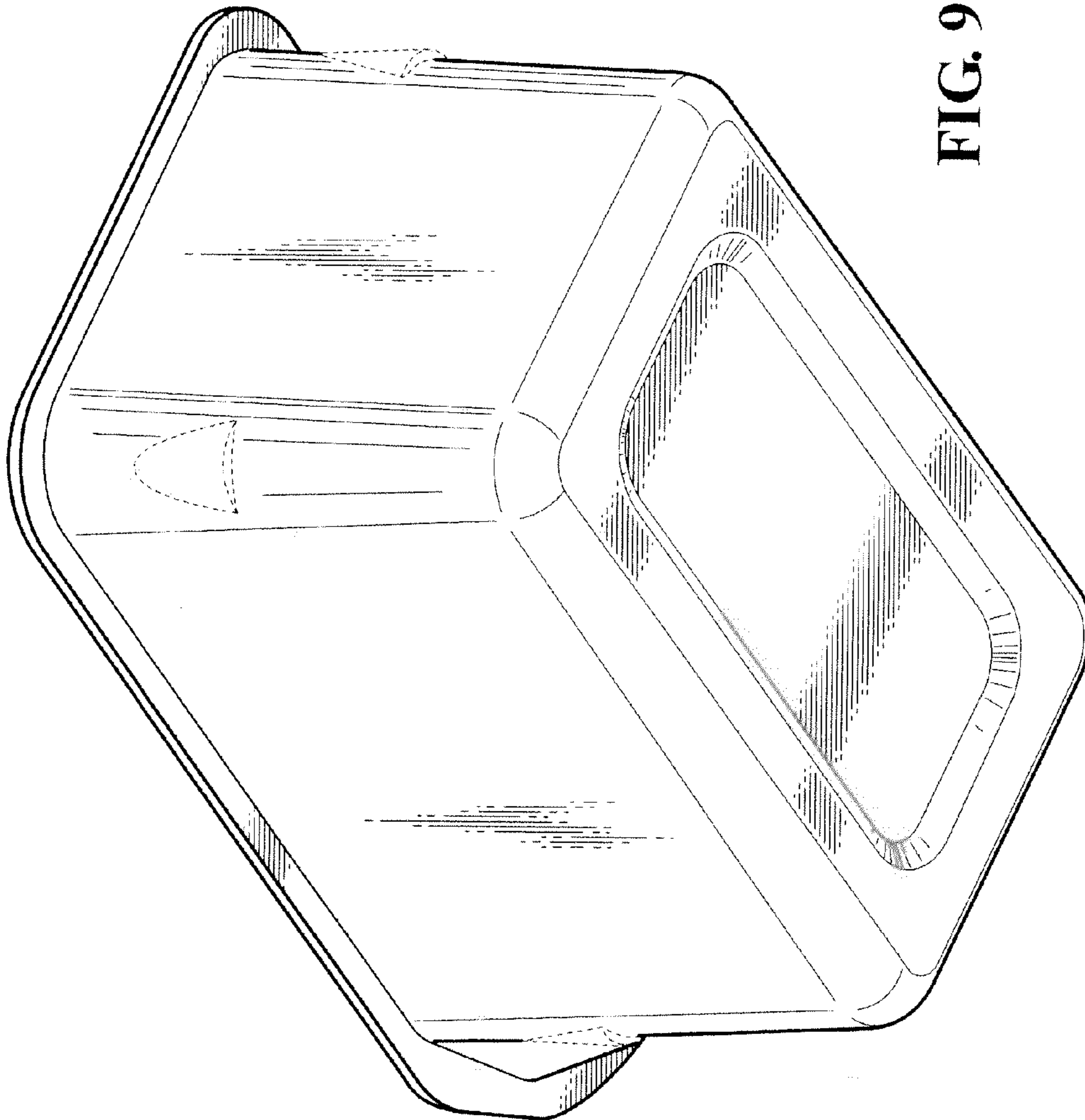


FIG. 9

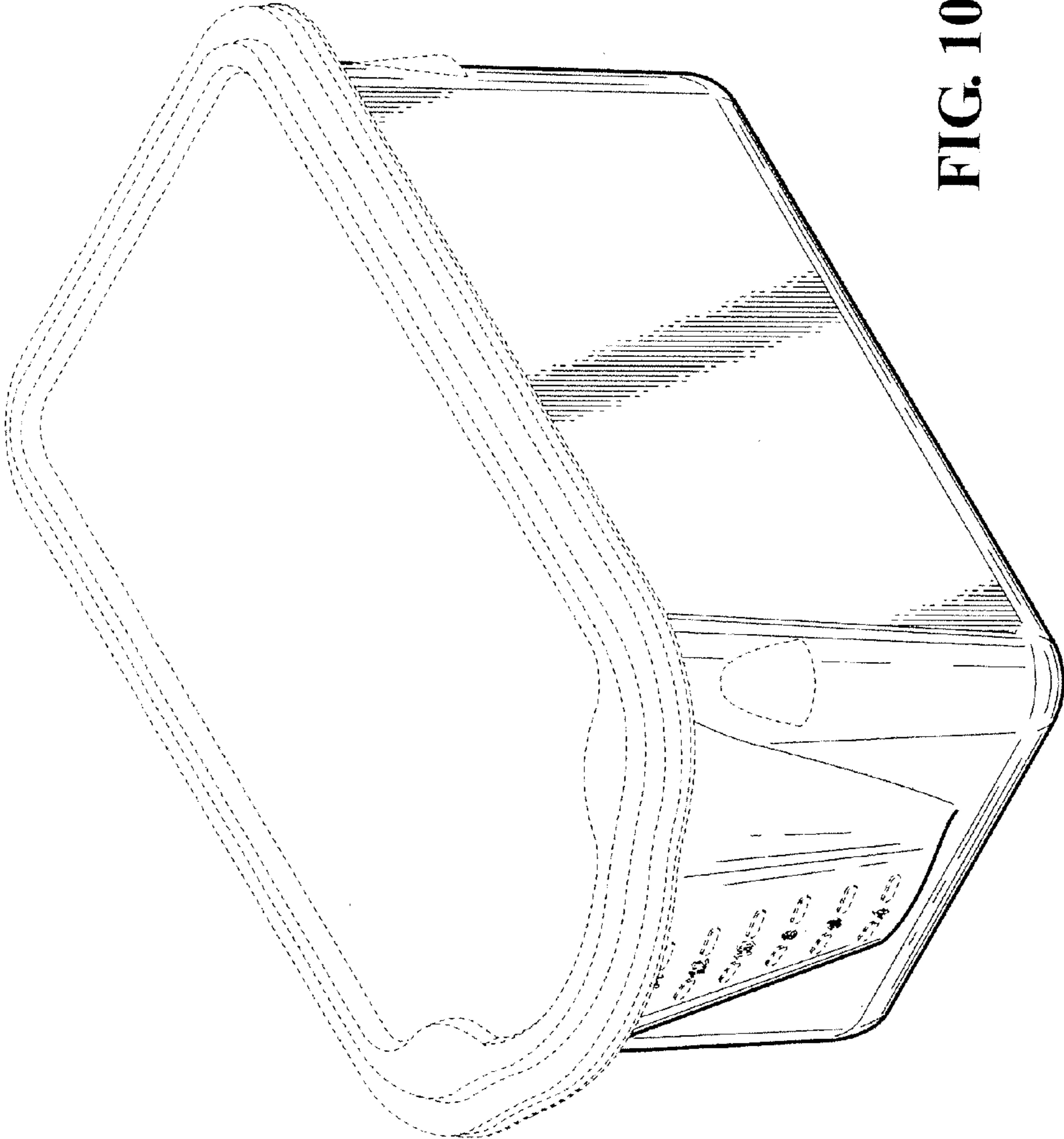


FIG. 10

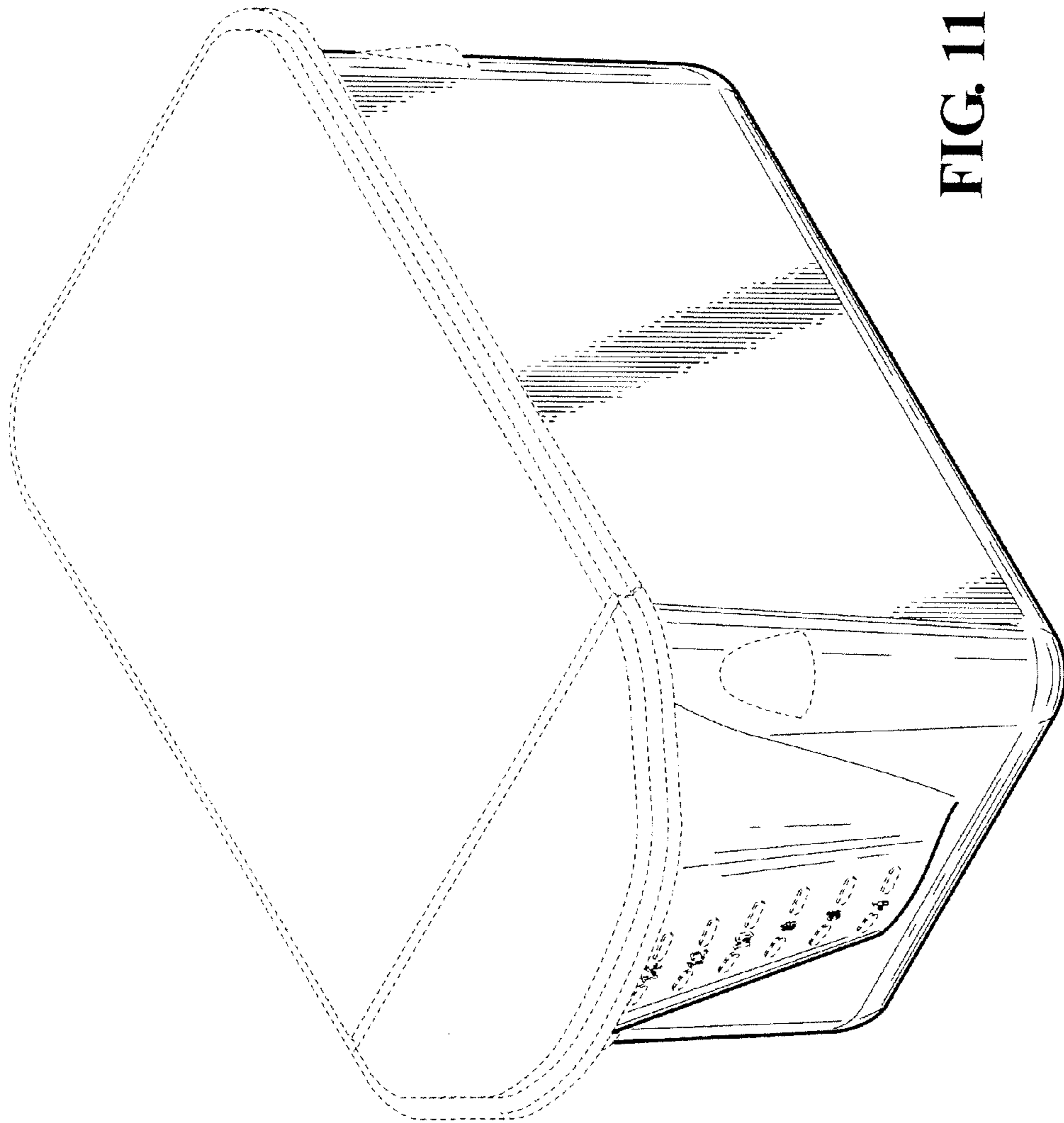


FIG. 11

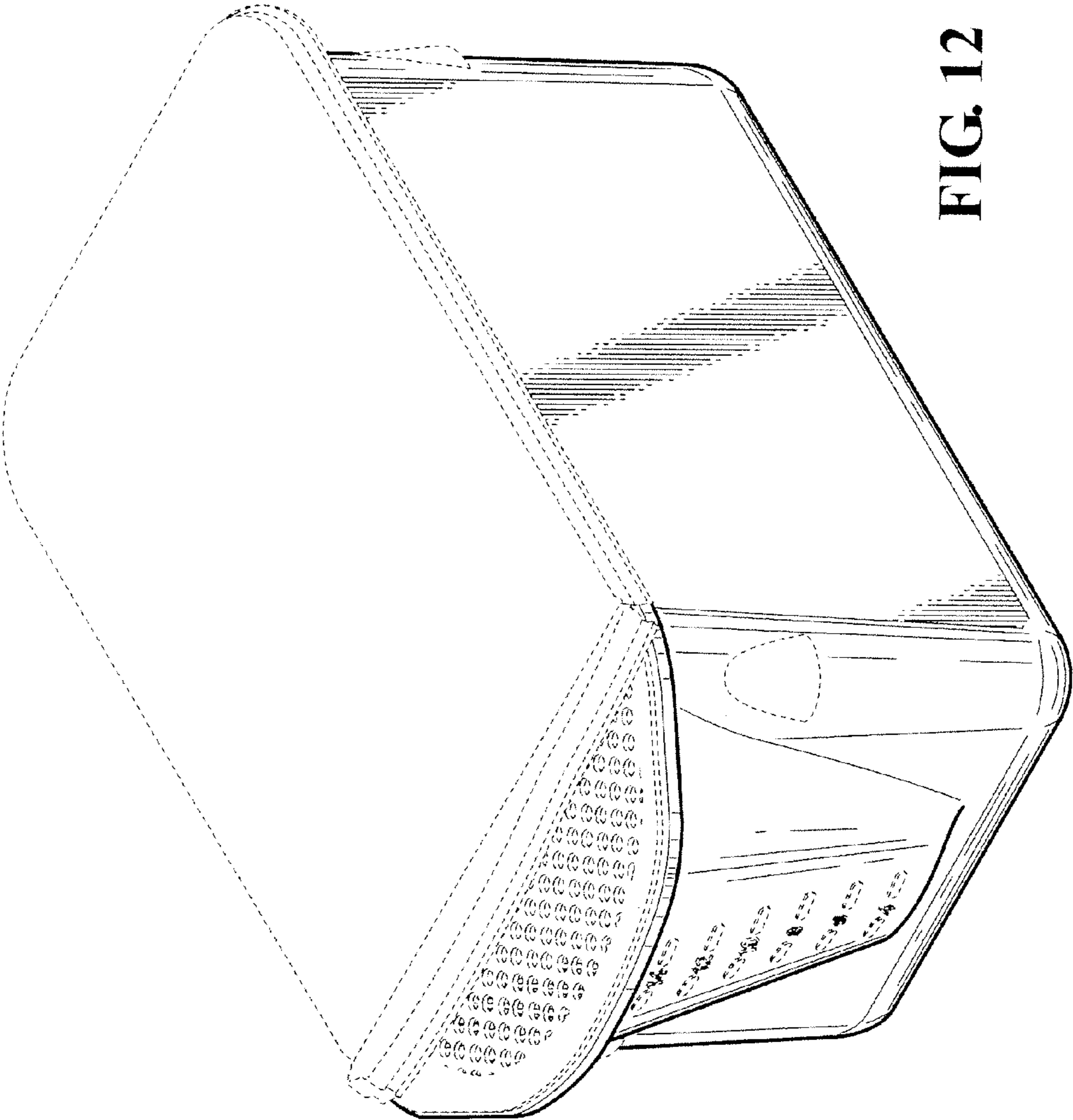


FIG. 12