



US00D689763S

(12) **United States Design Patent**
McCarthy

(10) **Patent No.:** **US D689,763 S**

(45) **Date of Patent:** **** Sep. 17, 2013**

(54) **SNOW GUARD**

(76) **Inventor:** **Jeffery J. McCarthy**, Springville, NY
(US)

(**) **Term:** **14 Years**

(21) **Appl. No.:** **29/419,430**

(22) **Filed:** **Apr. 27, 2012**

(51) **LOC (9) Cl.** **08-99**

(52) **U.S. Cl.**
USPC **D8/499**

(58) **Field of Classification Search**
USPC D8/400-499; D25/199; 52/24-26,
52/545, 533, 98
See application file for complete search history.

(56) **References Cited**

U.S. PATENT DOCUMENTS

491,091	A	*	2/1893	Drake	122/510
3,296,750	A		1/1967	Zaleski		
D453,678	S	*	2/2002	McMullen	D8/499
D537,336	S	*	2/2007	Fisher	D8/499
D610,443	S	*	2/2010	Fisher	D8/499

D610,444	S	*	2/2010	Fisher	D8/499
D625,176	S		10/2010	Fisher		
2007/0245636	A1		10/2007	Ayer et al.		

* cited by examiner

Primary Examiner — Susan Bennett Hattan

Assistant Examiner — Janice Hallmark

(74) *Attorney, Agent, or Firm* — Vincent G. LoTempio;
Kloss, Stenger & LoTempio; David T. Stephenson

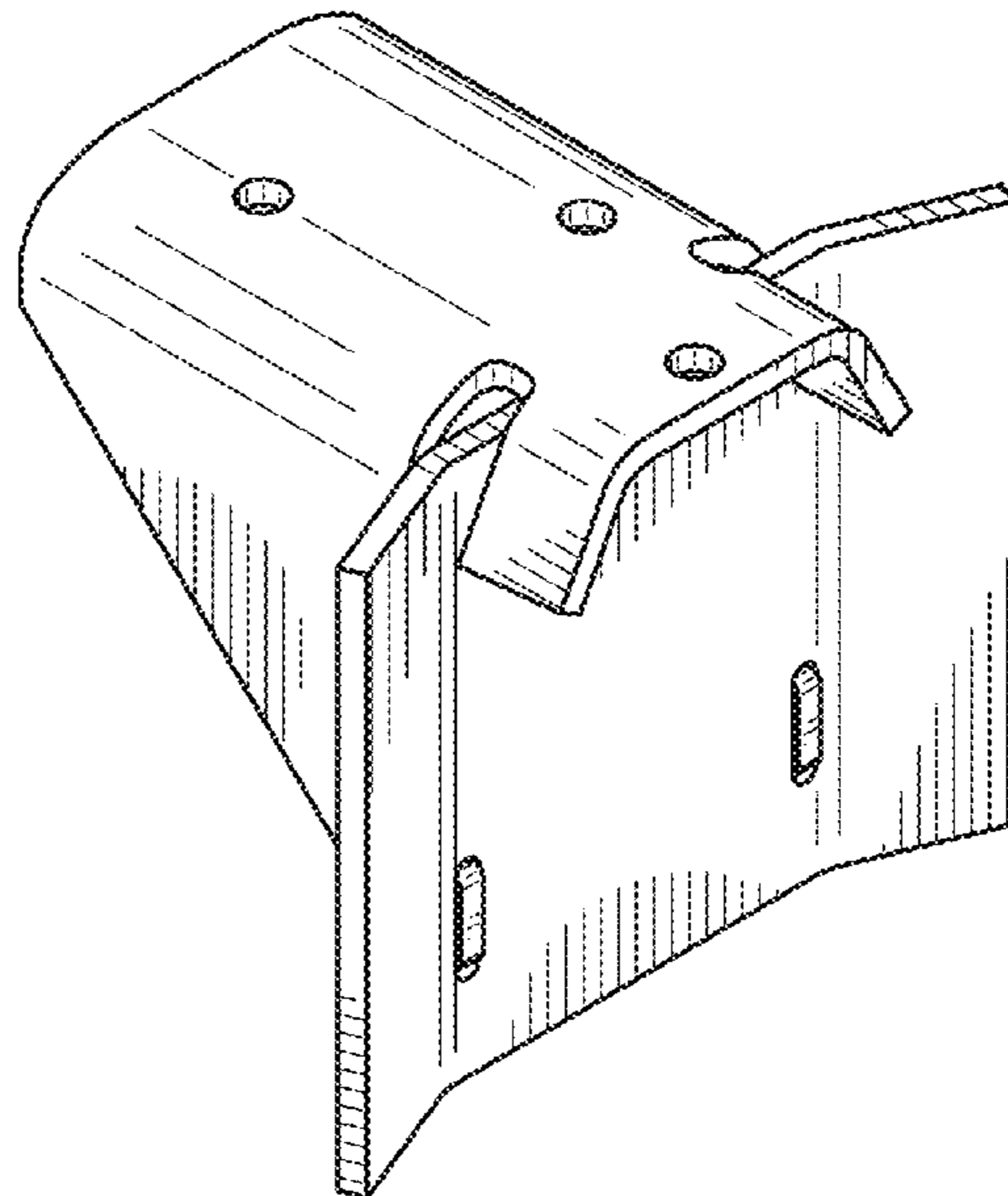
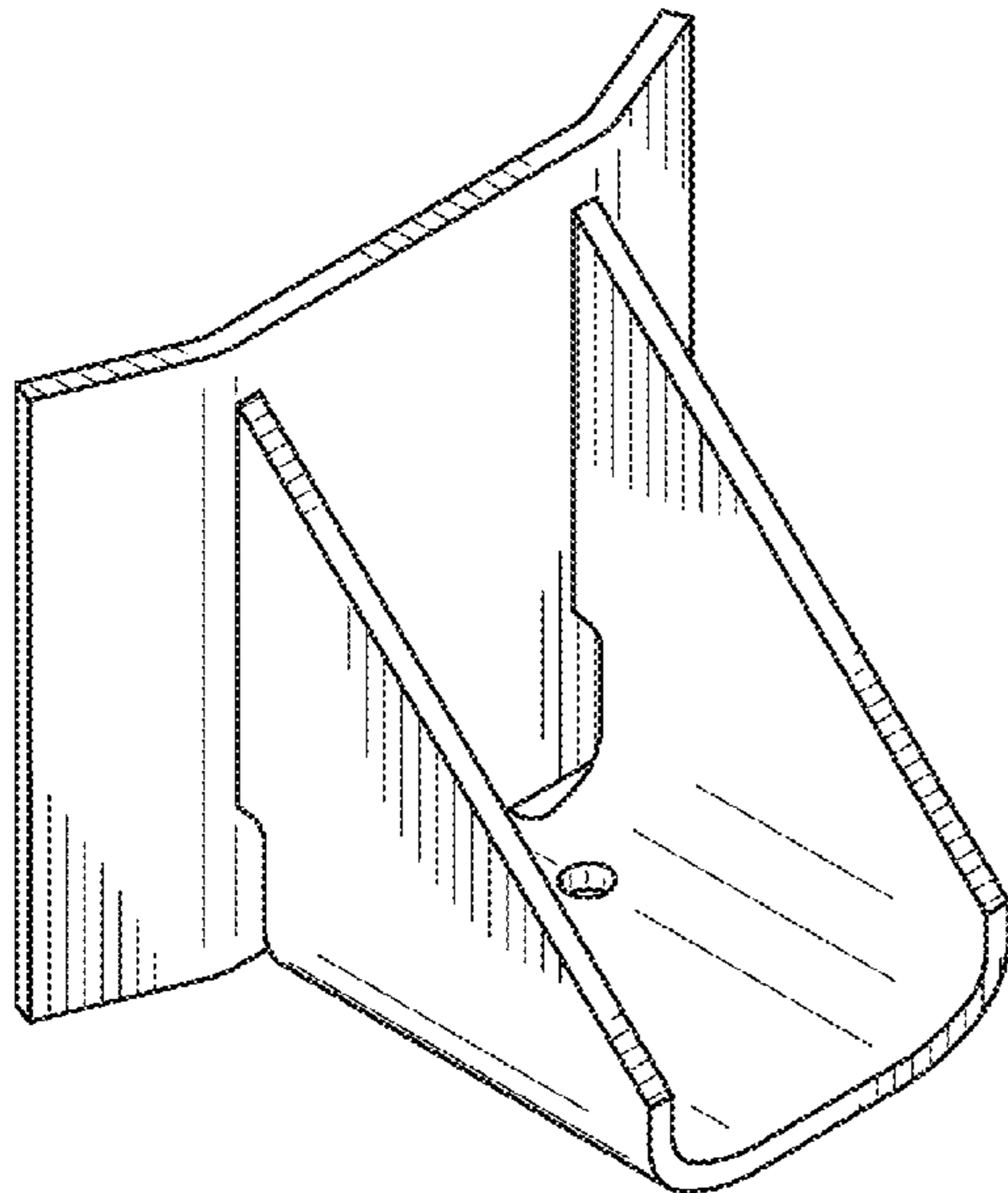
(57) **CLAIM**

The ornamental design for a snow guard, as shown and described.

DESCRIPTION

FIG. 1 is a back perspective view of the snow guard of my design;
FIG. 2 is a bottom perspective view thereof;
FIG. 3 is a back view thereof;
FIG. 4 is a front view thereof;
FIG. 5 is a side view thereof;
FIG. 6 is a side view thereof;
FIG. 7 is a top view thereof; and,
FIG. 8 is a bottom view thereof.

1 Claim, 4 Drawing Sheets



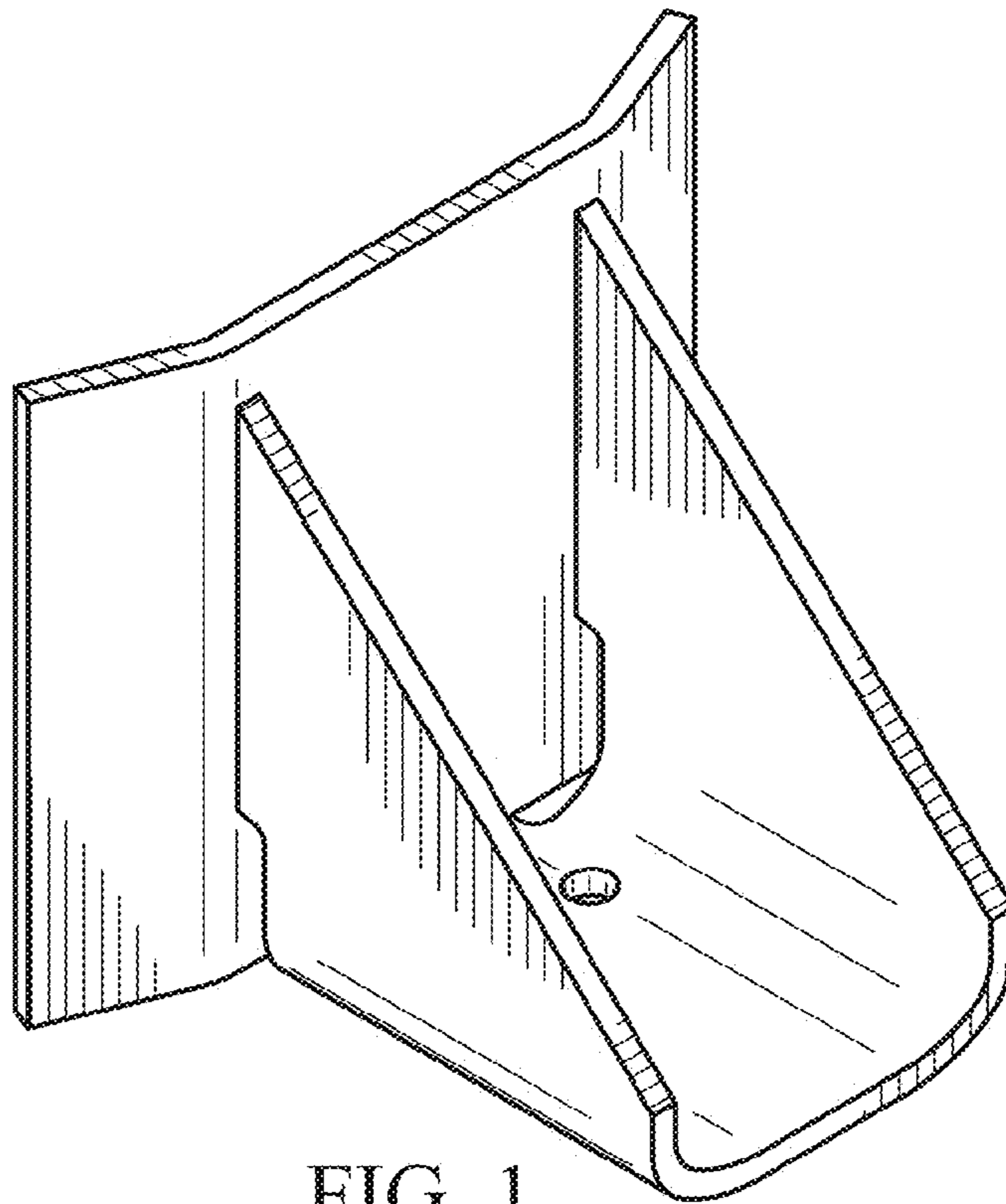


FIG. 1

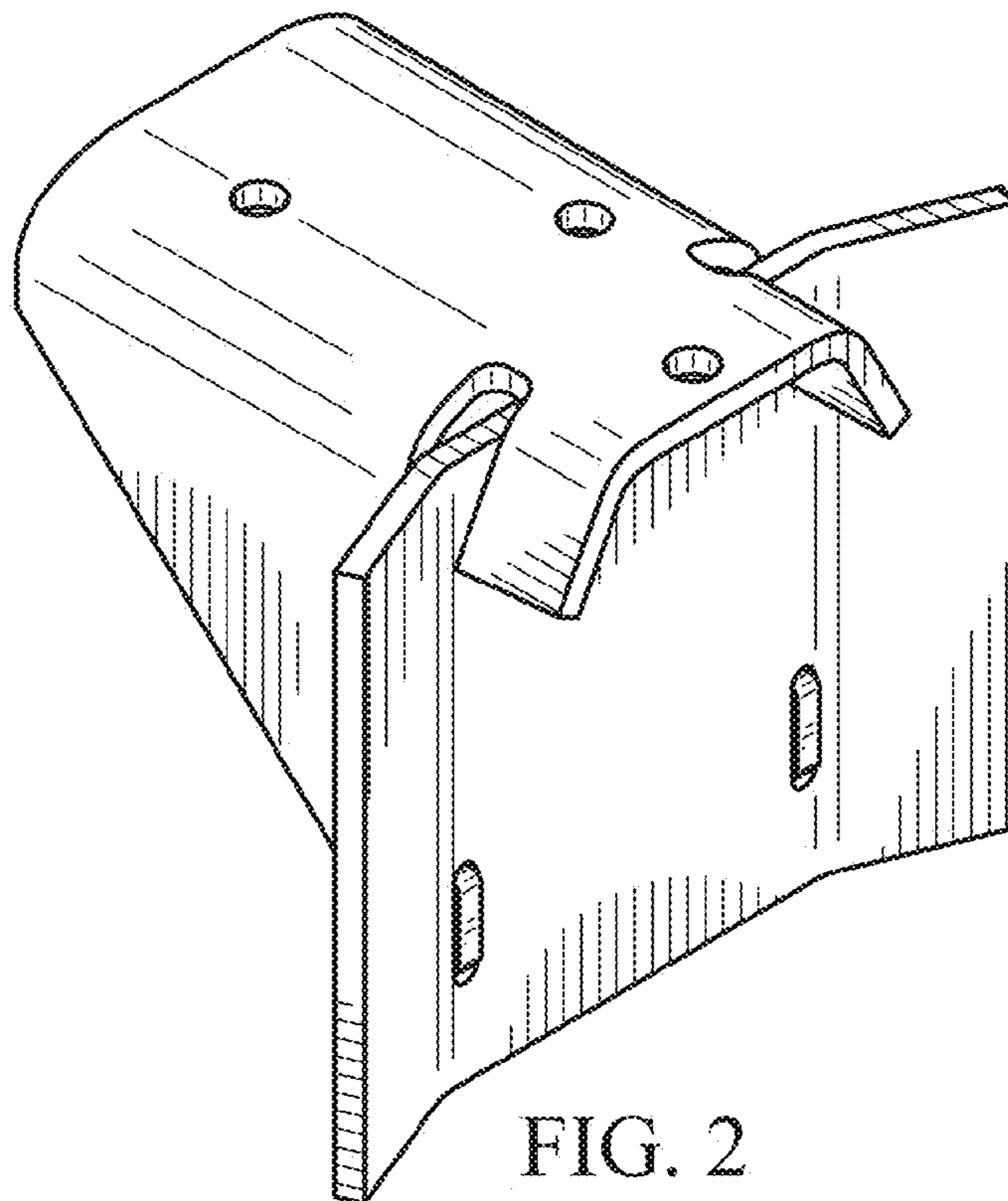


FIG. 2

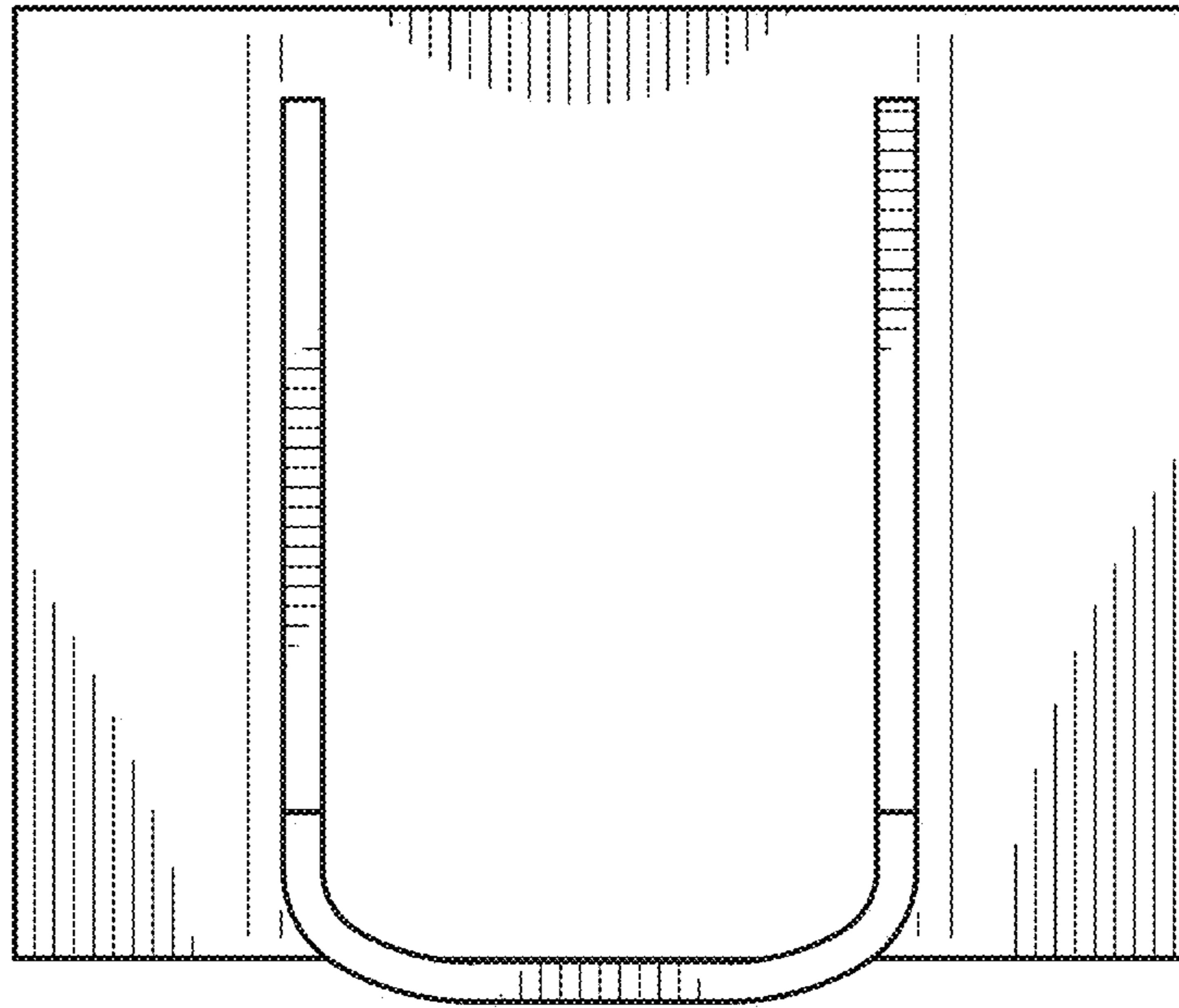


FIG. 3

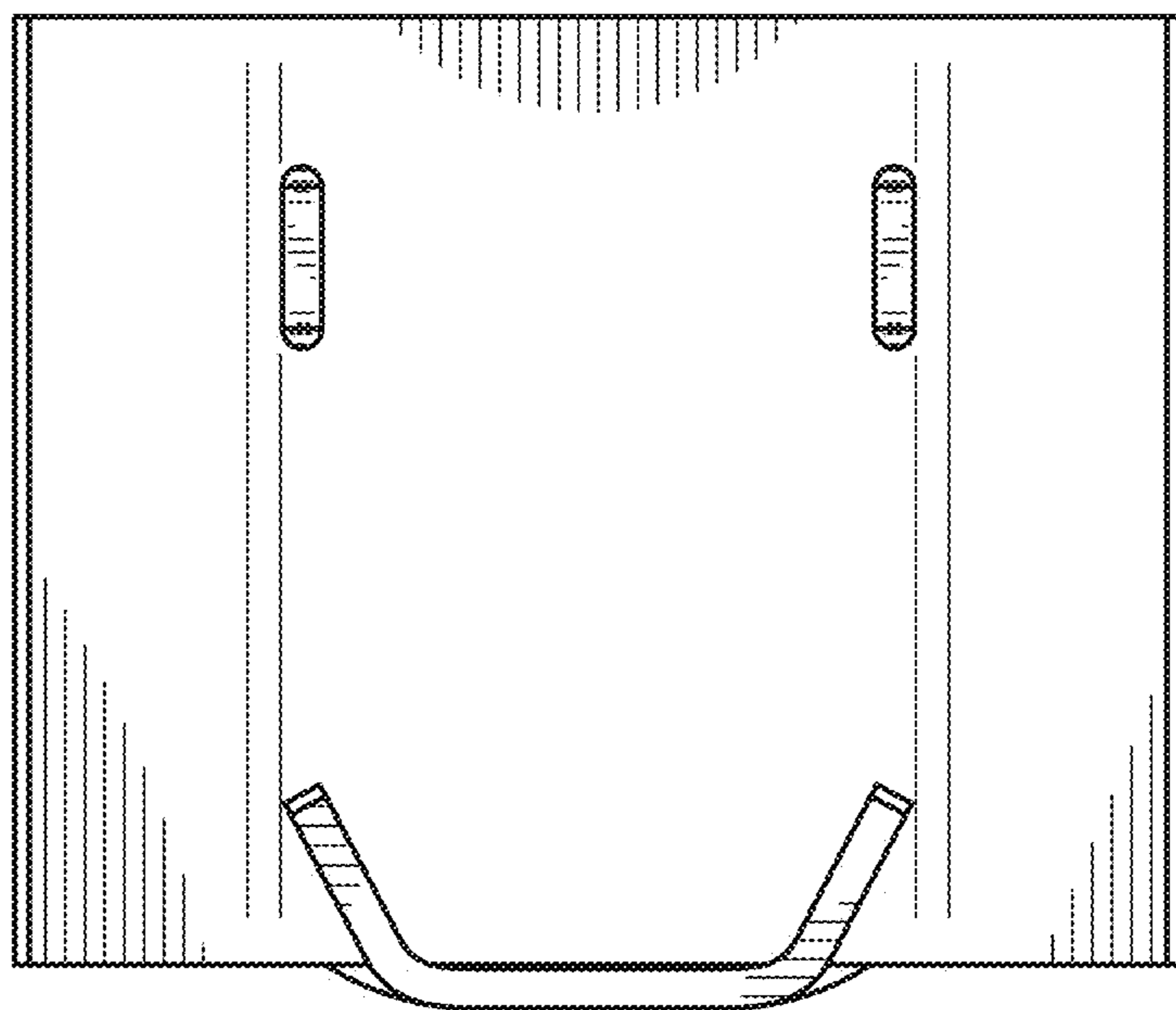


FIG. 4

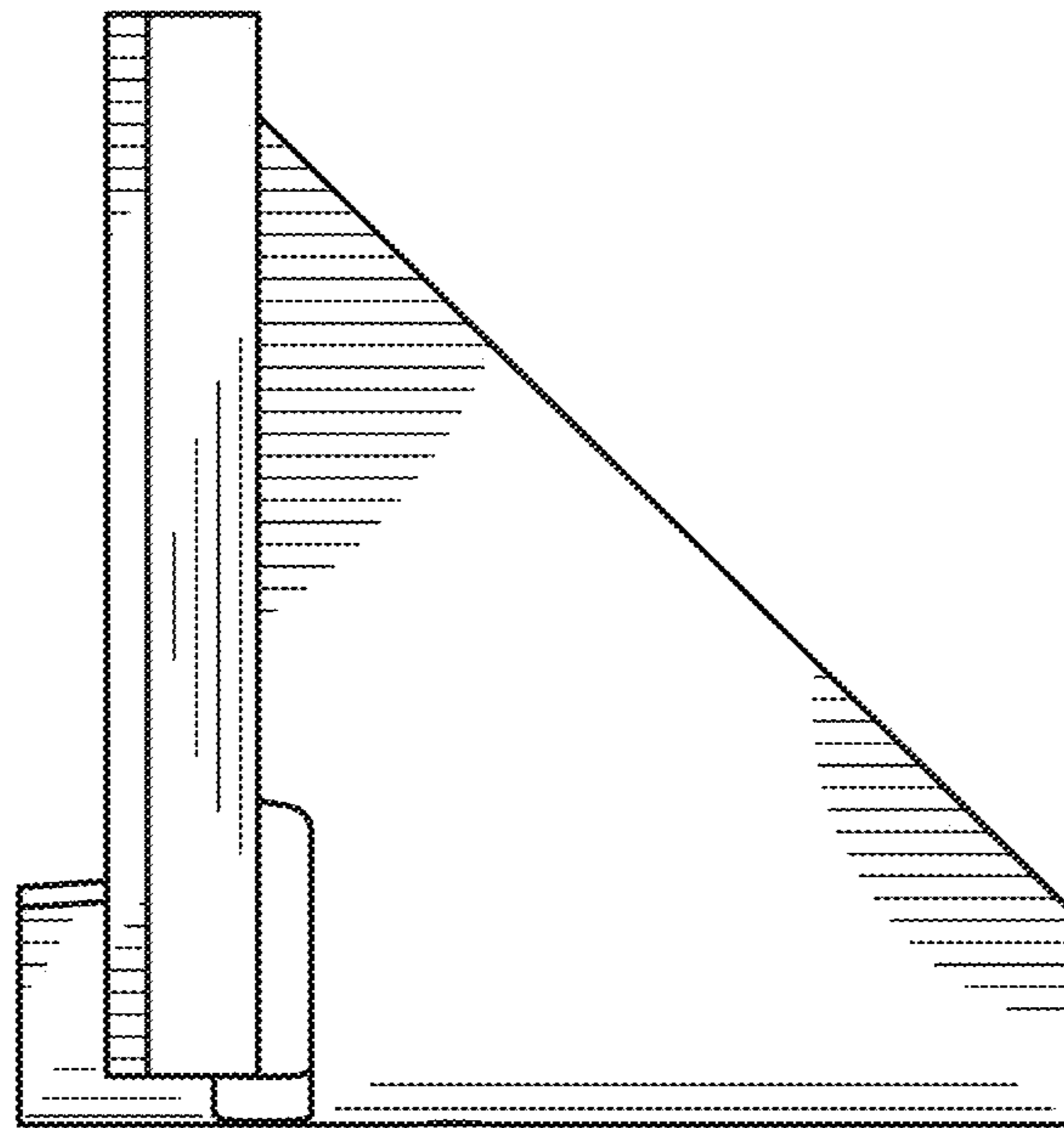


FIG. 5

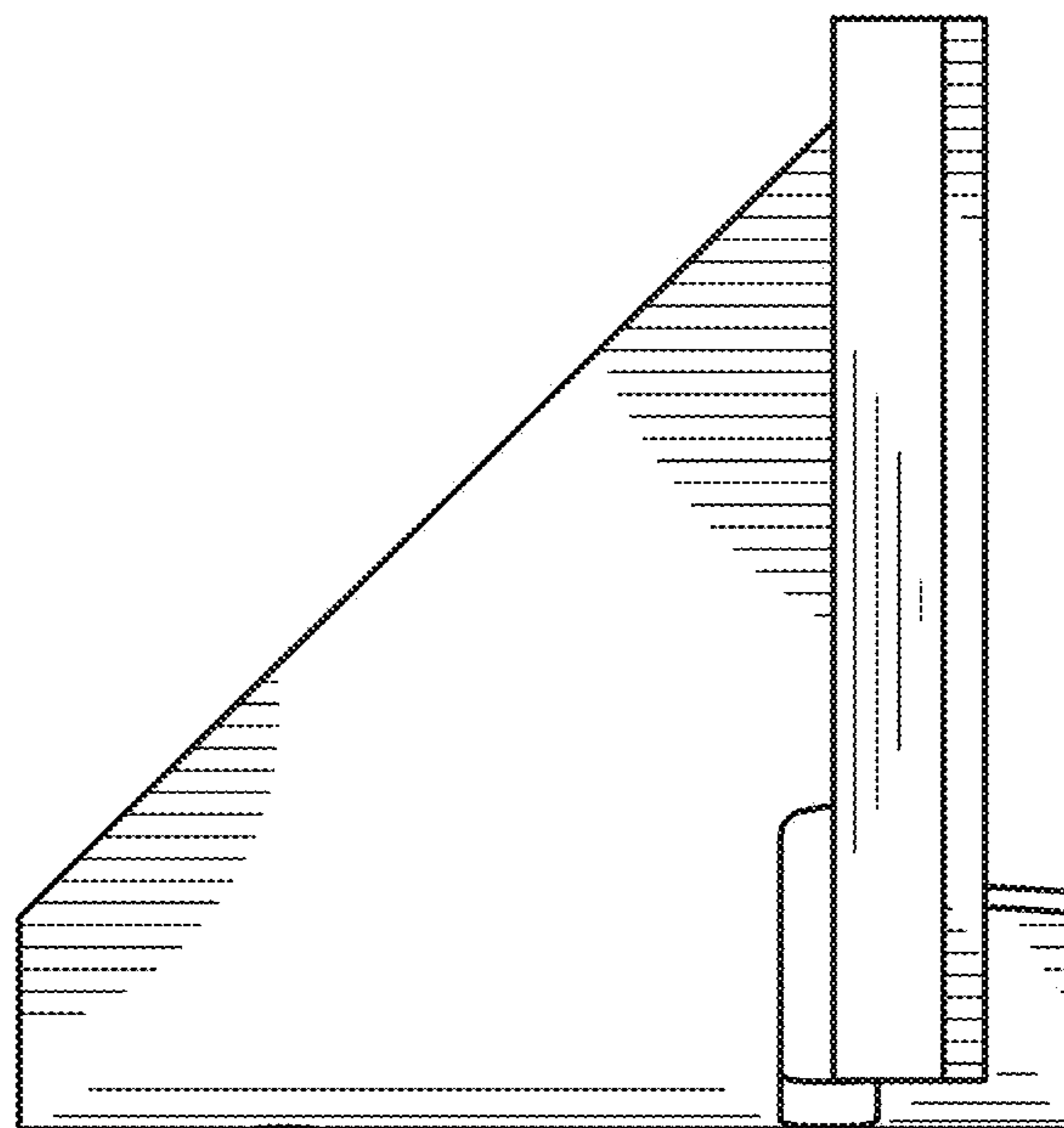


FIG. 6

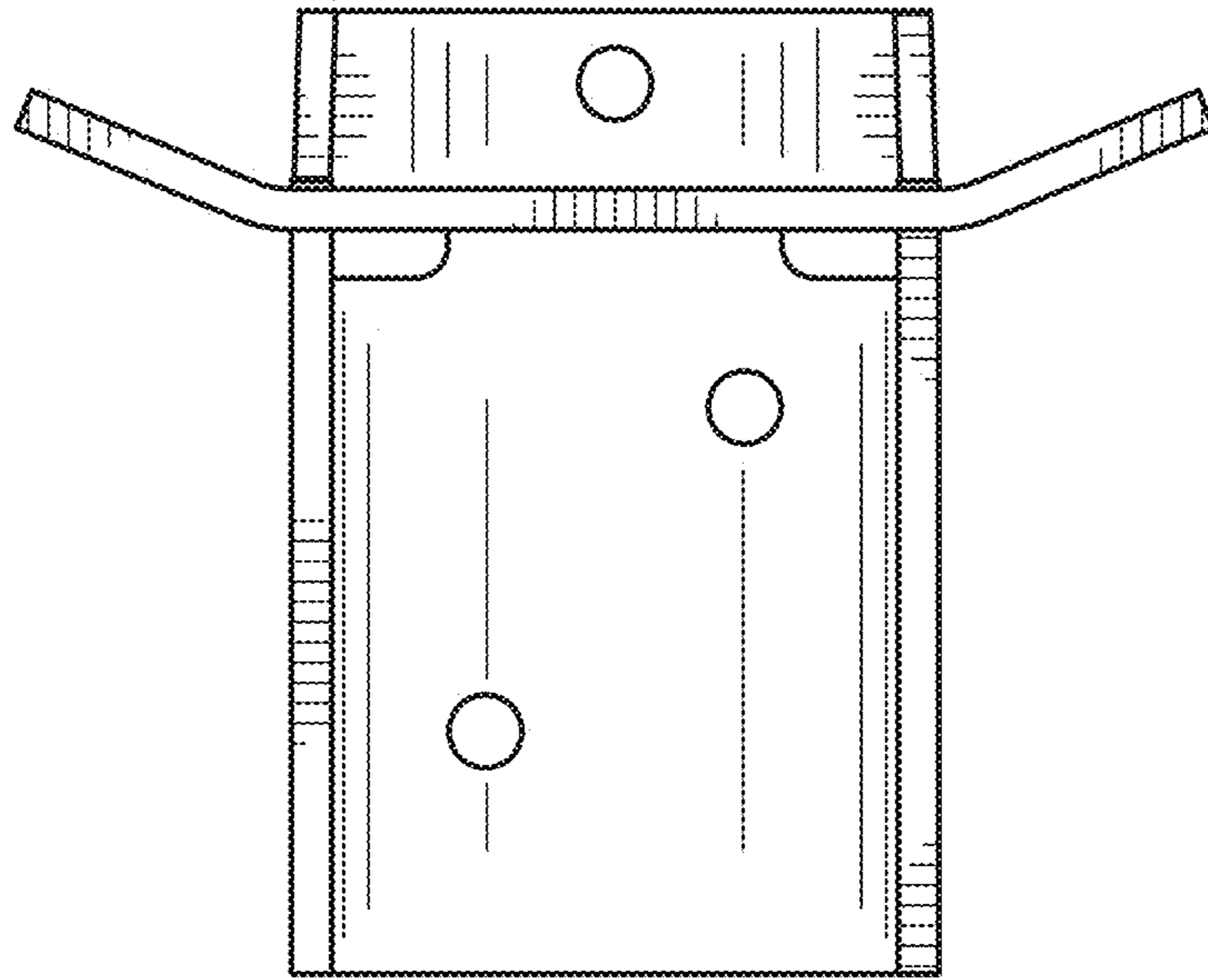


FIG. 7

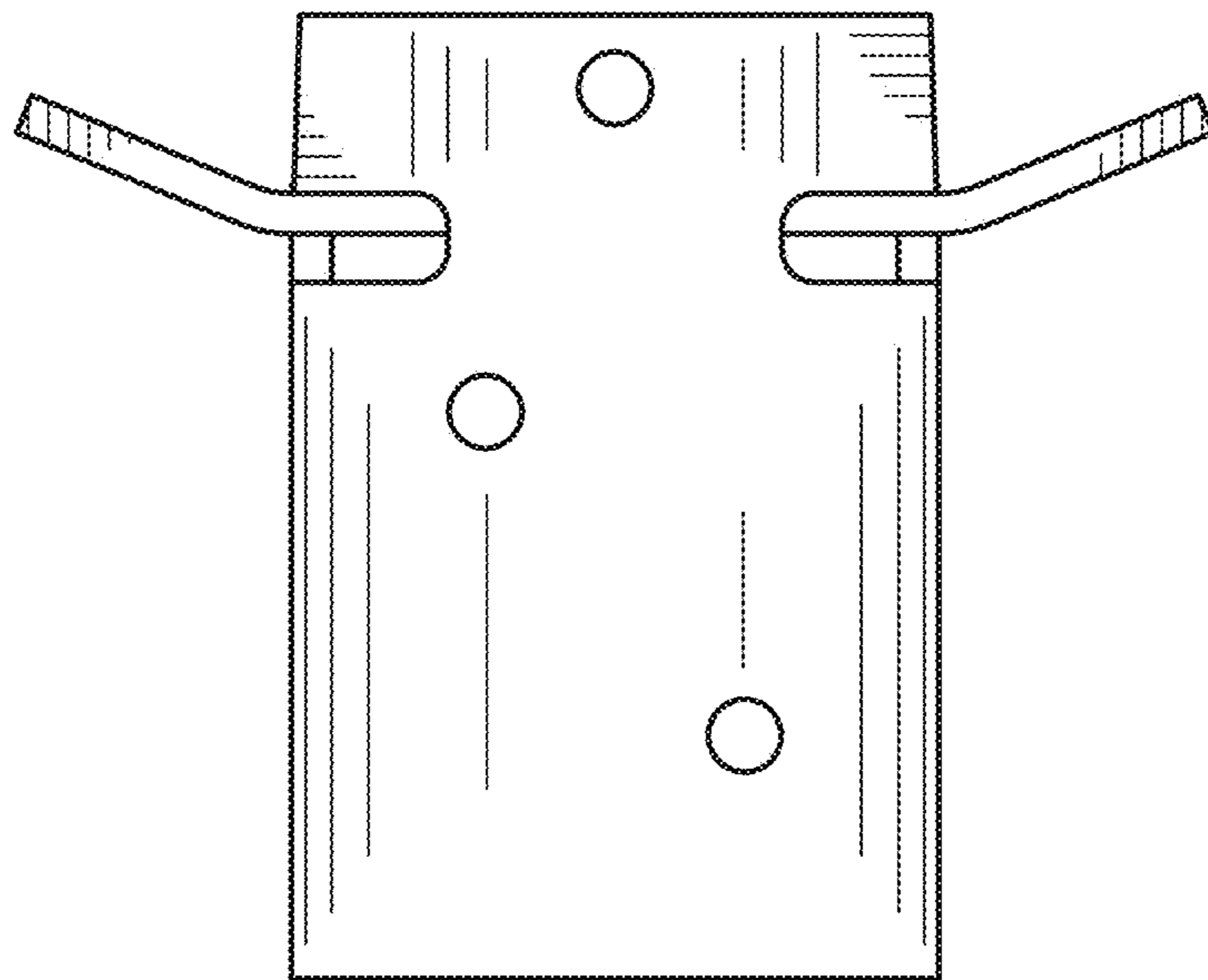


FIG. 8