



US00D689762S

(12) **United States Design Patent**
Yamazaki et al.

(10) **Patent No.:** **US D689,762 S**
(45) **Date of Patent:** **** Sep. 17, 2013**

(54) **LOCKING CAP BOLT**

(75) Inventors: **Tadayoshi Yamazaki**, Nagano (JP);
Kazuki Yamazaki, Nagano (JP)

(73) Assignee: **Kabushiki Kaisha Yamazaki Active**,
Nagano (JP)

(**) Term: **14 Years**

(21) Appl. No.: **29/428,116**

(22) Filed: **Jul. 26, 2012**

(30) **Foreign Application Priority Data**

Apr. 11, 2012 (JP) 2012-008473

(51) **LOC (9) Cl.** **08-08**

(52) **U.S. Cl.**
USPC **D8/399**; D8/387

(58) **Field of Classification Search**
USPC D8/399, 382, 349, 397, 394, 70,
D8/387; 411/429, 432, 918, 179, 180;
D23/262; 285/321; 403/114, 115, 145,
403/146; 81/177.7, 177.75, 177.85; 29/525.2,
29/592

See application file for complete search history.

(56) **References Cited**

U.S. PATENT DOCUMENTS

D76,255 S * 9/1928 Nelson D8/397
2,370,352 A * 2/1945 Hosking 411/282
3,425,314 A * 2/1969 Ohlson 411/7
4,687,392 A * 8/1987 Bidwell 411/6
4,850,620 A * 7/1989 Puls 285/148.13
D311,131 S * 10/1990 Saito D8/397
4,962,582 A * 10/1990 Puls 29/527.4
D347,381 S * 5/1994 Carruthers D8/382
5,806,275 A * 9/1998 Giannuzzi et al. 52/704

D413,967 S * 9/1999 Yuen D23/262
6,135,691 A * 10/2000 Nadarajah et al. 411/431
6,318,763 B1 * 11/2001 Huang 285/256
D482,761 S * 11/2003 Gotoh et al. D23/262
6,808,350 B1 * 10/2004 Tooman et al. 411/431
D524,149 S * 7/2006 Kim D8/397
7,240,927 B2 * 7/2007 Chang 285/321
D579,761 S * 11/2008 Tooman D8/356
D588,893 S * 3/2009 Radich D8/70
8,176,817 B2 * 5/2012 Liu 81/177.75
D679,988 S * 4/2013 Yamazaki D8/397
2007/0151355 A1 * 7/2007 Marczynski et al. 73/761
2010/0080667 A1 * 4/2010 Reed 411/373

FOREIGN PATENT DOCUMENTS

JP 1437477 3/2012
JP 1437478 3/2012
JP 1439822 3/2012
JP 1439959 3/2012

* cited by examiner

Primary Examiner — Cynthia Underwood

(74) *Attorney, Agent, or Firm* — Jacobson Holman PLLC

(57) **CLAIM**

The ornamental design for locking cap bolt, as shown and described.

DESCRIPTION

FIG. 1 is a top perspective view showing our new design for locking cap bolt,

FIG. 2 is a bottom perspective view thereof,

FIG. 3 is a front view thereof,

FIG. 4 is a rear view thereof,

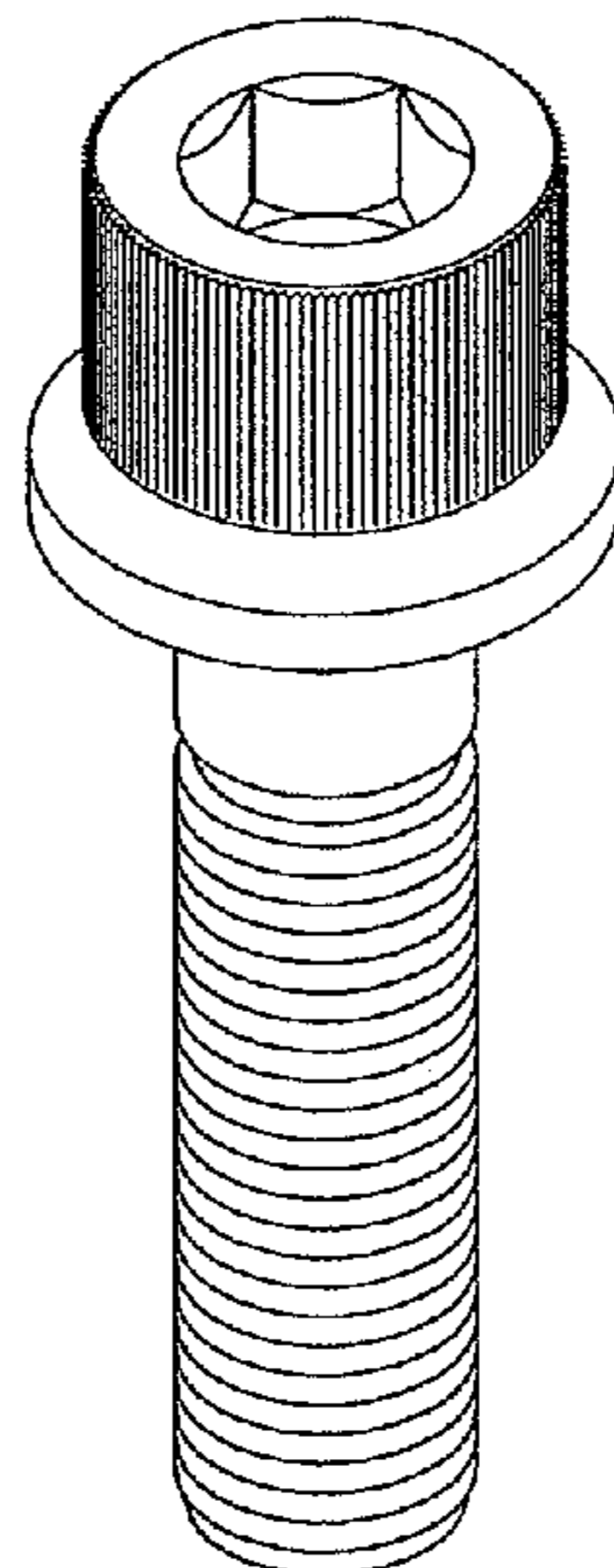
FIG. 5 is a left side view thereof,

FIG. 6 is a right side view thereof,

FIG. 7 is a top view thereof; and,

FIG. 8 is a bottom view thereof.

1 Claim, 8 Drawing Sheets



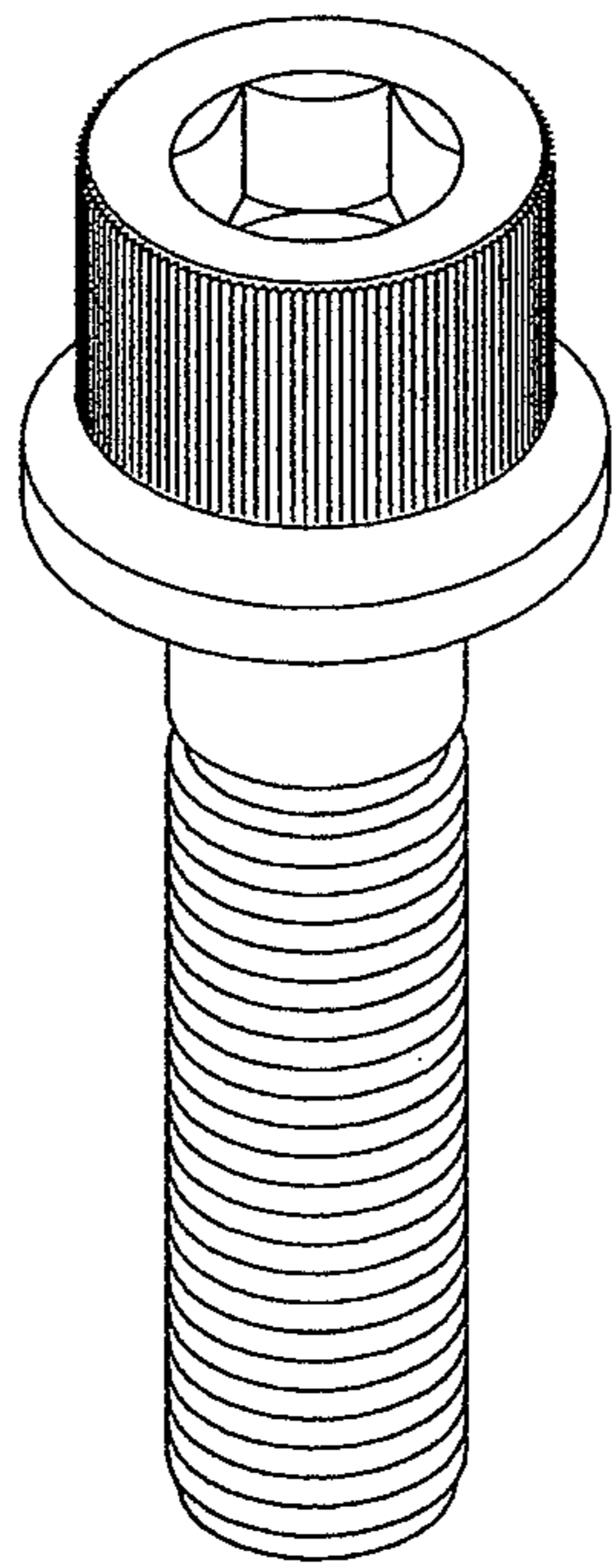


FIGURE 1

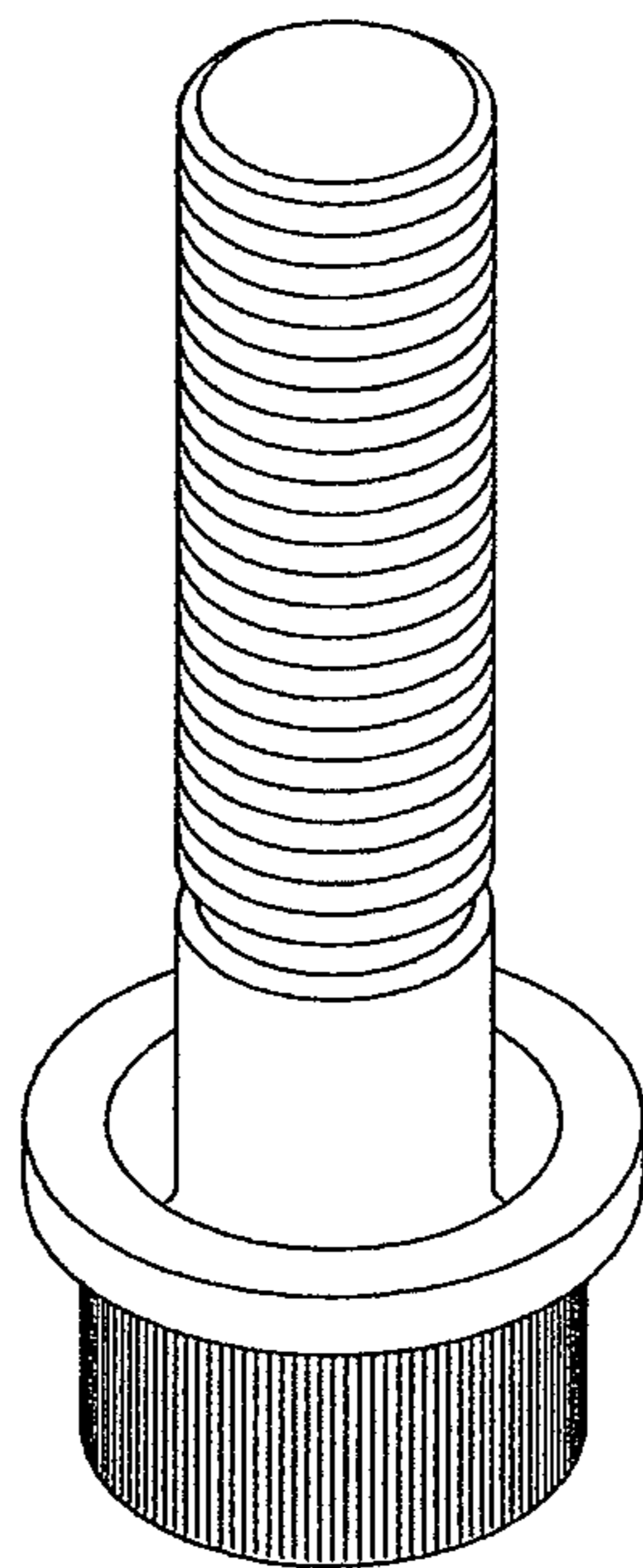


FIGURE 2

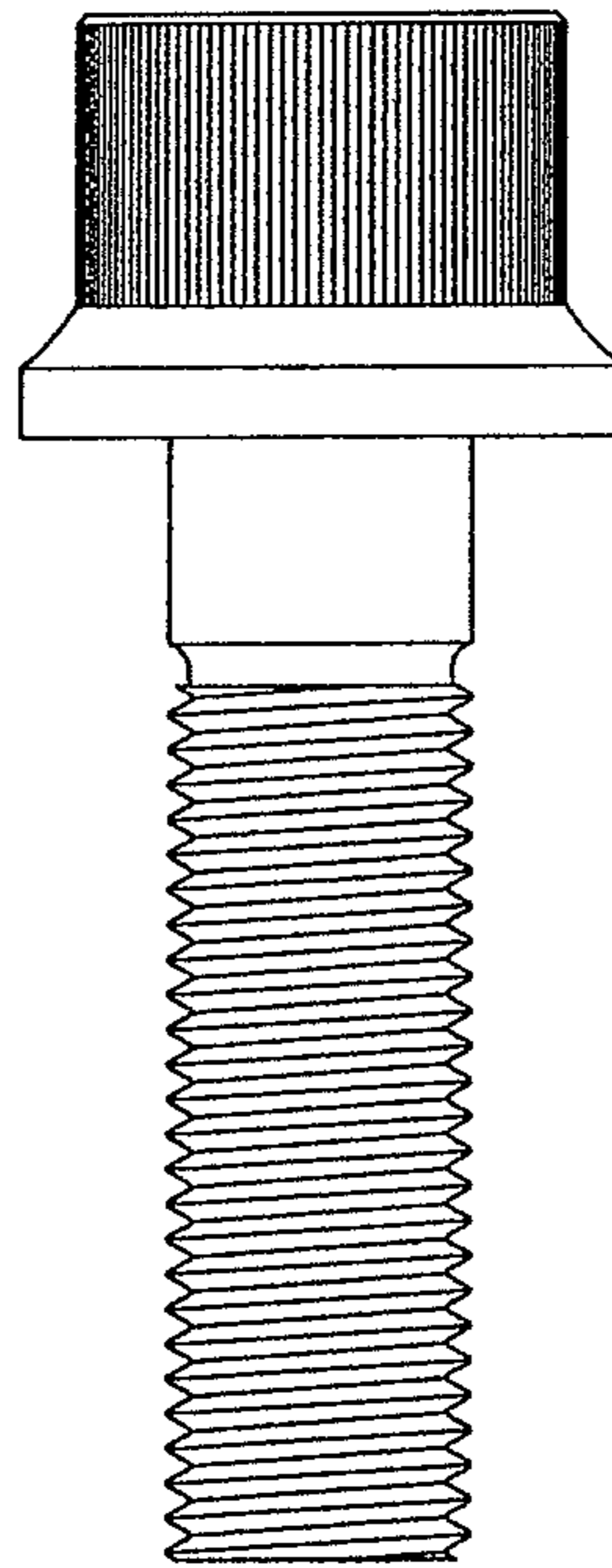


FIGURE 3

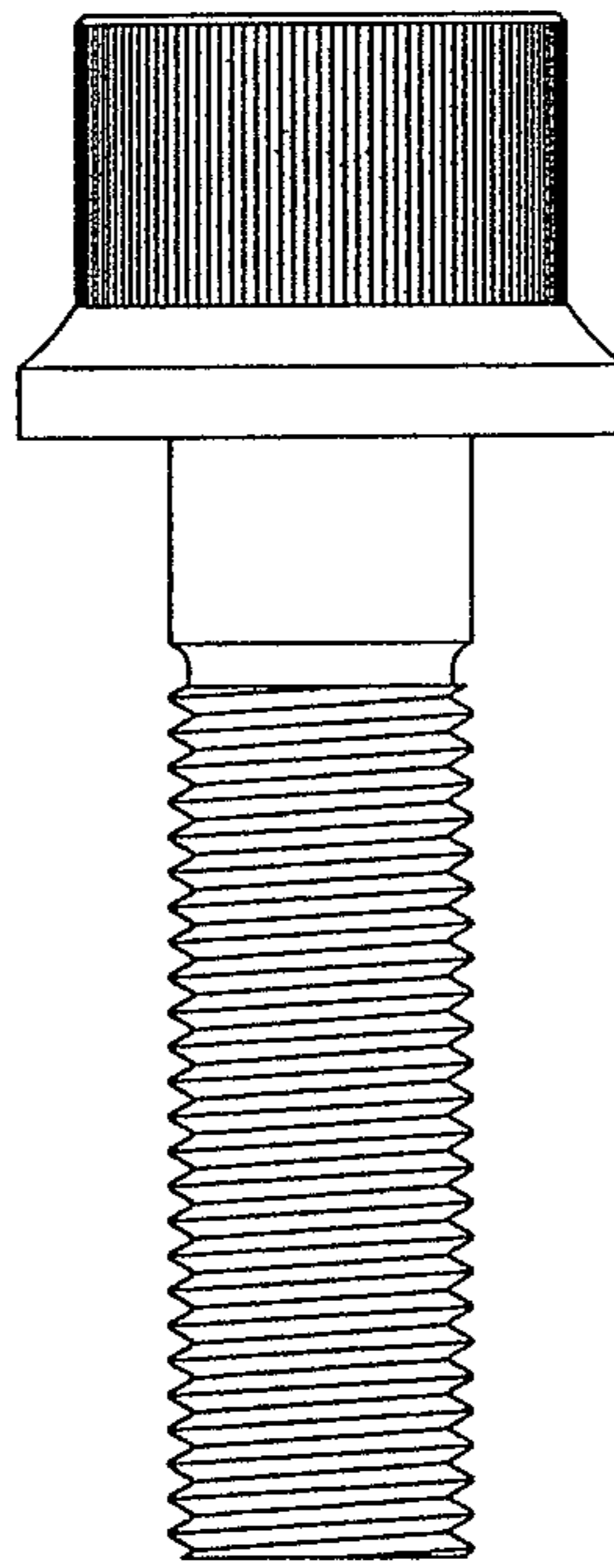


FIGURE 4

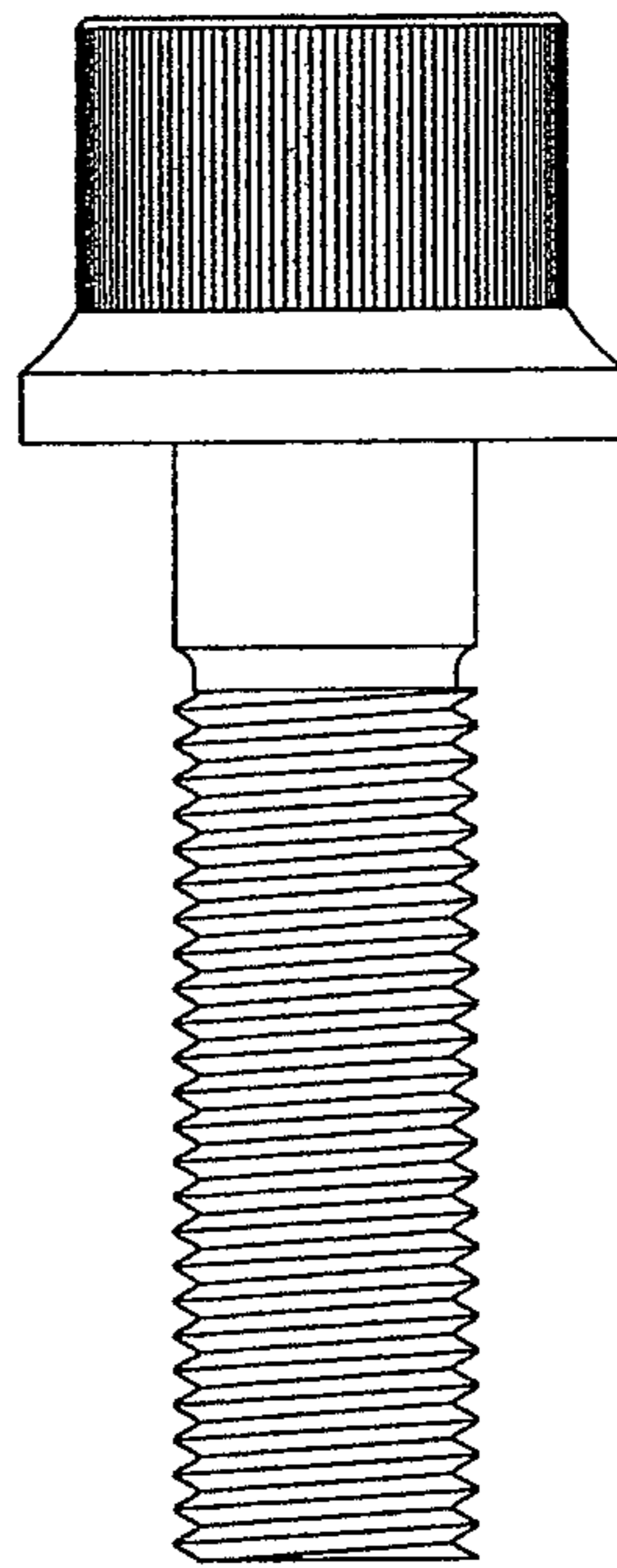


FIGURE 5

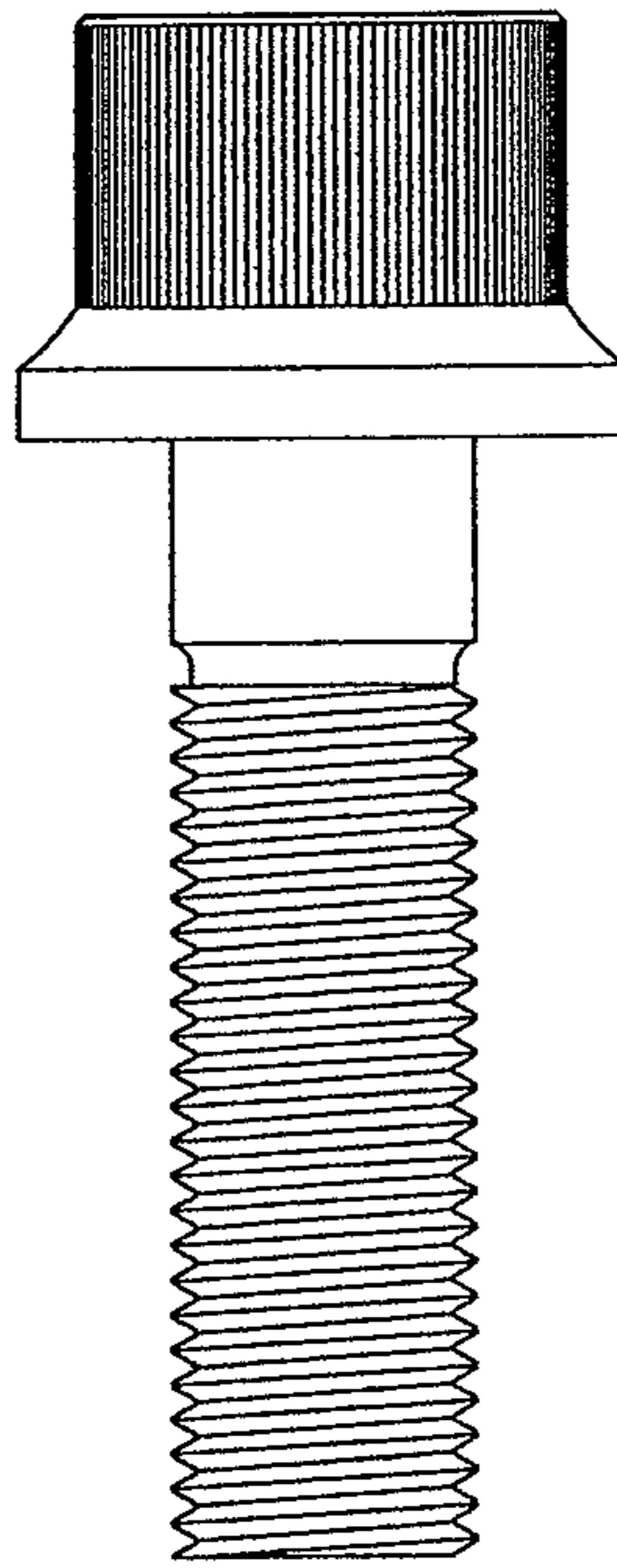


FIGURE 6

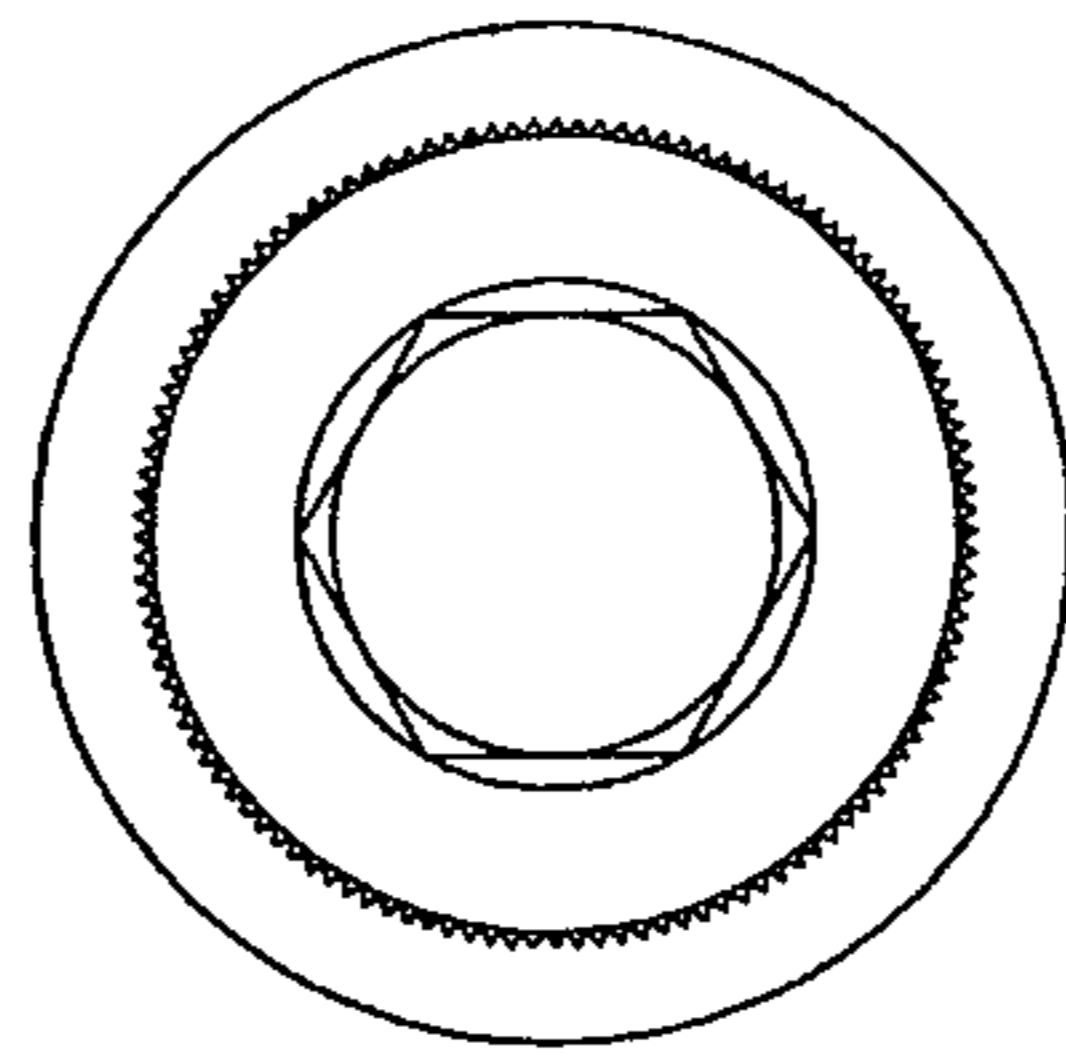


FIGURE 7

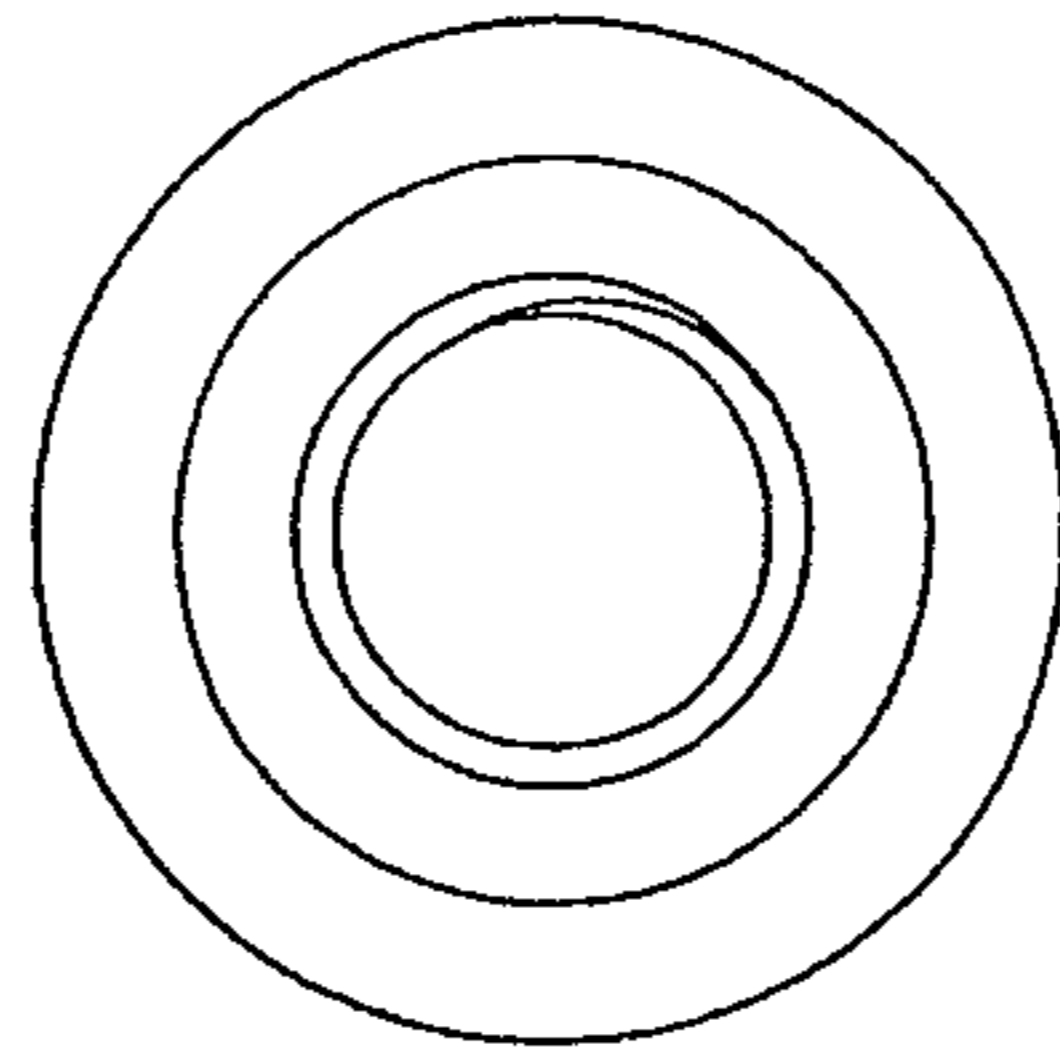


FIGURE 8