



US00D689759S

(12) **United States Design Patent**
Roberts, III et al.

(10) **Patent No.:** **US D689,759 S**

(45) **Date of Patent:** **** Sep. 17, 2013**

(54) **OVAL KEY BOW**

(56) **References Cited**

(75) Inventors: **Rockwood Theodore Roberts, III**,
Carmel, IN (US); **Ajeya Suratkal Rao**,
Mangalore (IN); **Kevin Earl David**,
Colorado Springs, CO (US); **Donald**
Paul Downs, Colorado Springs, CO
(US)

U.S. PATENT DOCUMENTS

1,707,642	A *	4/1929	Segal	70/406
3,349,589	A *	10/1967	Fricke	70/395
3,688,269	A *	8/1972	Miller	235/382
3,841,120	A *	10/1974	Gartner	70/395
D278,880	S *	5/1985	Widen	D8/347
D352,888	S *	11/1994	Carsello	D8/347
D357,622	S *	4/1995	Boutin	D8/347
D357,852	S *	5/1995	Shen	D8/347
D454,058	S *	3/2002	Davis	D9/600
D556,542	S *	12/2007	Wainwright	D8/347
D575,628	S *	8/2008	Strawn et al.	D8/347

(73) Assignee: **Schlage Lock Company LLC**,
Indianapolis, IN (US)

* cited by examiner

(**) Term: **14 Years**

Primary Examiner — Prabhakar Deshmukh

(21) Appl. No.: **29/425,145**

(74) *Attorney, Agent, or Firm* — Krieg DeVault LLP;
Clifford W. Browning

(22) Filed: **Jun. 20, 2012**

(57) **CLAIM**

The ornamental design for an oval key bow, as shown and described.

(51) **LOC (9) Cl.** **08-07**

(52) **U.S. Cl.**
USPC **D8/347**

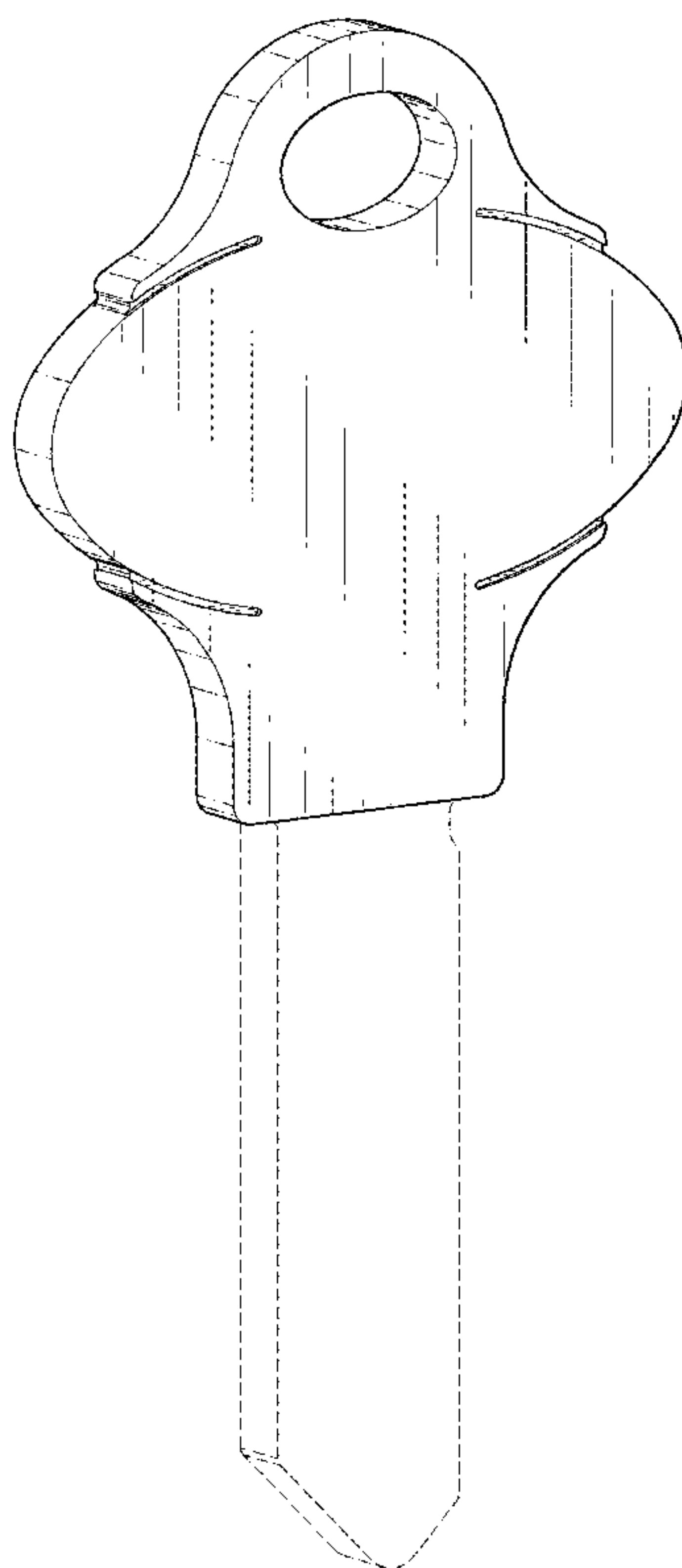
(58) **Field of Classification Search**
USPC D8/347, 348, 330; 70/51, 393, 401,
70/405–408, 450, 336, 345, 346, 265, 371,
70/271, 423–430, 344, 348, 382, 447, 448,
70/460, DIG. 47

See application file for complete search history.

DESCRIPTION

FIG. 1 is a front and left side perspective view of an oval key bow showing our new design;
FIG. 2 is a front view of the oval key bow of FIG. 1.
FIG. 3 is a right side view of the oval key bow of FIG. 1.
FIG. 4 is a left side view of the oval key bow of FIG. 1.
FIG. 5 is a top view of the oval key bow of FIG. 1.
FIG. 6 is a bottom view of the oval key bow of FIG. 1; and,
FIG. 7 is a rear view of the oval key bow of FIG. 1.

1 Claim, 4 Drawing Sheets



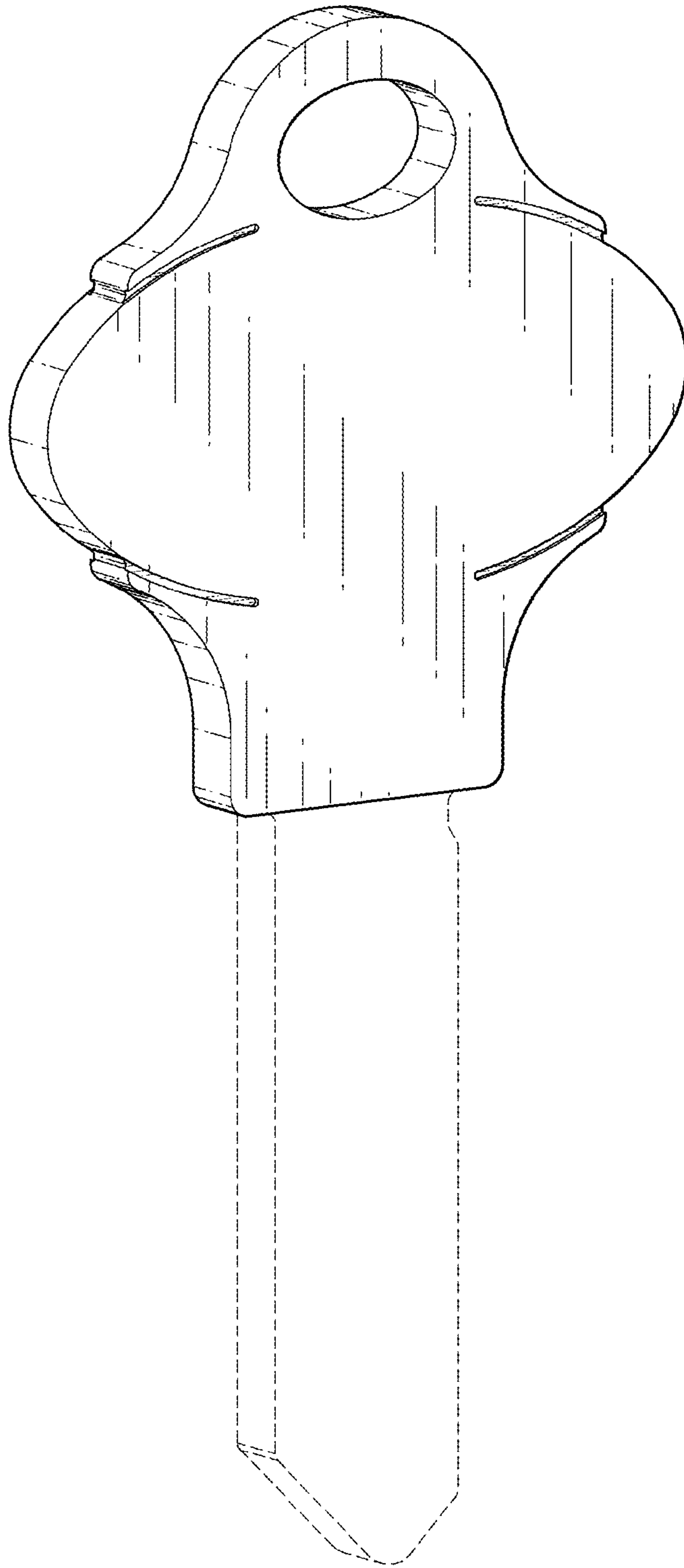


Fig. 1

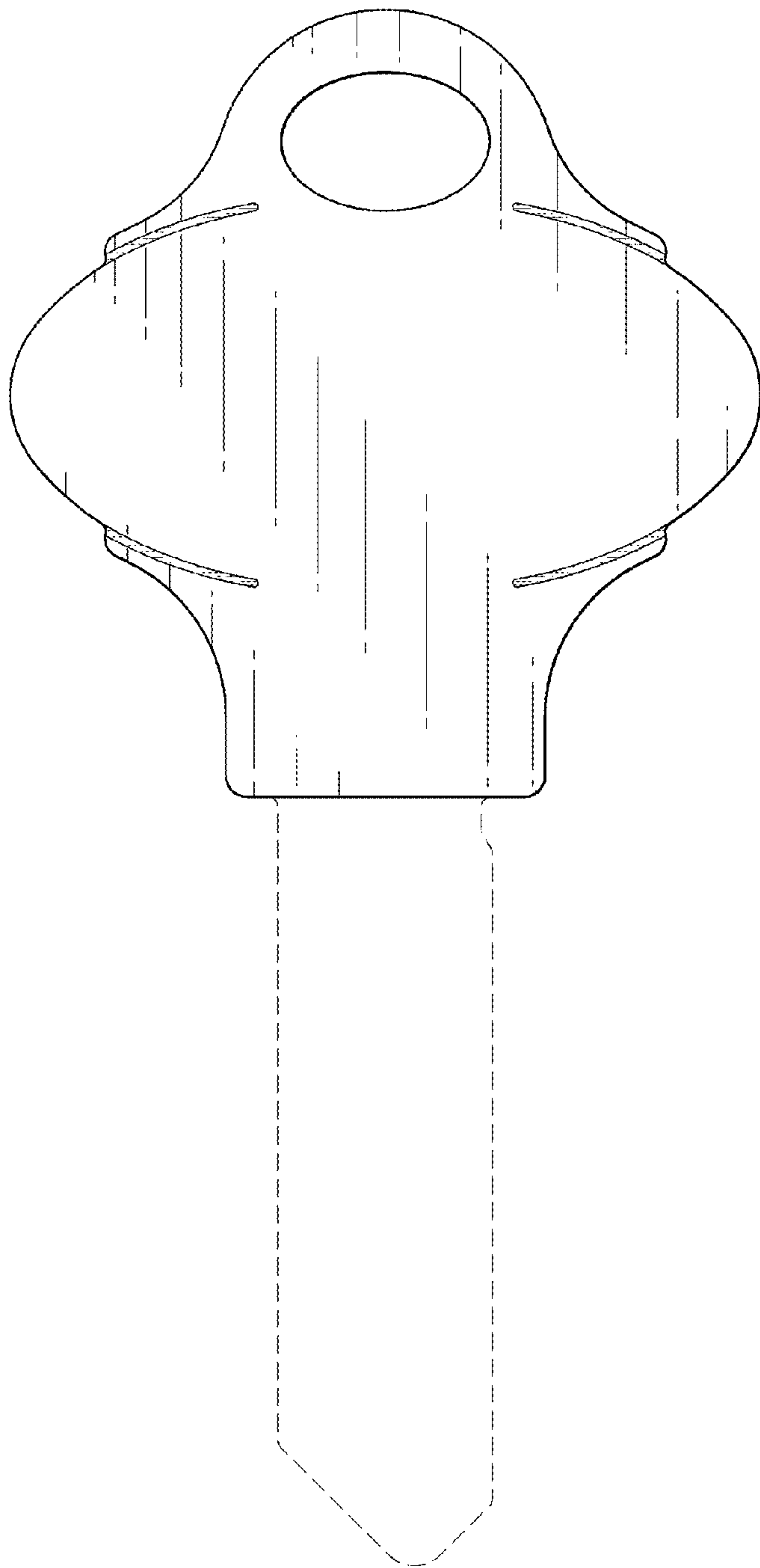
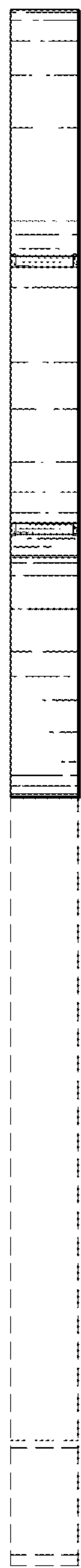


Fig. 4

Fig. 2

Fig. 3



Fig. 5

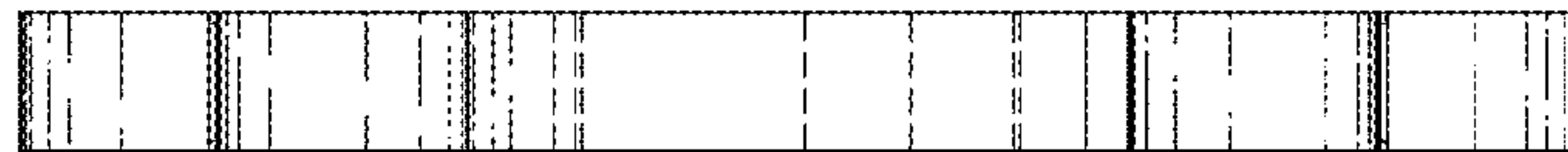


Fig. 6

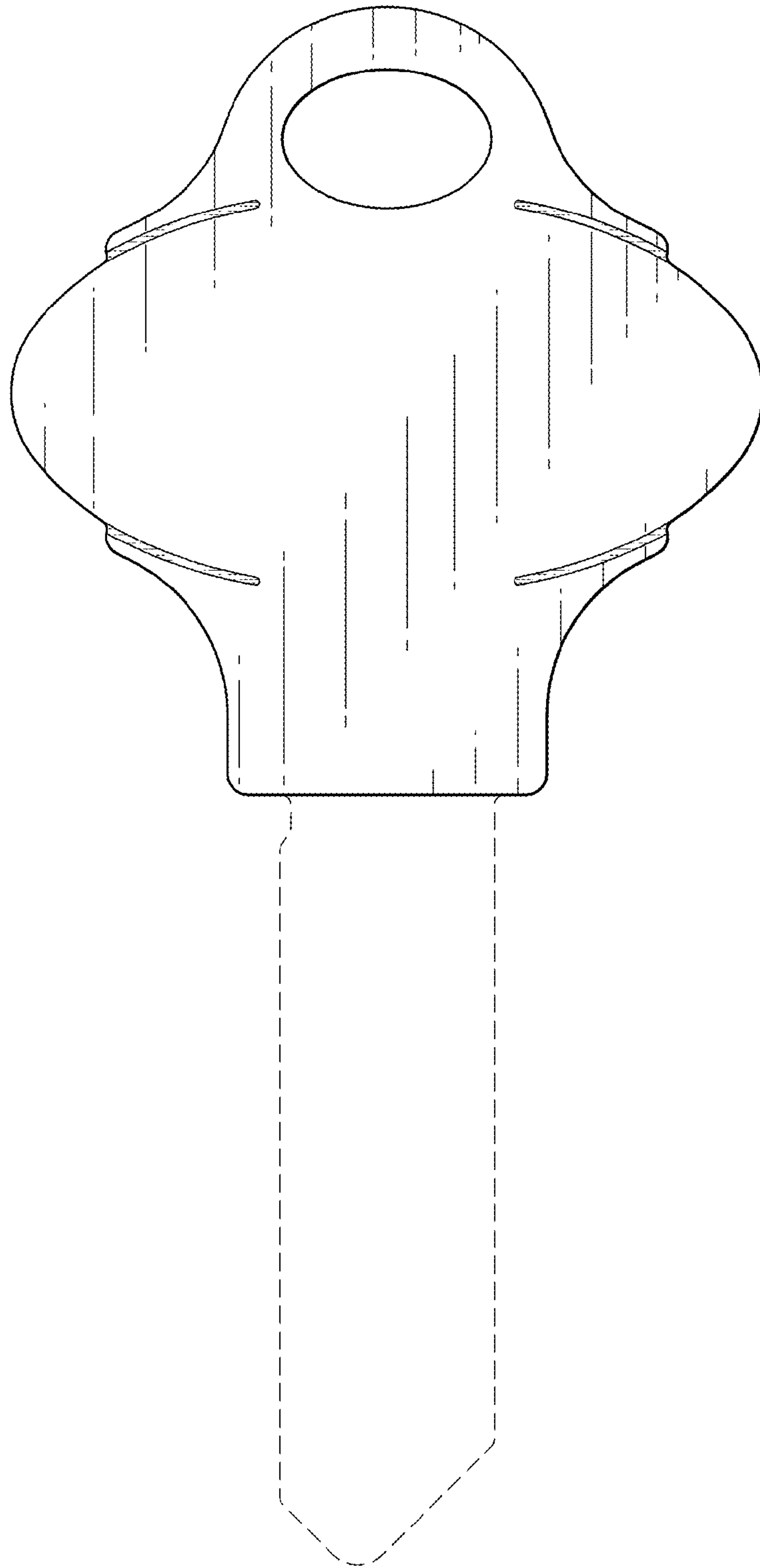


Fig. 7